



US00D978790S

(12) **United States Design Patent** (10) **Patent No.:** **US D978,790 S**
Steenwyk et al. (45) **Date of Patent:** **** Feb. 21, 2023**

(54) **ELECTRIC VEHICLE CHARGING STATION**

D935,393 S * 11/2021 Emi D13/107
D938,348 S * 12/2021 Long D13/107
D938,349 S * 12/2021 Minky D13/107

(71) Applicant: **Rivian IP Holdings, LLC**, Plymouth, MI (US)

(Continued)

(72) Inventors: **Elizabeth K. Steenwyk**, Detroit, MI (US); **Mitchell Silva**, Boston, MA (US)

OTHER PUBLICATIONS

Charging Stations. (Design—© Questel) orbit.com. [Online PDF compilation of references] 50 pgs. Print Dates Range Mar. 31, 2020-Mar. 10, 2021 [Retrieved Jun. 30, 2022].*

(73) Assignee: **Rivian IP Holdings, LLC**, Irvine, CA (US)

(Continued)

(**) Term: **15 Years**

Primary Examiner — George D. Kirschbaum

(21) Appl. No.: **29/774,738**

Assistant Examiner — Suzanne E Tisdell

(22) Filed: **Mar. 18, 2021**

(74) *Attorney, Agent, or Firm* — Clements Bernard

(51) **LOC (14) Cl.** **13-02**

Walker; Christopher L. Bernard

(52) **U.S. Cl.**
USPC **D13/107**

(57) **CLAIM**

We claim the ornamental design for an electric vehicle charging station, as shown and described.

(58) **Field of Classification Search**
USPC D13/103, 107, 108, 109, 110, 112, 118, D13/119, 120, 122, 146, 184, 199
CPC Y02E 60/12; H02J 7/025; H02J 7/0042; H02J 7/0044; H02J 7/0045; H02J 7/0003; H02J 7/0027; H02J 7/0013; H02J 7/0054; H02J 7/00; H02J 2001/008; H02J 3/32; H02J 3/008; H01F 38/14; H01R 13/6675; H01M 2/1022; H01M 2/1055; H01M 10/44; H01M 10/46; H01M 10/425; B60L 11/182; B60L 11/1809; B60L 11/1861; B60R 16/03

DESCRIPTION

See application file for complete search history.

FIG. 1 is a perspective view of an electric vehicle charging station.

FIG. 2 is a front elevation view of the electric vehicle charging station of FIG. 1.

FIG. 3 is a rear elevation view of the electric vehicle charging station of FIG. 1.

FIG. 4 is a left side elevation view of the electric vehicle charging station of FIG. 1.

FIG. 5 is a right side elevation view of the electric vehicle charging station of FIG. 1.

FIG. 6 is a top plan view of the electric vehicle charging station of FIG. 1; and,

FIG. 7 is a bottom plan view of the electric vehicle charging station of FIG. 1.

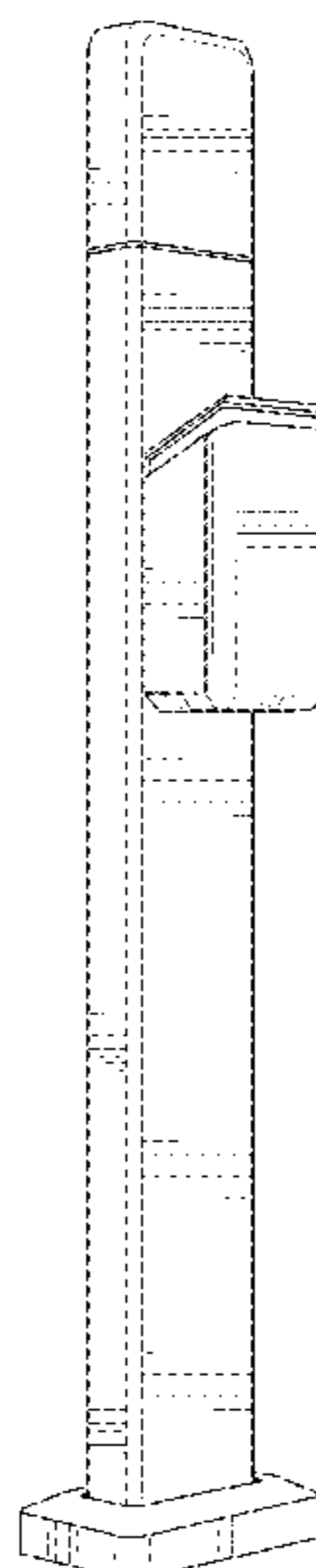
Features shown are of an electric vehicle charging station. Broken lines included in the figures show portions of the electric vehicle charging station that form no part of the claimed design.

(56) **References Cited**

U.S. PATENT DOCUMENTS

D771,562 S * 11/2016 Dolle D13/107
D799,421 S * 10/2017 Hernandez D13/107
D833,387 S * 11/2018 Baxter D13/107
D892,725 S * 8/2020 Baxter D13/107
D934,167 S * 10/2021 Van-Der-Veer D13/107
D934,792 S * 11/2021 Emi D13/107

1 Claim, 4 Drawing Sheets



(56)

References Cited

U.S. PATENT DOCUMENTS

D947,776 S * 4/2022 Semboloni D13/108
D948,423 S * 4/2022 Bluemle D13/107
D948,425 S * 4/2022 Emi D13/107
D950,485 S * 5/2022 Mercer D13/107

OTHER PUBLICATIONS

Eisenstein, Paul A. Electric car charging networks jostle for pole position amid Biden's push to electrify. May 18, 2021. NBC News. <https://www.nbcnews.com/business/business-news/electric-car-charging-networks-jostle-pole-position-amid-biden-s-n1269972>.*

Motavalli, Jim. Not Nearly Enough Money for EV Charging in the Infrastructure Bill. Aug. 23, 2021. Autoweek, <https://www.autoweek.com/news/a37372003/federal-money-for-ev-charging-wont-be-enough/>.*

Lambert, Fred. First 'ultra-fast' electric car charging station comes online in Europe. Dec. 21, 2017. Electrek. <https://electrek.co/2017/12/21/first-ultra-fast-electric-car-charging-station-europe/>.*

* cited by examiner

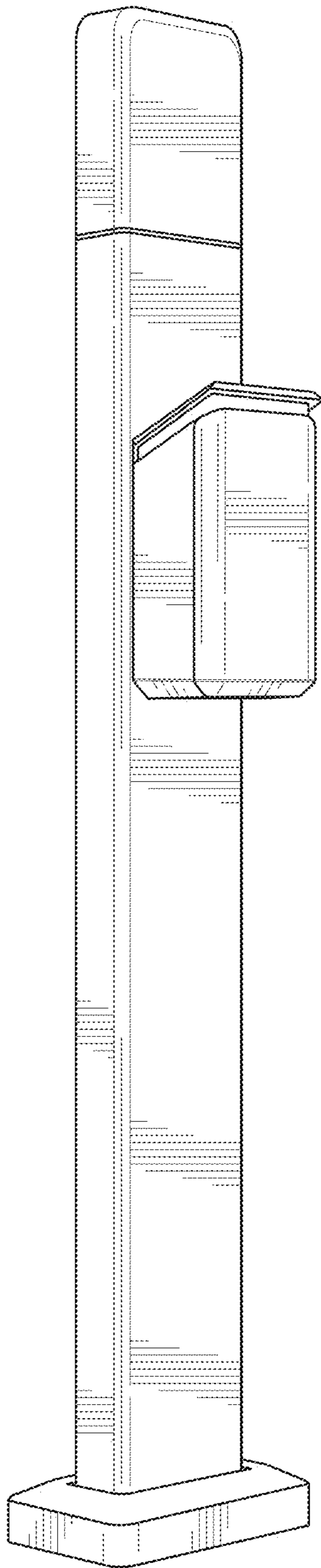


FIG. 1

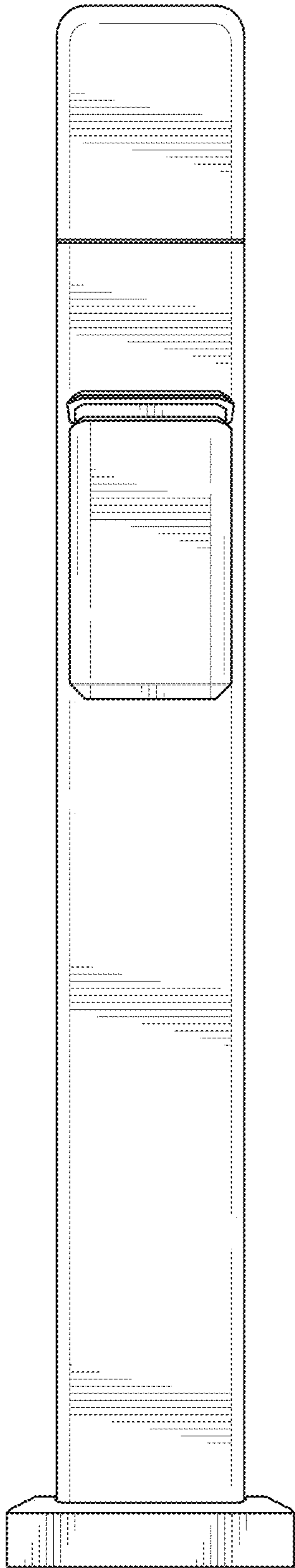


FIG. 2

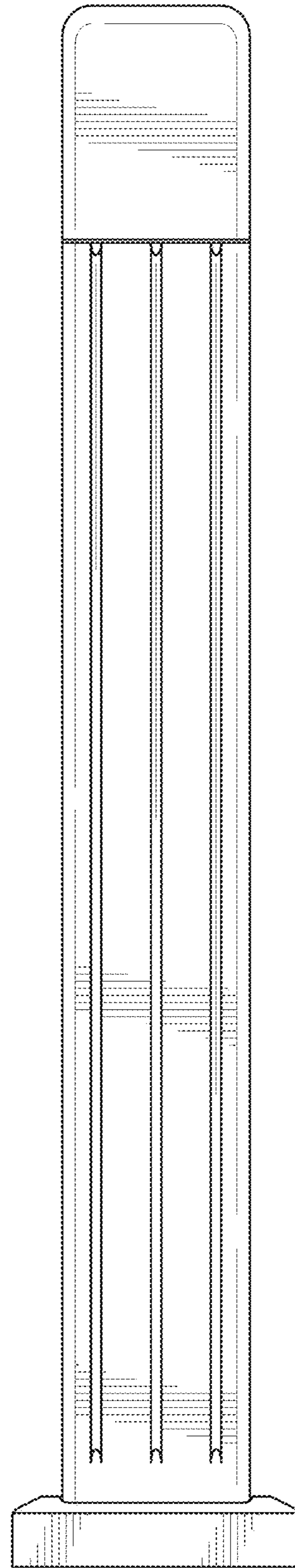


FIG. 3

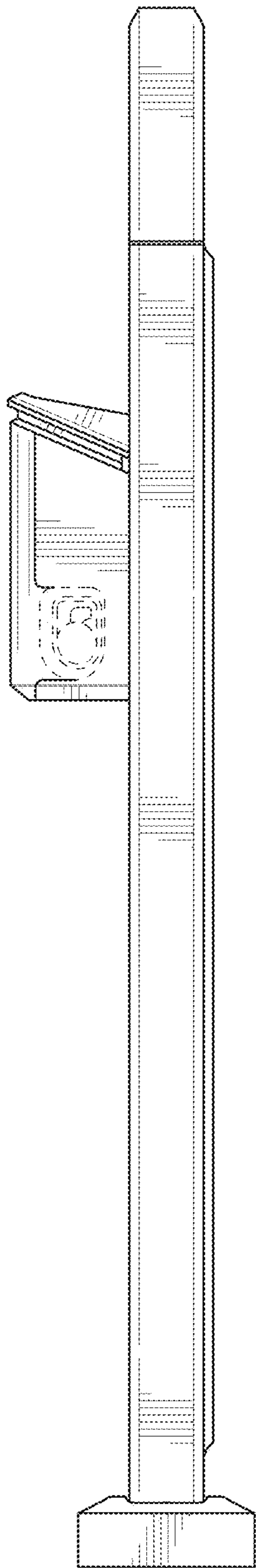


FIG. 4

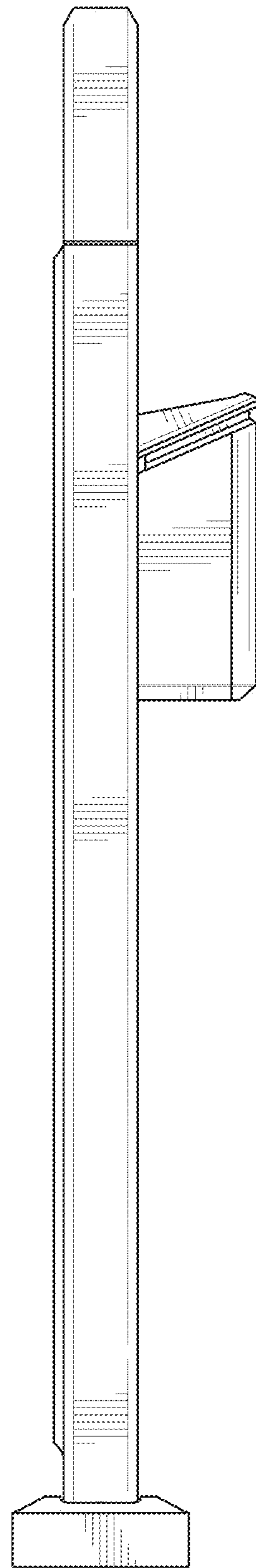


FIG. 5

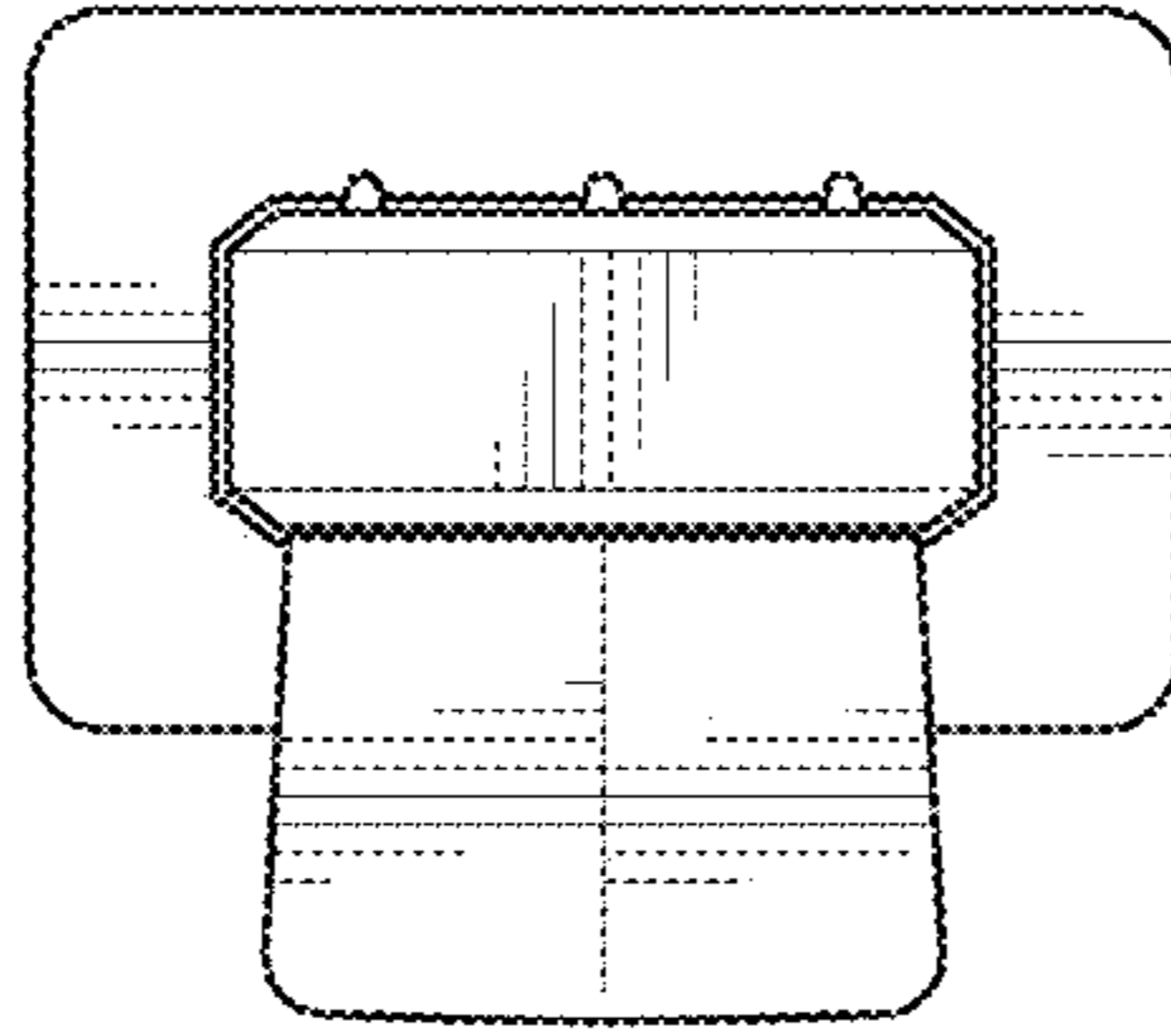


FIG. 6

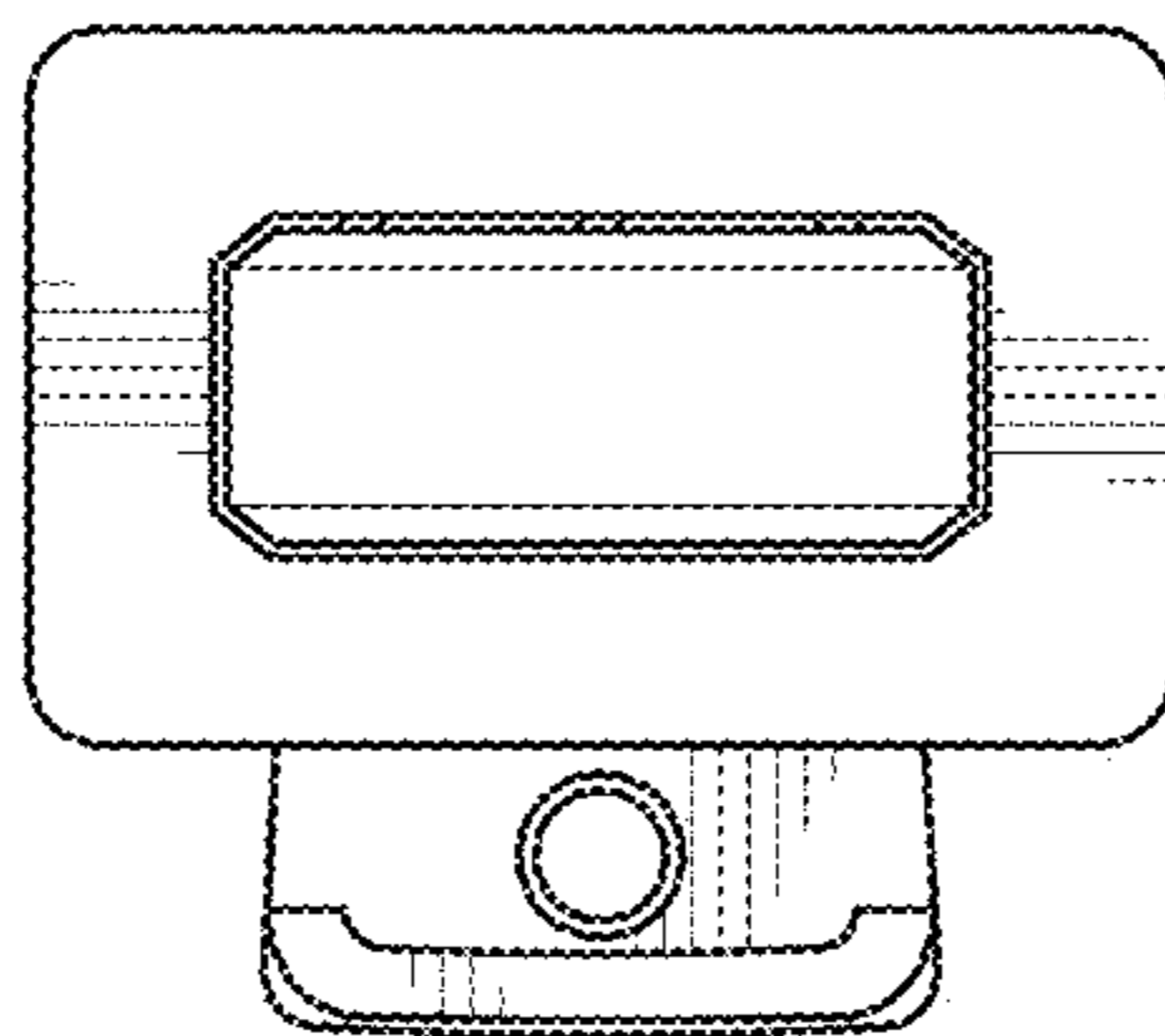


FIG. 7