



US00D978784S

(12) **United States Design Patent**
Starkey

(10) **Patent No.:** **US D978,784 S**

(45) **Date of Patent:** **** Feb. 21, 2023**

- (54) **BATTERY EXPANSION MODULE**
- (71) Applicant: **Halo2Cloud LLC**, Hartford, CT (US)
- (72) Inventor: **Troy Starkey**, Hartford, CT (US)
- (73) Assignee: **BOLLINGER INDUSTRIES, INC.**,
Roanoke, TX (US)
- (**) Term: **15 Years**
- (21) Appl. No.: **29/758,160**
- (22) Filed: **Nov. 12, 2020**
- (51) **LOC (14) Cl.** **13-02**
- (52) **U.S. Cl.**
USPC **D13/103; D13/107**
- (58) **Field of Classification Search**
USPC D13/107-110, 118-119, 184; D14/251,
D14/253, 432, 434
CPC Y02T 90/14; H02J 7/025; H02J 7/0042;
H02J 7/0044; H02J 7/0045; H02J 7/0003;
H01F 38/14; H01R 13/6675; H01M
10/44; H01M 10/46; H01M 10/425
See application file for complete search history.

- (56) **References Cited**
U.S. PATENT DOCUMENTS
D303,524 S * 9/1989 Siegner D13/103
D471,514 S * 3/2003 Jacober D13/103
D490,370 S * 5/2004 Picardo D13/103
D515,026 S * 2/2006 Schlieffers D13/103
D533,831 S * 12/2006 Kim D13/103
D706,211 S * 6/2014 Taylor D13/103

- D727,254 S * 4/2015 Kinoshita D13/103
- D762,565 S * 8/2016 Akana D13/103
- D797,044 S * 9/2017 Miller D13/108
- D832,211 S * 10/2018 Ladd D13/184
- D877,063 S * 3/2020 Hung D13/103
- D889,394 S * 7/2020 Galbraith D13/103
- D919,561 S * 5/2021 Jansen D13/103

* cited by examiner

Primary Examiner — Nathaniel D. Buckner
(74) *Attorney, Agent, or Firm* — Lathrop GPM LLP;
William T. Griffith

(57) **CLAIM**

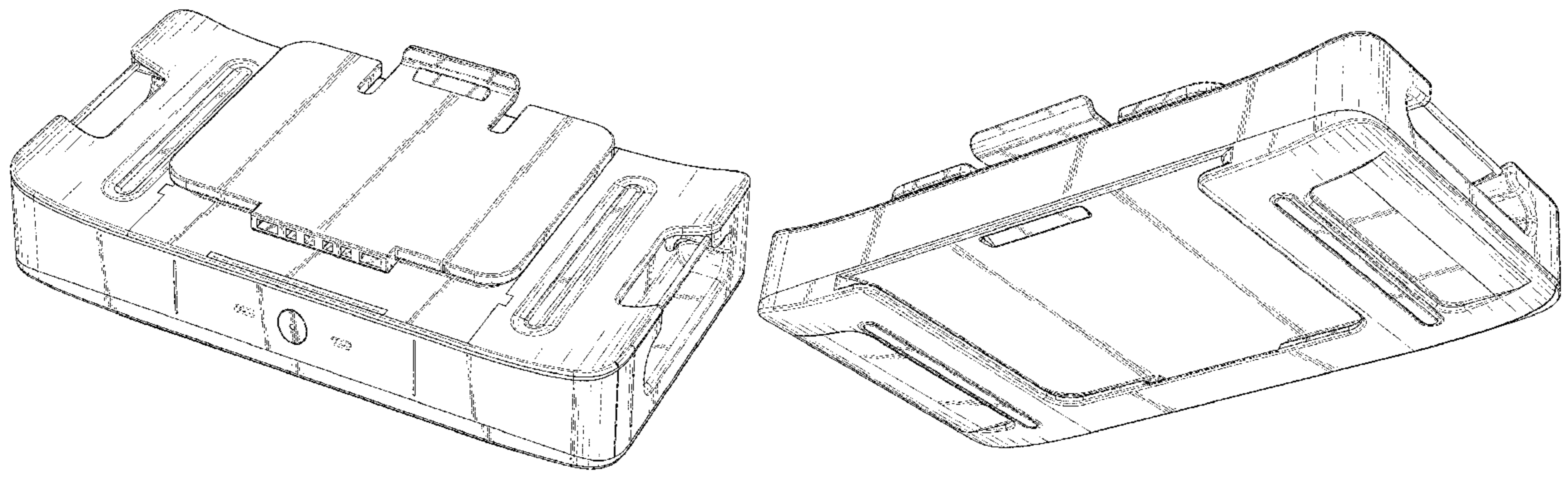
The ornamental design for a battery expansion module, as shown and described.

DESCRIPTION

FIG. 1 is a front, top, right-hand perspective view of a battery expansion module comprising a new, original and ornamental design;
FIG. 2 is a front, top, left-hand perspective view thereof;
FIG. 3 is a rear, bottom, left-hand perspective view thereof;
FIG. 4 is a rear, bottom, right-hand perspective view thereof;
FIG. 5 is a front planar view thereof;
FIG. 6 is a rear planar view thereof;
FIG. 7 is a left-hand side planar view thereof;
FIG. 8 is a right-hand side planar view thereof;
FIG. 9 is a top planar view thereof; and,
FIG. 10 is a bottom planar view thereof.

The broken line portions of the drawings are included for the purpose of illustrating portions of the article that form no part of the claimed design.

1 Claim, 6 Drawing Sheets



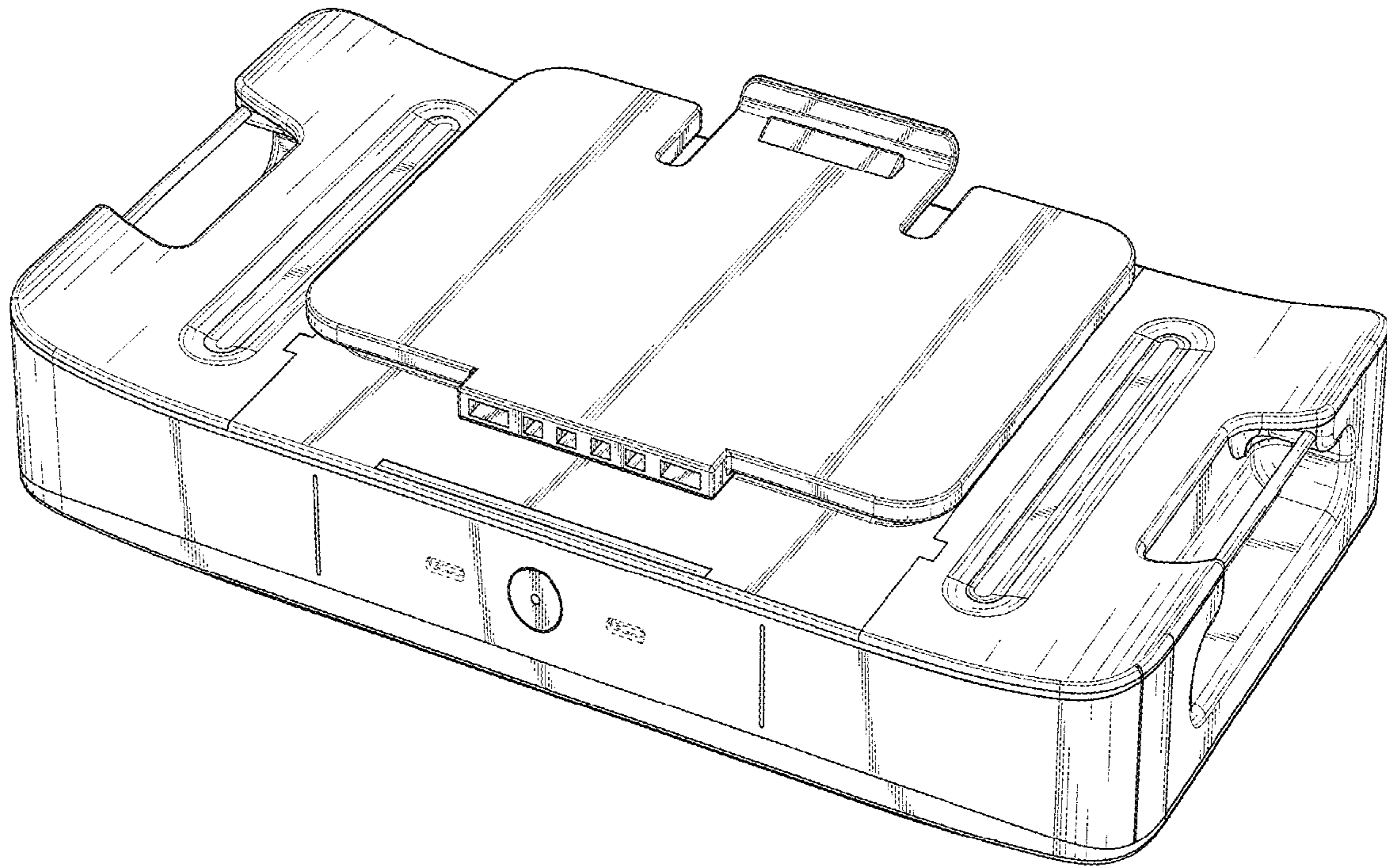


FIG. 1

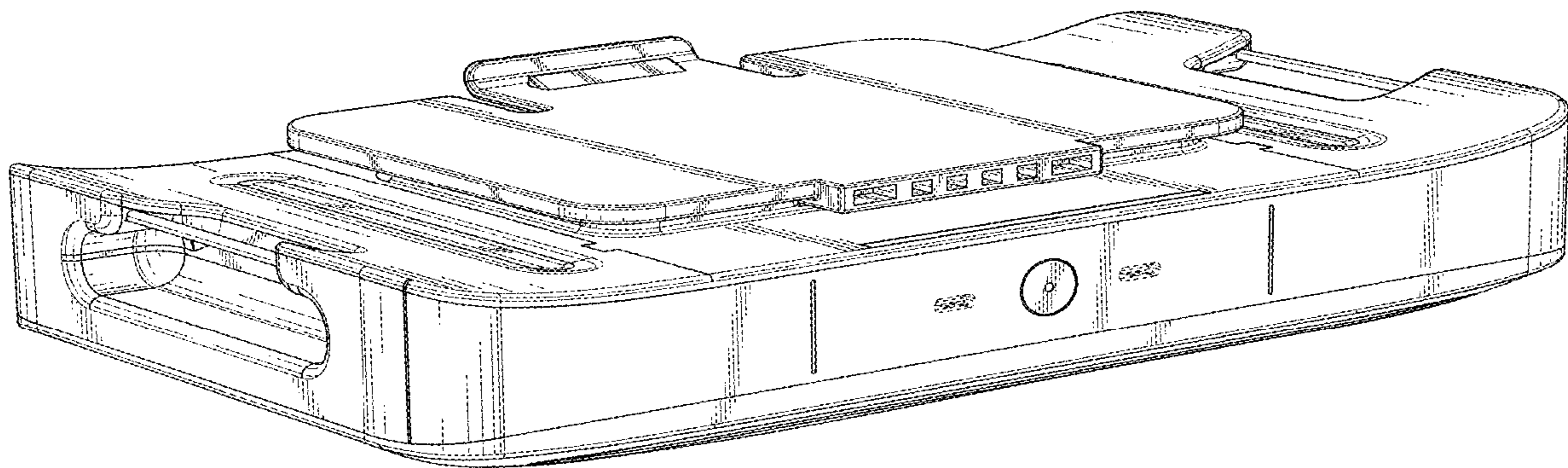


FIG. 2

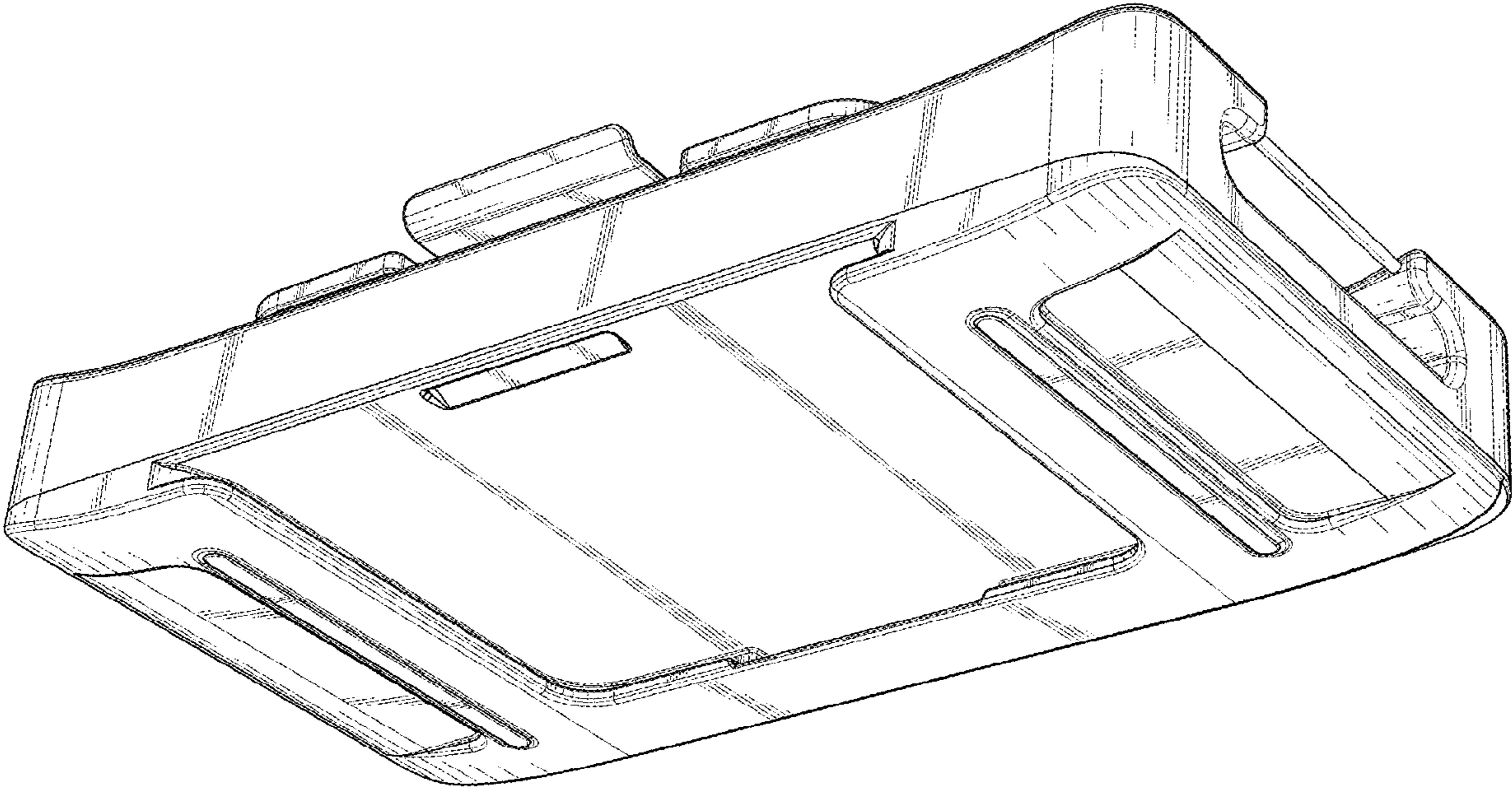


FIG. 3

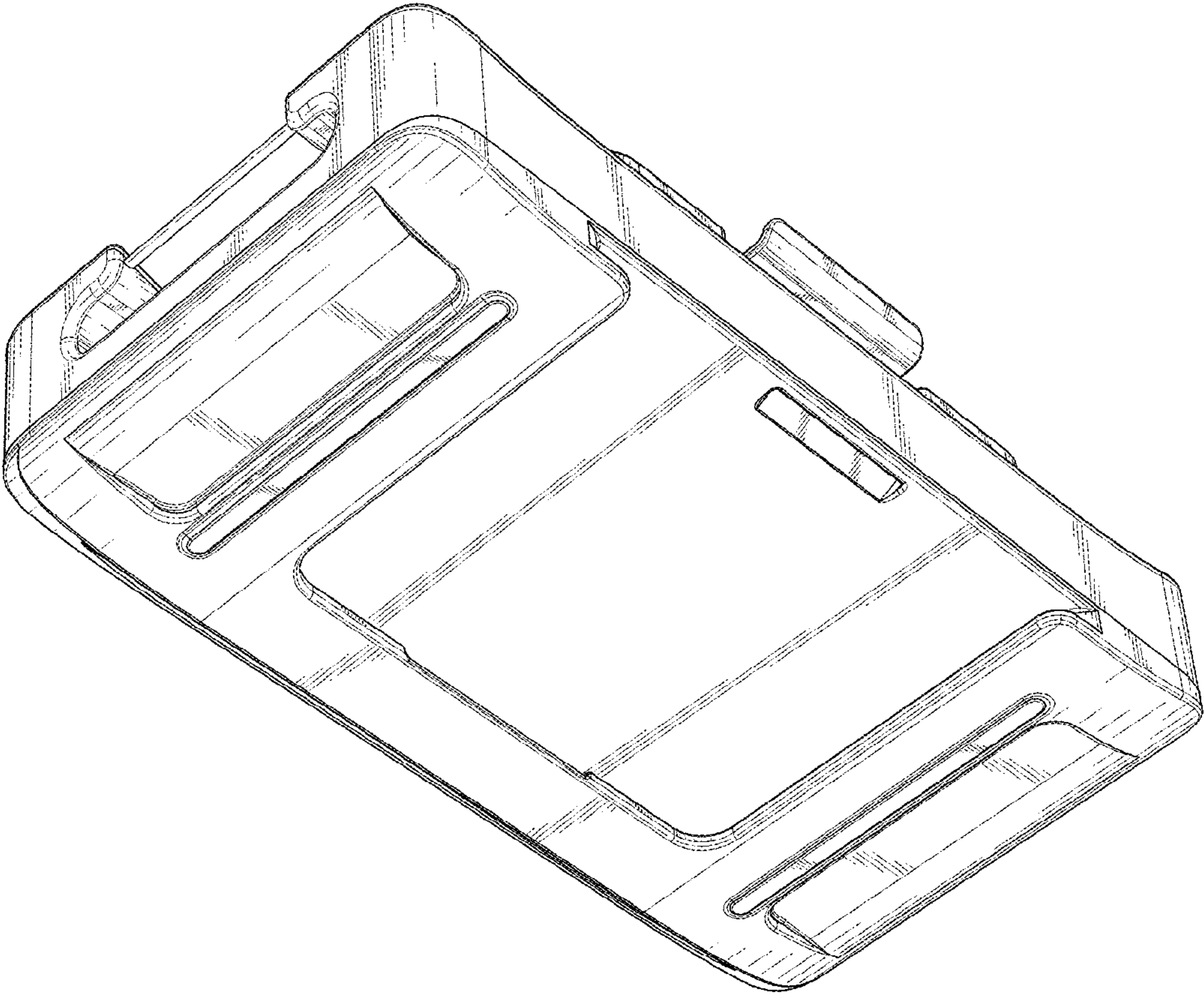


FIG. 4

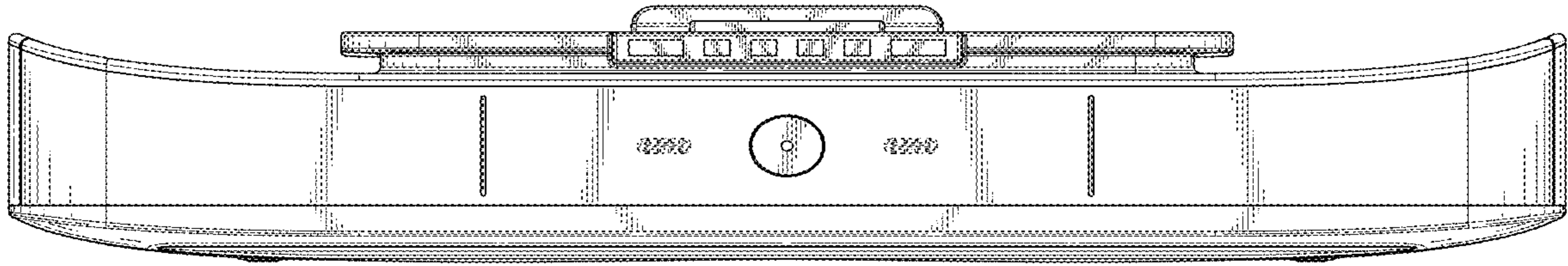


FIG. 5

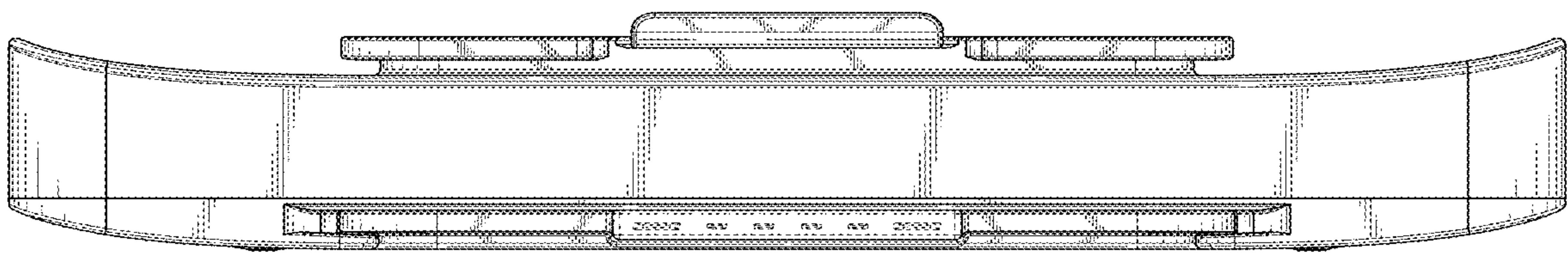


FIG. 6

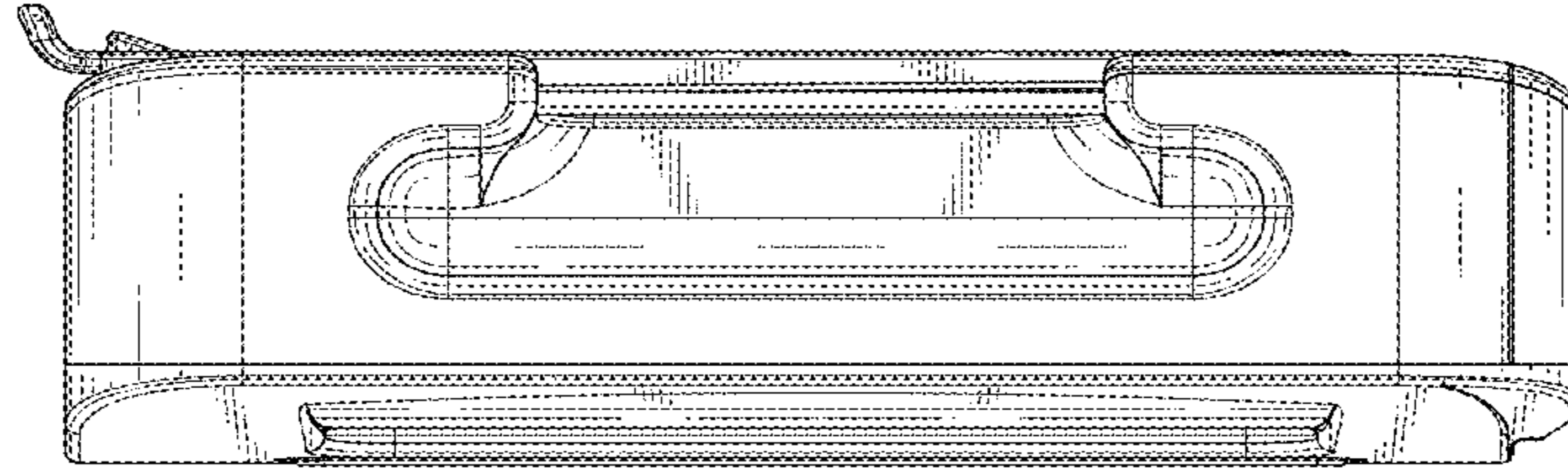


FIG. 7

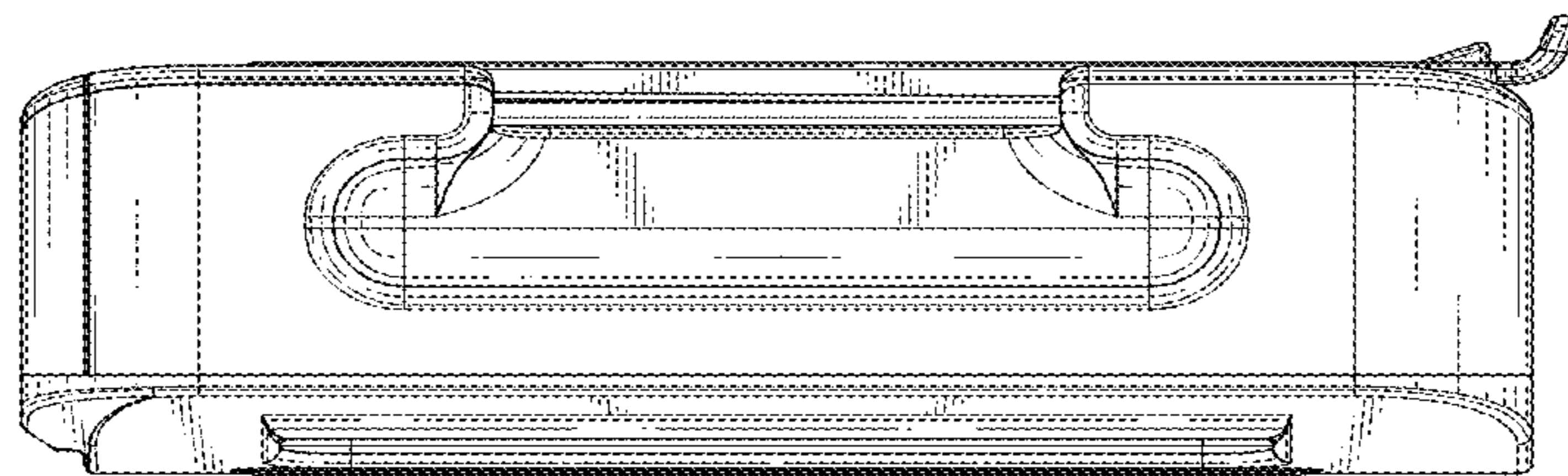


FIG. 8

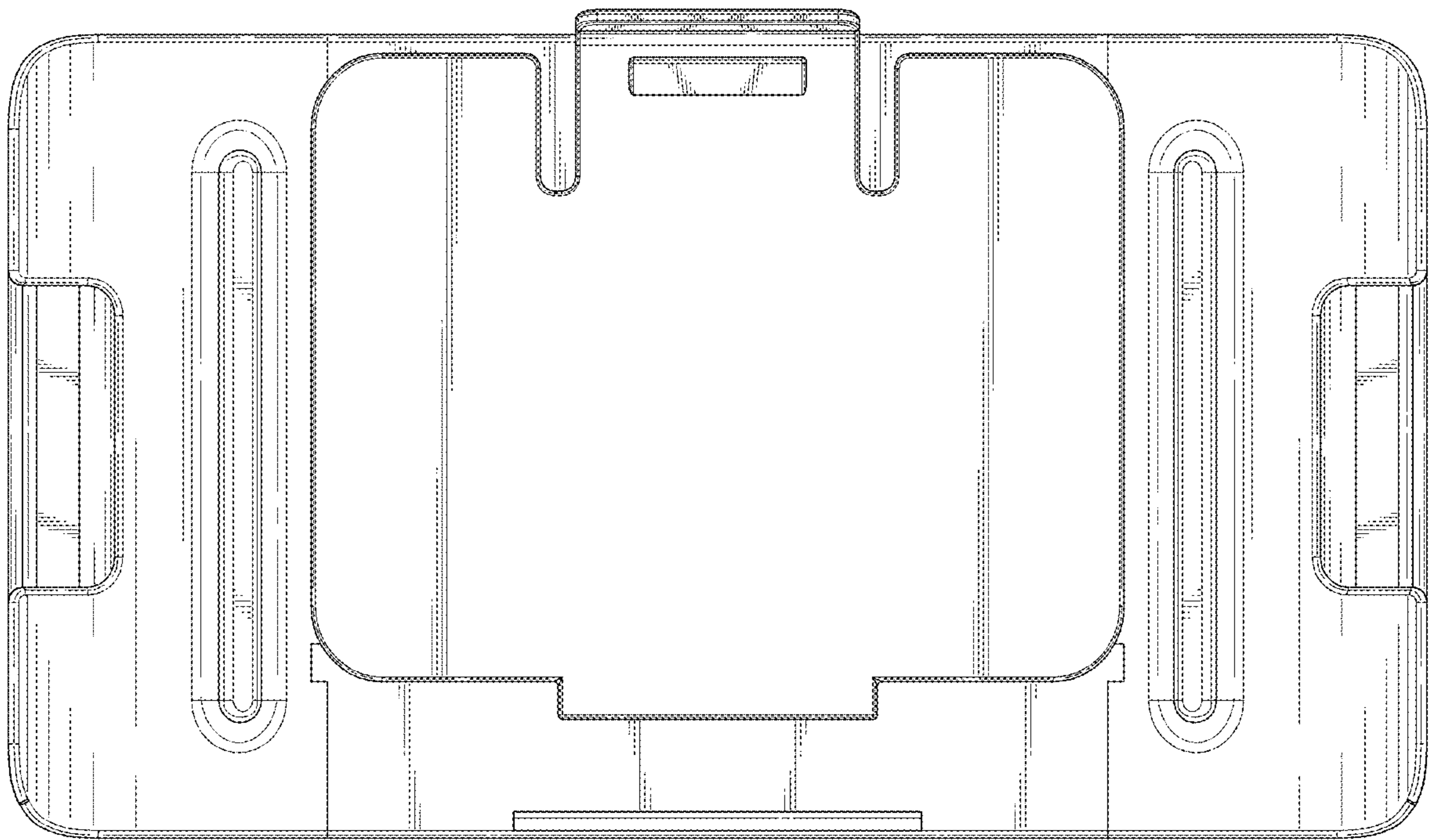


FIG. 9

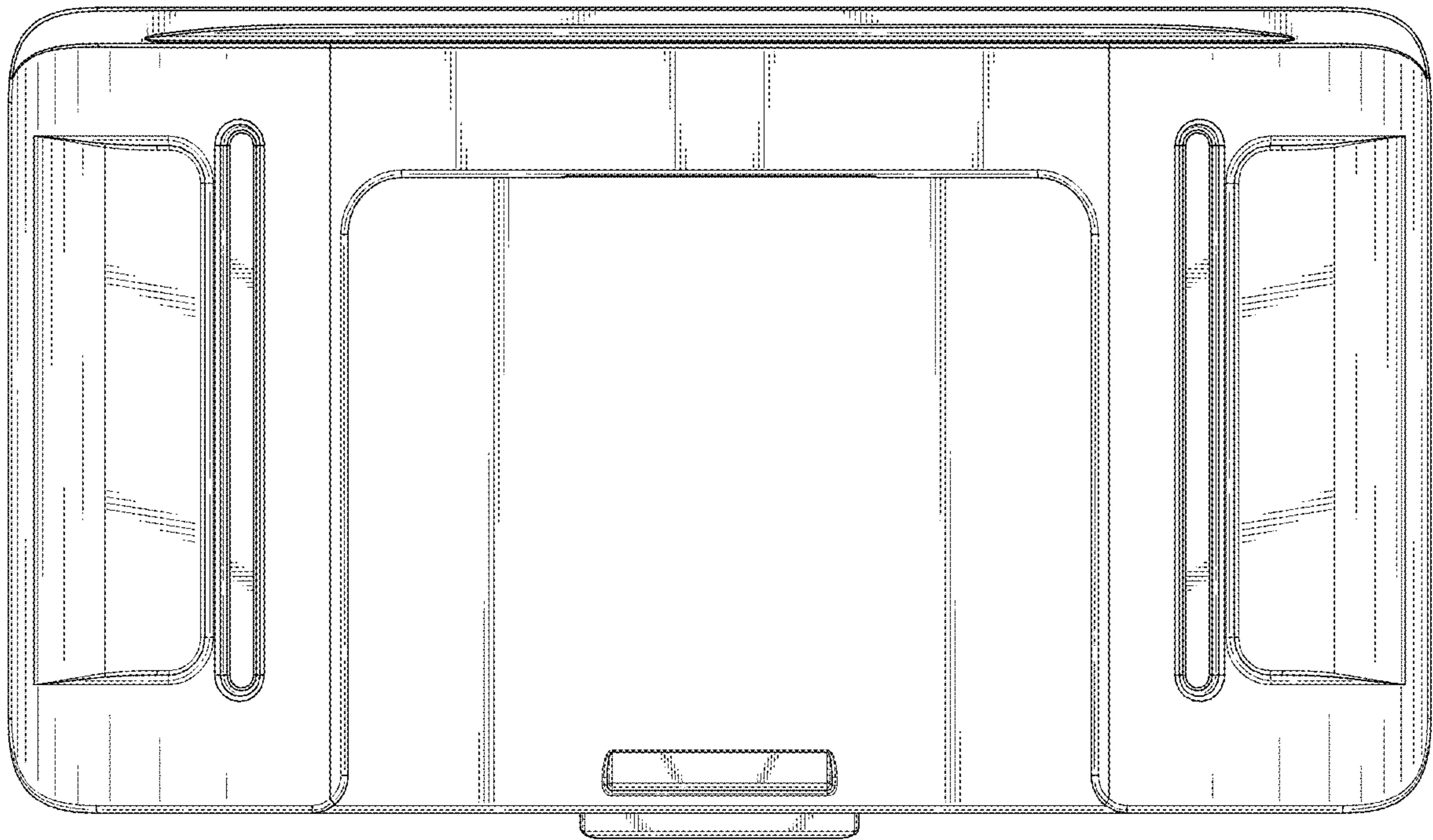


FIG. 10