



US00D978782S

(12) **United States Design Patent** (10) **Patent No.:** **US D978,782 S**  
**Donati et al.** (45) **Date of Patent:** **\*\* Feb. 21, 2023**

(54) **BATTERY PACK**  
(71) Applicant: **Ariens Company**, Brillion, WI (US)  
(72) Inventors: **Andrew L. Donati**, Appleton, WI (US);  
**Michael J. Holeton**, Kaukauna, WI (US); **Jason Dong**, Woodridge, IL (US);  
**Brian Vickery**, Woodridge, IL (US); **William Tenorio**, Woodridge, IL (US);  
**Scot A. Koehler**, Appleton, WI (US)  
(73) Assignee: **Ariens Company**, Brillion, WI (US)

D762,165 S \* 7/2016 Rowe ..... D13/103  
D768,085 S 10/2016 Yokoyama  
D769,196 S 10/2016 Yokoyama  
D774,462 S 12/2016 Omodachi et al.  
D792,854 S 7/2017 Ashibu  
D795,813 S 8/2017 Goto et al.  
D815,039 S \* 4/2018 Wen ..... D13/110  
D816,043 S 4/2018 Ashibu et al.  
D820,197 S \* 6/2018 Luke ..... D13/103  
D826,166 S 8/2018 Yayoshi  
D834,523 S 11/2018 Bingham  
D834,524 S 11/2018 Yayoshi  
D835,047 S 12/2018 Bingham

(Continued)

(\*\*) Term: **15 Years**

FOREIGN PATENT DOCUMENTS

(21) Appl. No.: **29/751,196**

WO 2019/129045 A1 7/2019  
WO 2019/129129 A1 7/2019  
WO 2020/019687 A1 1/2020

(22) Filed: **Sep. 18, 2020**

(51) **LOC (14) Cl.** ..... **13-02**

*Primary Examiner* — Nathaniel D. Buckner

(52) **U.S. Cl.**  
USPC ..... **D13/103**

(74) *Attorney, Agent, or Firm* — Michael Best & Friedrich LLP

(58) **Field of Classification Search**  
USPC ..... D13/102–106, 110, 118–119, 184  
CPC . Y02E 60/10; H01M 2220/30; H01M 50/209;  
H01M 50/213; H01M 50/183; H01M  
50/10; H01M 50/529; H01M 50/531;  
H01M 10/0525; H01M 10/0436; H01M  
10/052; H01M 10/0565; H01M 10/30;  
H01M 10/345; H01M 10/425; H01M  
2010/0495; B25F 5/02; B25F 5/00; A61B  
2017/00734

(57) **CLAIM**

We claim the ornamental design for a battery pack, as shown.

See application file for complete search history.

**DESCRIPTION**

FIG. 1 is a perspective view of a battery pack showing our new design;  
FIG. 2 is a first side view thereof;  
FIG. 3 is a second side view thereof;  
FIG. 4 is a front view thereof;  
FIG. 5 is a rear view thereof;  
FIG. 6 is a top view thereof; and,  
FIG. 7 is a bottom view thereof.

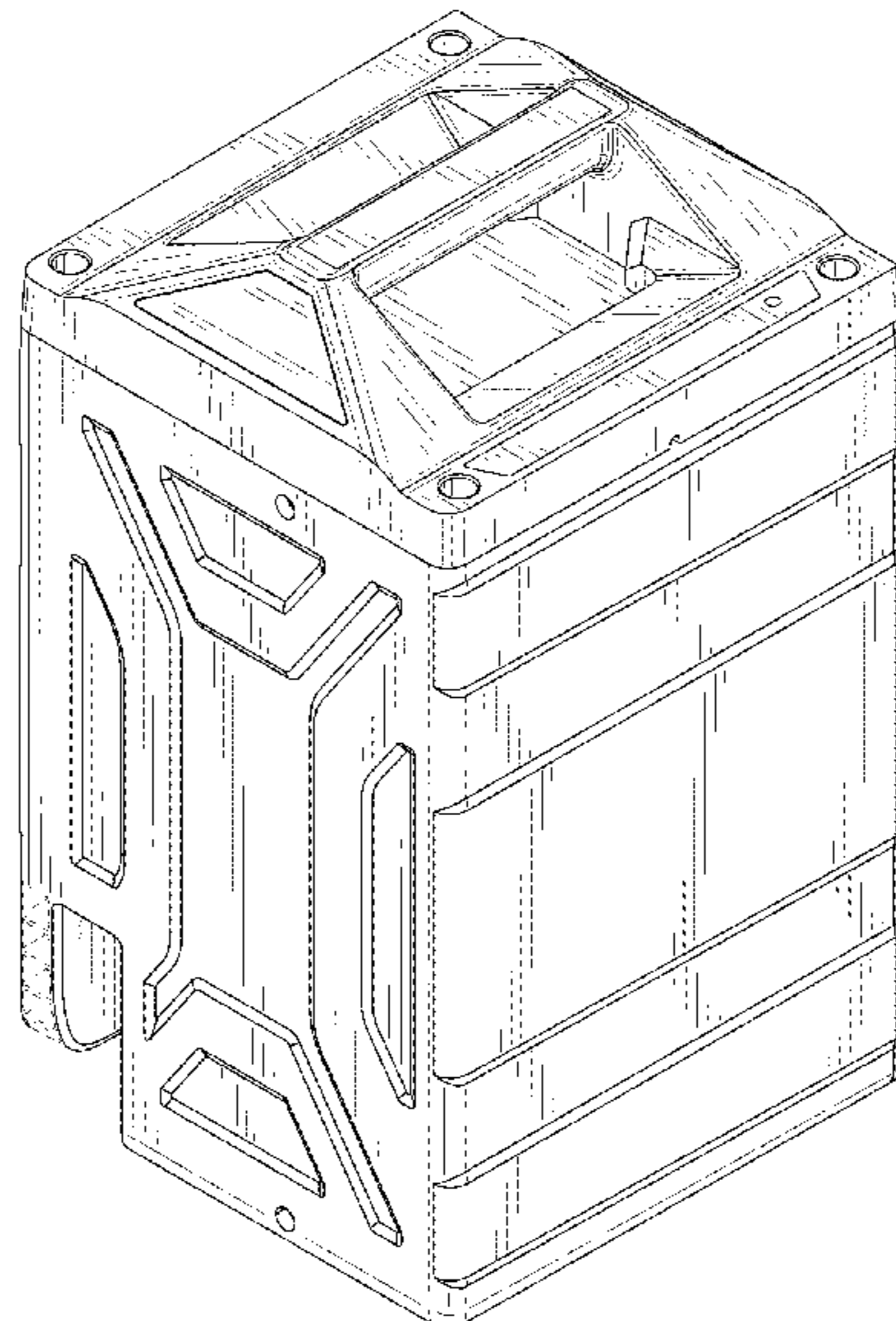
The broken lines shown in the drawings are included for the purpose of illustrating portions of the article that form no part of the claimed design.

(56) **References Cited**

U.S. PATENT DOCUMENTS

D503,682 S 4/2005 Tanaka et al.  
D582,416 S \* 12/2008 Duarte ..... D14/496  
D695,692 S 12/2013 Takenaga et al.  
D733,058 S 6/2015 Miyazaki  
D739,826 S 9/2015 Omodachi et al.  
D745,848 S 12/2015 Kobuchi et al.

**1 Claim, 7 Drawing Sheets**



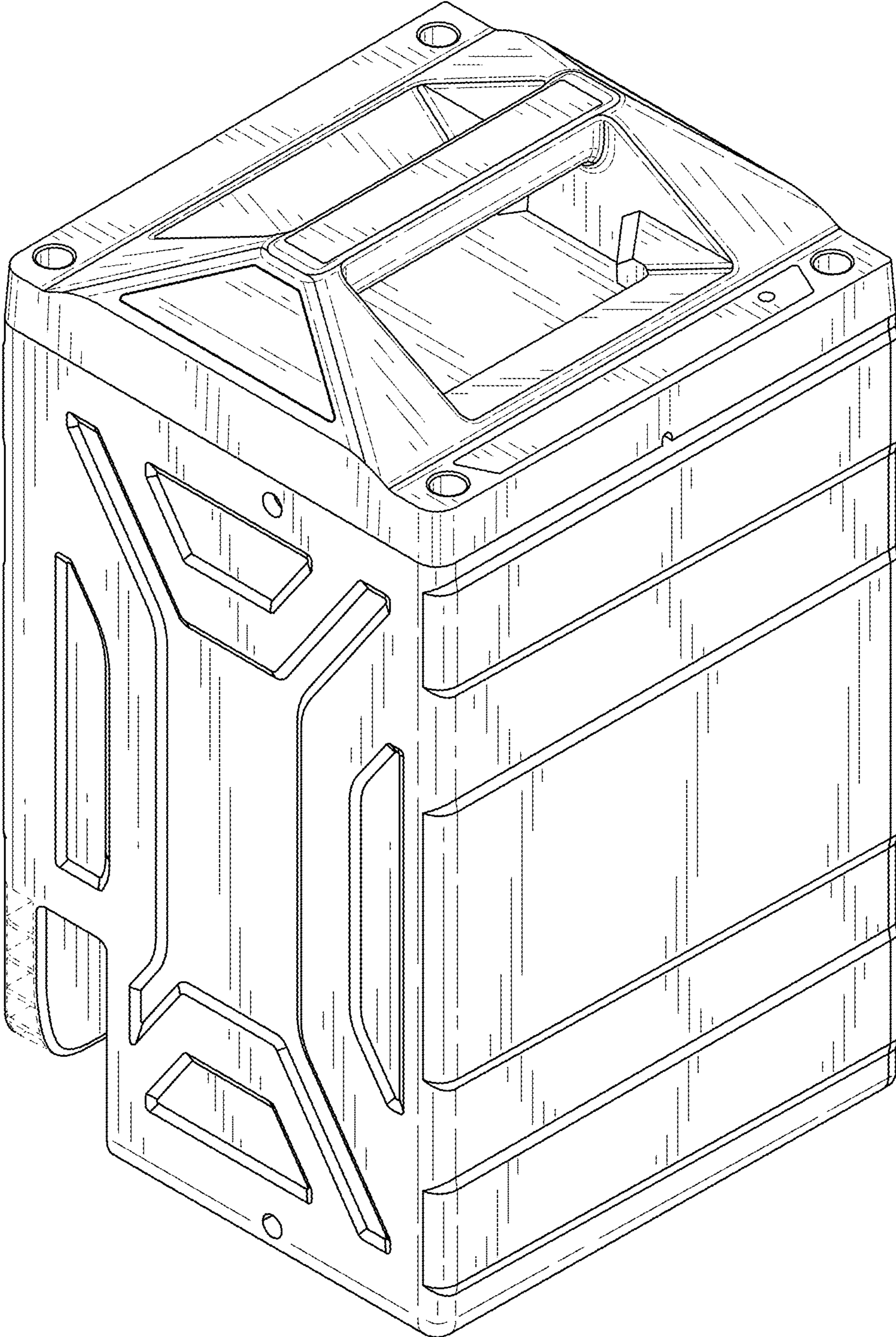
(56)

**References Cited**

U.S. PATENT DOCUMENTS

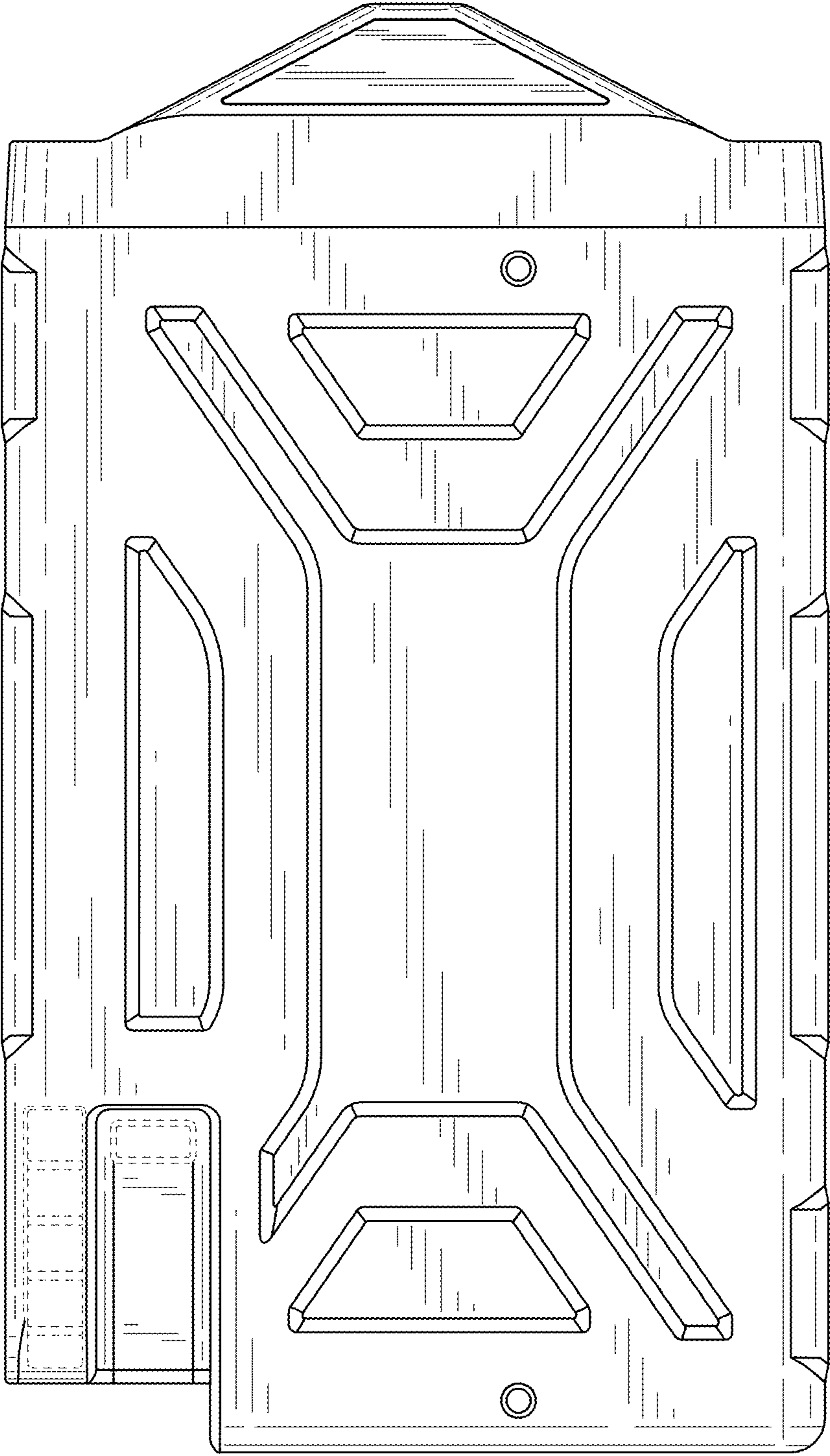
D846,494 S \* 4/2019 Takahashi ..... D13/103  
D876,368 S 2/2020 Yokoyama  
D882,510 S \* 4/2020 Theis ..... D13/103  
D887,357 S \* 6/2020 Liao ..... D13/110  
D900,022 S \* 10/2020 Bell ..... D13/103  
D904,976 S \* 12/2020 Stoermer ..... D13/103  
D907,581 S 1/2021 Ishida  
D911,957 S \* 3/2021 Sun ..... D13/103  
D932,433 S \* 10/2021 Tang ..... D13/110  
11,217,852 B2 \* 1/2022 Matsumoto ..... B60K 1/04  
D942,928 S \* 2/2022 Yi ..... D13/103  
2019/0075724 A1 3/2019 Becke et al.  
2019/0160972 A1 5/2019 Zeiler et al.  
2019/0291779 A1 9/2019 Zeiler et al.  
2020/0315095 A1 10/2020 Liu et al.

\* cited by examiner

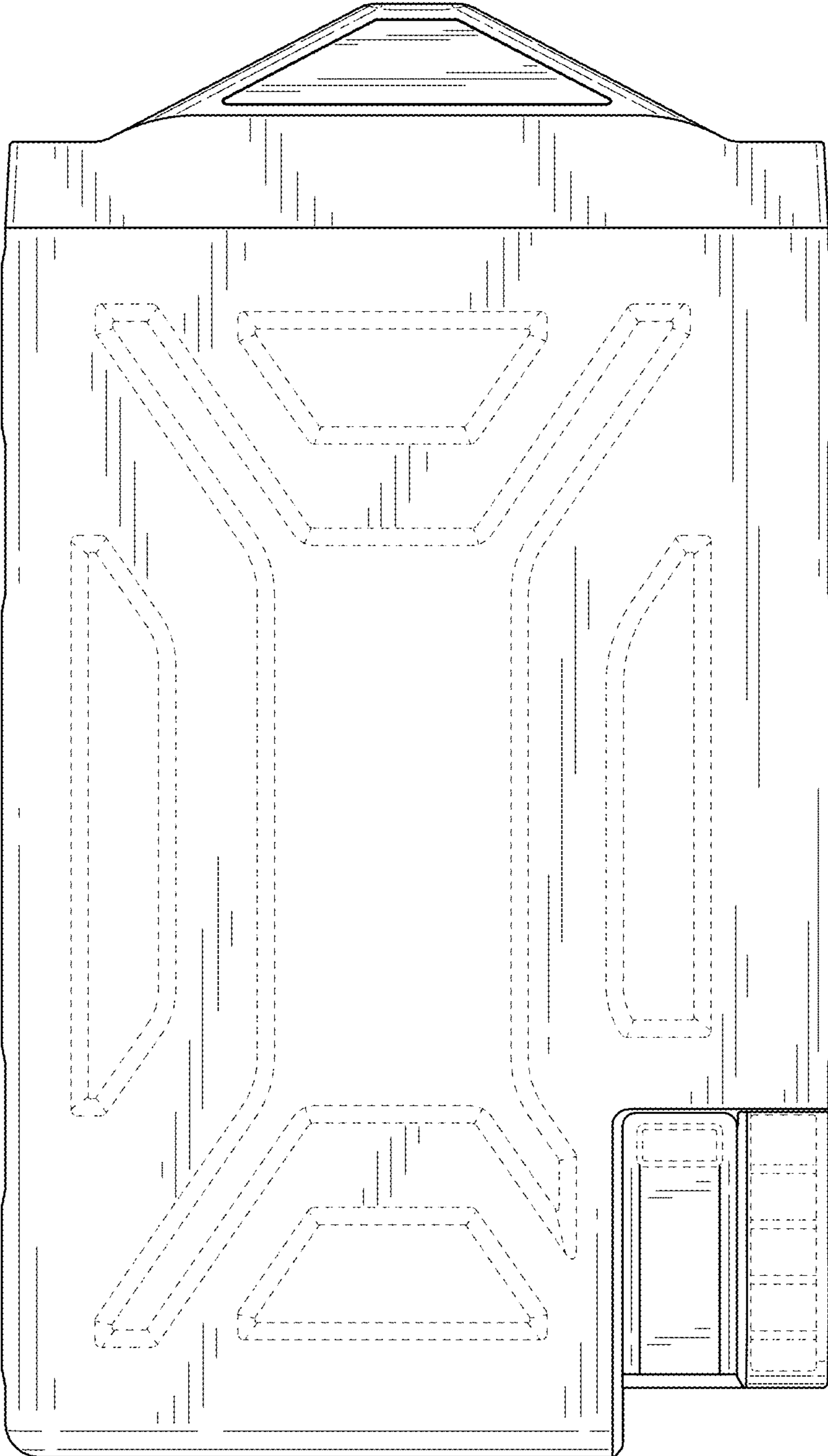


**FIG. 1**

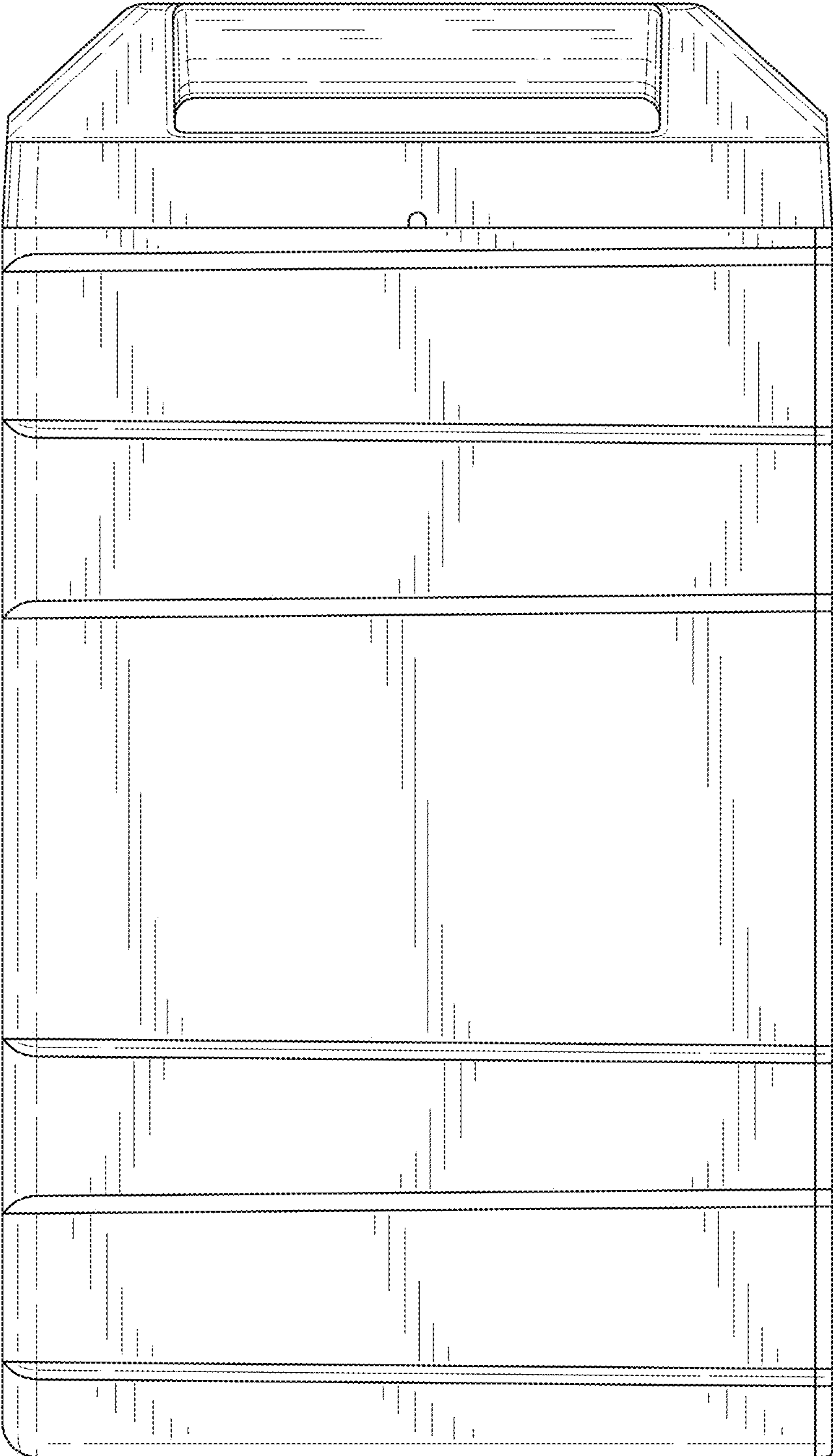




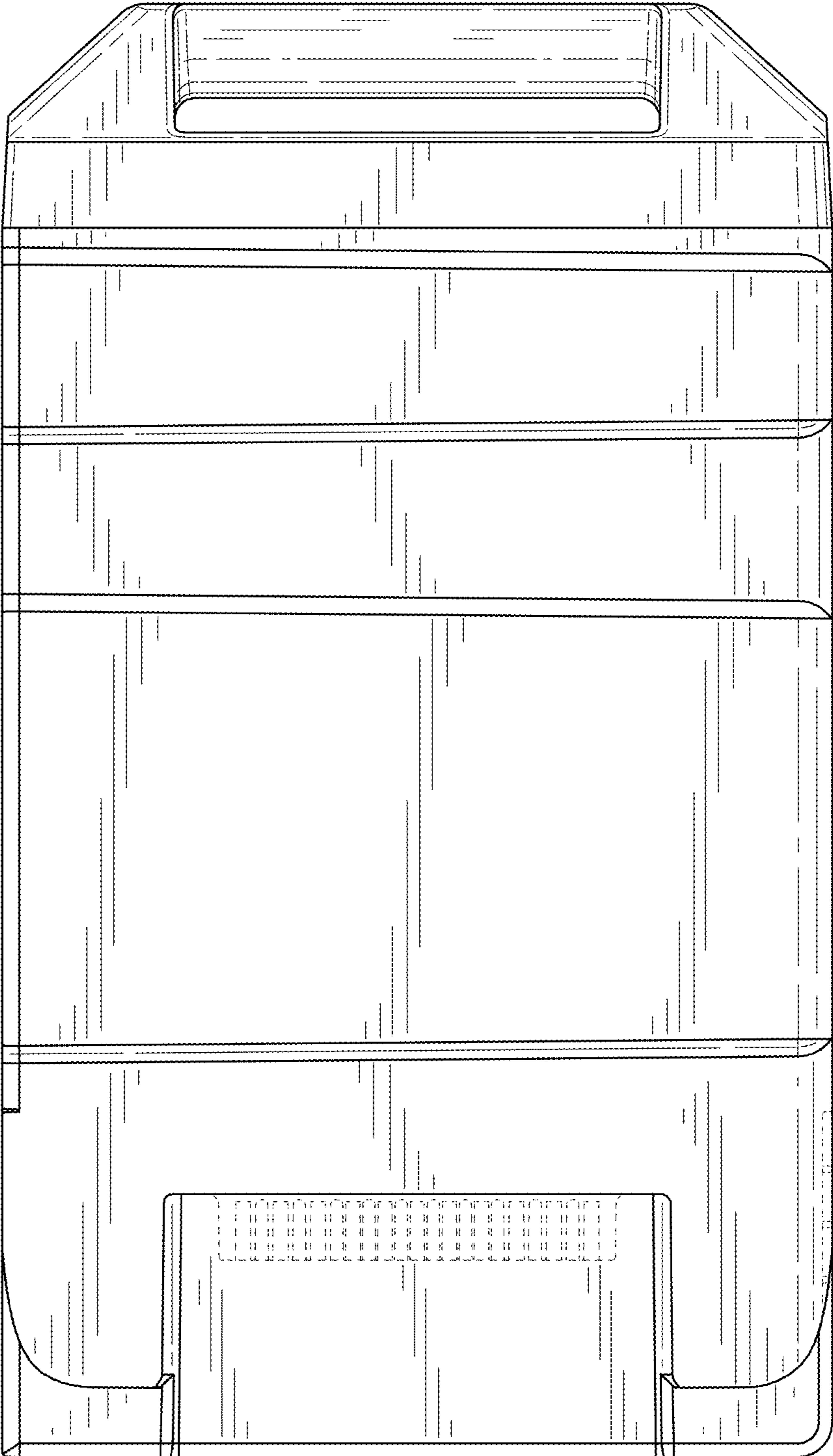
**FIG. 2**



**FIG. 3**

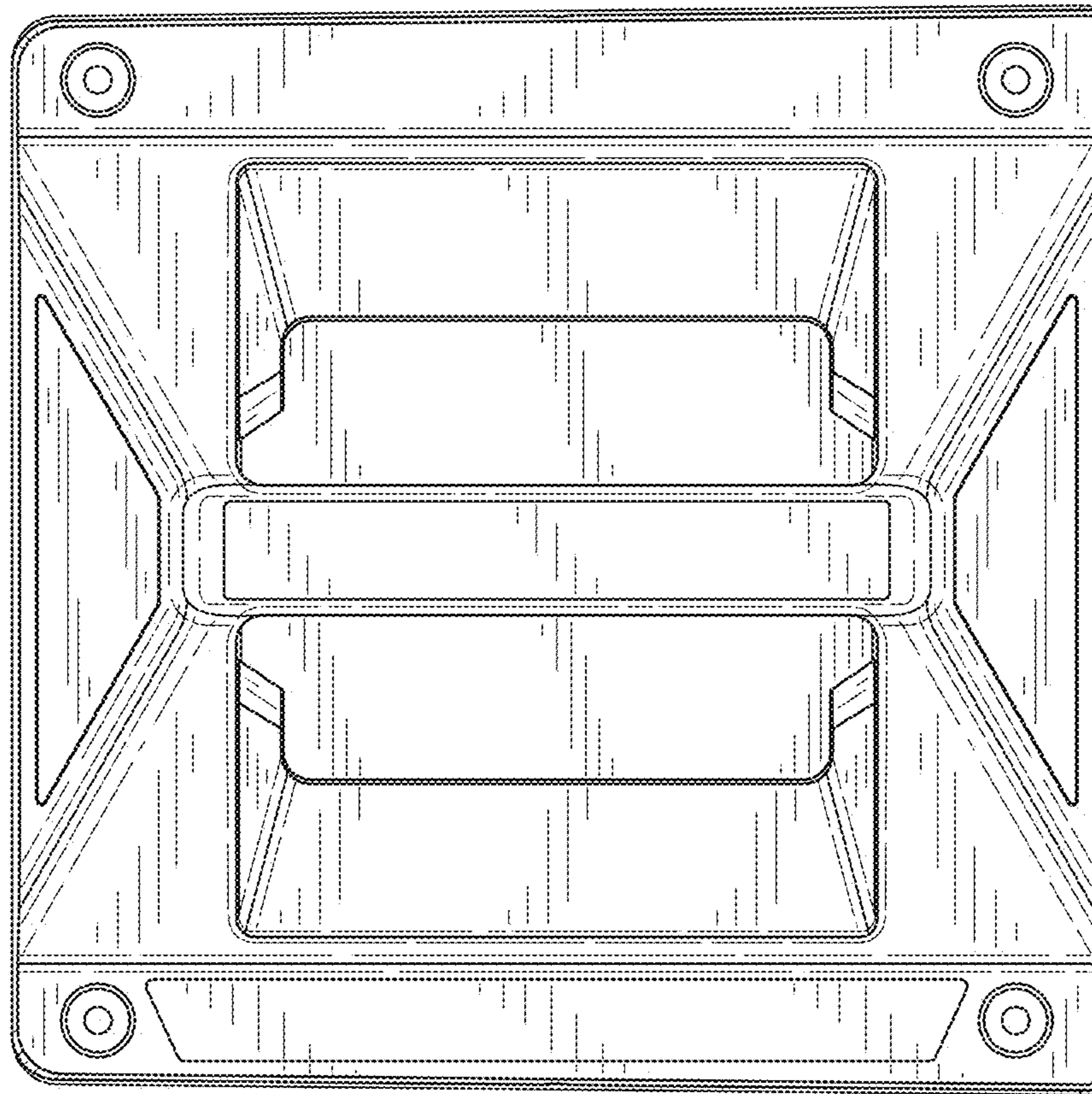


**FIG. 4**



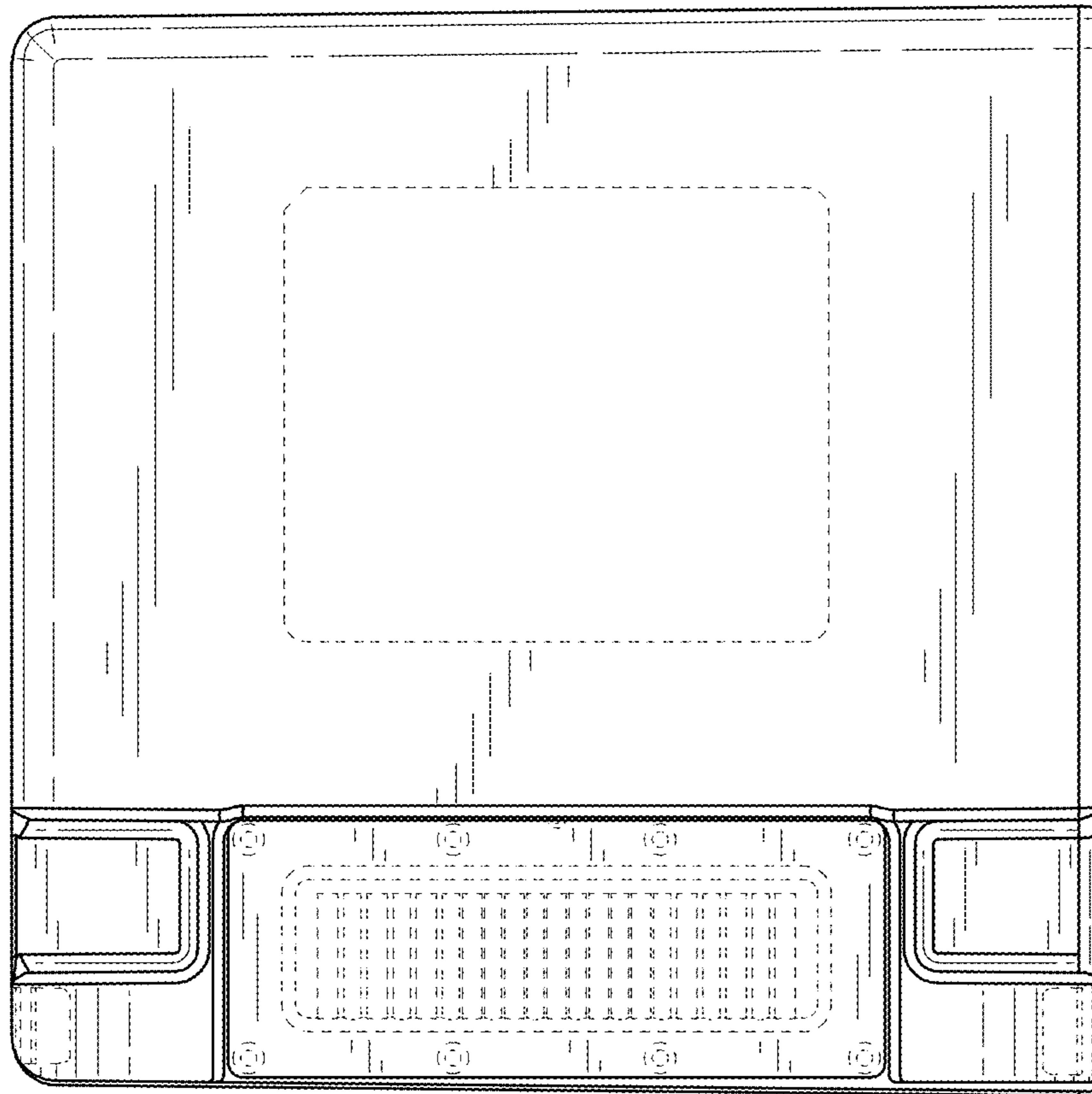
**FIG. 5**





**FIG. 6**





**FIG. 7**