



US00D978779S

(12) **United States Design Patent**
Son et al.

(10) **Patent No.:** **US D978,779 S**

(45) **Date of Patent:** **** Feb. 21, 2023**

(54) **TIRE TREAD**

(71) Applicant: **HANKOOK TIRE & TECHNOLOGY CO., LTD.**,
Seongnam-si (KR)

(72) Inventors: **Su Jin Son**, Seoul (KR); **Ji Eun Yeo**,
Seoul (KR)

(73) Assignee: **Hankook Tire & Technology Co., Ltd.**,
Gyeonggi-do (KR)

(**) Term: **15 Years**

(21) Appl. No.: **29/766,431**

(22) Filed: **Jan. 28, 2021**

(30) **Foreign Application Priority Data**

Jul. 30, 2020 (KR) 30-2020-0035442

(51) **LOC (14) Cl.** **12-15**

(52) **U.S. Cl.**
USPC **D12/585**

(58) **Field of Classification Search**
USPC D12/568-605, 900
CPC Y10T 152/10027; B60C 1/0016; B60C
11/0306; B60C 11/0302; B60C 3/06;
B60C 9/17

See application file for complete search history.

(56) **References Cited**

U.S. PATENT DOCUMENTS

D470,101 S * 2/2003 Heinen D12/584
D477,565 S * 7/2003 Terver D12/590
D598,365 S * 8/2009 Tagashira D12/521
D624,487 S * 9/2010 Drake D12/585

D630,997 S * 1/2011 Wright D12/516
D764,392 S * 8/2016 Fu D12/586
D766,815 S * 9/2016 Shima D12/585
D777,093 S * 1/2017 Tsukamoto D12/585
D797,655 S * 9/2017 Liu D12/588
D864,848 S * 10/2019 Zhang D12/588
D870,651 S * 12/2019 Youn D12/590
D875,035 S * 2/2020 Wang D12/589
D916,003 S * 4/2021 Lamb D12/584
D931,788 S * 9/2021 Inui D12/585
D932,423 S * 10/2021 Sui D12/601
D952,545 S * 5/2022 Davis D12/601
D953,249 S * 5/2022 Kristen D12/588

* cited by examiner

Primary Examiner — John A Voytek

(74) *Attorney, Agent, or Firm* — Hamre, Schumann,
Mueller & Larson, P.C.

(57) **CLAIM**

The ornamental design for a tire tread, as shown and described.

DESCRIPTION

FIG. 1 is a perspective view of a tire tread showing my new design, it being understood that the pattern is repeated uniformly throughout the circumference of the tread;
FIG. 2 is a front elevational view thereof;
FIG. 3 is a rear elevational view thereof;
FIG. 4 is a left side elevational view thereof;
FIG. 5 is a right side elevational view thereof;
FIG. 6 is a top plan view thereof;
FIG. 7 is a bottom plan view thereof; and,
FIG. 8 is an enlarged fragmentary view from upper A to lower A.

The broken line environmental showing is for illustrative purposes only and forms no part of the claimed design.

1 Claim, 8 Drawing Sheets

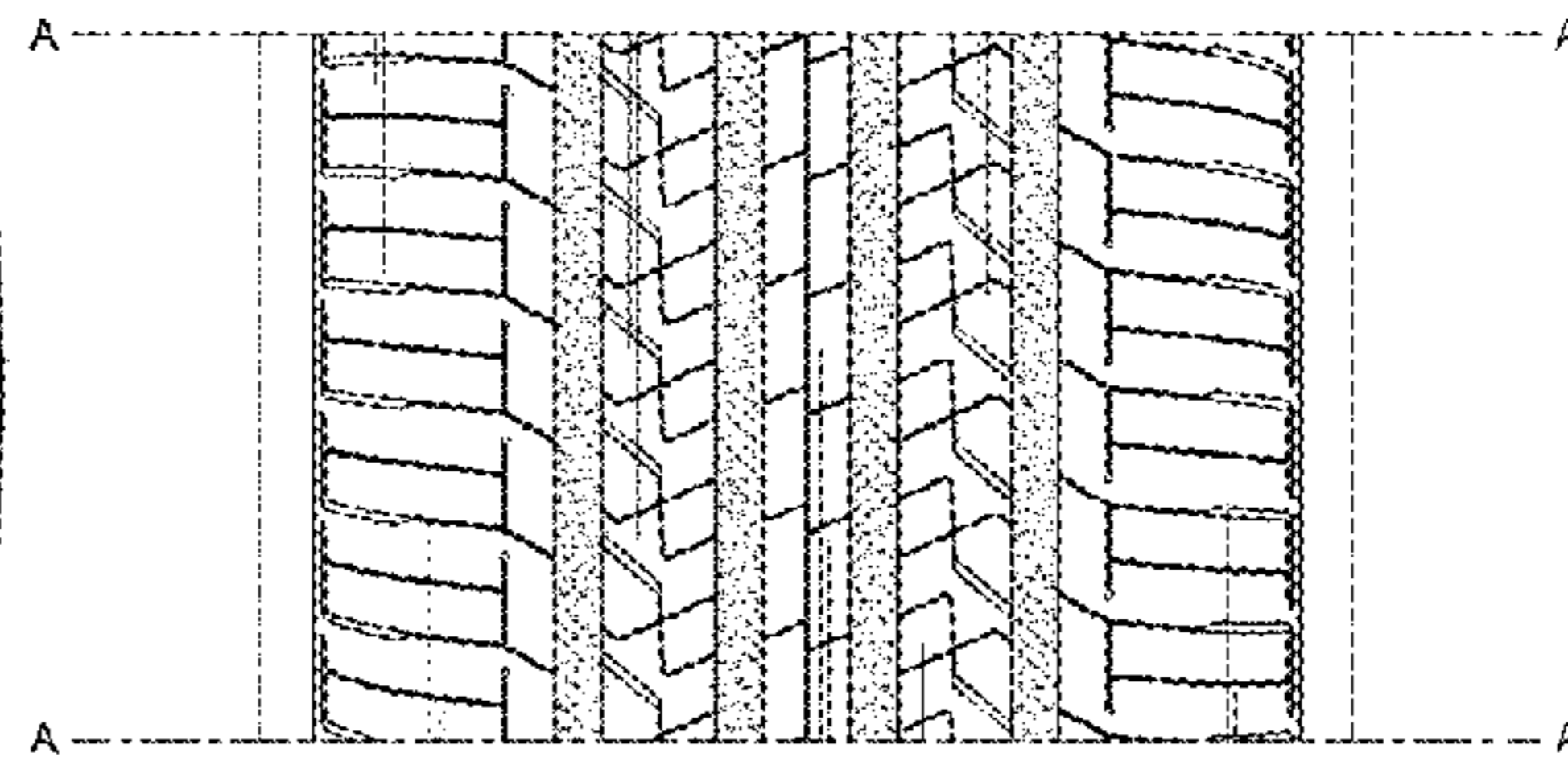
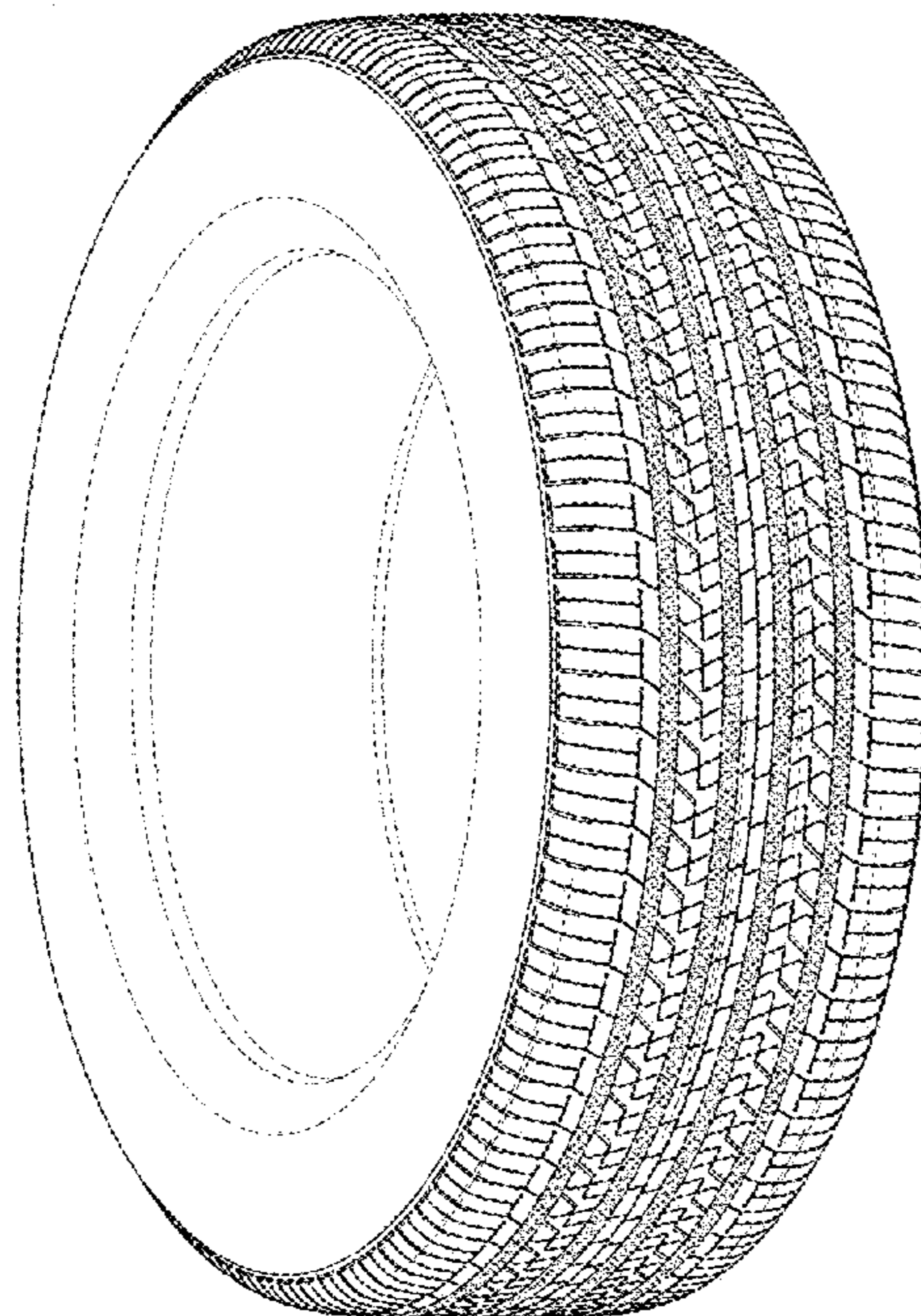


Fig. 1

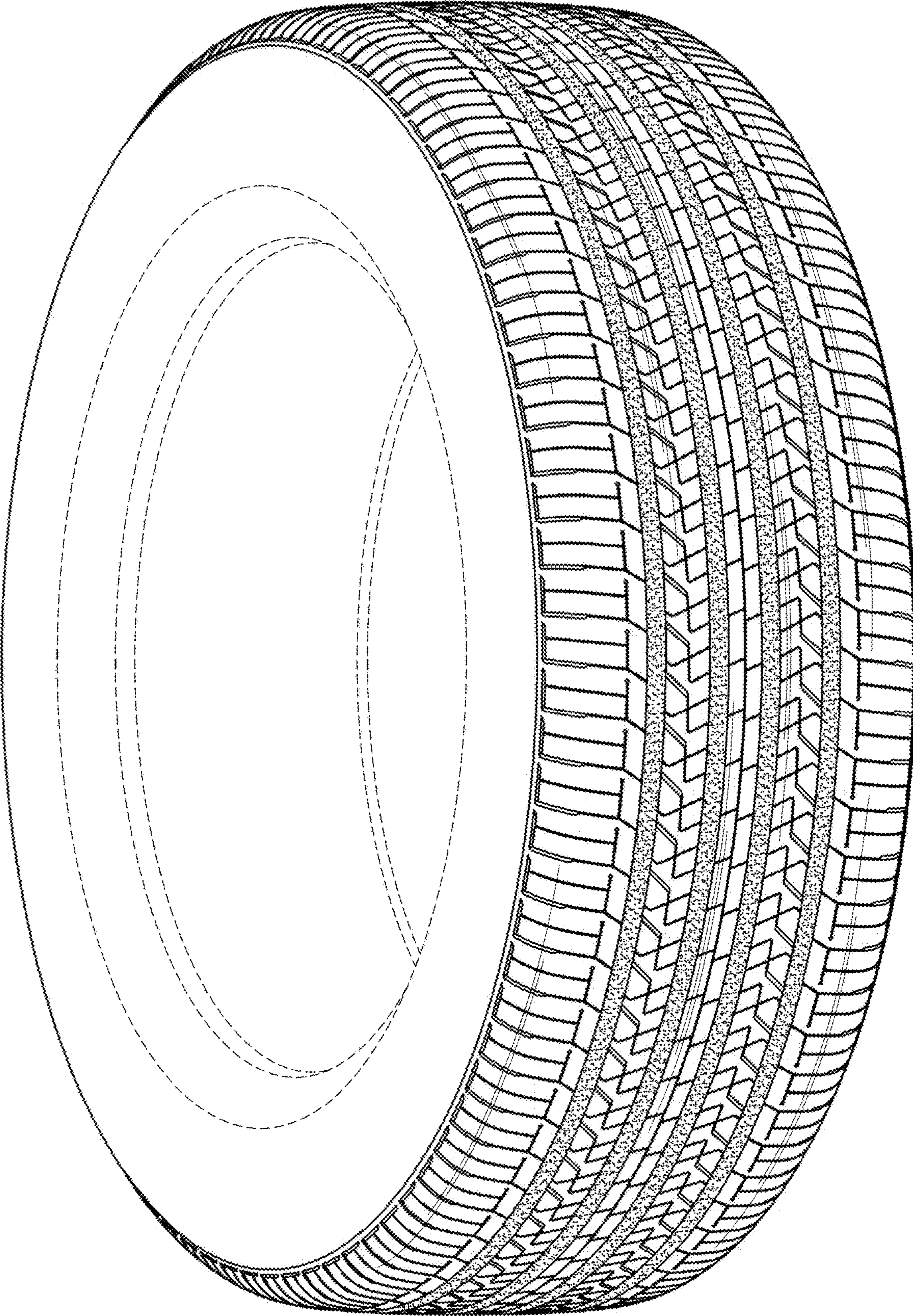


Fig. 2

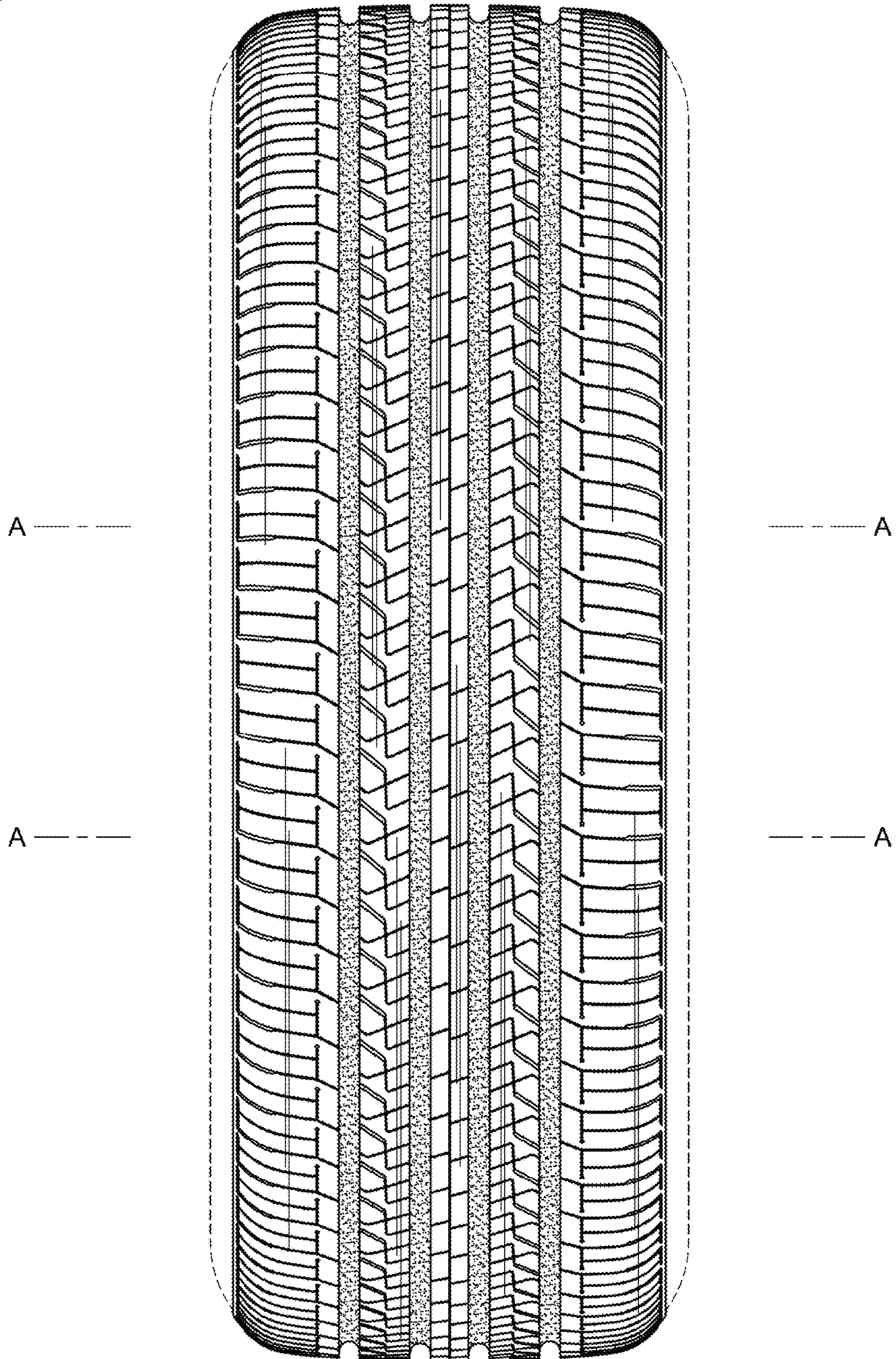


Fig. 3

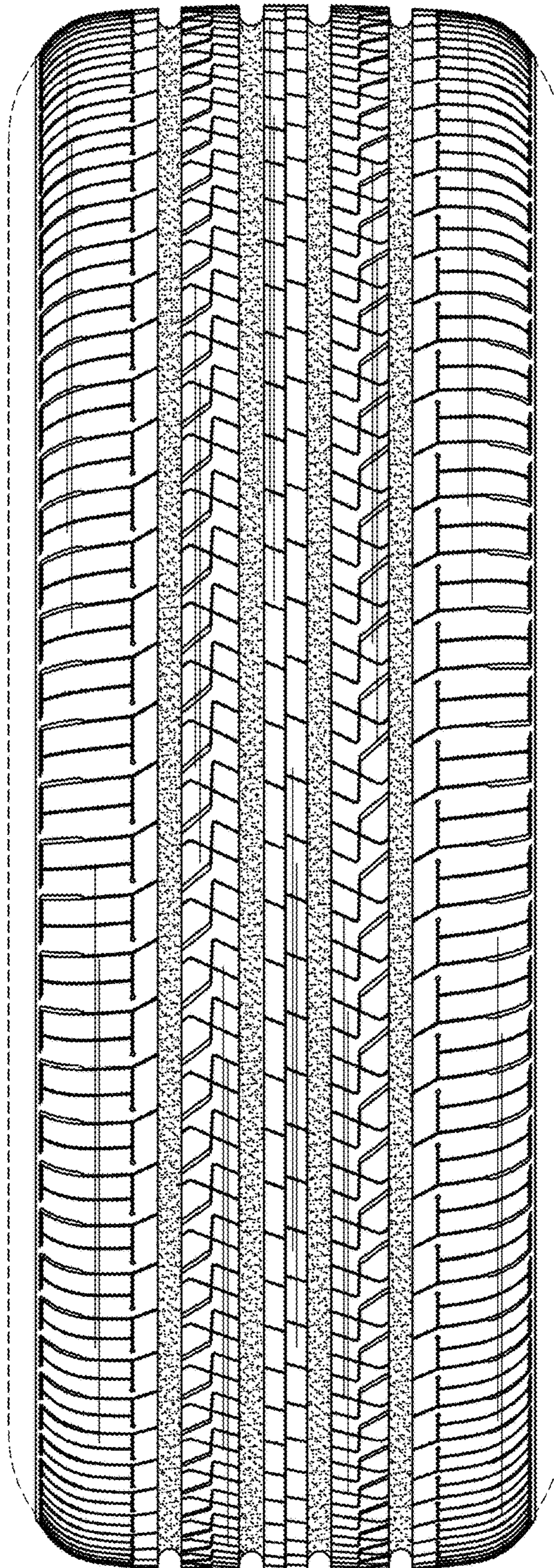


Fig. 4

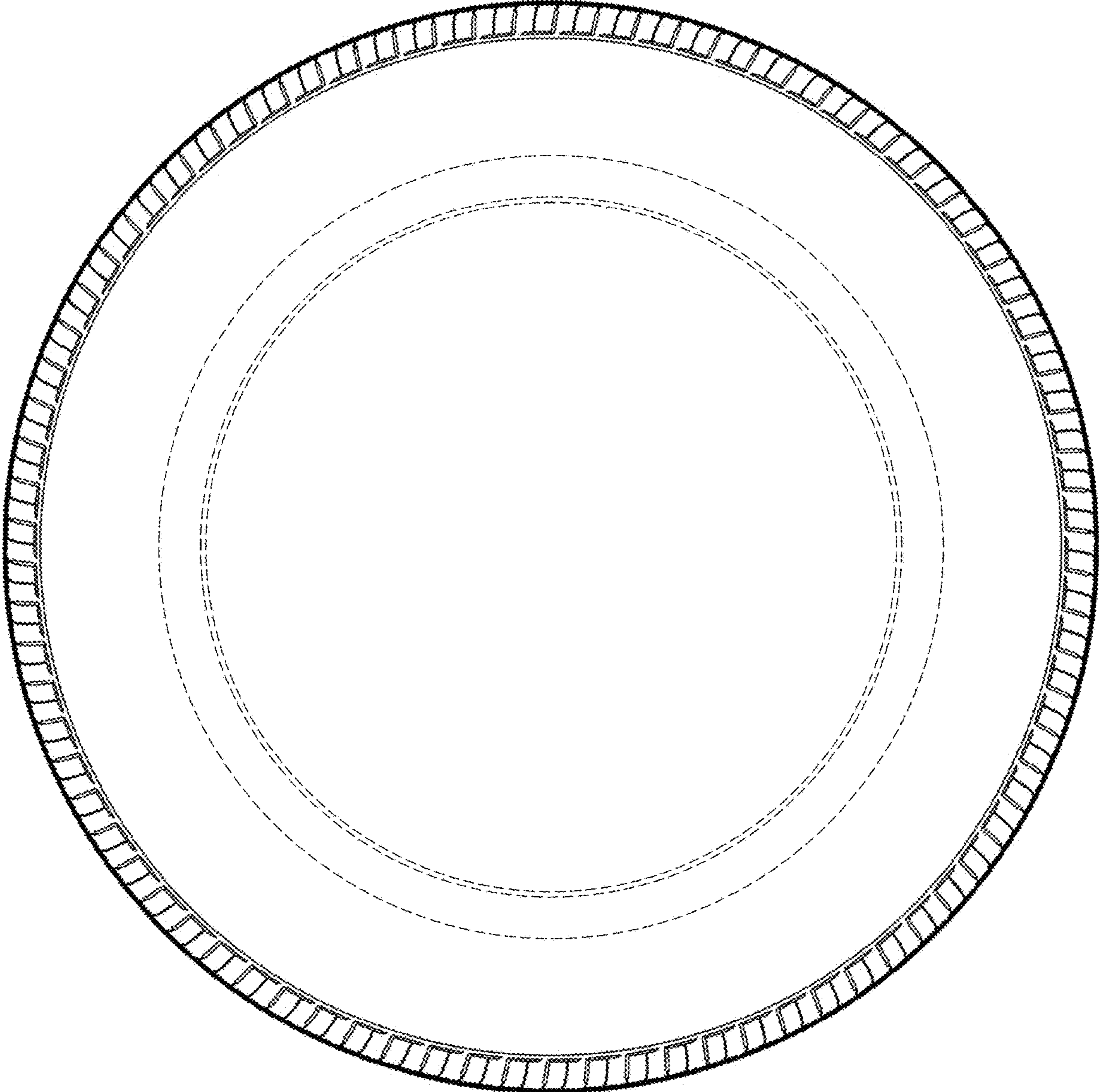


Fig. 5

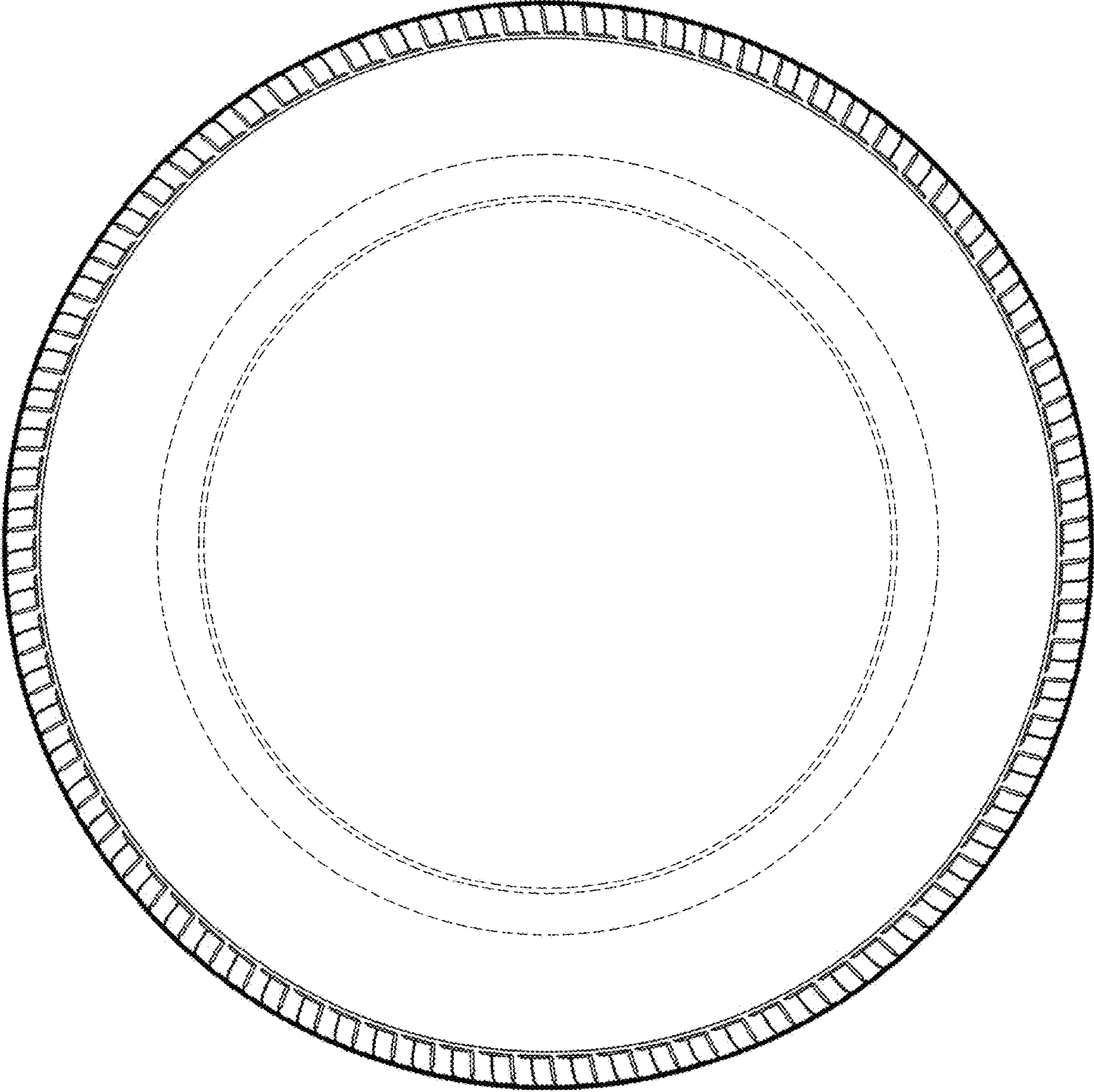


Fig. 6

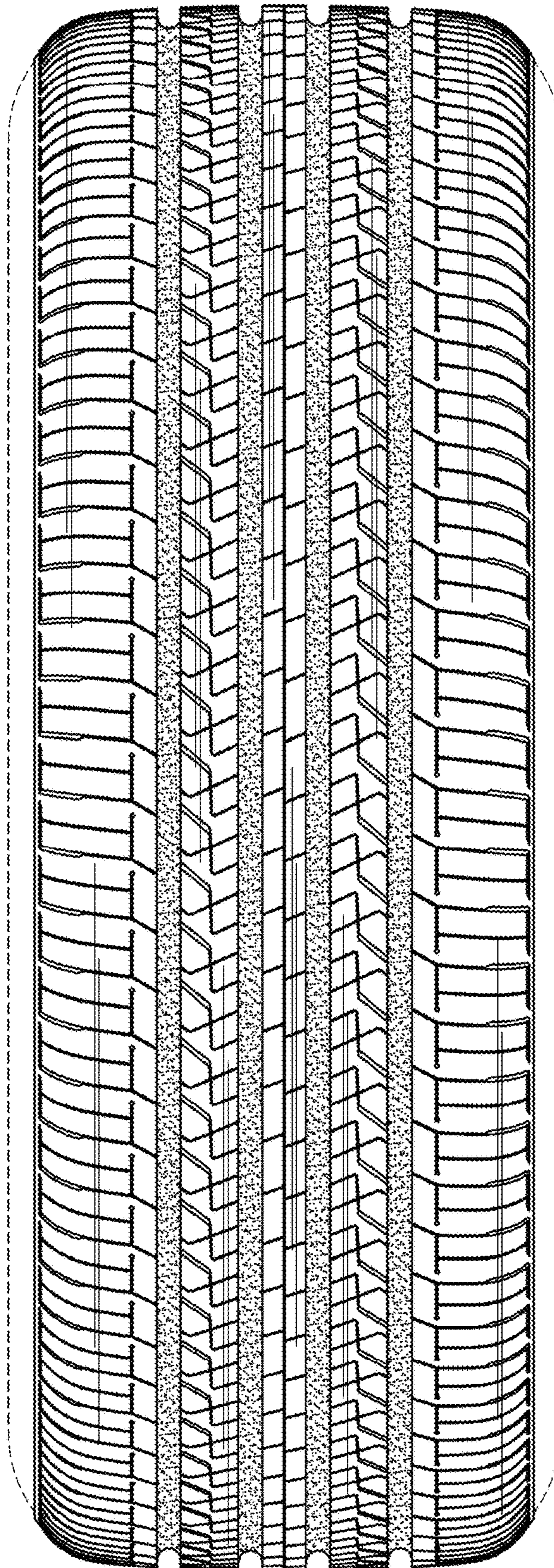


Fig. 7

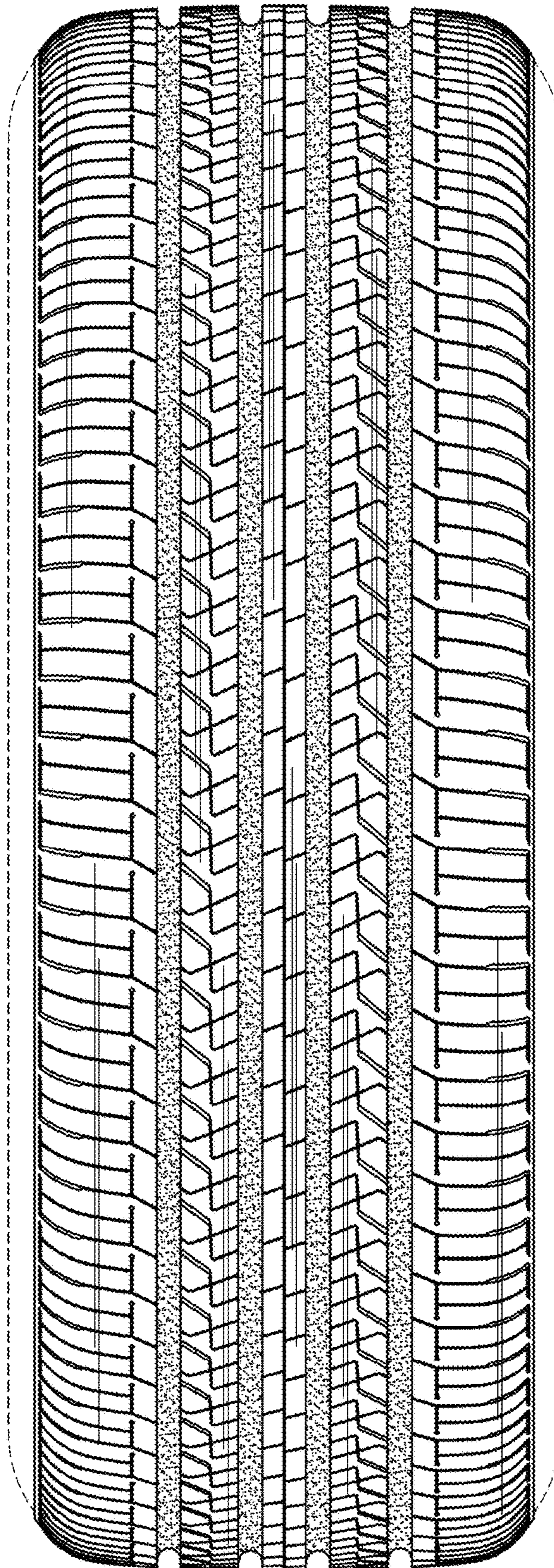


Fig. 8

