



US00D978776S

(12) **United States Design Patent**  
**Liu et al.**

(10) **Patent No.:** **US D978,776 S**  
(45) **Date of Patent:** **\*\* Feb. 21, 2023**

(54) **SET OF WHEELS FOR A DELIVERY ROBOT CHASSIS**

D803,747 S \* 11/2017 Liu ..... D12/204  
D808,877 S \* 1/2018 Liu ..... D12/204  
D816,119 S \* 4/2018 Pu ..... A63C 17/12  
D6/354  
D883,354 S \* 5/2020 Jafarzadeh ..... D15/199  
(Continued)

(71) Applicant: **Ninebot (Beijing) Tech Co., Ltd.**,  
Beijing (CN)

(72) Inventors: **Yafei Liu**, Beijing (CN); **Chao Xue**,  
Beijing (CN); **Weining Xi**, Beijing  
(CN)

*Primary Examiner* — Joseph Kukella

(\*\*) Term: **15 Years**

(57) **CLAIM**

The ornamental designs for a set of wheels for a delivery robot chassis, as shown and described.

(21) Appl. No.: **35/514,744**

**DESCRIPTION**

(22) Filed: **Jun. 21, 2022**

The patent or application file contains at least one drawing executed in color. Copies of this patent or patent application publication with color drawing(s) will be provided by the Office upon request and payment of the necessary fee.

(80) **Hague Agreement Data**

Int. Filing Date: **Jun. 21, 2022**  
Int. Reg. No.: **DM/222041**  
Int. Reg. Date: **Jun. 21, 2022**  
Int. Reg. Pub. Date: **Jul. 22, 2022**

1-2. Set of wheels for a delivery robot chassis

(30) **Foreign Application Priority Data**

Dec. 22, 2021 (CN) ..... 202130849774.2

(51) **LOC (14) Cl.** ..... **12-05**

(52) **U.S. Cl.**  
USPC ..... **D12/501**; D15/199

(58) **Field of Classification Search**  
USPC ..... D12/1, 14, 15, 128, 131, 133, 501, 599,  
D12/600, 601; D15/199

- 1.1: Front
- 1.2: Back
- 1.3: Left
- 1.4: Right
- 1.5: Top
- 1.6: Bottom
- 1.7: First Perspective
- 2.1: Front
- 2.2: Back
- 2.3: Left
- 2.4: Right
- 2.5: Top
- 2.6: Bottom
- 2.7: First Perspective

CPC ..... B60C 2011/0341; B60C 2011/0374  
See application file for complete search history.

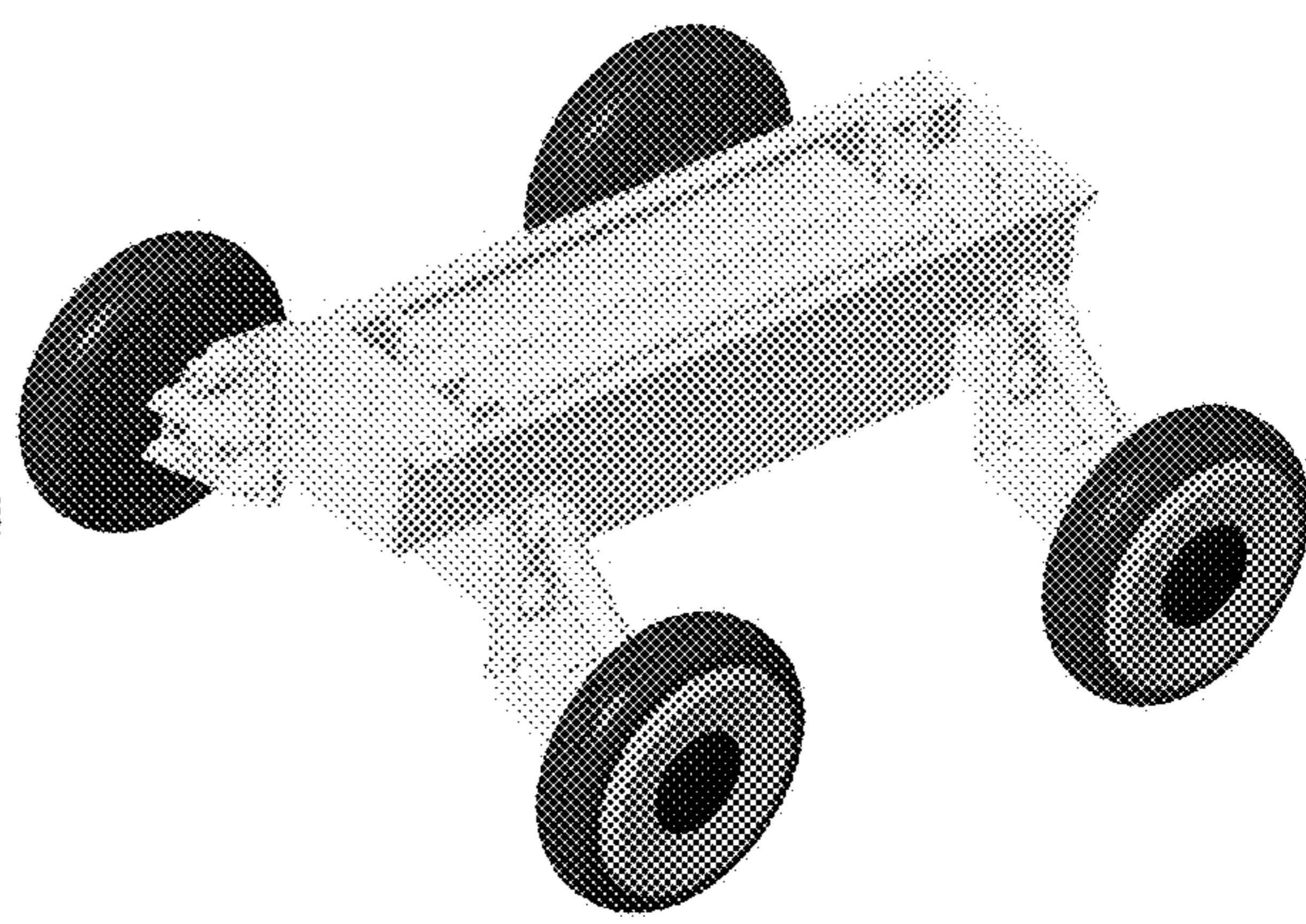
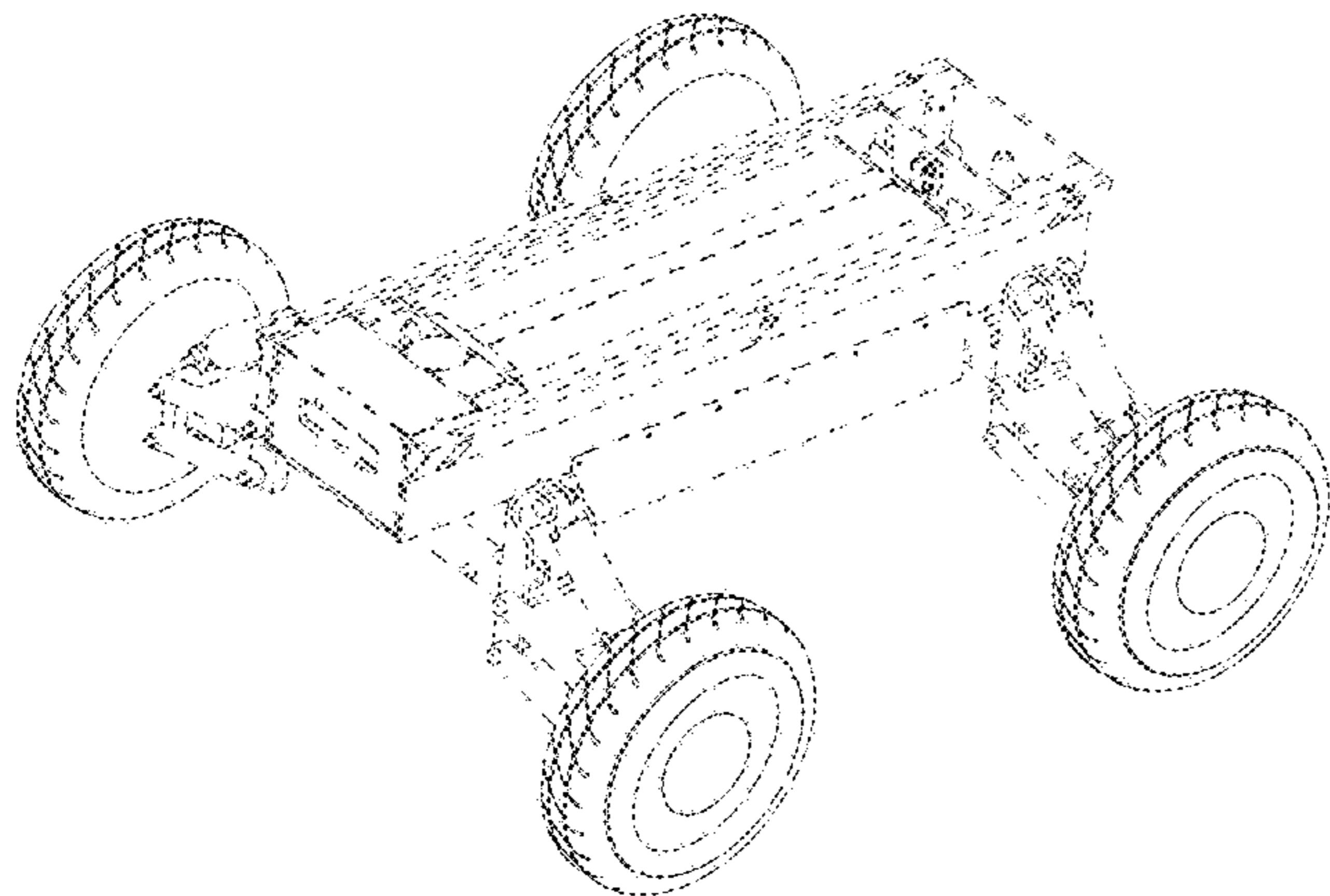
The broken lines shown in design 1 are for the purpose of illustrating environment and form no part of the claimed design. The elements shaded in a transparent swathe blue wash are included for the purpose of illustrating environment and forms no part of the claimed design. Bottom views of designs 1 and 2 are omitted since they are not easy to see or cannot be seen during usage.

(56) **References Cited**

**U.S. PATENT DOCUMENTS**

D266,614 S \* 10/1982 Neville ..... B60R 25/01  
D34/29  
D795,134 S \* 8/2017 Liu ..... A61L 2/26  
D12/1  
D797,633 S \* 9/2017 Liu ..... D12/204

**1 Claim, 14 Drawing Sheets**  
**(7 of 14 Drawing Sheet(s) Filed in Color)**



(56)

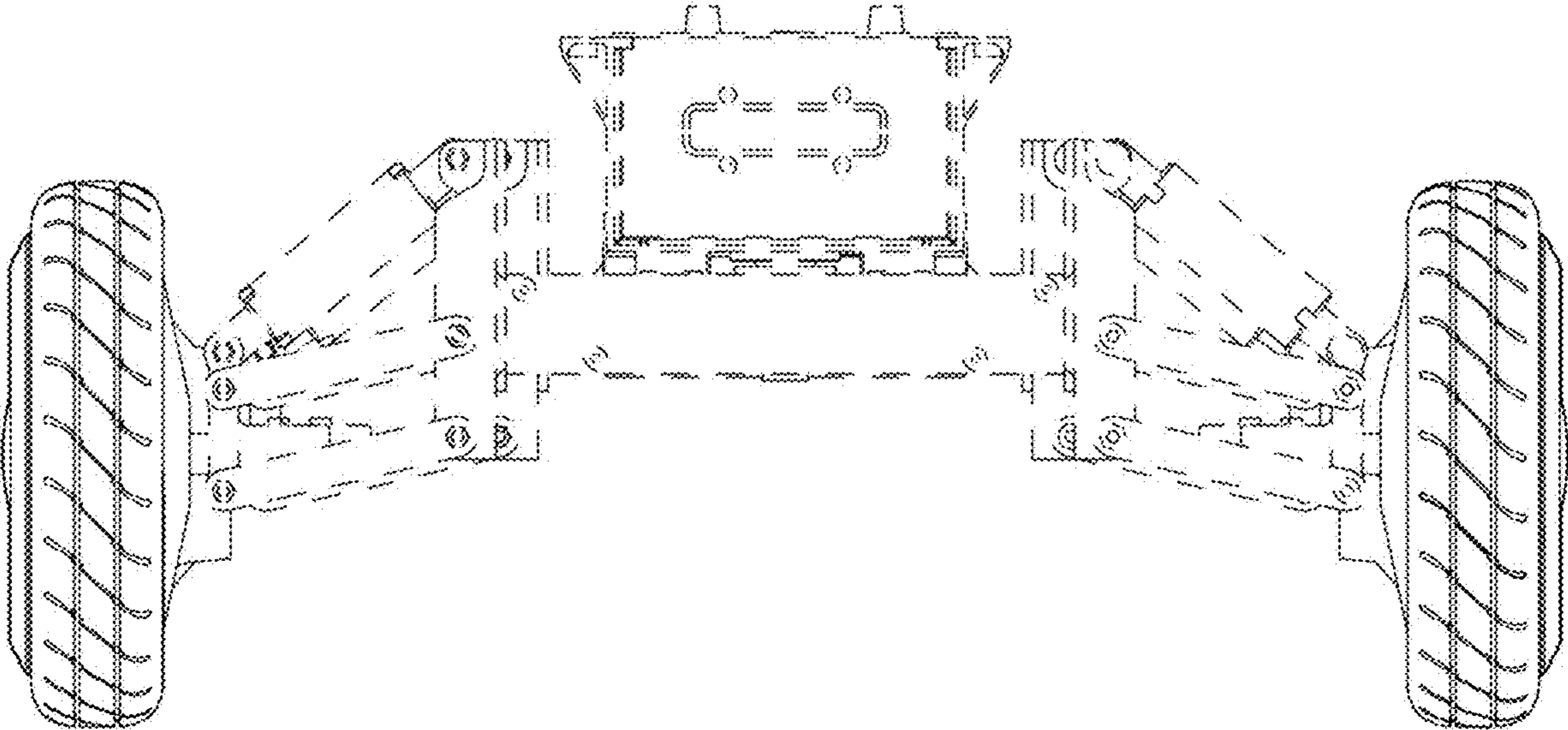
**References Cited**

U.S. PATENT DOCUMENTS

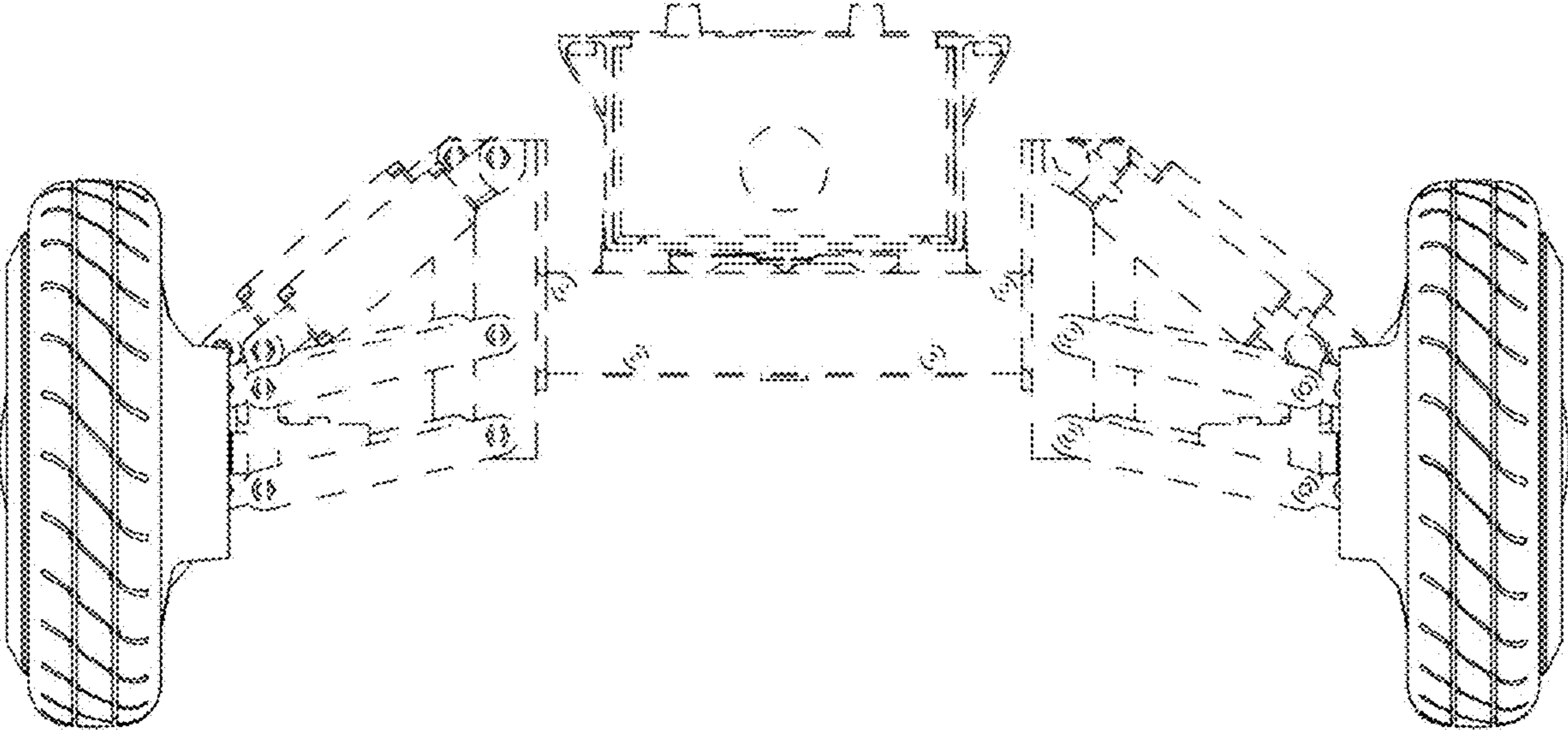
D907,869	S	*	1/2021	Yang	.....	A63C 17/12
						D32/31
D917,592	S	*	4/2021	Mei	.....	D15/199
D936,516	S	*	11/2021	Liu	.....	D12/1
D949,244	S	*	4/2022	Jin	.....	D21/423
2021/0290796	A1	*	9/2021	Gillespie	.....	A61L 2/26
2022/0019213	A1	*	1/2022	Haghighat Kashani	.....	B60R 25/01

\* cited by examiner

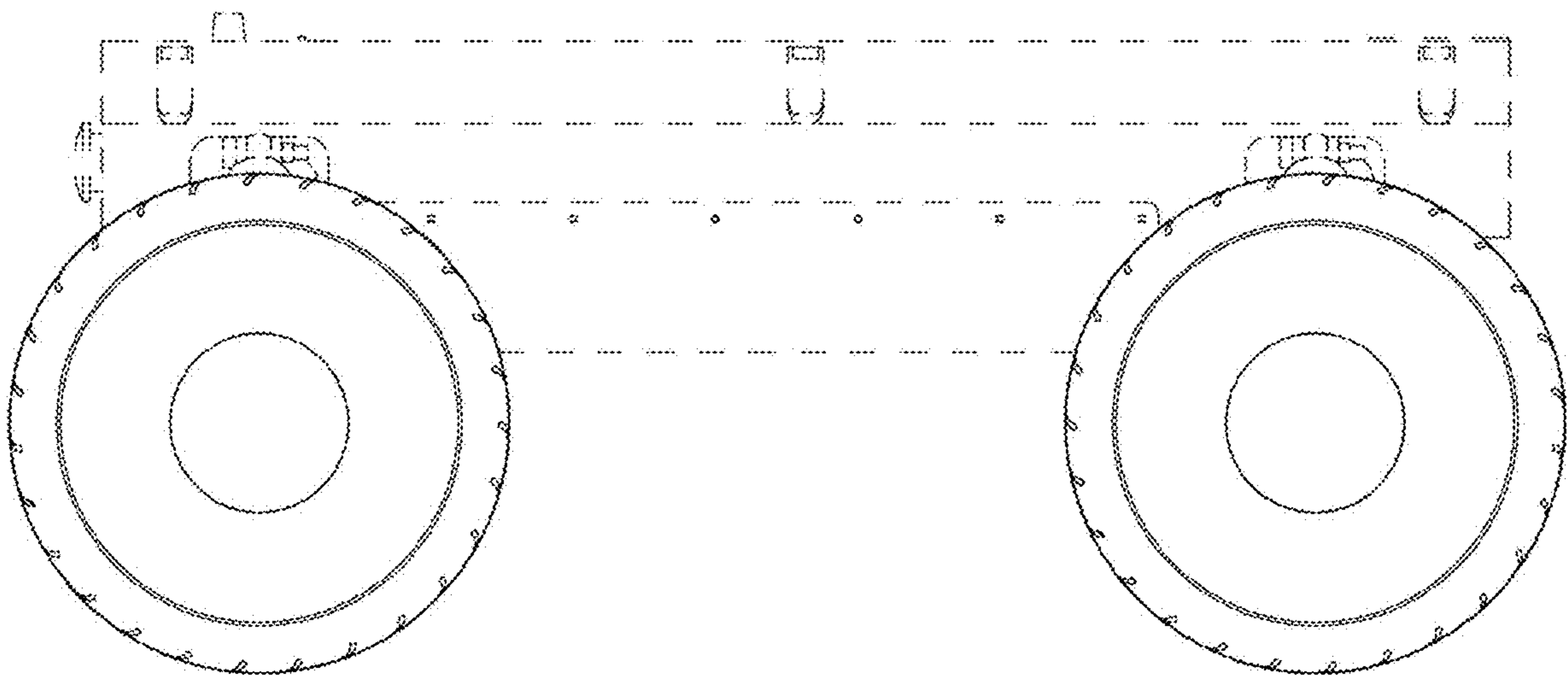
1.1



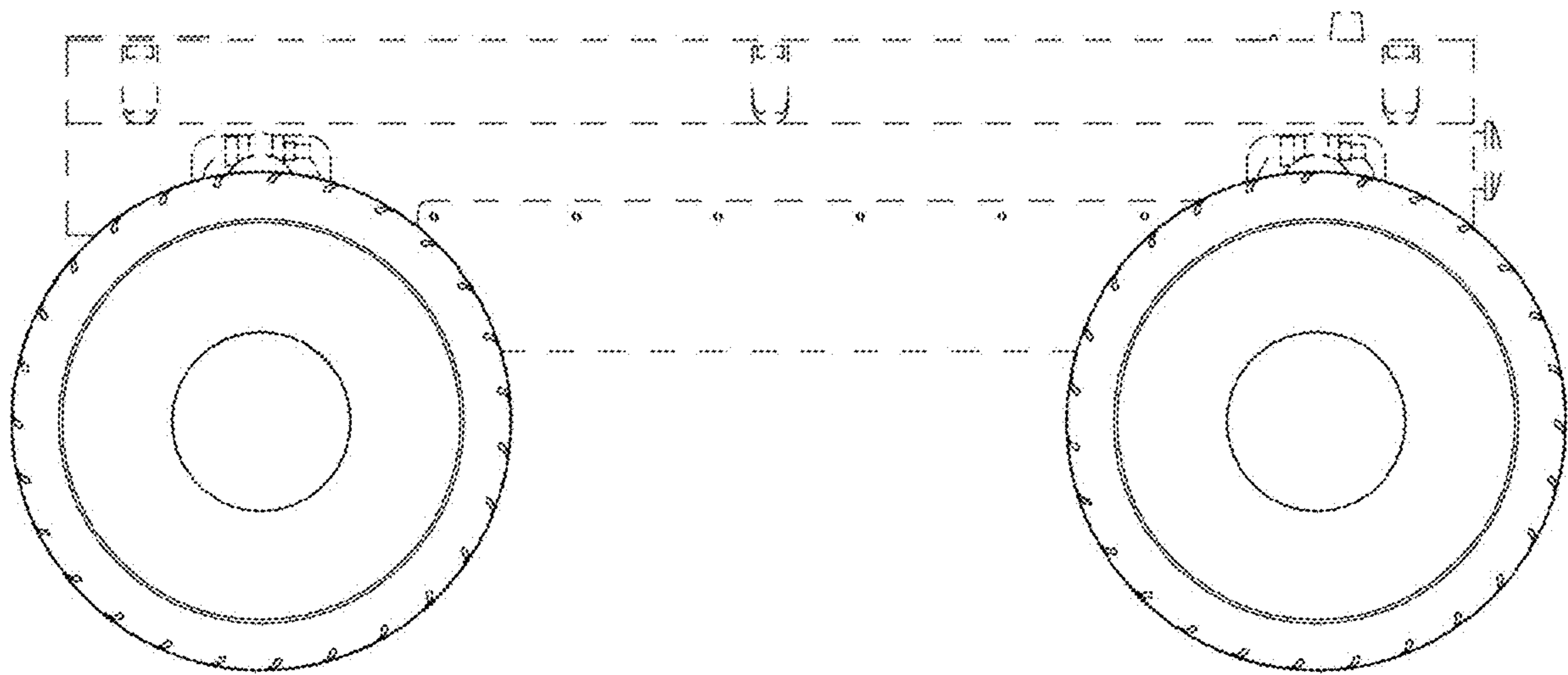
1.2



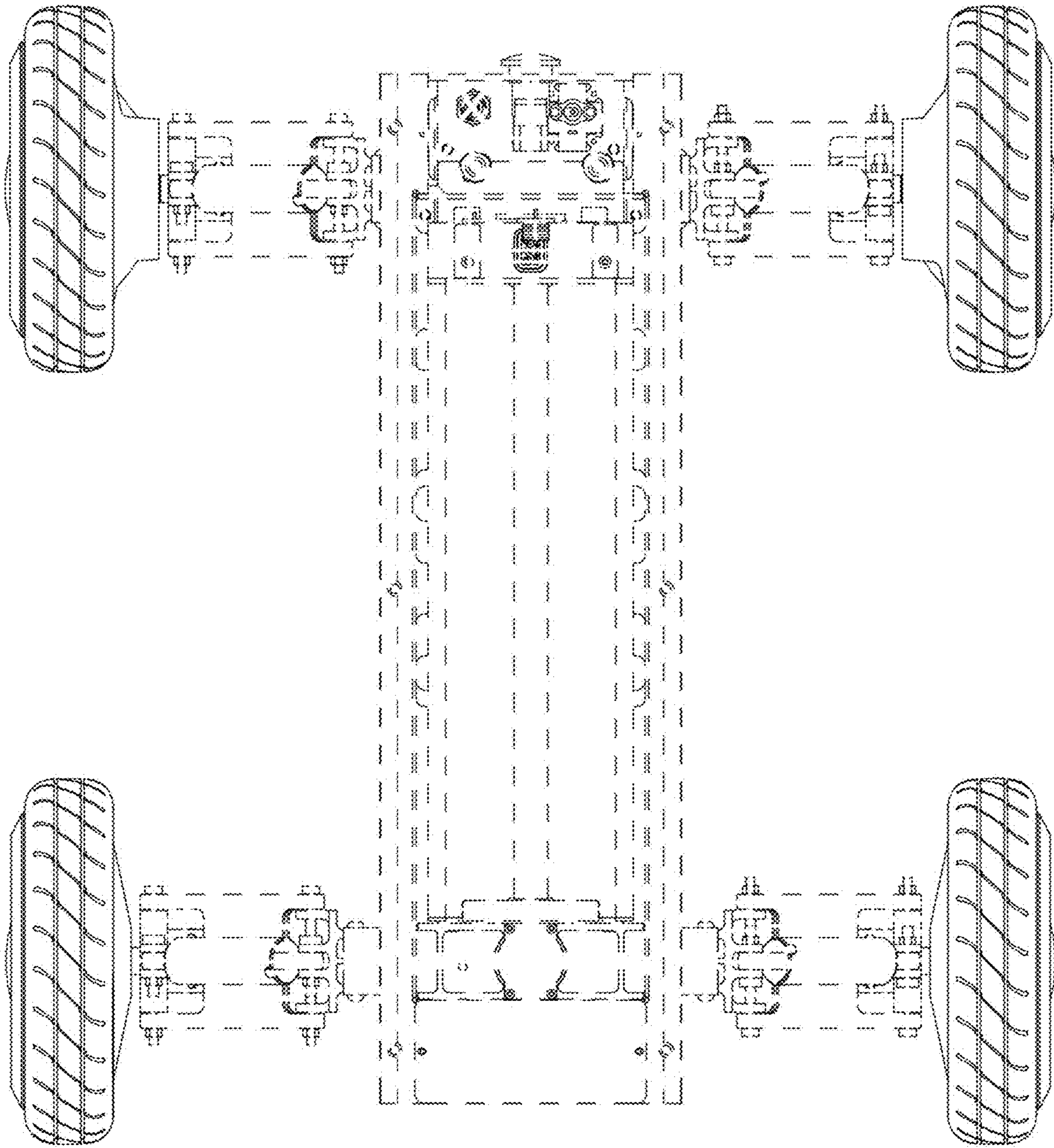
1.3



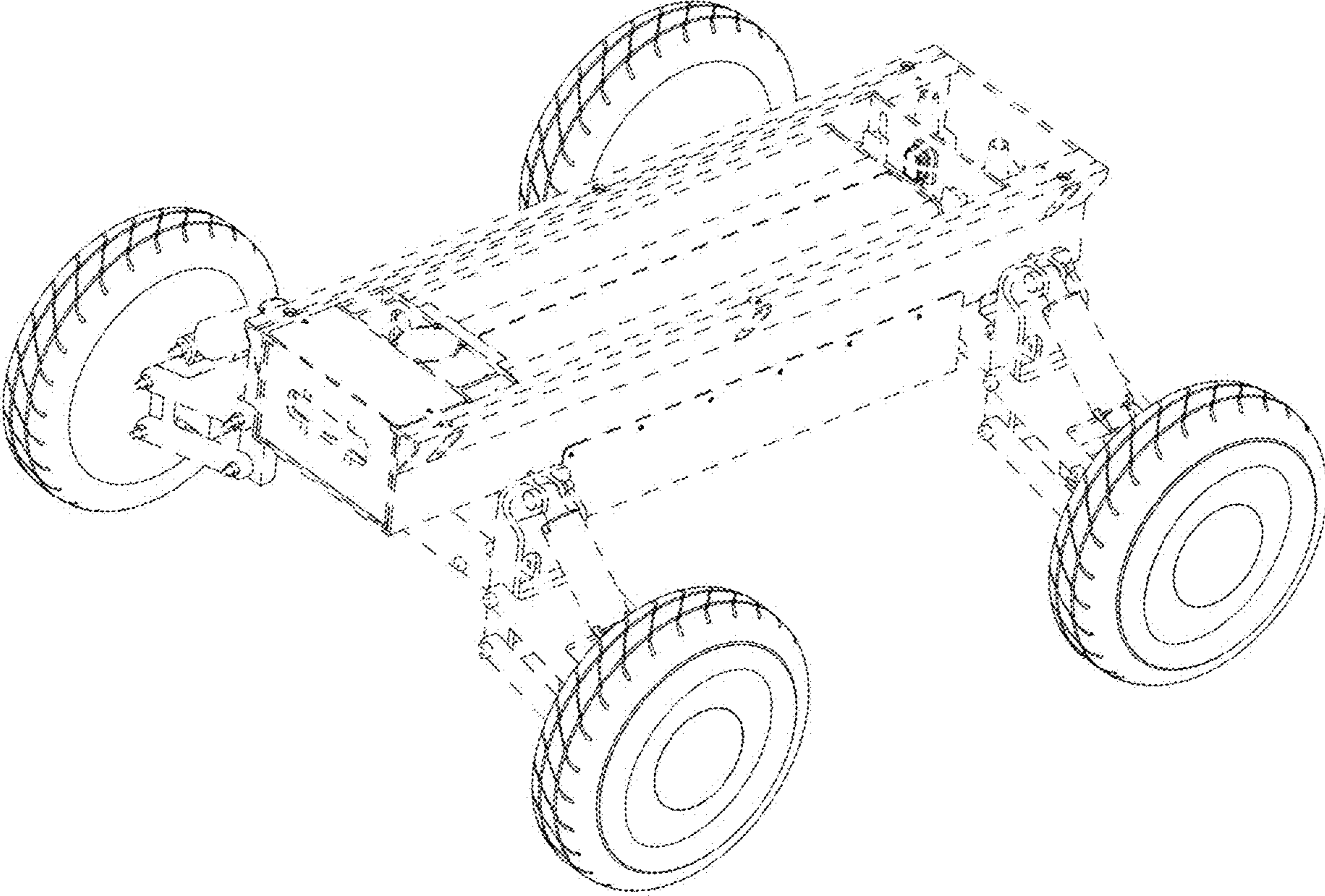
1.4



1.5

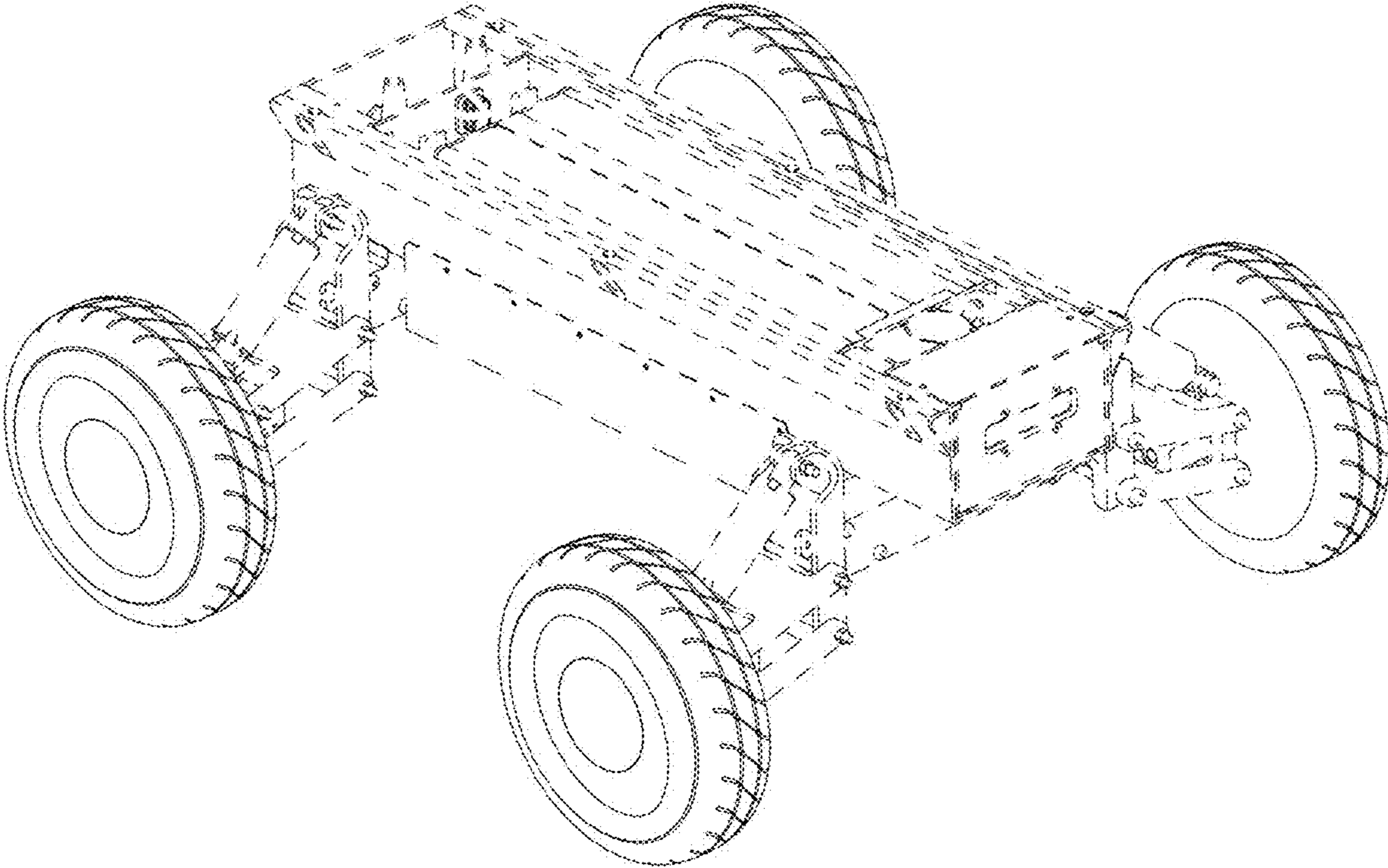


1.6

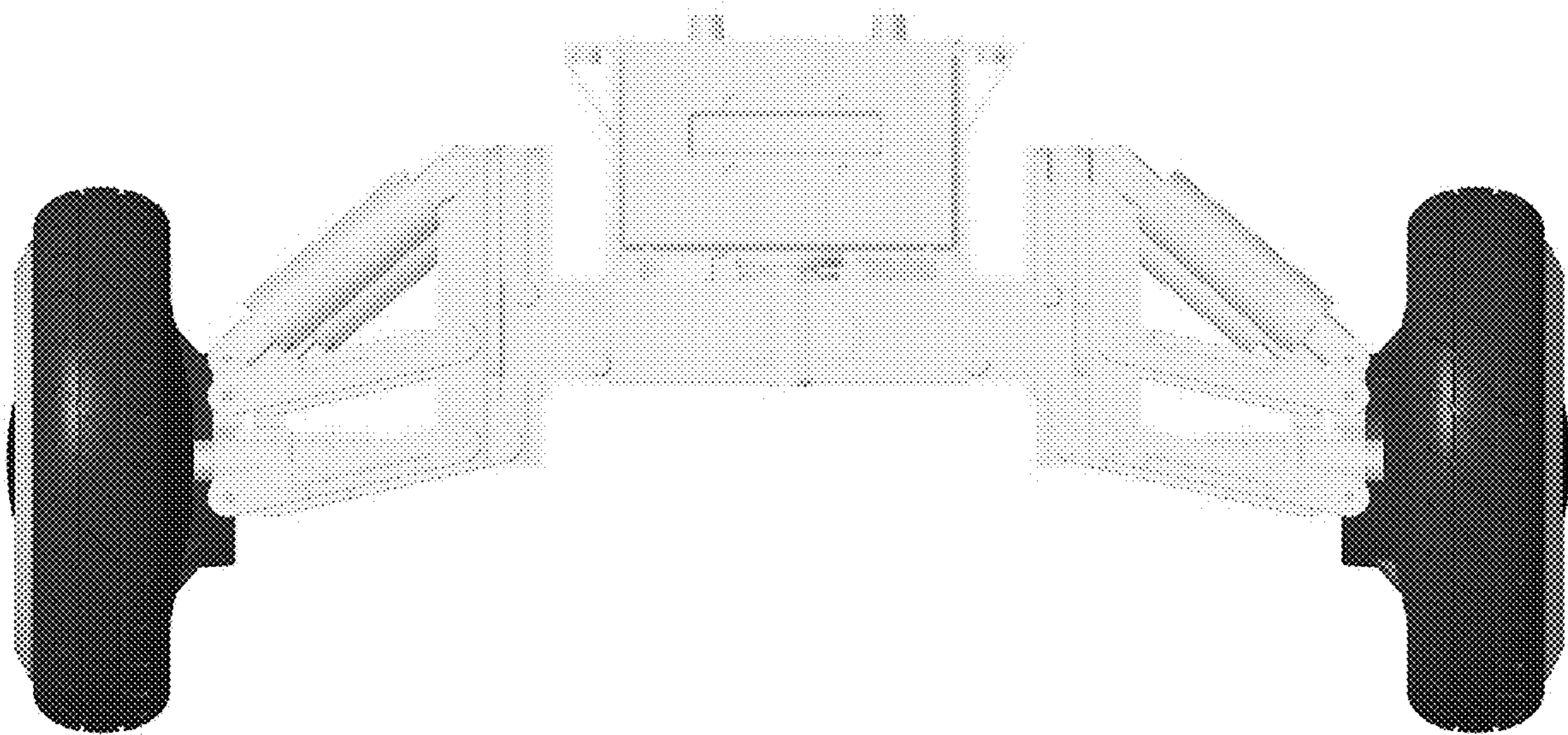




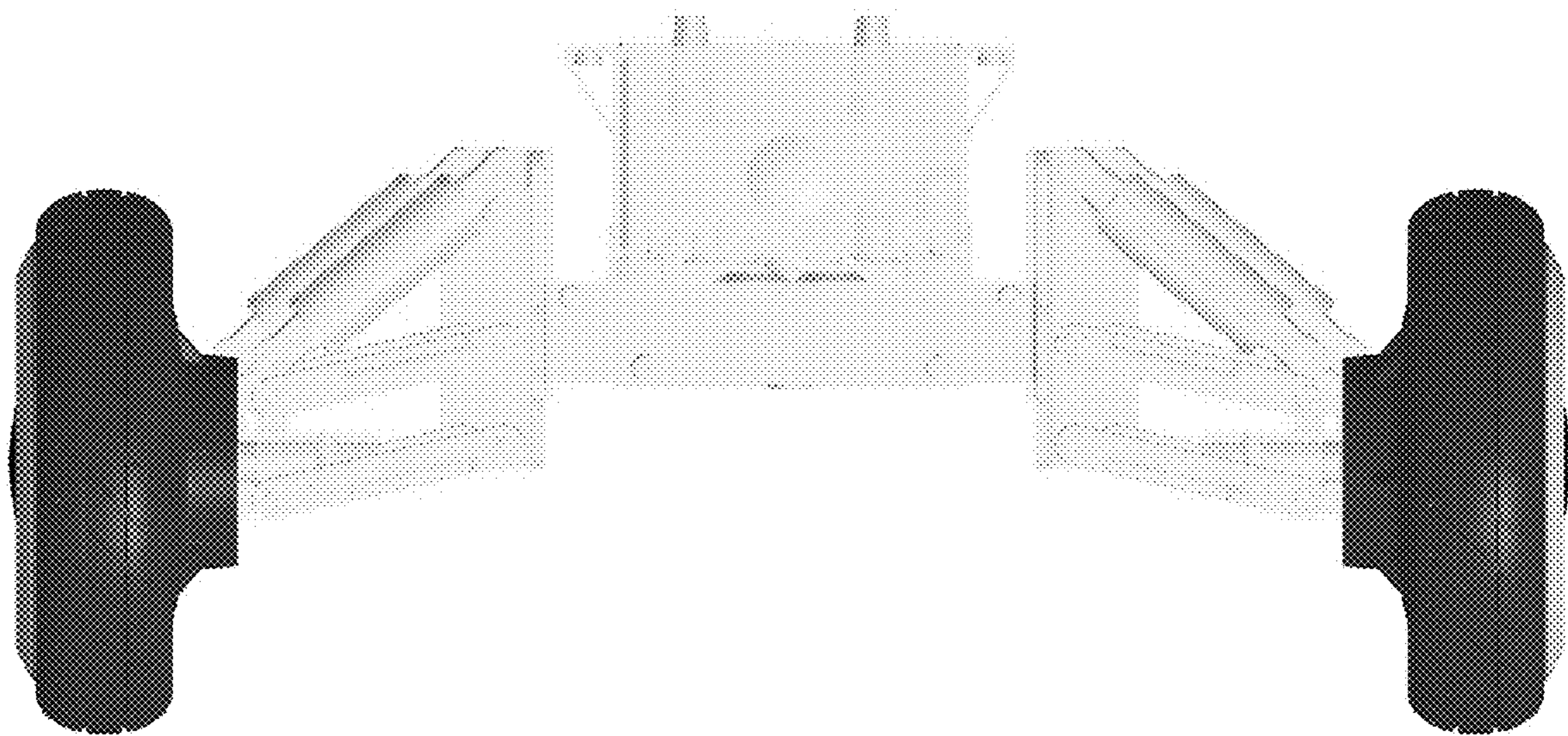
1.7



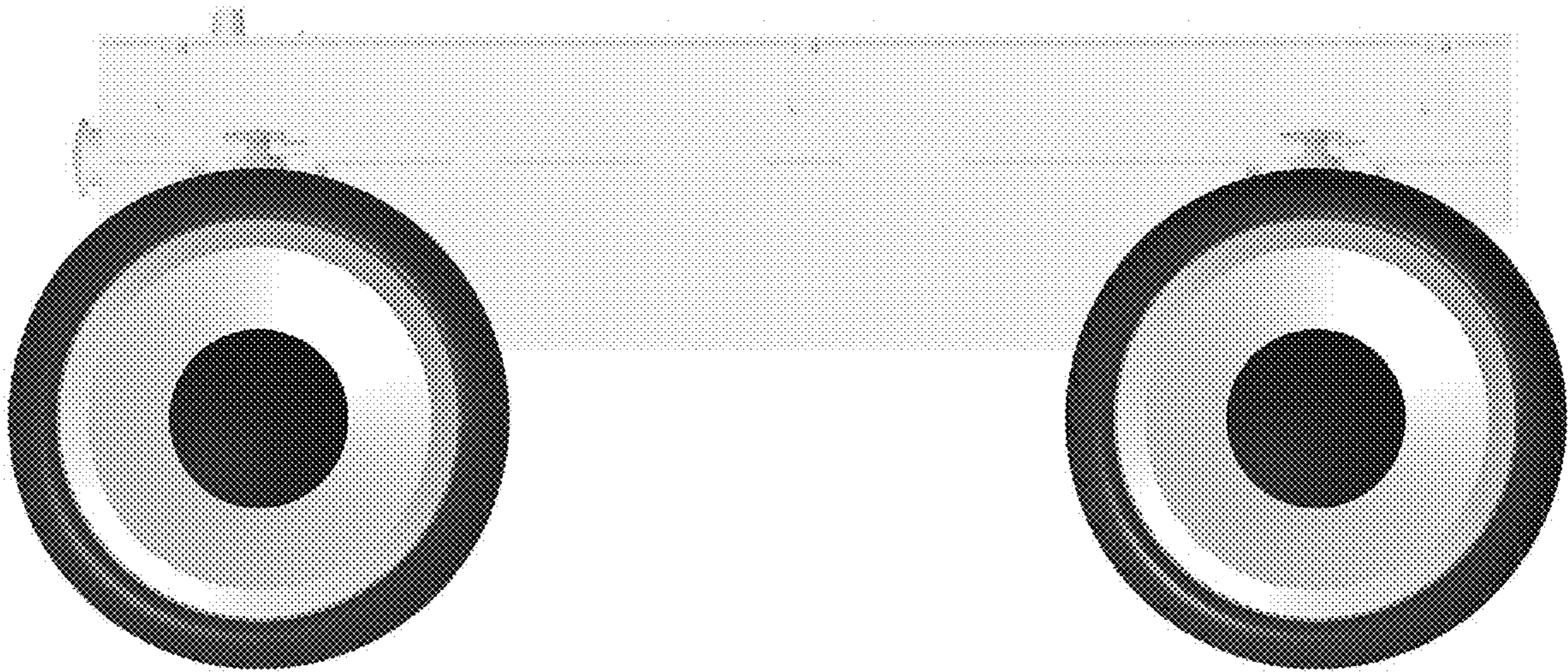
2.1



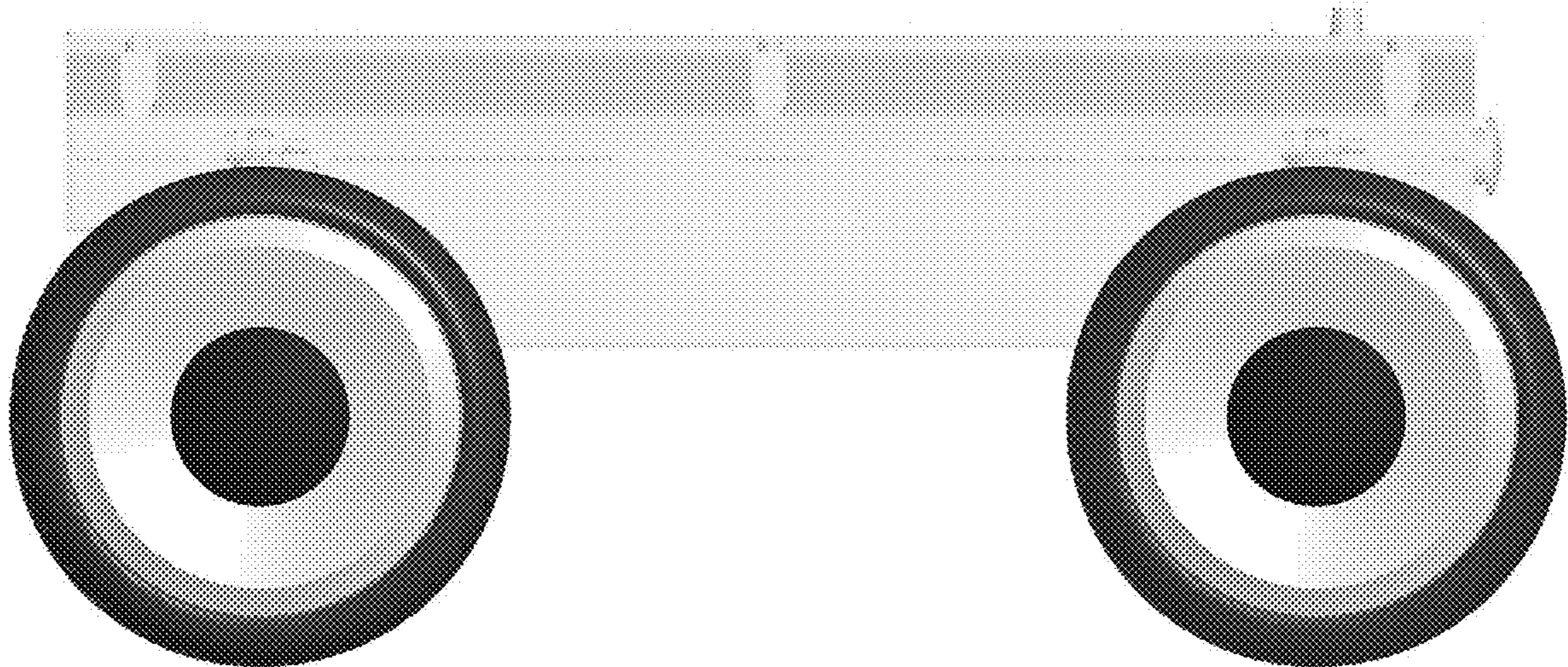
2.2



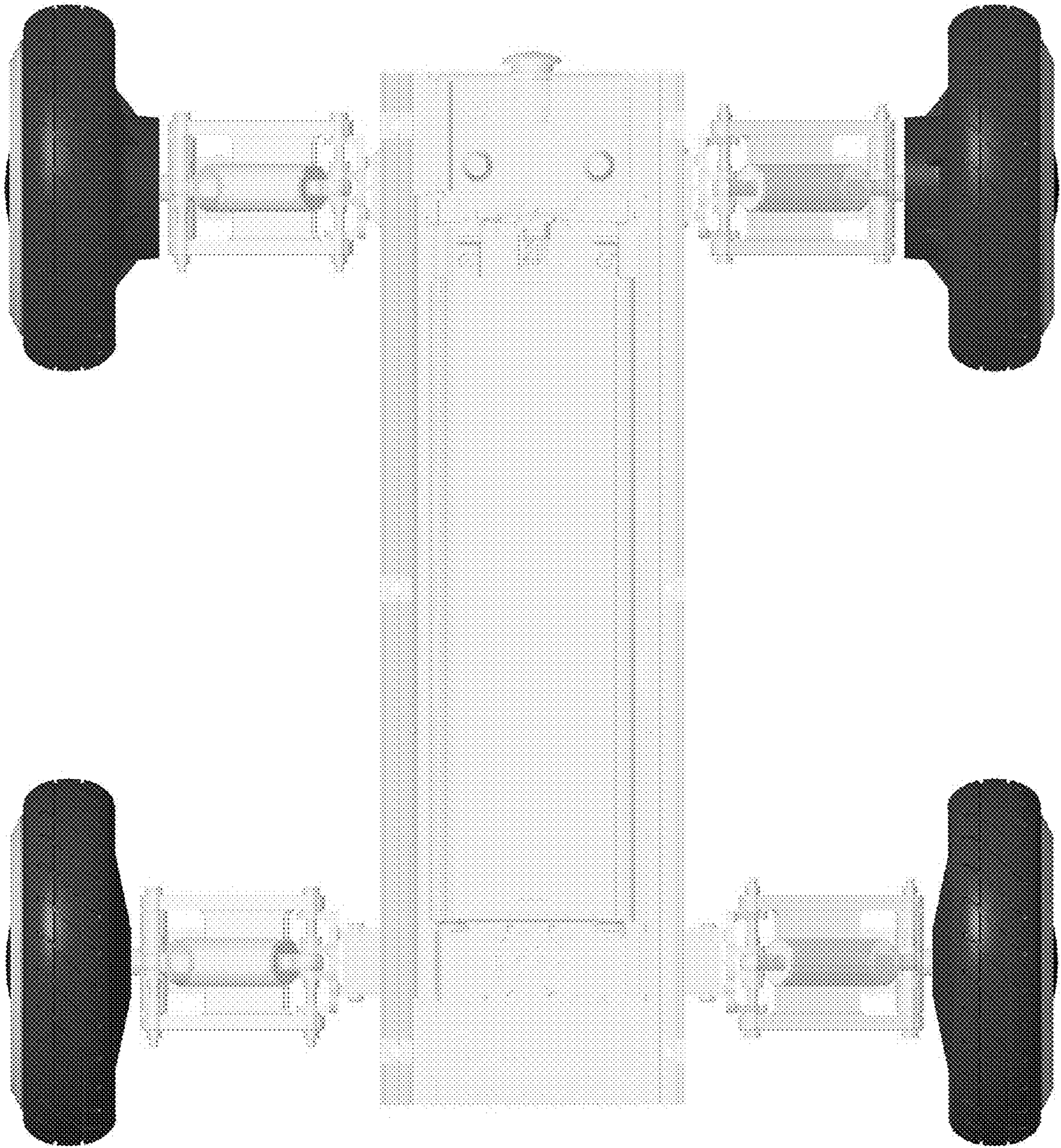
2.3



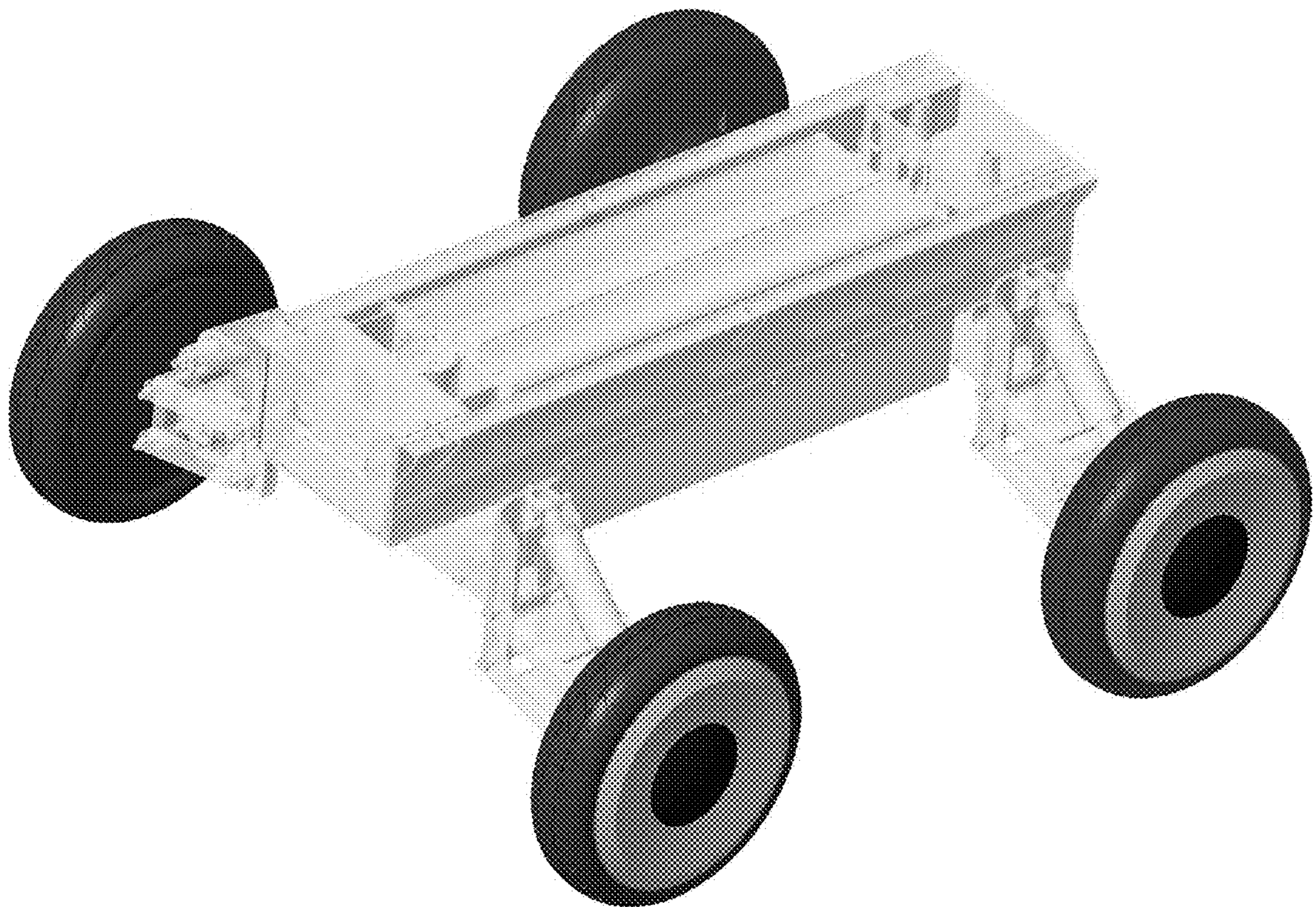
2.4



2.5



2.6



2.7

