

US00D978775S

(12) **United States Design Patent** (10) **Patent No.:** **US D978,775 S**
MacNeil et al. (45) **Date of Patent:** **** Feb. 21, 2023**

(54) **VEHICLE CUPHOLDER ADAPTER**
(71) Applicant: **MACNEIL IP LLC**, Bolingbrook, IL (US)
(72) Inventors: **David F. MacNeil**, Fort Lauderdale, FL (US); **Anne Crawford**, Geneva, IL (US); **Ryan Granger**, Lemont, IL (US)
(73) Assignee: **MACNEIL IP LLC**, Bolingbrook, IL (US)

D395,097 S 6/1998 Barton
D397,915 S * 9/1998 McNaughton D7/619.1
D400,763 S * 11/1998 Taylor D7/619.1
D402,666 S 12/1998 Golder
D407,408 S 3/1999 Hoff
5,897,041 A 4/1999 Ney et al.
D439,116 S 3/2001 White
6,246,766 B1 6/2001 Walsh
(Continued)

(**) Term: **15 Years**

(21) Appl. No.: **29/777,313**
(22) Filed: **Apr. 5, 2021**
(51) **LOC (14) Cl.** **12-16**
(52) **U.S. Cl.**
USPC **D12/419**
(58) **Field of Classification Search**
USPC D12/192, 195, 415-419, 421-423;
D7/509, 523, 619.1-625
CPC B60R 16/04; B63B 17/00; B63B 35/00;
B63B 25/00; B63B 7/085
See application file for complete search history.

FOREIGN PATENT DOCUMENTS

CN 202230277995.1 * 5/2022
CN 009174527-0001 * 9/2022

OTHER PUBLICATIONS

Amazon, Weather Tech CupCoffee, Mug Coffee Cup Holder, published Aug. 10, 2021 [retrieved Oct. 12, 2022]. Retrieved from the internet<<https://www.amazon.com/WeatherTech-CupCoffee-Coffee-Holder>> (Year: 2021).*

Primary Examiner — Joseph Kukella
Assistant Examiner — Lavon M Amerson
(74) *Attorney, Agent, or Firm* — Perkins IP Law Group LLC; Jefferson Perkins

(56) **References Cited**

U.S. PATENT DOCUMENTS

D246,086 S 10/1977 Graves
D259,038 S * 4/1981 Smith D12/345
D289,898 S 5/1987 Miller
5,088,673 A * 2/1992 Chandler B60N 3/103
D7/619.1
5,174,534 A 12/1992 Mitchell
D332,891 S * 2/1993 Cumberland D7/619.1
D338,556 S * 8/1993 McNamara D12/419
D338,597 S 8/1993 Dickey
5,285,953 A 2/1994 Smith
D361,017 S * 8/1995 Keven D7/619.1
D377,091 S 12/1996 Scott
5,676,340 A 10/1997 Ruhnau
5,745,565 A 4/1998 Wakefield

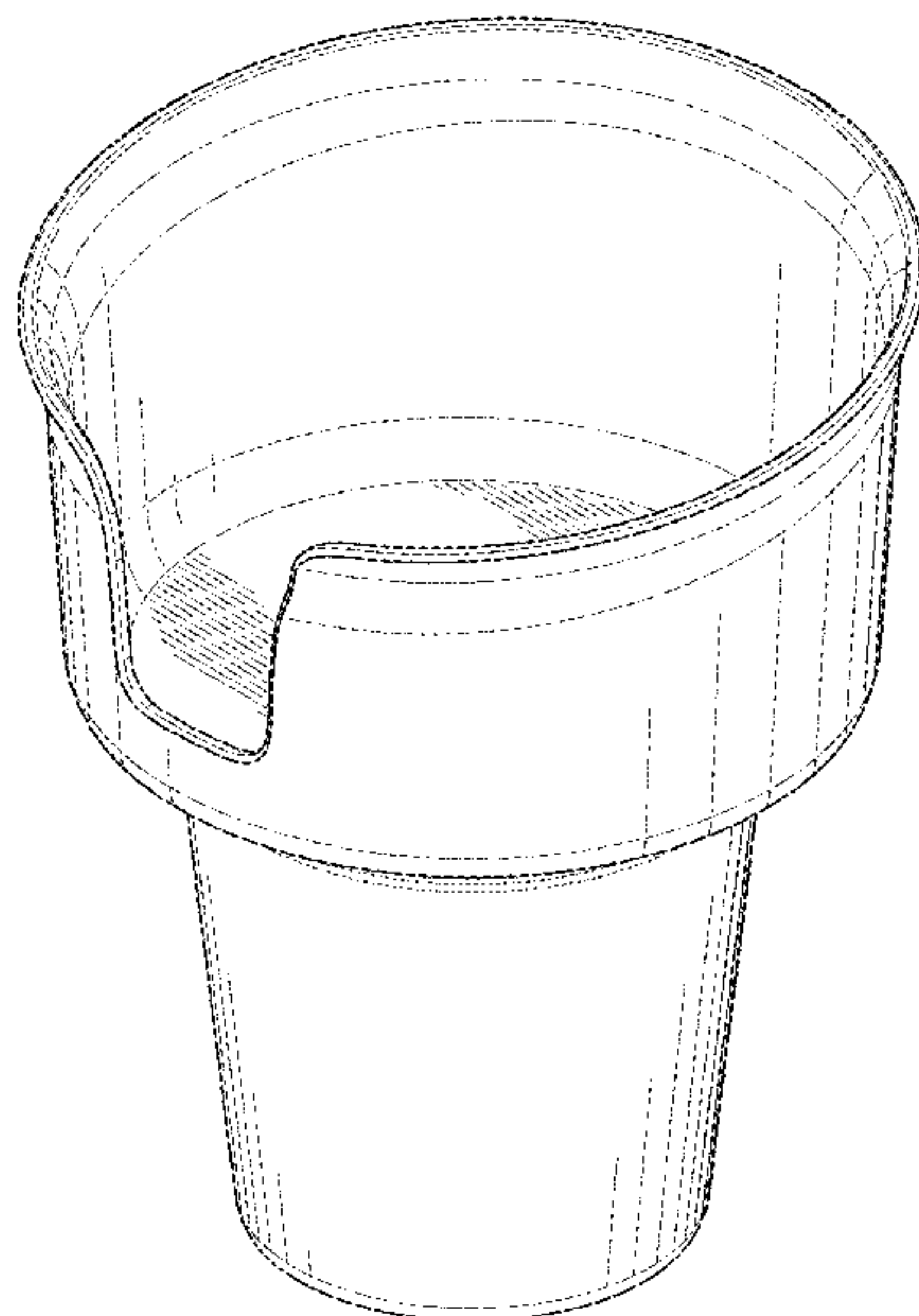
(57) **CLAIM**

We claim the ornamental design for a vehicle cupholder adapter, as shown and described.

DESCRIPTION

FIG. 1 is a top perspective view of our design;
FIG. 2 is a front view thereof;
FIG. 3 is a right side view thereof, a left side view being a mirror image of the right side view;
FIG. 4 is a back view thereof;
FIG. 5 is a top view thereof; and,
FIG. 6 is a bottom view thereof.
The broken lines shown illustrate environment that forms no part of the claimed design.

1 Claim, 6 Drawing Sheets



(56)

References Cited

U.S. PATENT DOCUMENTS

6,253,982	B1	7/2001	Gerardi	
6,267,340	B1	7/2001	Wang	
D447,024	S *	8/2001	Thomas	D12/419
6,315,153	B1	11/2001	Osborn	
D451,504	S	12/2001	Edwards	
D452,236	S	12/2001	Kohli	
D453,095	S	1/2002	Bailey	
D455,225	S	4/2002	Whitlock	
D475,044	S	5/2003	Kohli et al.	
D478,073	S	8/2003	Topinka	
D524,807	S	7/2006	Topinka	
D526,953	S *	8/2006	Hall	D12/419
7,099,466	B2	8/2006	Walsh	
7,099,467	B1	8/2006	Rohrbach	
7,140,586	B2	11/2006	Seil et al.	
7,708,247	B2	5/2010	Lota	
D631,699	S *	2/2011	Moreau	D7/619.1
D658,922	S *	5/2012	Fallon	D7/509
D714,594	S *	10/2014	Blandl	D12/419
8,922,354	B2	12/2014	Nagara et al.	
9,162,630	B2	10/2015	Pluta	
D777,720	S	1/2017	Russell	
D798,673	S *	10/2017	Gilmore	D7/624.1
9,987,993	B2	6/2018	Thorimbert	
D835,113	S	12/2018	Kim	
10,155,482	B2	12/2018	Corso	
D877,045	S	3/2020	Johnson	
D906,229	S *	12/2020	Han	D12/419
D913,201	S	3/2021	Jia	
D918,645	S	5/2021	Swidler	
D964,912	S *	9/2022	Wang	D12/419
2002/0049081	A1	4/2002	Heininger	
2002/0094078	A1	7/2002	Edwards	
2018/0119075	A1	5/2018	Schultz	

* cited by examiner

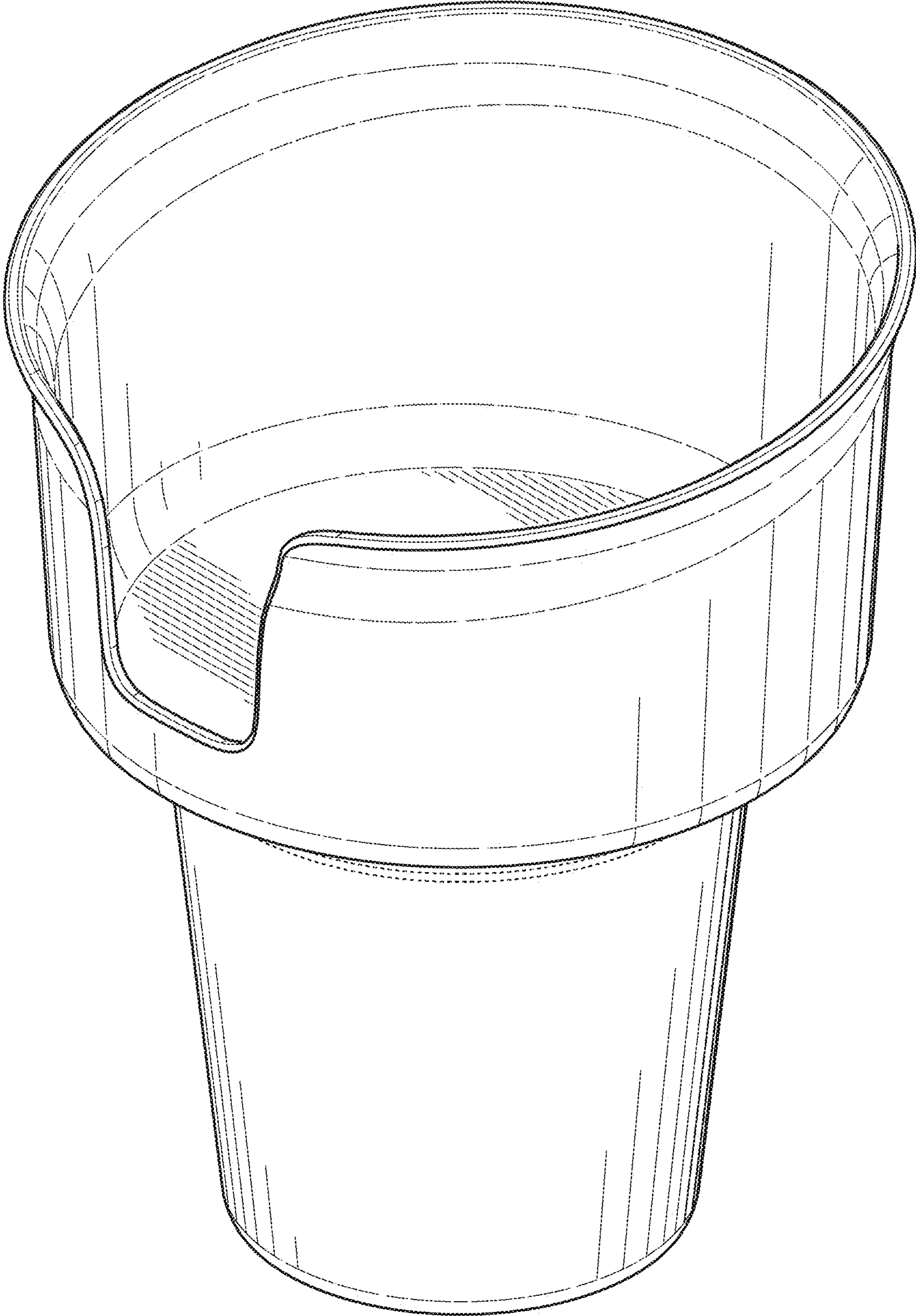


FIG. 1

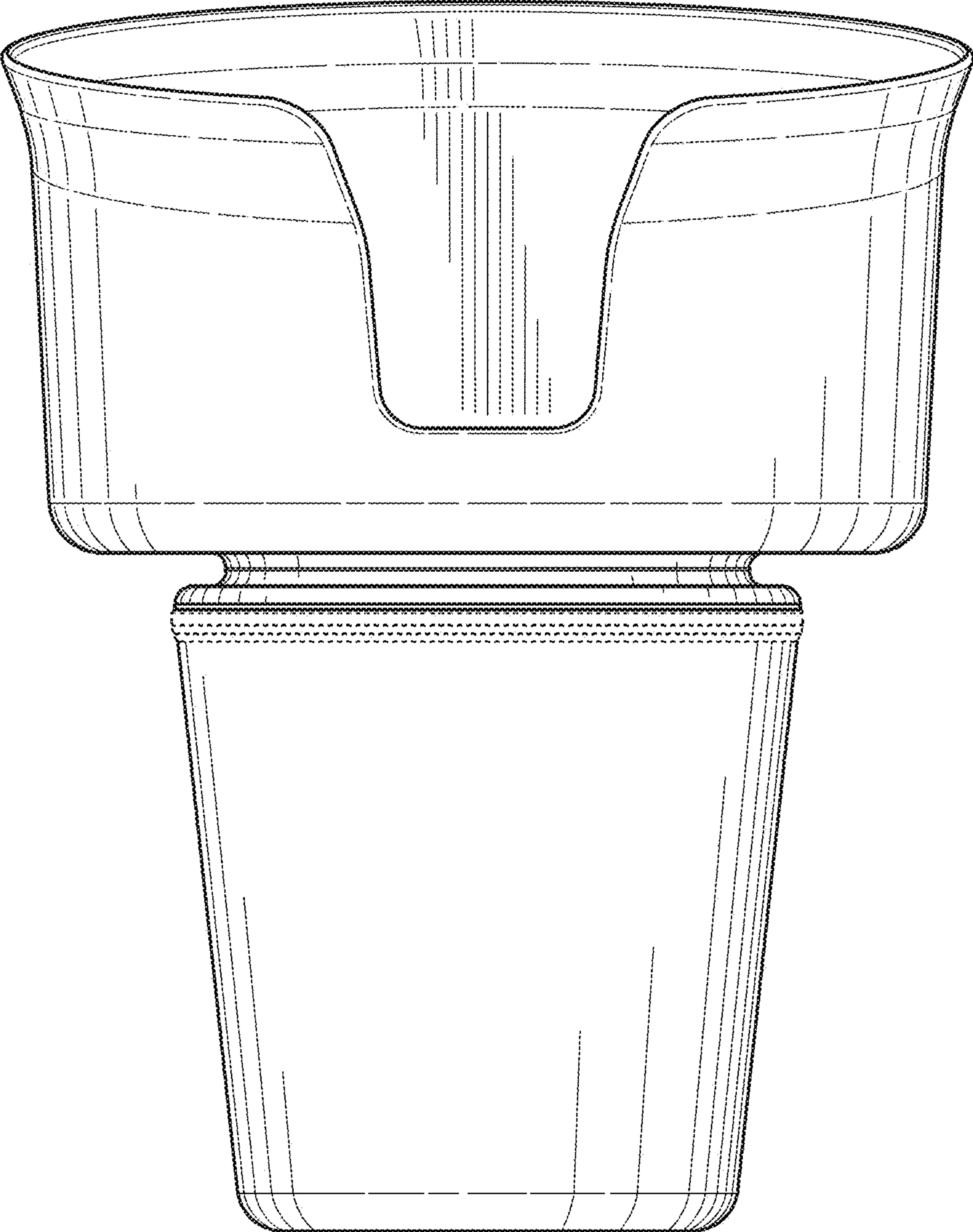


FIG. 2

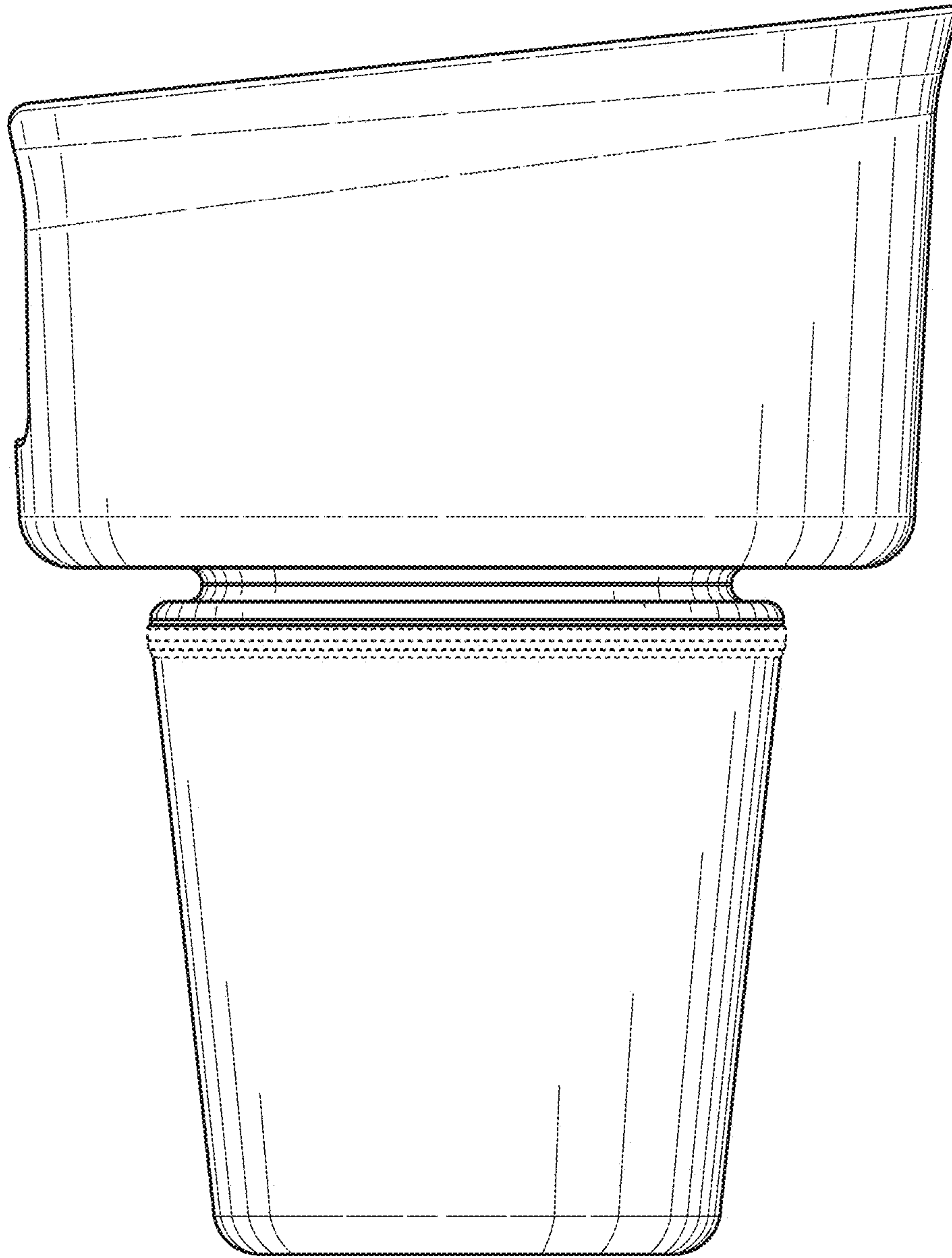


FIG. 3

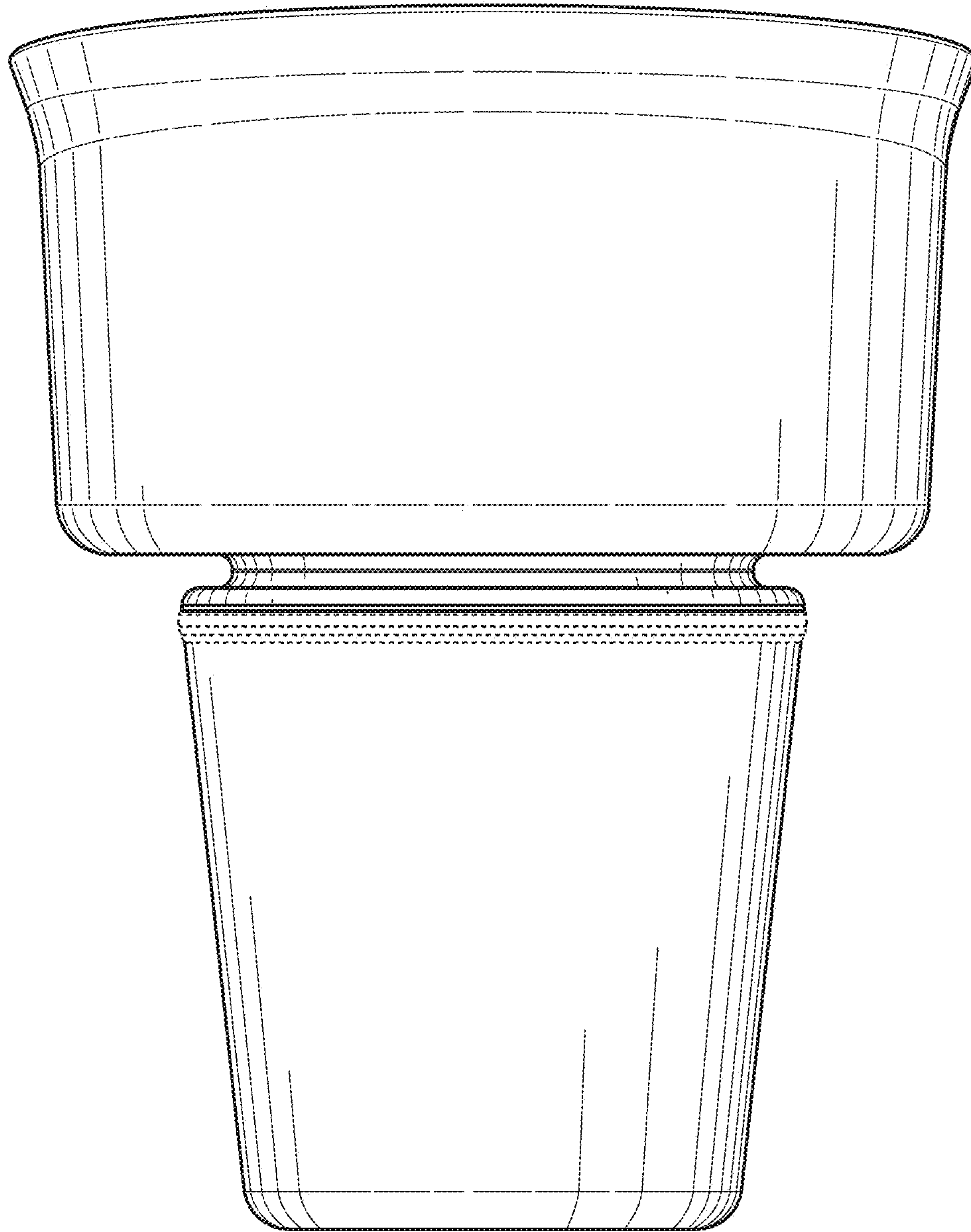


FIG. 4

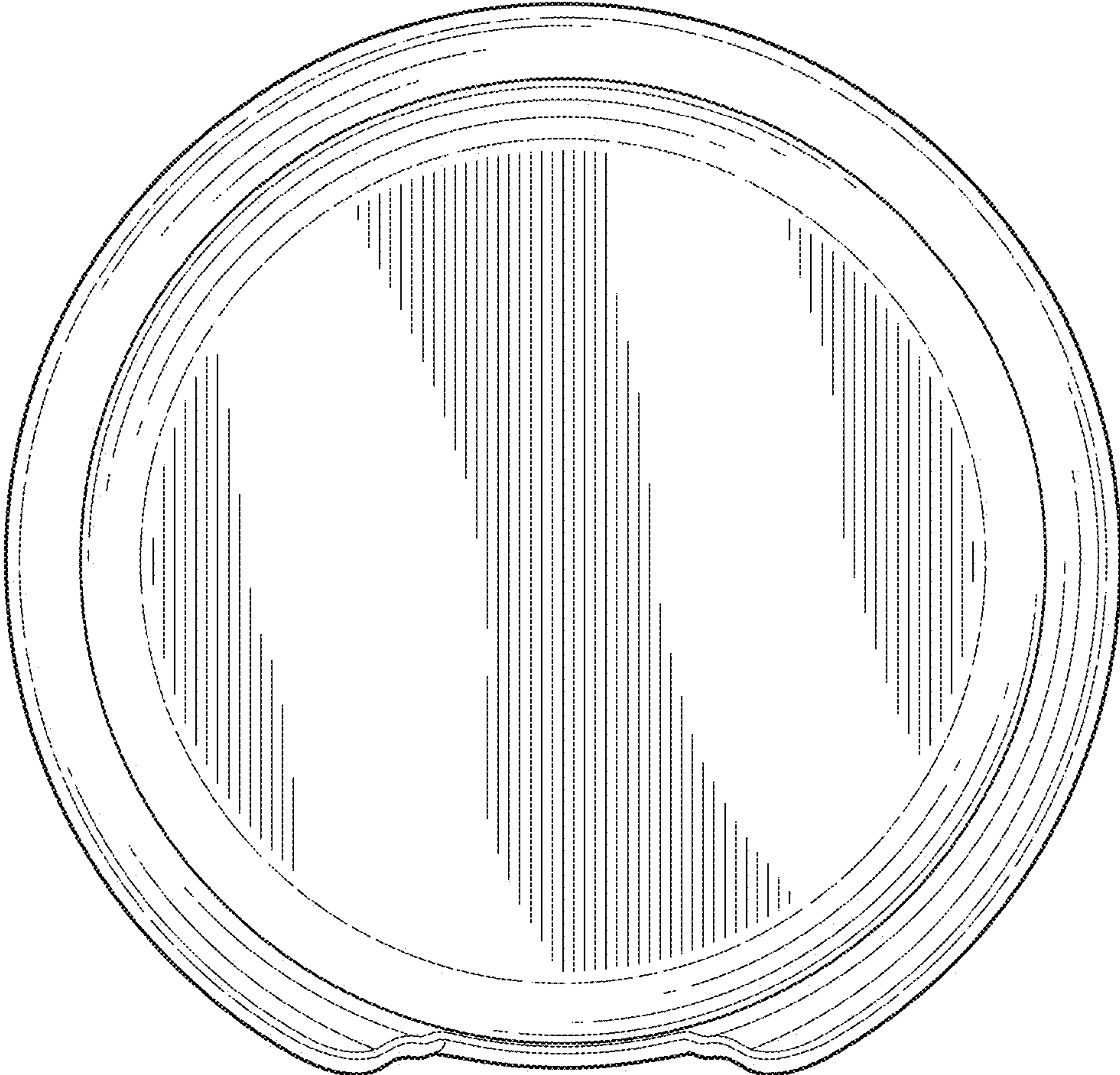


FIG. 5

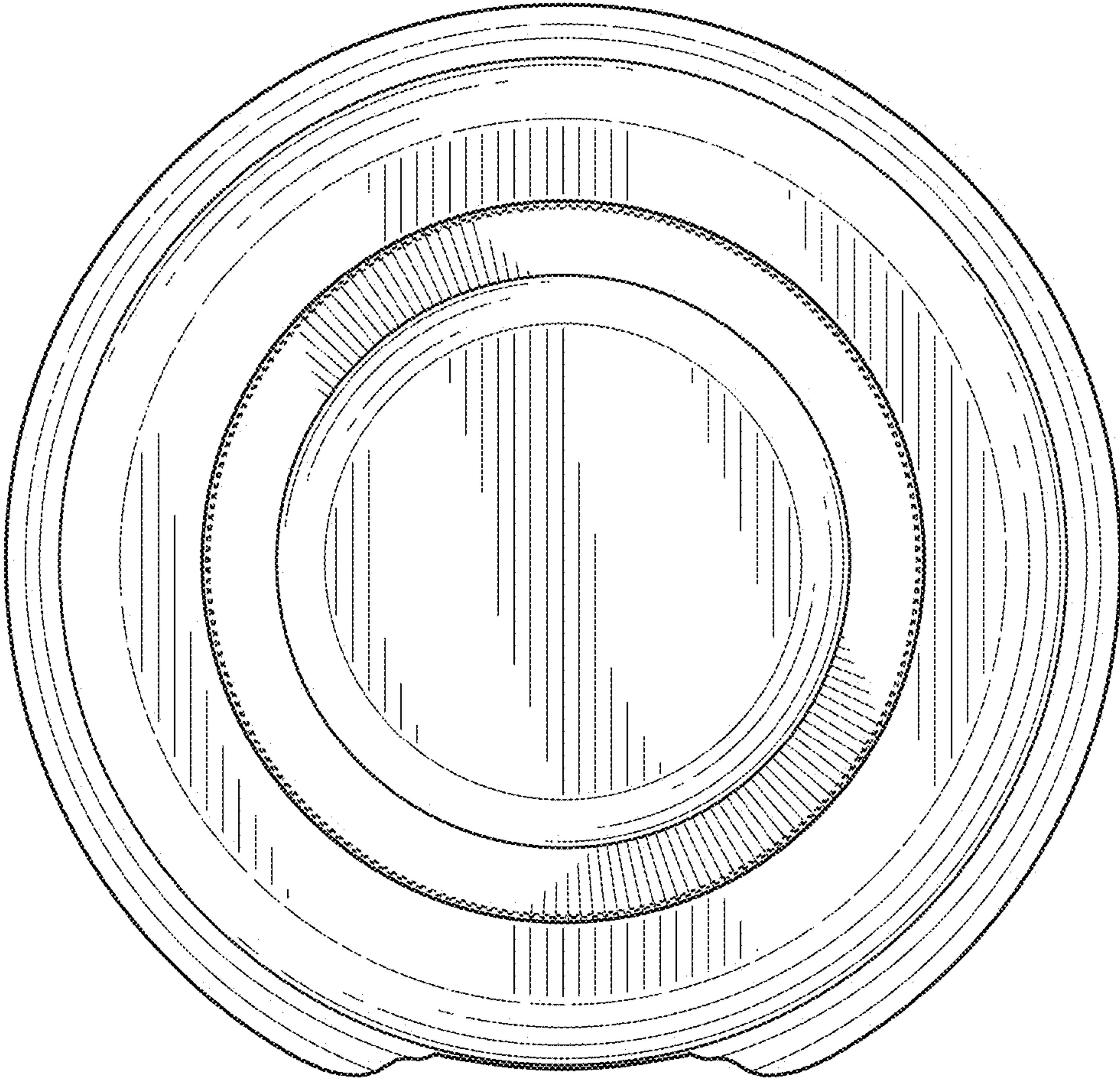


FIG. 6