



US00D978770S

(12) **United States Design Patent**  
**Park**

(10) **Patent No.:** **US D978,770 S**

(45) **Date of Patent:** **\*\* Feb. 21, 2023**

(54) **FIXING BRACKET FOR A ROOFTOP TENT**

(71) Applicant: **IKAMPER CO., LTD.**, Paju-si (KR)

(72) Inventor: **Soongyu Park**, Paju-si (KR)

(\*\*) Term: **15 Years**

(21) Appl. No.: **35/513,705**

(22) Filed: **Aug. 25, 2021**

(80) **Hague Agreement Data**

Int. Filing Date: **Aug. 25, 2021**

Int. Reg. No.: **DM/217796**

Int. Reg. Date: **Aug. 25, 2021**

Int. Reg. Pub. Date: **Feb. 25, 2022**

(30) **Foreign Application Priority Data**

May 10, 2021 (KR) ..... 30-2021-0022340

(51) **LOC (14) Cl.** ..... **12-16**

(52) **U.S. Cl.**  
USPC ..... **D12/412**

(58) **Field of Classification Search**  
USPC ..... D12/412, 406, 413, 414, 414.1; D6/552,  
D6/304-306

CPC ..... B60R 9/045; B60R 9/048; B60R 9/04  
See application file for complete search history.

(56) **References Cited**

**U.S. PATENT DOCUMENTS**

D902,835 S \* 11/2020 Badillo ..... D12/412

D905,616 S \* 12/2020 Badillo ..... D12/412

D906,225 S \* 12/2020 Eriksson ..... D12/412

D908,071 S \* 1/2021 Connellan ..... D12/412

D919,550 S \* 5/2021 Teng ..... D12/412

D922,931 S \* 6/2021 Badillo ..... D8/349

D940,631 S \* 1/2022 Gangappa ..... D12/412

D964,255 S \* 9/2022 Badillo ..... D12/412

D966,995 S \* 10/2022 Menegazzo ..... D12/412

D968,311 S \* 11/2022 Kuang ..... D12/412

\* cited by examiner

*Primary Examiner* — Katrina A Betton

(57) **CLAIM**

The ornamental design for a fixing bracket for a rooftop tent, as shown and described.

**DESCRIPTION**

1. Fixing bracket for a rooftop tent

1.1 : Perspective

1.2 : Front

1.3 : Back

1.4 : Left

1.5 : Right

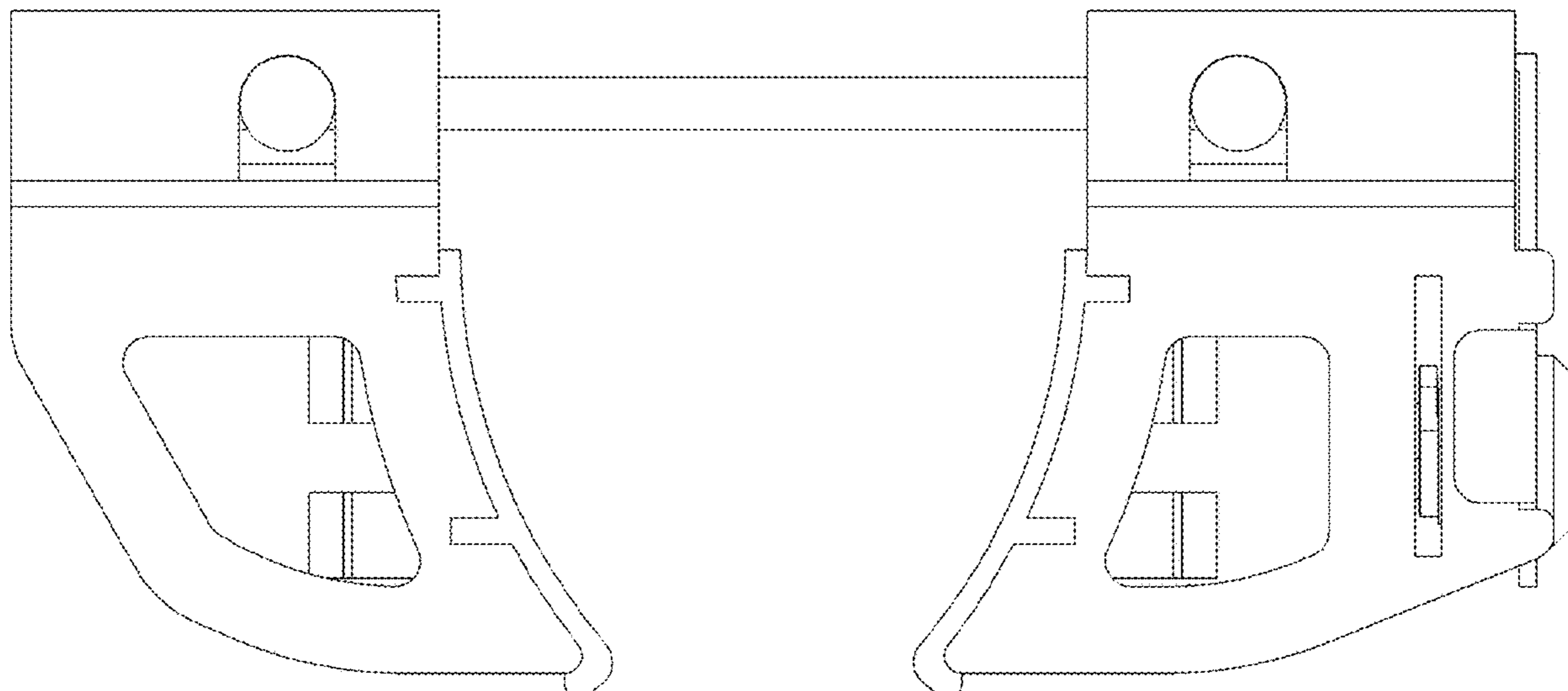
1.6 : Top

1.7 : Bottom

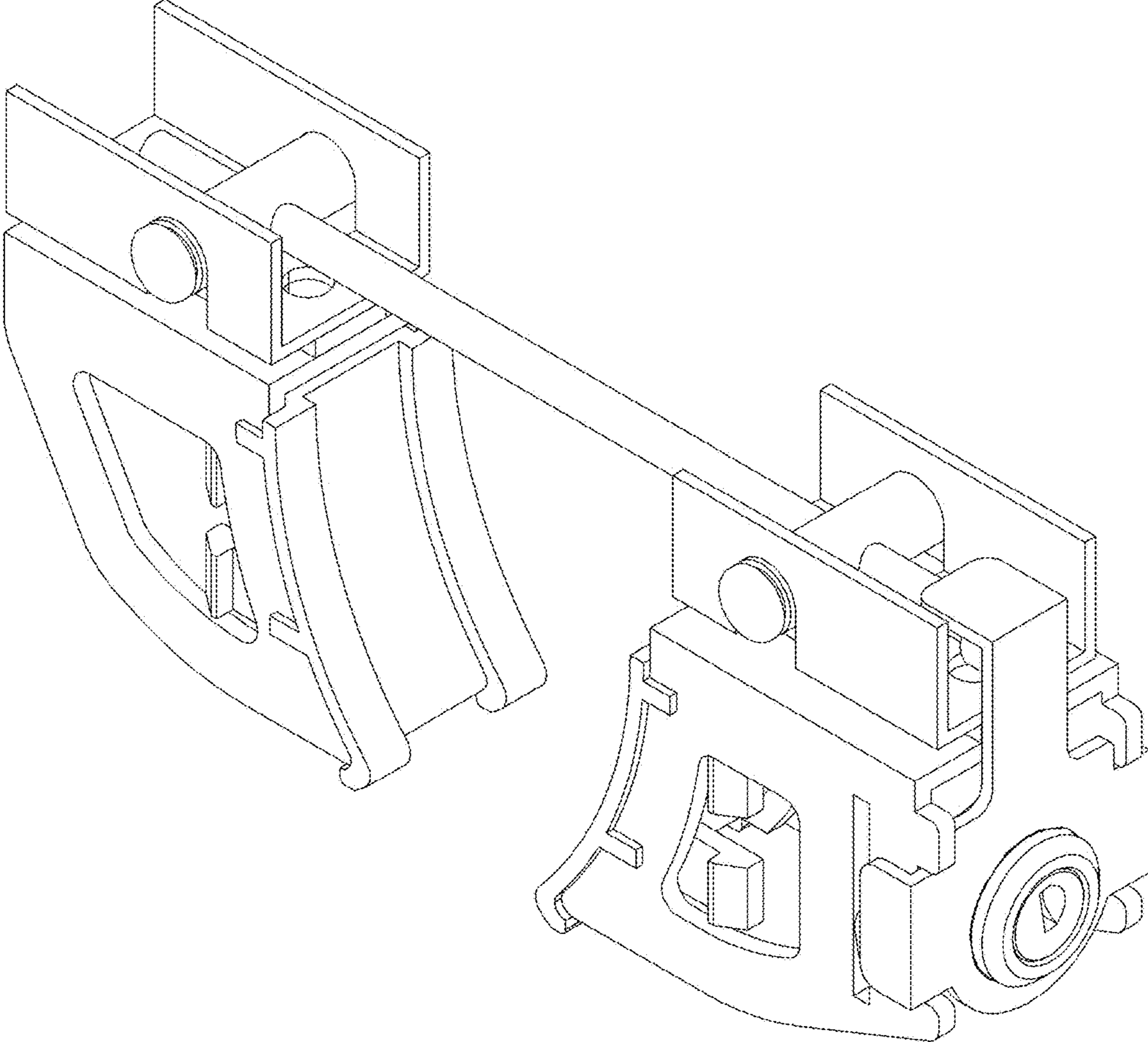
1.8 : Reference

The design is a fixing bracket for a rooftop tent and reference is made to the accompanying reproductions showing the design; reference view 1.8 forms no part of the claimed design.

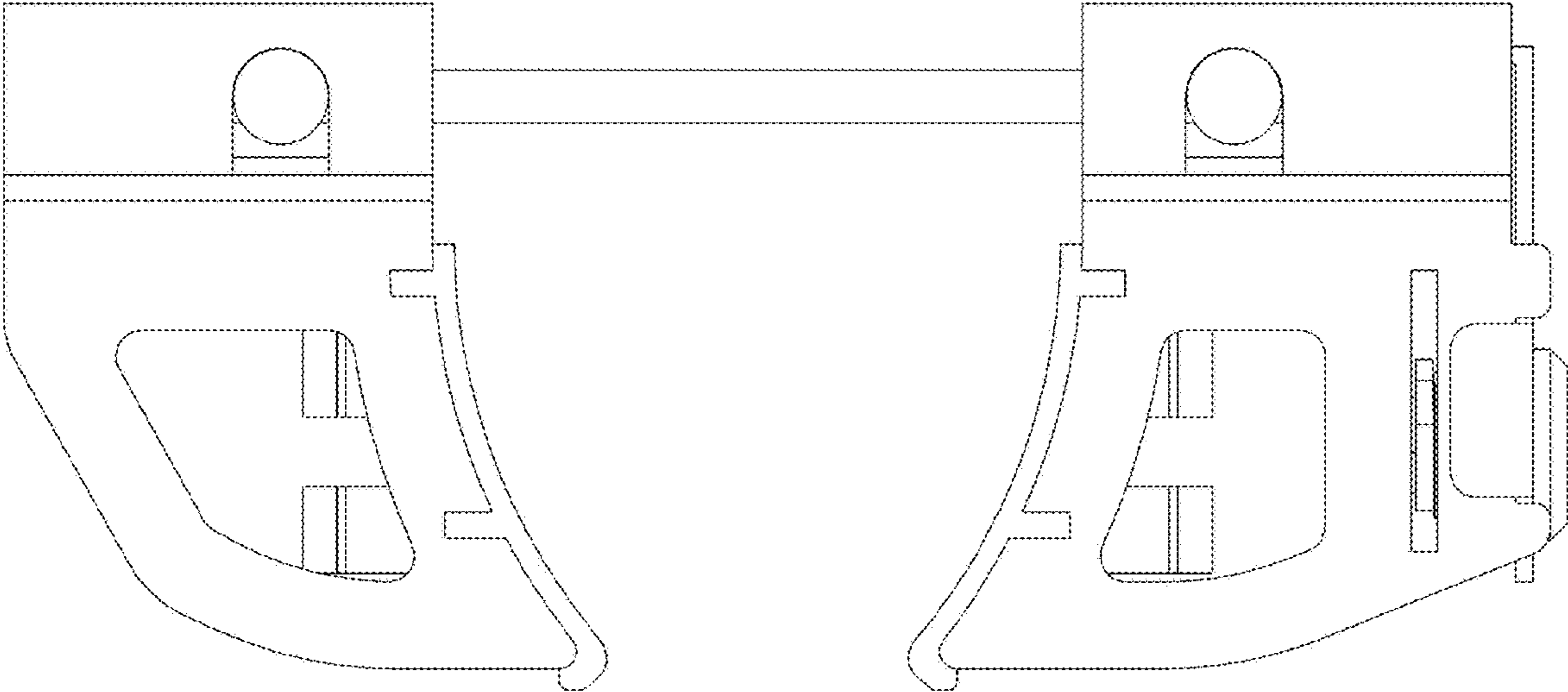
**1 Claim, 8 Drawing Sheets**



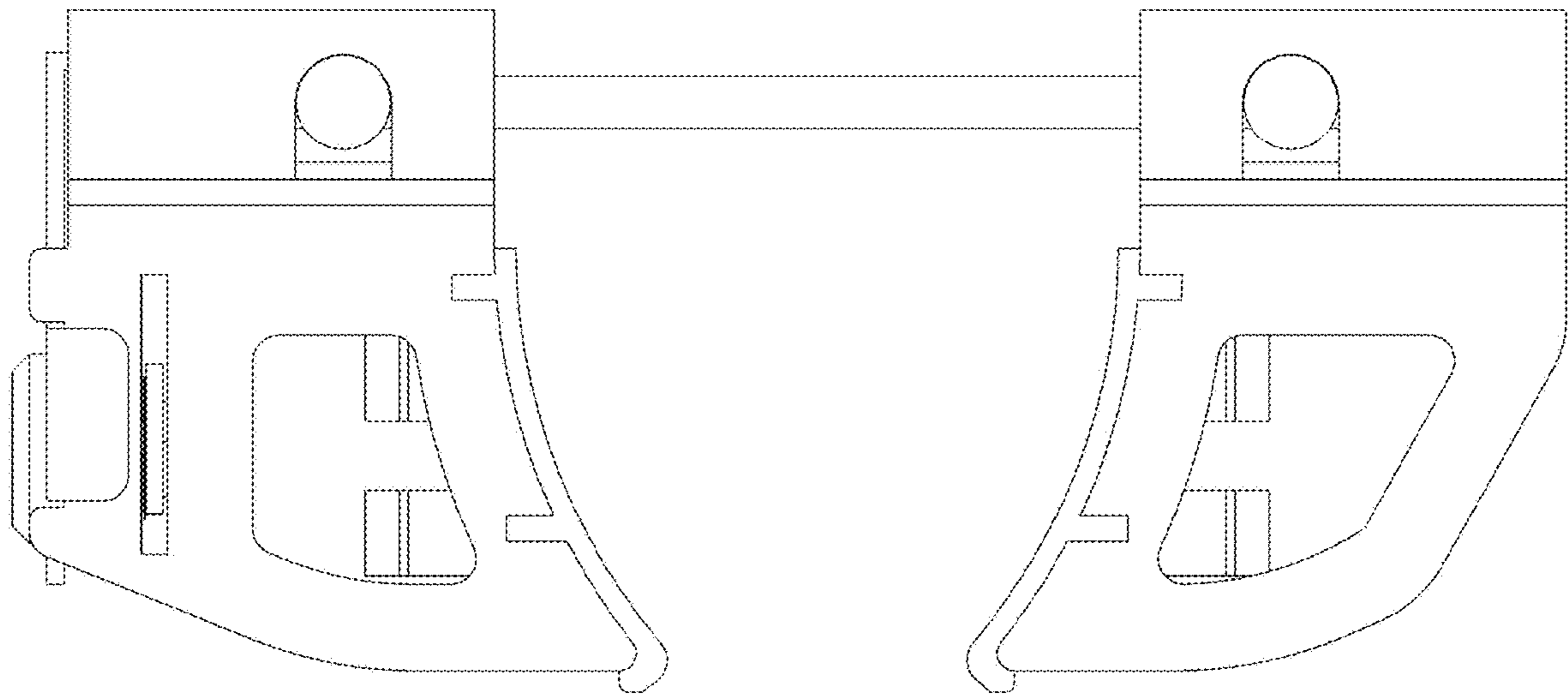
1.1



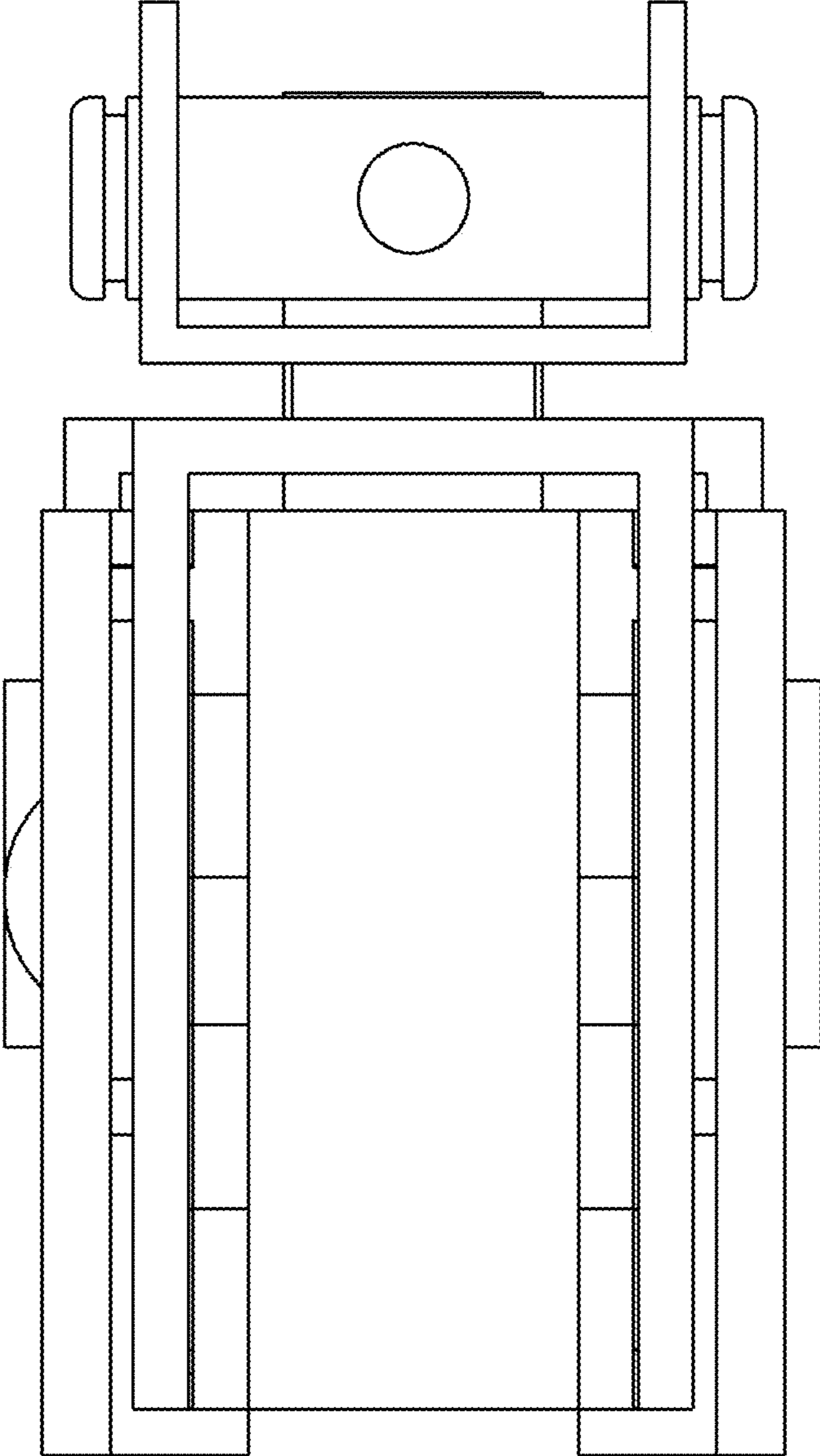
1.2



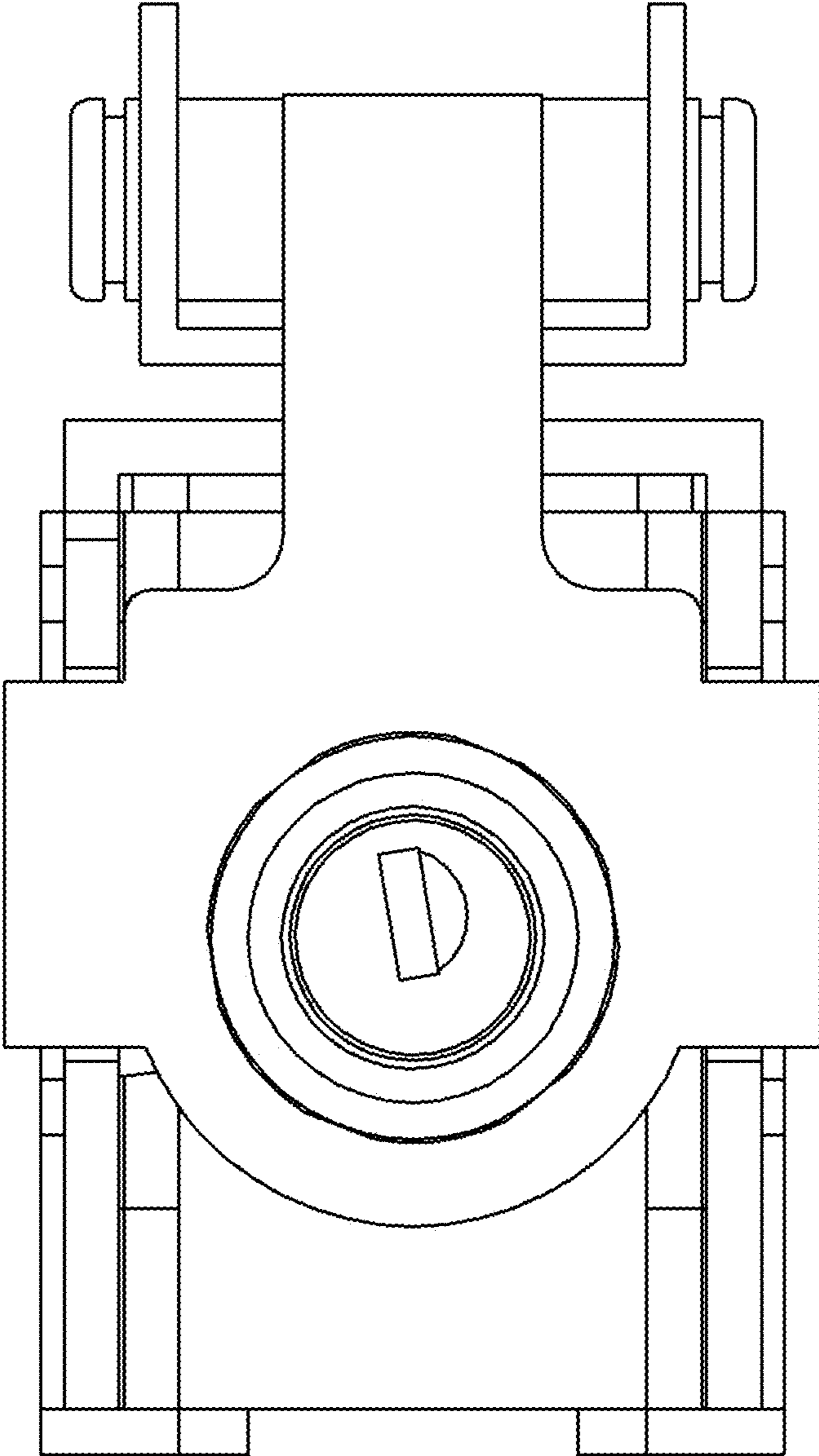
1.3



1.4

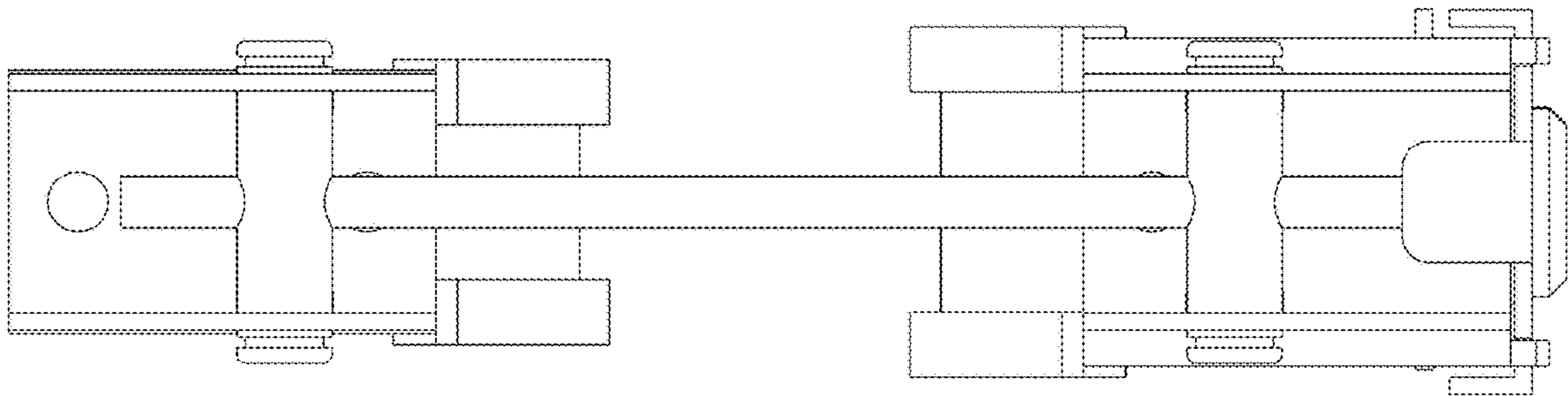


1.5

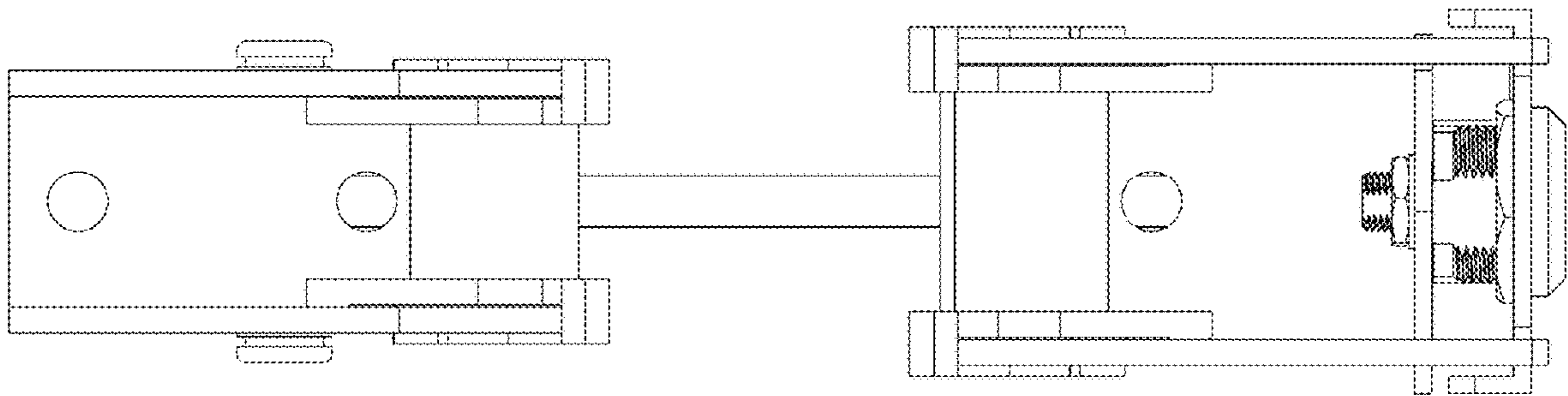




1.6



1.7





1.8

