



US00D978768S

(12) **United States Design Patent** (10) **Patent No.:** **US D978,768 S**
Morrison et al. (45) **Date of Patent:** **** Feb. 21, 2023**

(54) **AIRCRAFT AIRFRAME**
(71) Applicant: **Alakai Technologies Corporation**,
Hopkinton, MA (US)
(72) Inventors: **Brian D. Morrison**, Hopkinton, MA
(US); **Andre H. De Salis**, Pasadena,
CA (US); **Martti J. Lampela**, Los
Angeles, CA (US); **Adil M. Ali**,
Thousand Oaks, CA (US); **Peter F.**
Falt, Thousand Oaks, CA (US)
(73) Assignee: **Alakai Technologies Corporation**,
Stow, MA (US)
(**) Term: **15 Years**
(21) Appl. No.: **29/779,140**
(22) Filed: **May 13, 2021**
(51) **LOC (14) Cl.** **12-07**
(52) **U.S. Cl.**
USPC **D12/328**
(58) **Field of Classification Search**
USPC D12/1, 2, 3, 4, 16.1, 174, 319–345;
D21/436–455
CPC B64C 29/0033; B64C 2201/021; B64C
29/02; B64C 2201/088; B64C 2201/104;
B64C 2201/141
See application file for complete search history.

9,981,750 B2 5/2018 Williams et al.
D822,579 S 7/2018 Lienhard et al.
D843,306 S 3/2019 Tzarnotzky et al.
10,351,235 B2 7/2019 Karem et al.
D865,636 S 11/2019 Reichert et al.
D875,022 S 2/2020 Cummings
10,562,618 B2 2/2020 Robertson et al.
D912,601 S * 3/2021 Morrison D12/345
D912,602 S * 3/2021 Morrison D12/345
D912,603 S * 3/2021 Morrison D12/345
D913,195 S * 3/2021 Morrison D12/345
D913,196 S * 3/2021 Morrison D12/345

(Continued)

OTHER PUBLICATIONS

Fueled by Hydrogen.Powered by Simplicity. (video) [May 20,
2020] found online [May 20, 2020]—<https://skai.co/>.

Primary Examiner — John A Voytek

(74) *Attorney, Agent, or Firm* — Morse, Barnes-Brown &
Pendleton, P.C.; Sean D. Detweiler, Esq.

(57) **CLAIM**

The ornamental design for an aircraft airframe, as shown and
described.

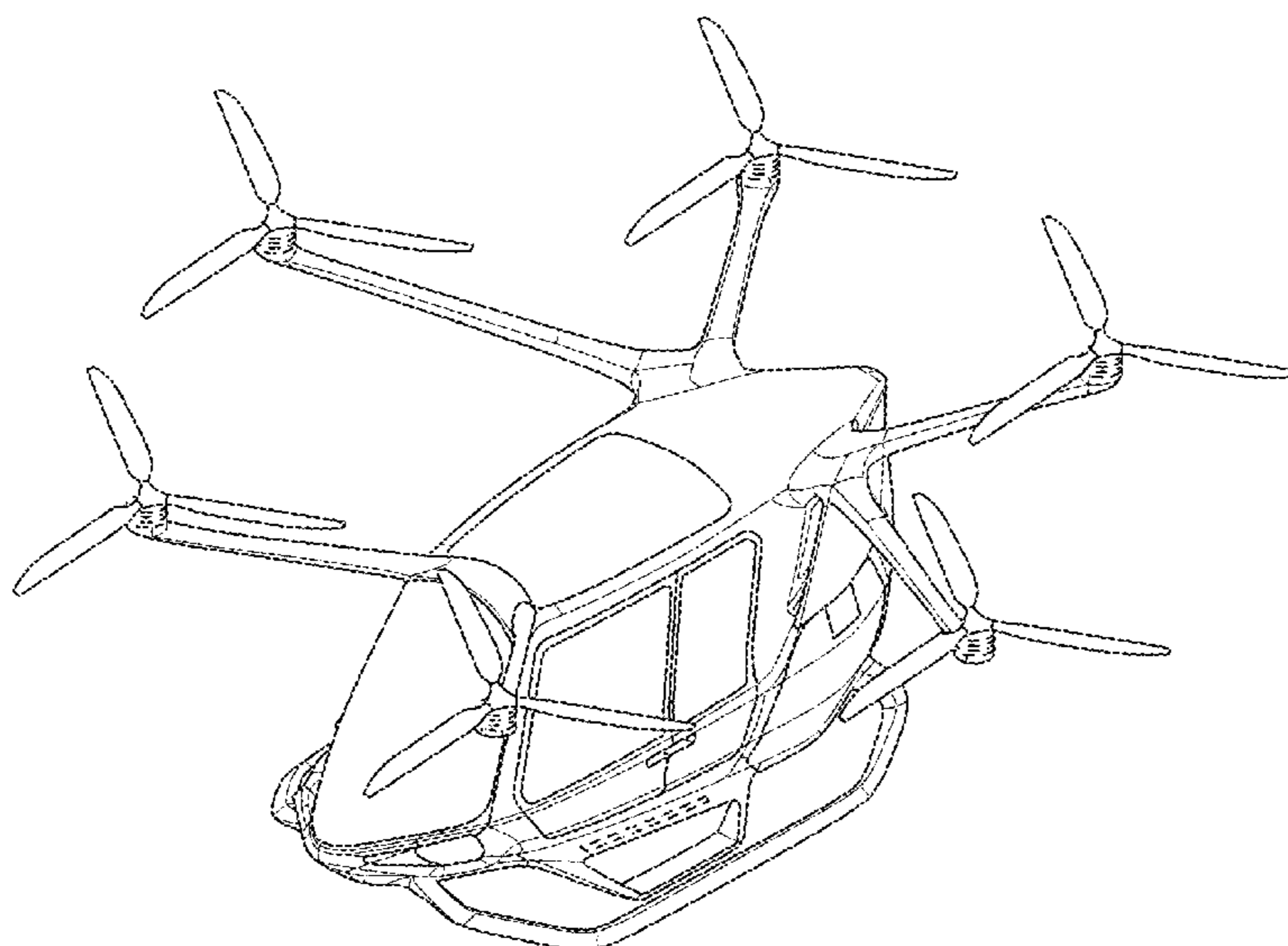
DESCRIPTION

This application is a continuation of U.S. application Ser.
No. 29/692,480 filed May 24, 2019, which is expressly and
entirely incorporated herein by reference.

FIG. 1 is a front plan view of the aircraft airframe;
FIG. 2 is a rear plan view of the aircraft airframe;
FIG. 3 is a right side elevated isometric view of the aircraft
airframe;
FIG. 4 is a left side plan view of the aircraft airframe;
FIG. 5 is a top plan view of the aircraft airframe;
FIG. 6 is a right plan view of the aircraft airframe; and,
FIG. 7 is bottom plan view of the aircraft airframe.
The broken lines shown in the drawings illustrate portions of
the article that form no part of the claimed design.

1 Claim, 4 Drawing Sheets

(56) **References Cited**
U.S. PATENT DOCUMENTS
6,260,793 B1 7/2001 Balayn et al.
D454,109 S 3/2002 Moshier
D678,169 S 3/2013 Kennelly et al.
D731,395 S 6/2015 Ivans et al.
D785,541 S 5/2017 Du et al.
D795,967 S 8/2017 Haley et al.
D816,547 S 5/2018 Cui
D816,583 S 5/2018 Dutertre
9,975,631 B1 5/2018 McLaren et al.



(56)

References Cited

U.S. PATENT DOCUMENTS

D926,665 S * 8/2021 Morrison D12/345
11,208,206 B1 * 12/2021 Auerbach B64D 27/24
2015/0274294 A1 * 10/2015 Dahlstrom E04G 23/002
239/722
2016/0304194 A1 10/2016 Bevirt et al.
2017/0137122 A1 5/2017 Kooiman et al.
2018/0079503 A1 3/2018 Ivans et al.
2018/0290735 A1 10/2018 Uptigrove
2019/0092461 A1 3/2019 Duffy et al.
2019/0176980 A1 6/2019 Brand et al.
2020/0062382 A1 2/2020 Schank
2020/0079520 A1 3/2020 Demizu et al.
2020/0086971 A1 3/2020 Heeringa
2021/0339881 A1 * 11/2021 Bevirt B64D 31/12

* cited by examiner

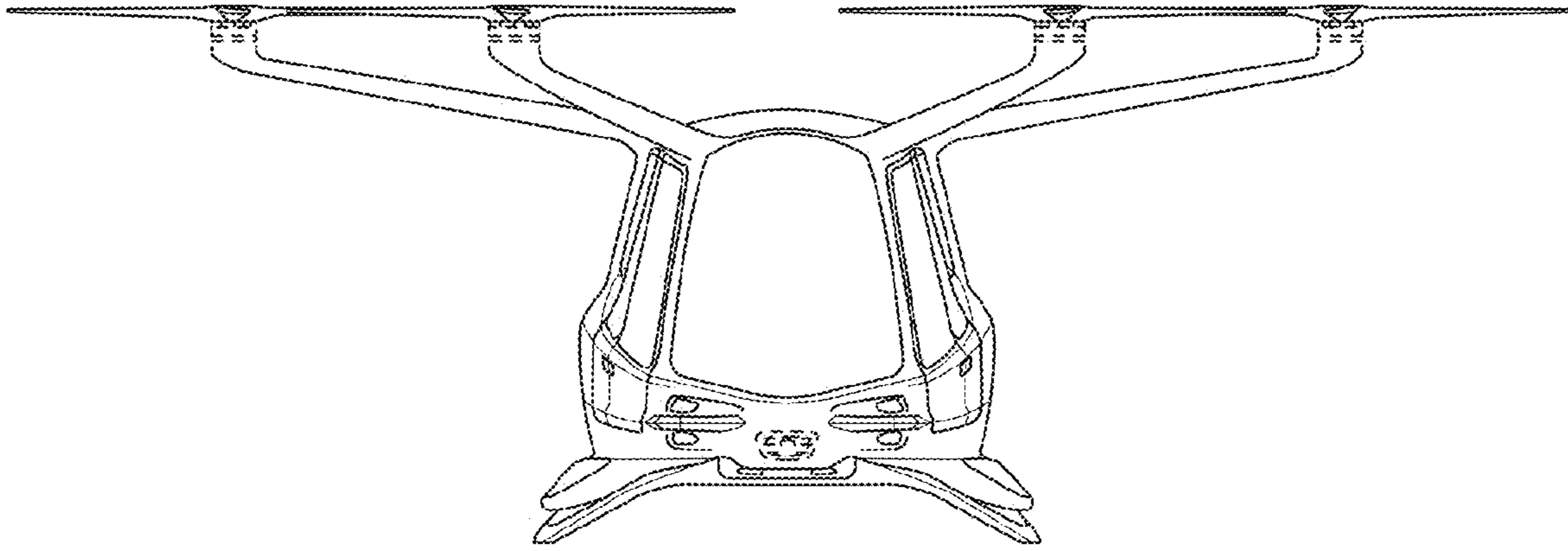


Fig. 1

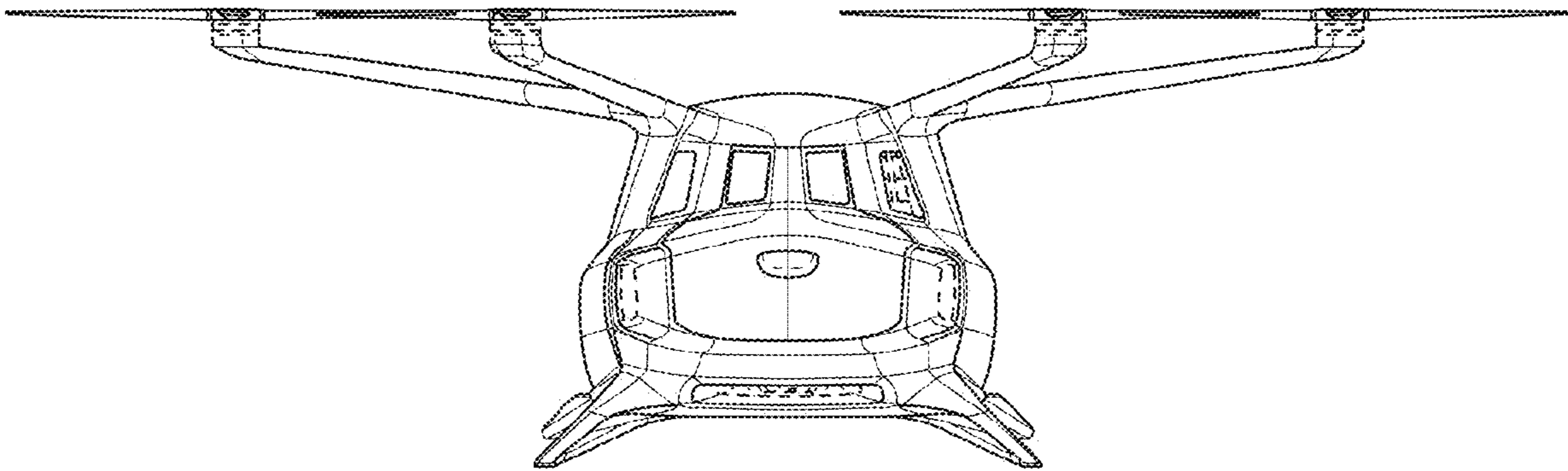


Fig. 2

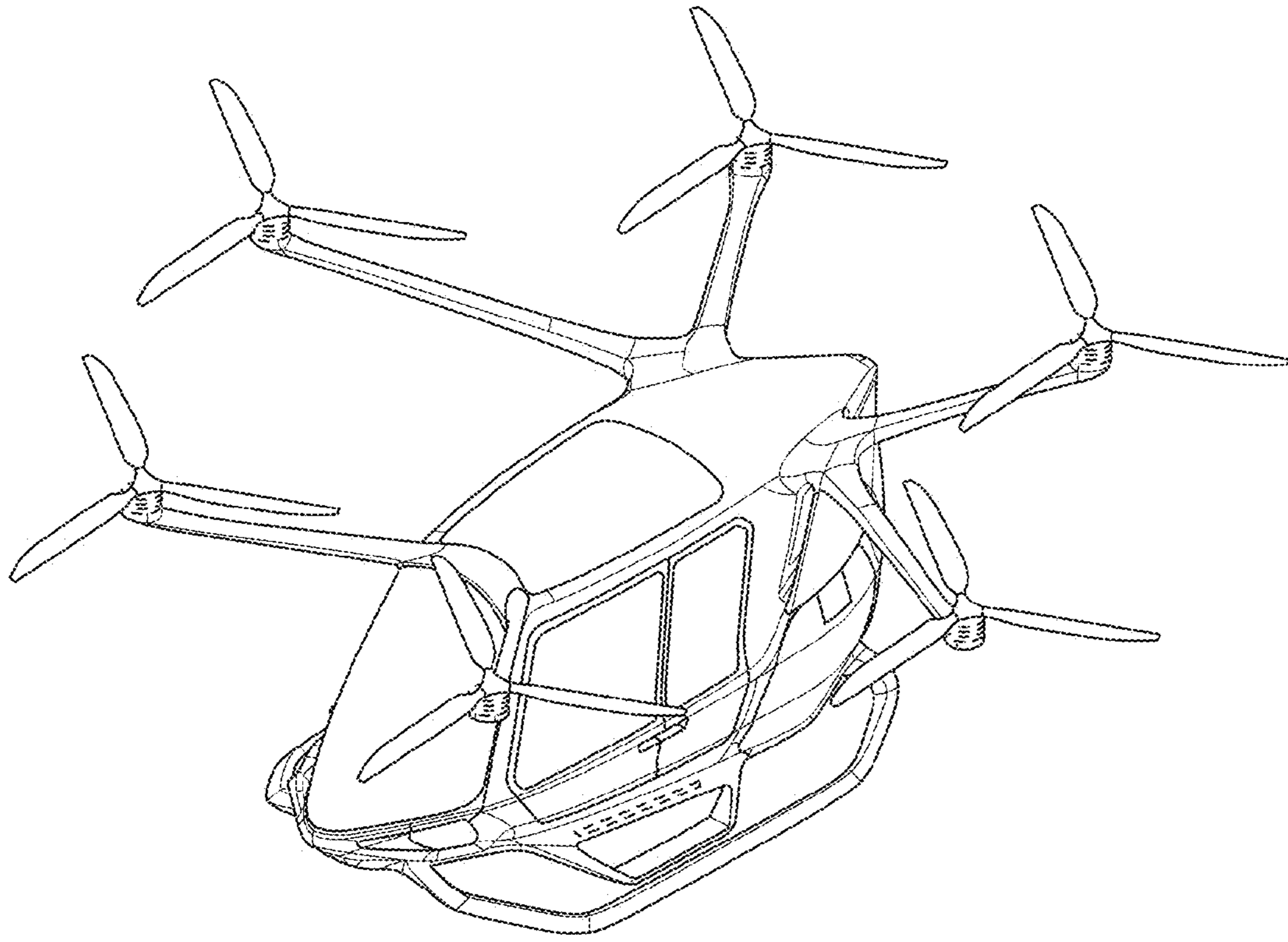


Fig. 3

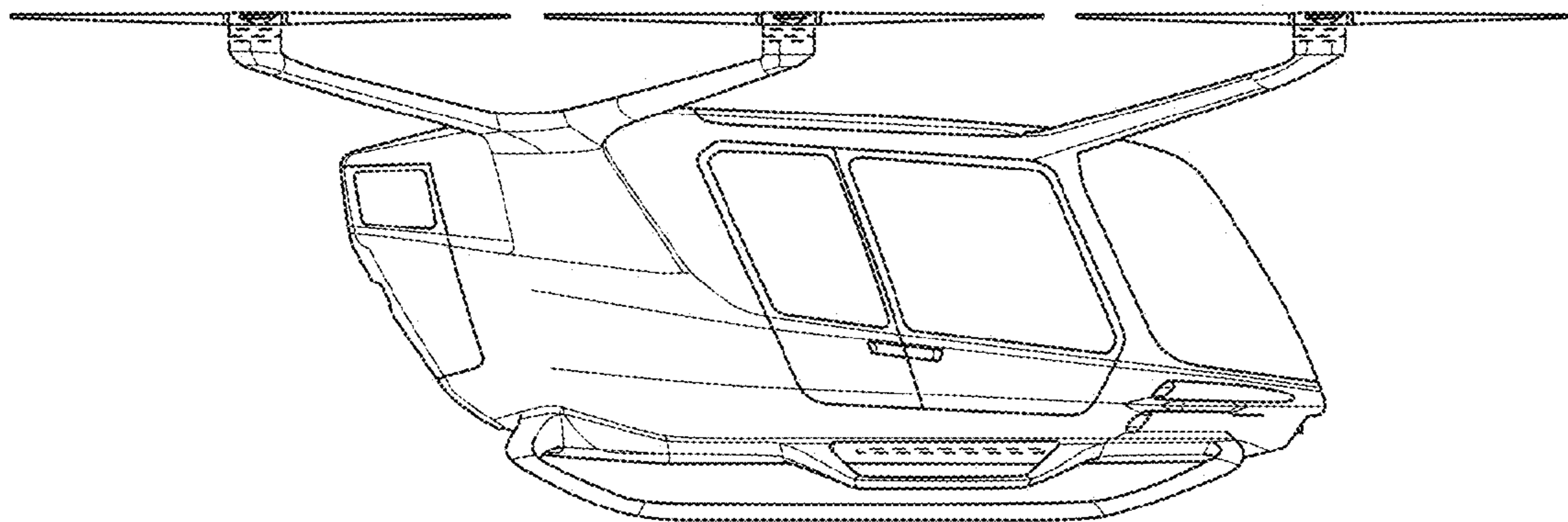


Fig. 4

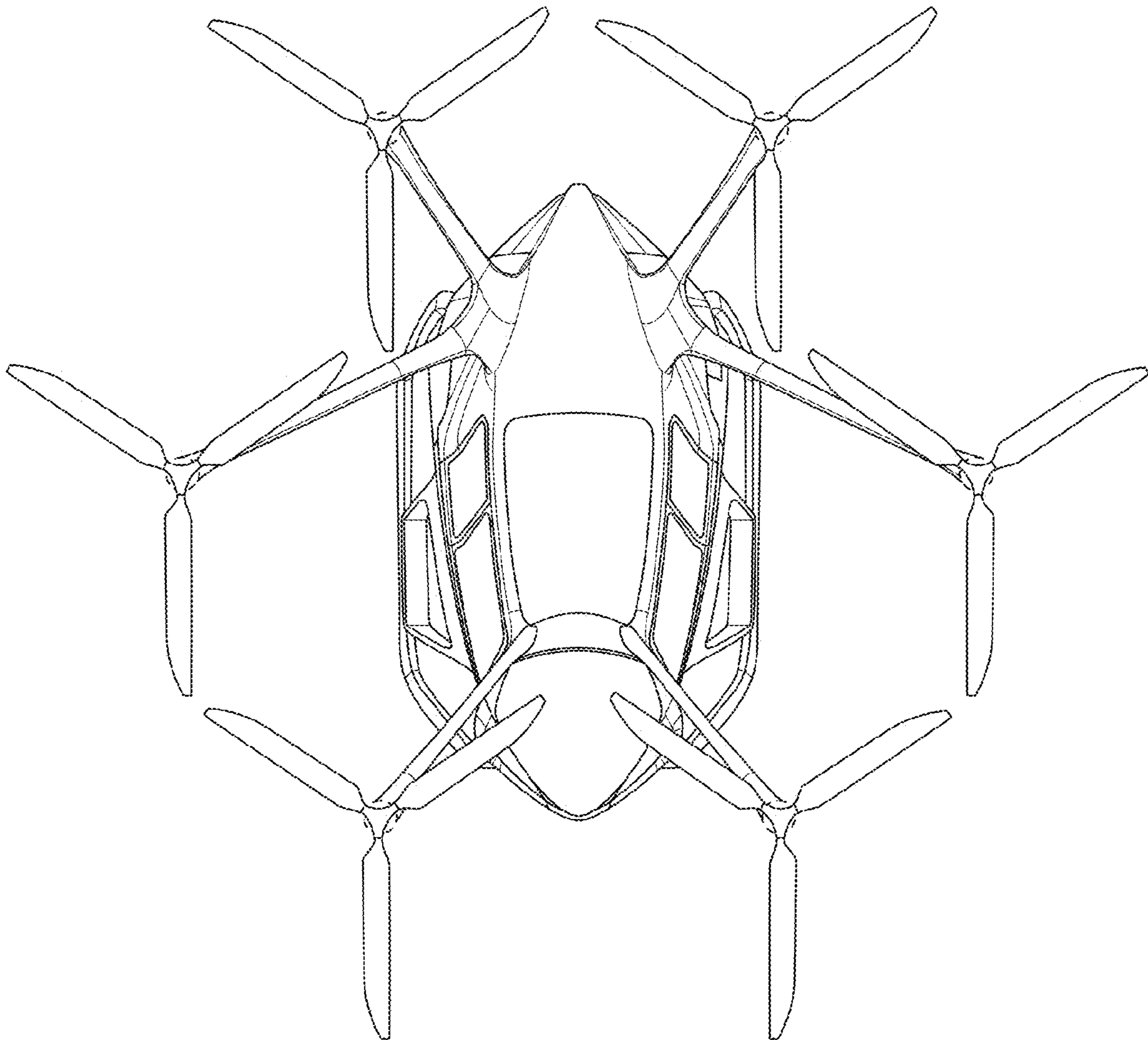


Fig. 5

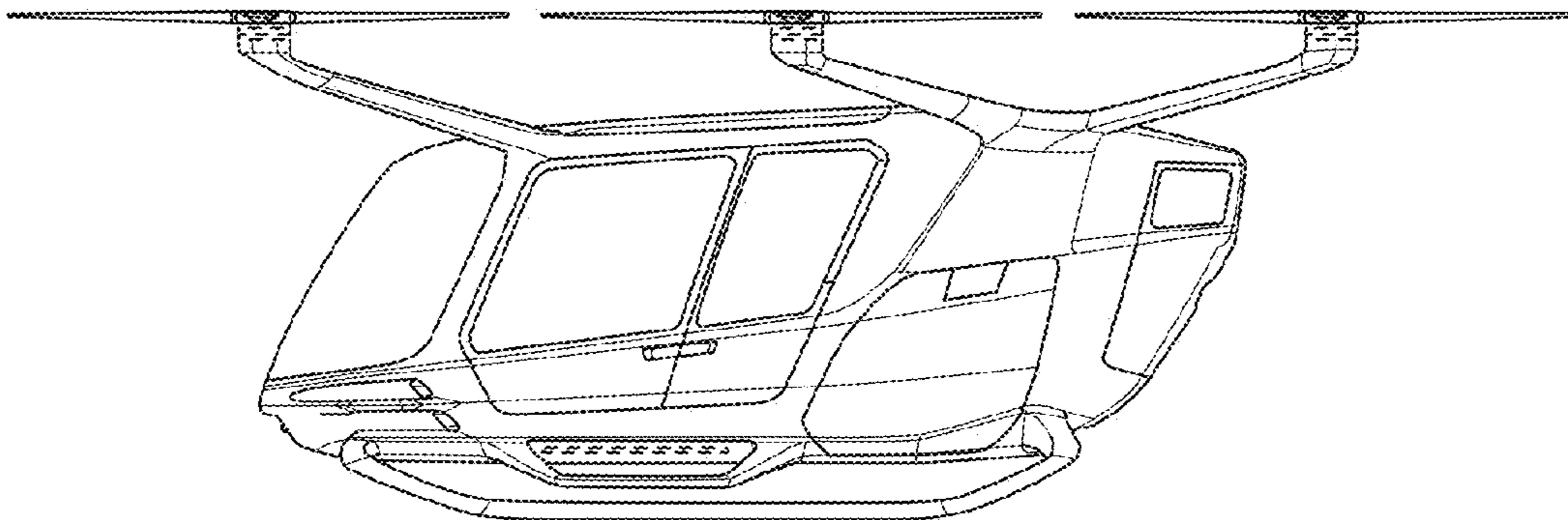


Fig. 6

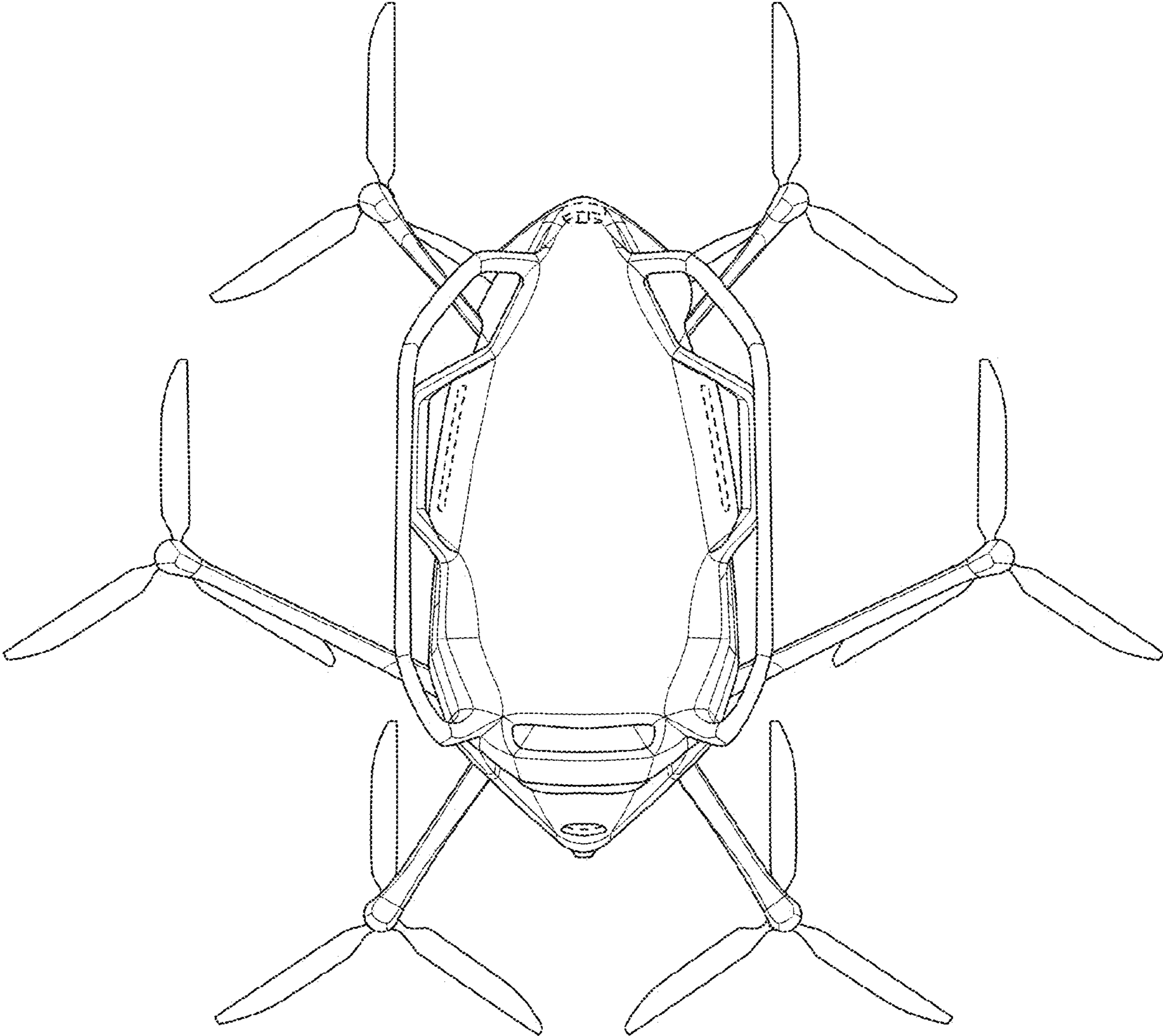


Fig. 7