



US00D978767S

(12) **United States Design Patent** (10) **Patent No.:** **US D978,767 S**
Baltes (45) **Date of Patent:** **** Feb. 21, 2023**

(54) **INTEGRATED VERTICAL CUP AND ROD HOLDER**

(71) Applicant: **MTB Designs, Inc.**, Palm City, FL (US)

(72) Inventor: **Michael Baltes**, Palm City, FL (US)

(**) Term: **15 Years**

(21) Appl. No.: **29/772,774**

(22) Filed: **Mar. 4, 2021**

(51) **LOC (14) Cl.** **22-05**

(52) **U.S. Cl.**
USPC **D12/317**

(58) **Field of Classification Search**
USPC D22/138-139, 147-148; D12/317;
D26/37-41; D23/261
CPC ... F01P 11/0276; F01P 2050/02; B63B 19/26;
B63B 13/02; B63B 13/00; A01K 97/10
See application file for complete search history.

(56) **References Cited**

U.S. PATENT DOCUMENTS

2,946,546	A *	7/1960	Pokorny	A01K 97/10 248/230.5
4,596,370	A *	6/1986	Adkins	B62J 11/04 224/454
4,749,162	A *	6/1988	Wanzor	A01K 97/10 114/364
4,778,141	A	10/1988	Bogar		
5,163,244	A *	11/1992	Rupp	A01K 97/11 248/514
D377,387	S *	1/1997	Mathewson	D22/147
D480,782	S *	10/2003	DeBerry	D22/147
D499,789	S *	12/2004	Bridgewater	D22/147
7,004,102	B2	2/2006	Sampson et al.		
D591,385	S *	4/2009	Baltes	B62J 11/04 D22/147
D591,386	S *	4/2009	Baltes	A01K 97/10 D22/148
D595,807	S *	7/2009	Baltes	A01K 97/10 D22/147

(Continued)

OTHER PUBLICATIONS

Amazon, Mate Series Plastic O Rod Cup Holder Drain Round Top Black, published Sep. 26, 2014 [retrieved Nov. 22, 2022]. Retrieved from the internet<<https://www.amazon.com/Mate-Plastic-Rod-Cup-Holder/dp/B077MRBWVD>> (Year: 2014).*

(Continued)

Primary Examiner — Joseph Kukella

Assistant Examiner — Lavon M. Amerson

(74) *Attorney, Agent, or Firm* — Larson & Larson; Justin P. Miller; Frank Liebenow

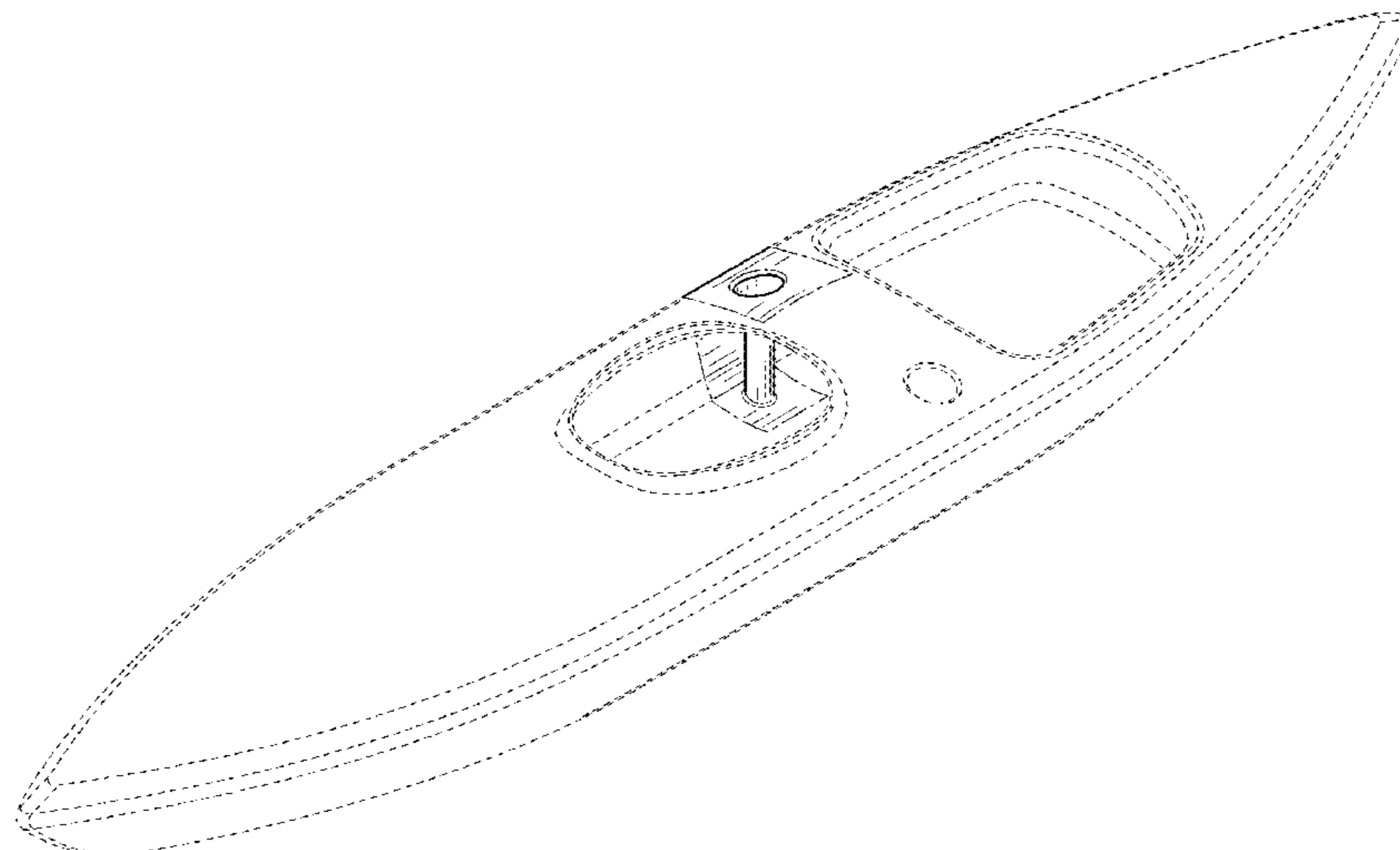
(57) **CLAIM**

I claim the ornamental design for an integrated vertical cup and rod holder, as shown and described.

DESCRIPTION

FIG. 1 is a perspective view of an integrated vertical cup and rod holder showing my new design; FIG. 2 is a front elevation view thereof; FIG. 3 is a back elevation thereof; FIG. 4 is a right-side elevation view thereof; FIG. 5 is a left-side elevation view thereof; FIG. 6 is a top plan view thereof; FIG. 7 is a bottom plan view thereof; FIG. 8 is a side cross-sectional view thereof; FIG. 9 is a perspective view with a fishing pole; and, FIG. 10 is a perspective view with an insulated can showing the integrated vertical cup and rod holder. The broken lines showing the kayak, fishing pole, and insulated can are included for the purpose of illustrating environmental structure and form no part of the claimed design.

1 Claim, 6 Drawing Sheets



(56)

References Cited

U.S. PATENT DOCUMENTS

D595,808 S * 7/2009 Baltes D22/147
D607,962 S * 1/2010 Baltes D22/147
D607,963 S * 1/2010 Baltes D22/147
D660,779 S * 5/2012 Czipri D12/317
8,640,377 B2 * 2/2014 Baltes A01K 97/10
224/406
D784,901 S * 4/2017 Tung D23/261
D857,155 S 8/2019 Baltes
D861,125 S * 9/2019 Baltes A01K 97/10
D22/147
11,259,514 B1 * 3/2022 Larsson A01K 97/10
2006/0064920 A1 * 3/2006 Wilcox A01K 91/08
43/21.2
2009/0050043 A1 * 2/2009 Alvarez B63B 13/00
251/216

OTHER PUBLICATIONS

WayBack Machine, Bass Pro Shop Mate Series O Combination Rod
And Cup Holder, published Oct. 31, 2020, [retrieved Nov. 22,
2022]. Retrieved from the internet<[https://www.basspro.com/shop/
en/Mate-Series-0-Combination-Rod-and-Cup-Holder](https://www.basspro.com/shop/en/Mate-Series-0-Combination-Rod-and-Cup-Holder)> (Year: 2020).*

* cited by examiner

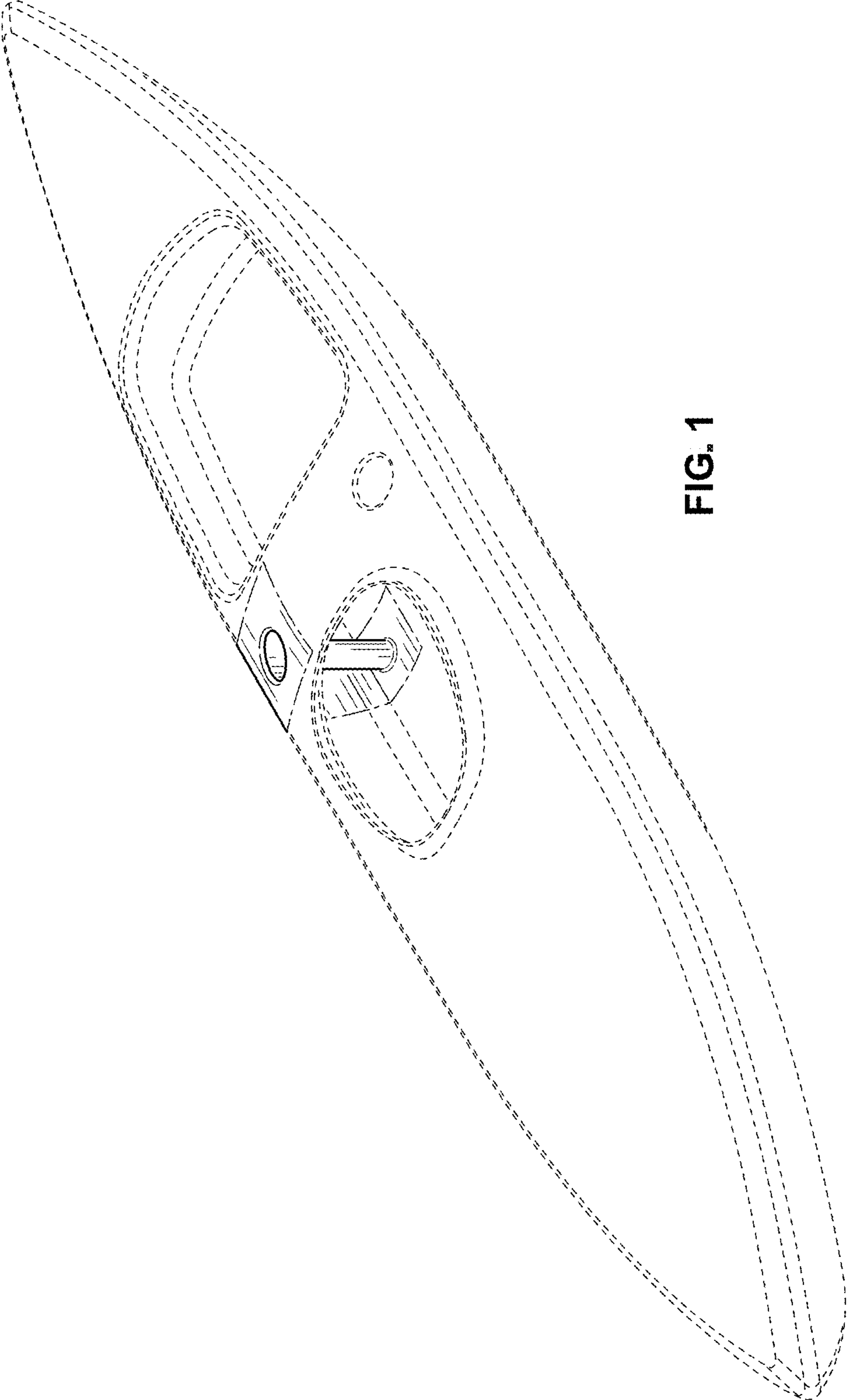


FIG. 1

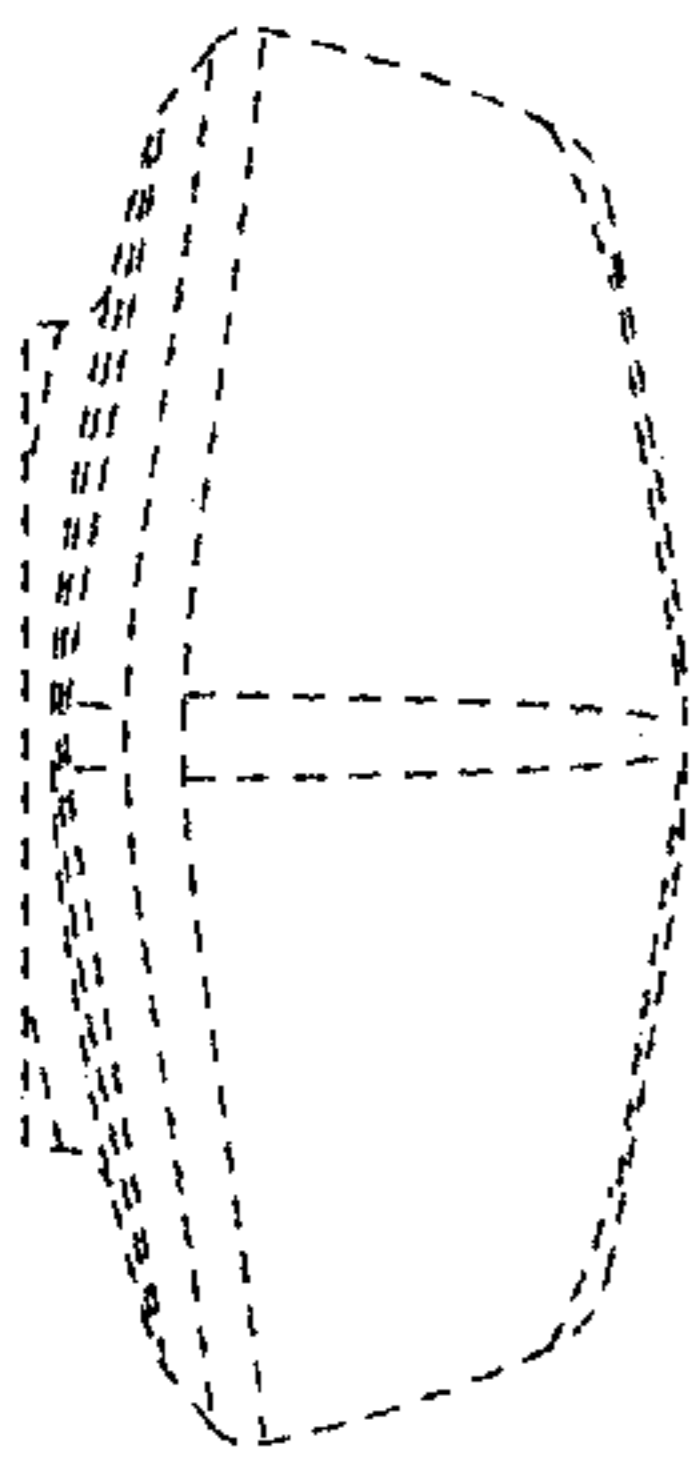


FIG. 2

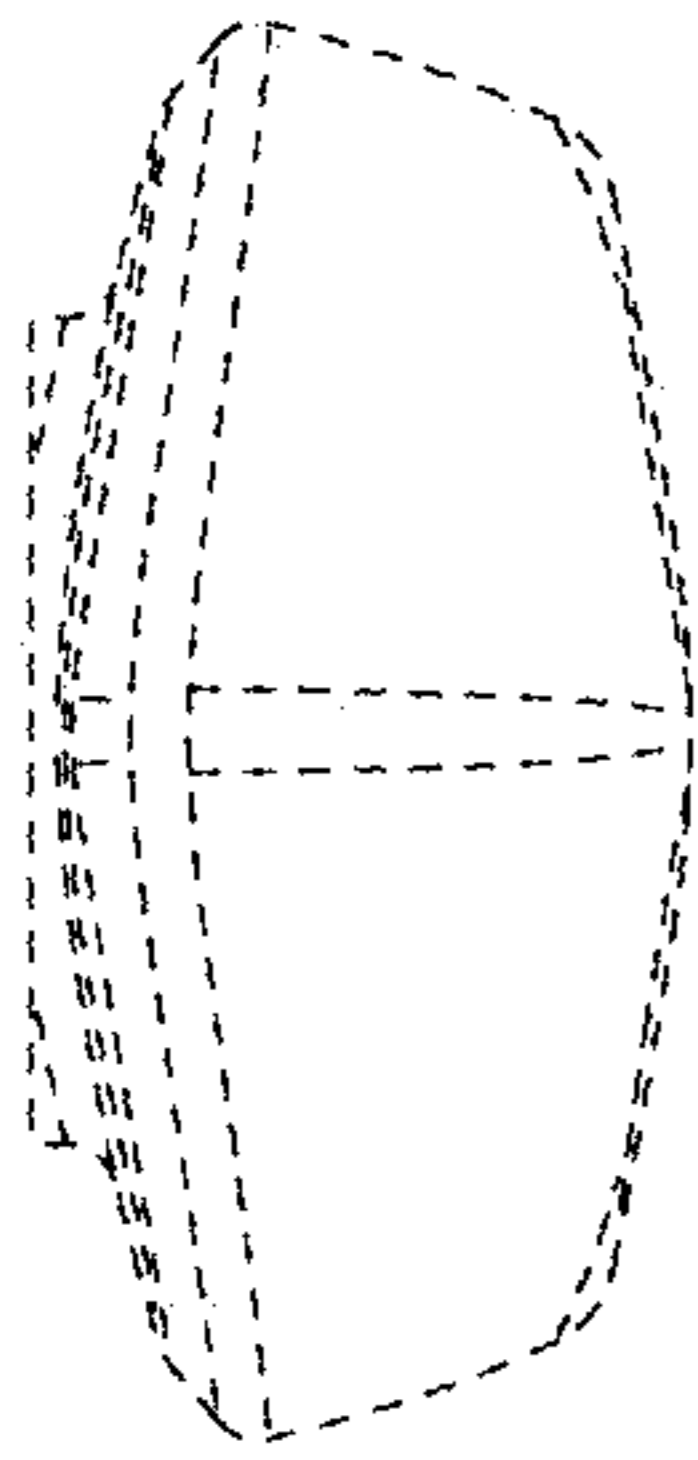


FIG. 3

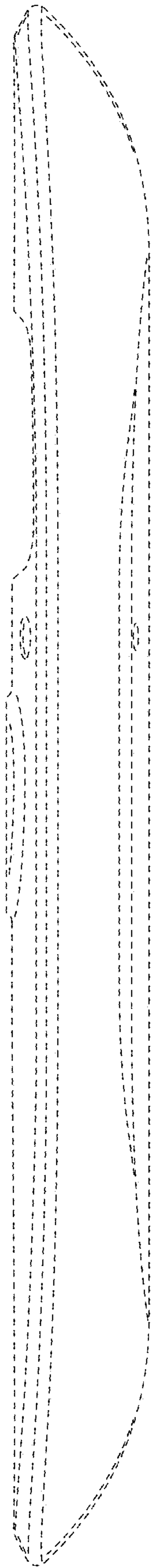


FIG. 4

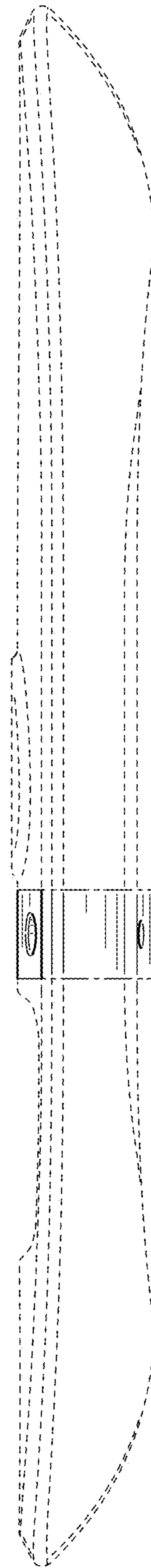


FIG. 5

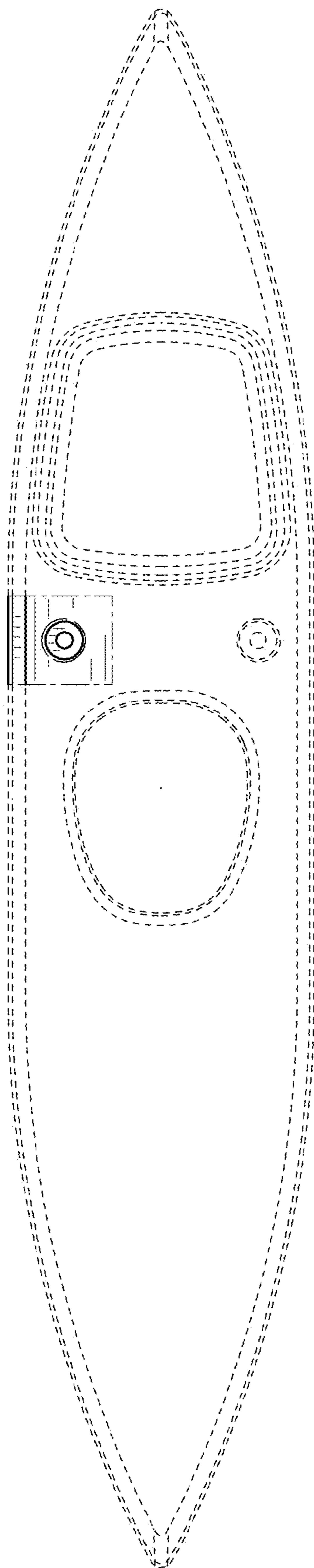


FIG. 6

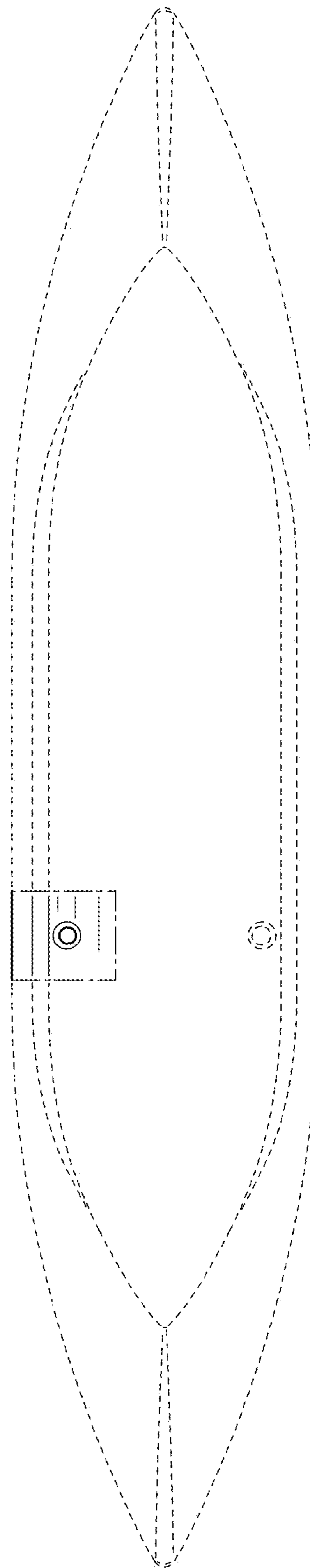


FIG. 7

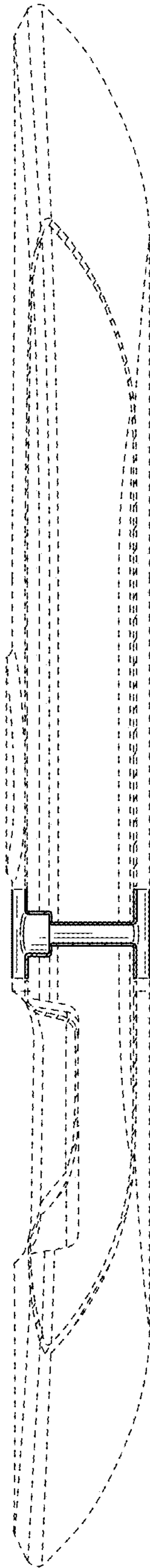


FIG. 8

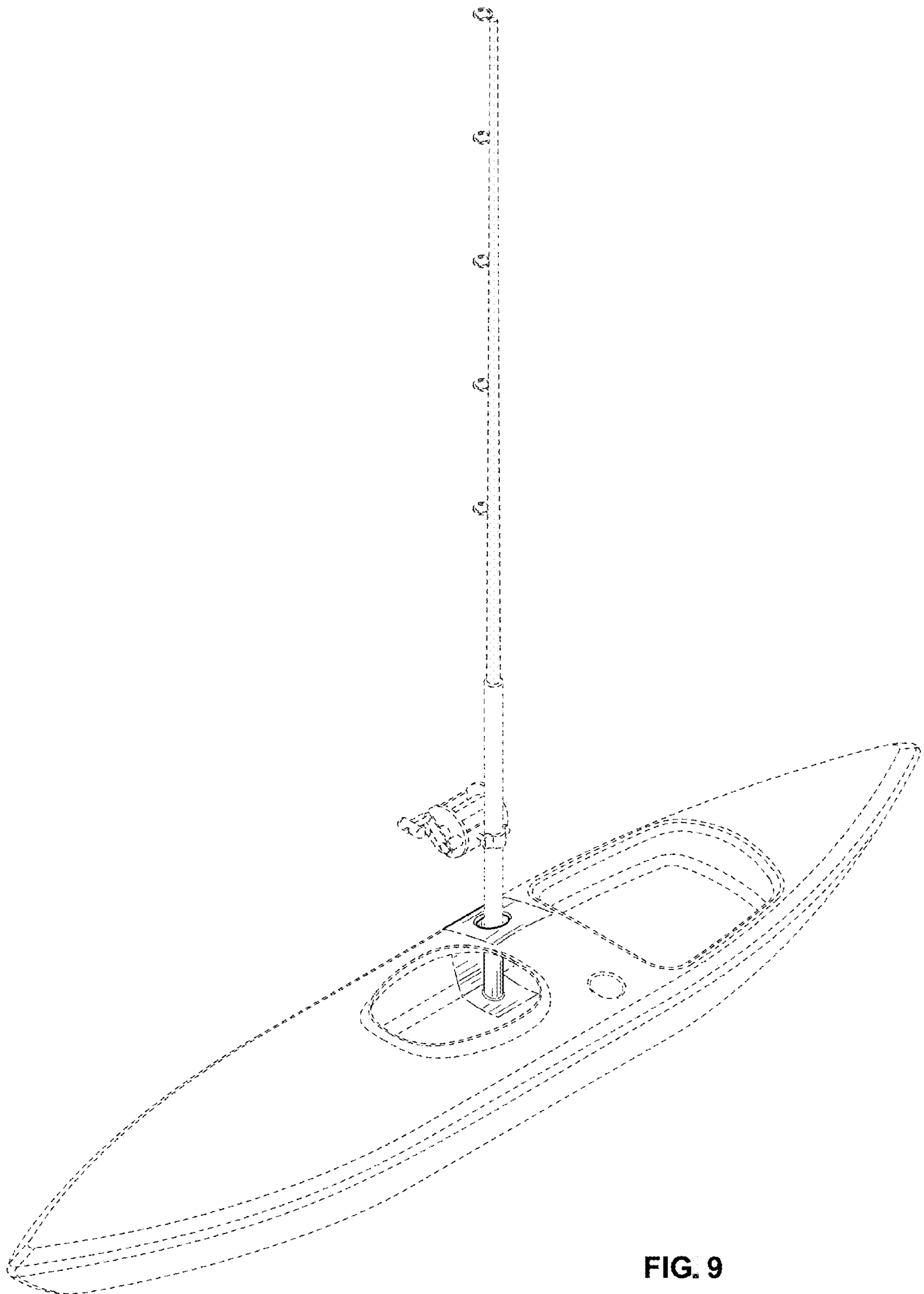


FIG. 9

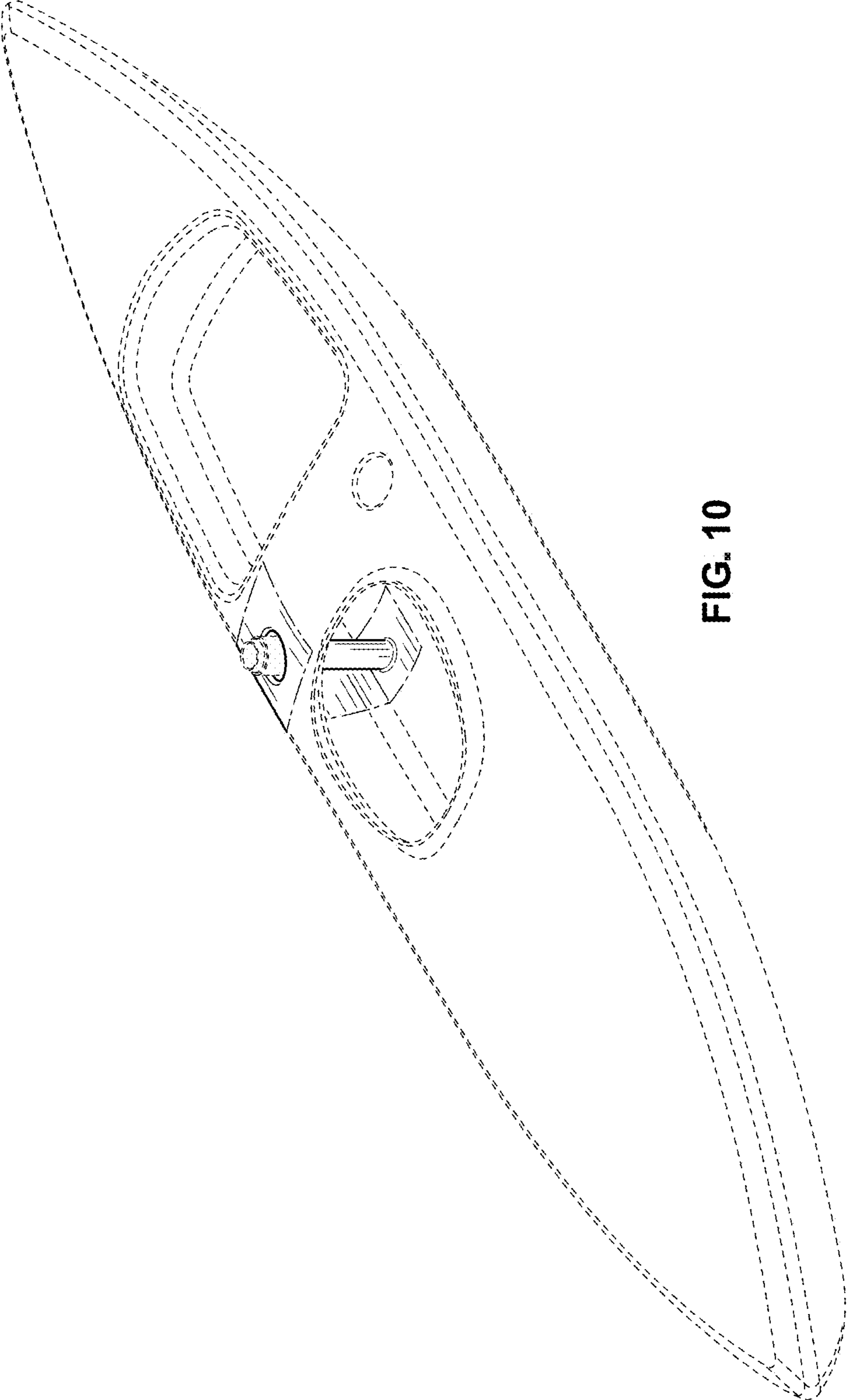


FIG. 10