

US00D978765S

(12) **United States Design Patent** (10) **Patent No.:** **US D978,765 S**  
**Wei et al.** (45) **Date of Patent:** **\*\* Feb. 21, 2023**

(54) **UNDERWATER SCOOTER**  
(71) Applicant: **Deepinfar Ocean Technology Inc.,**  
Tianjin (CN)  
(72) Inventors: **Jianchang Wei,** Tianjin (CN);  
**Chunjiang Tian,** Tianjin (CN)  
(73) Assignee: **Deepinfar Ocean Technology Inc.,**  
Tianjin (CN)  
(\*\*) Term: **15 Years**  
(21) Appl. No.: **29/733,490**  
(22) Filed: **May 4, 2020**  
(30) **Foreign Application Priority Data**  
Nov. 4, 2019 (CN) ..... 201930603996.9  
(51) **LOC (14) Cl.** ..... **12-06**  
(52) **U.S. Cl.**  
USPC ..... **D12/308**  
(58) **Field of Classification Search**  
USPC ..... D12/308, 317; D21/545, 801  
CPC ..... B63C 11/00; B63C 11/02; B63C 11/36;  
B63C 11/46; B63C 11/48; B63C 11/49;  
B63C 2011/028; B63G 8/00; B63G  
8/001; B63G 8/002; B63G 8/08; B63G  
8/41; B63G 8/42; B63B 2008/002; B63B  
2008/004; B63B 3/13; B63B 1/107  
See application file for complete search history.

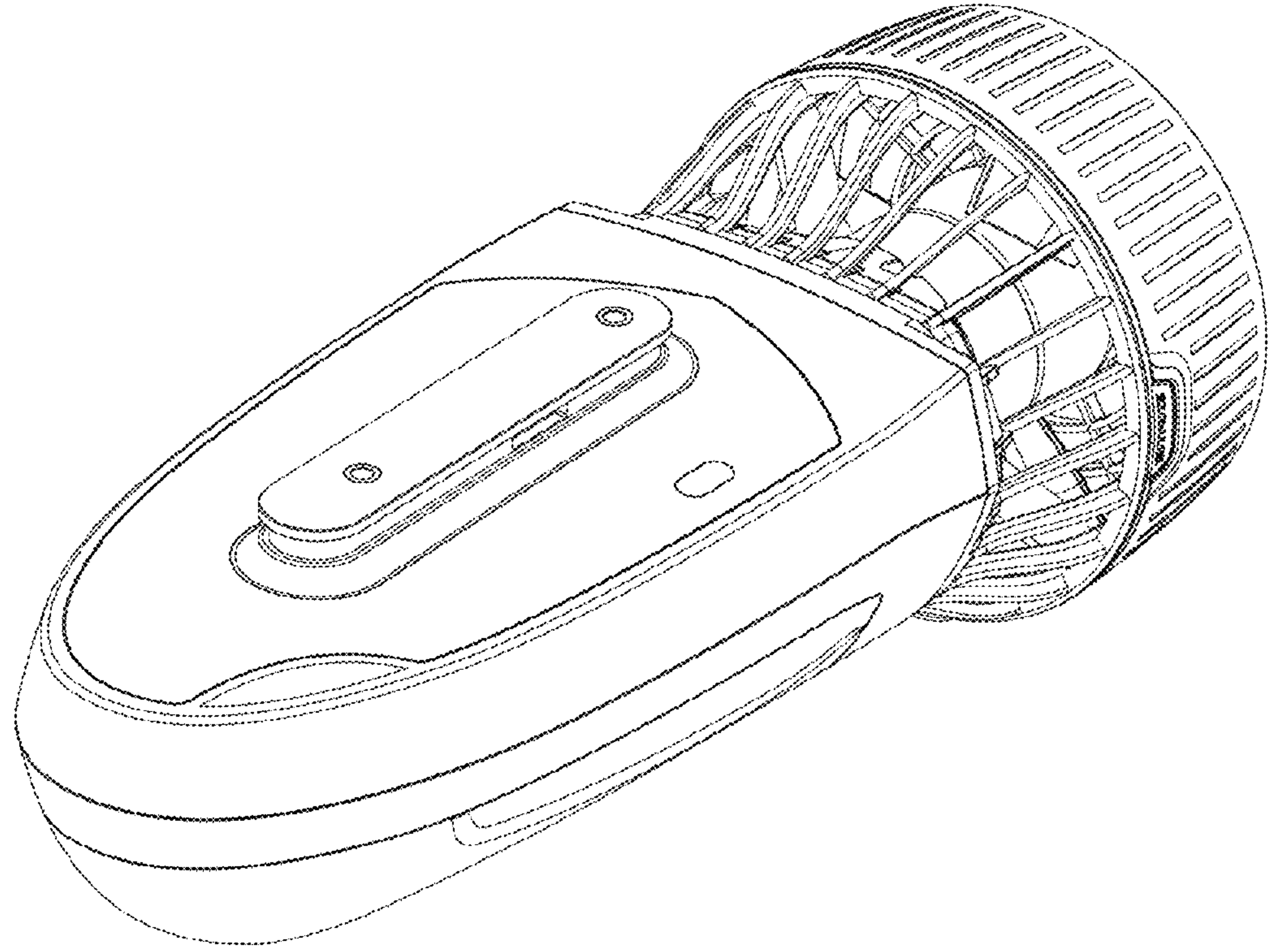
(56) **References Cited**  
U.S. PATENT DOCUMENTS  
D643,084 S \* 8/2011 White ..... D12/308  
D789,867 S \* 6/2017 Walpurgis ..... B63C 11/46  
D12/308  
D872,811 S \* 1/2020 Lin ..... D12/308  
RE48,329 E \* 12/2020 Walpurgis ..... B63C 11/46  
D12/308  
D937,179 S \* 11/2021 Guild ..... D12/308  
2015/0353175 A1 \* 12/2015 Walpurgis ..... B60L 50/64  
114/315  
\* cited by examiner

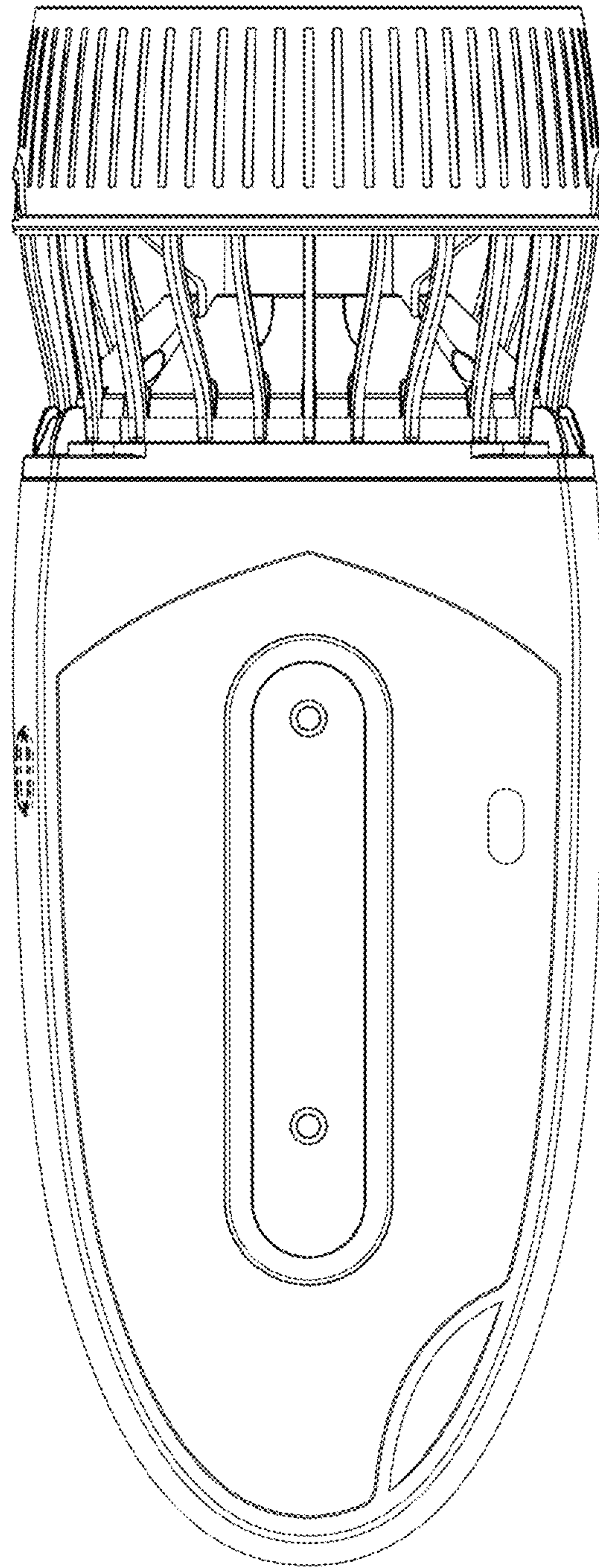
*Primary Examiner* — Cynthia M. Chin  
(74) *Attorney, Agent, or Firm* — Young Basile Hanlon & MacFarlane, P.C.

(57) **CLAIM**  
The ornamental design for an underwater scooter, as shown and described.

**DESCRIPTION**  
FIG. 1 is a front elevational view of an underwater scooter in accordance with our new design;  
FIG. 2 is a rear elevational view thereof;  
FIG. 3 is a left side elevational view thereof;  
FIG. 4 is a right side elevational view thereof;  
FIG. 5 is a top plan view thereof;  
FIG. 6 is a bottom plan view thereof; and,  
FIG. 7 is a front and bottom perspective view thereof.  
The broken lines are for the purpose of illustrating portions of the article that form no part of the claimed design.

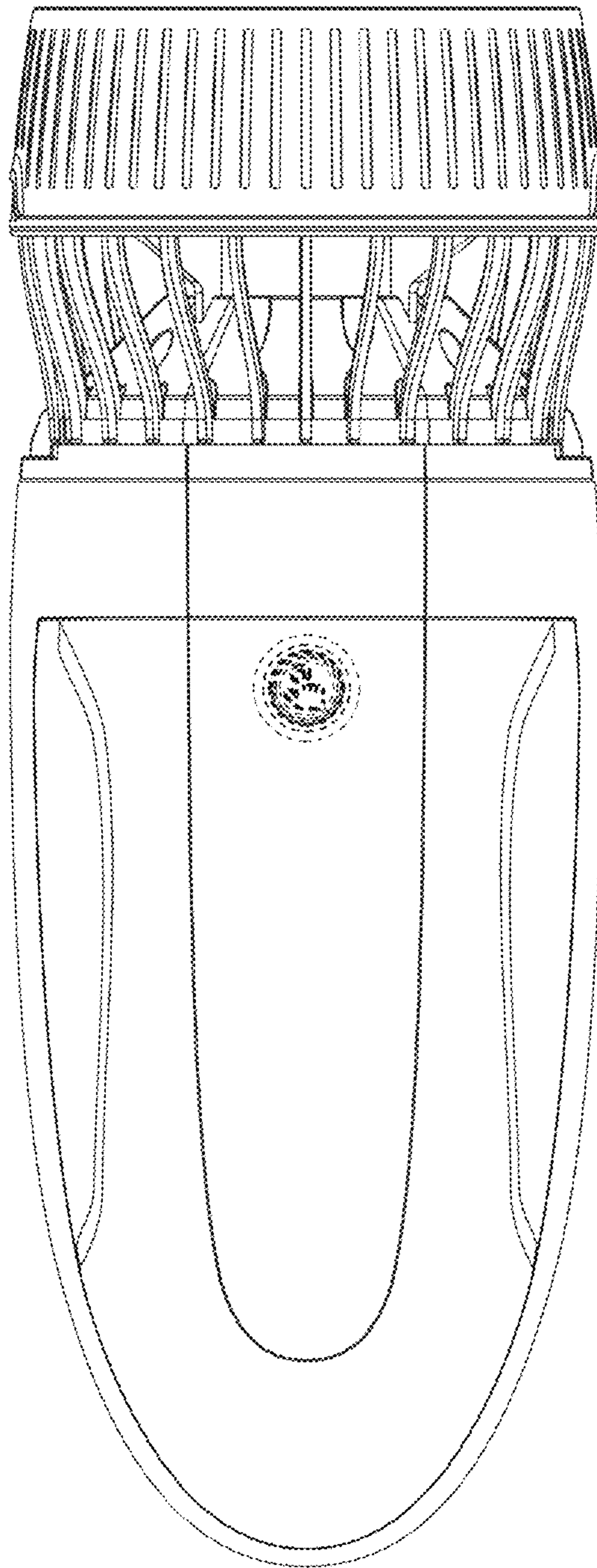
**1 Claim, 7 Drawing Sheets**



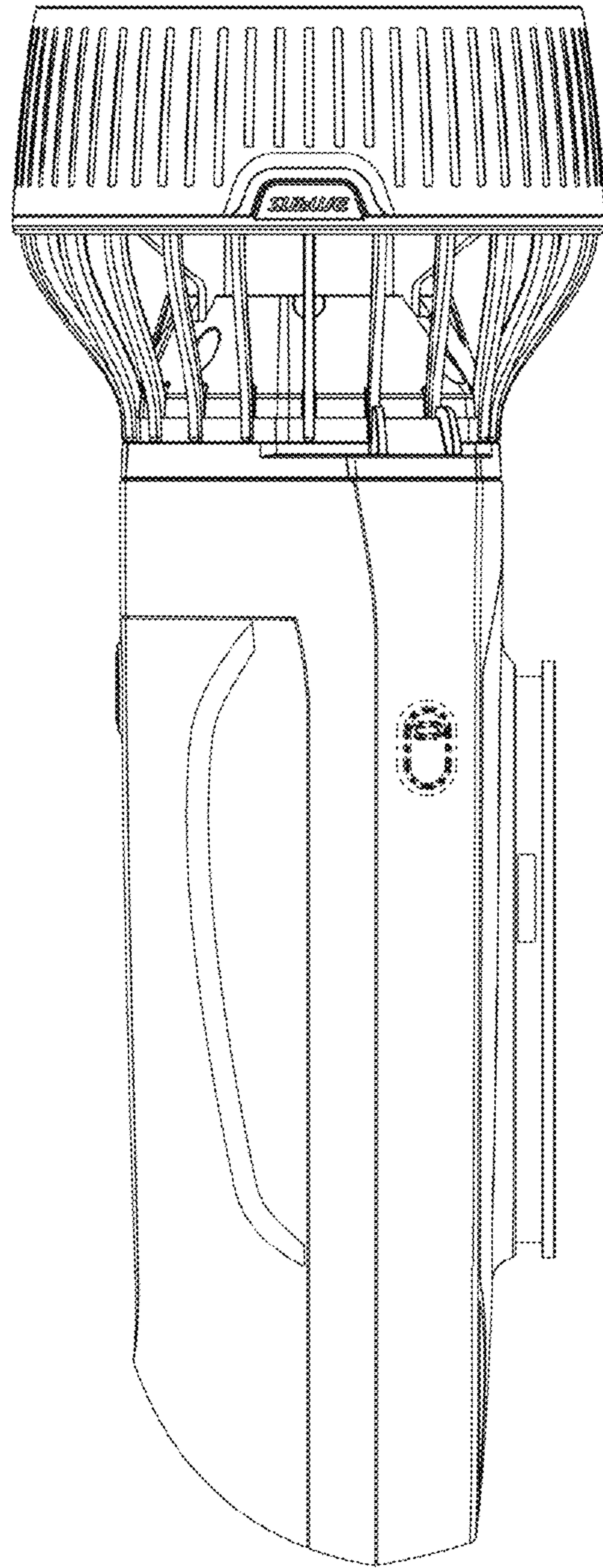


**FIG. 1**

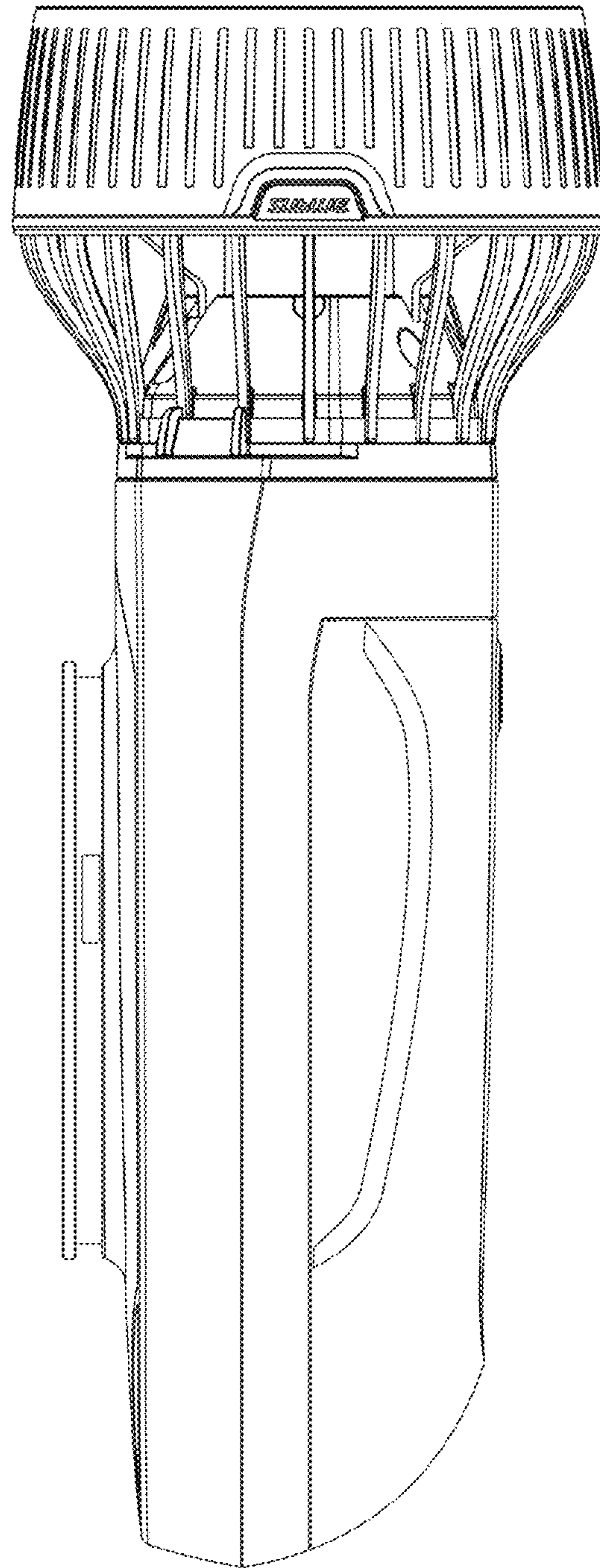




**FIG. 2**

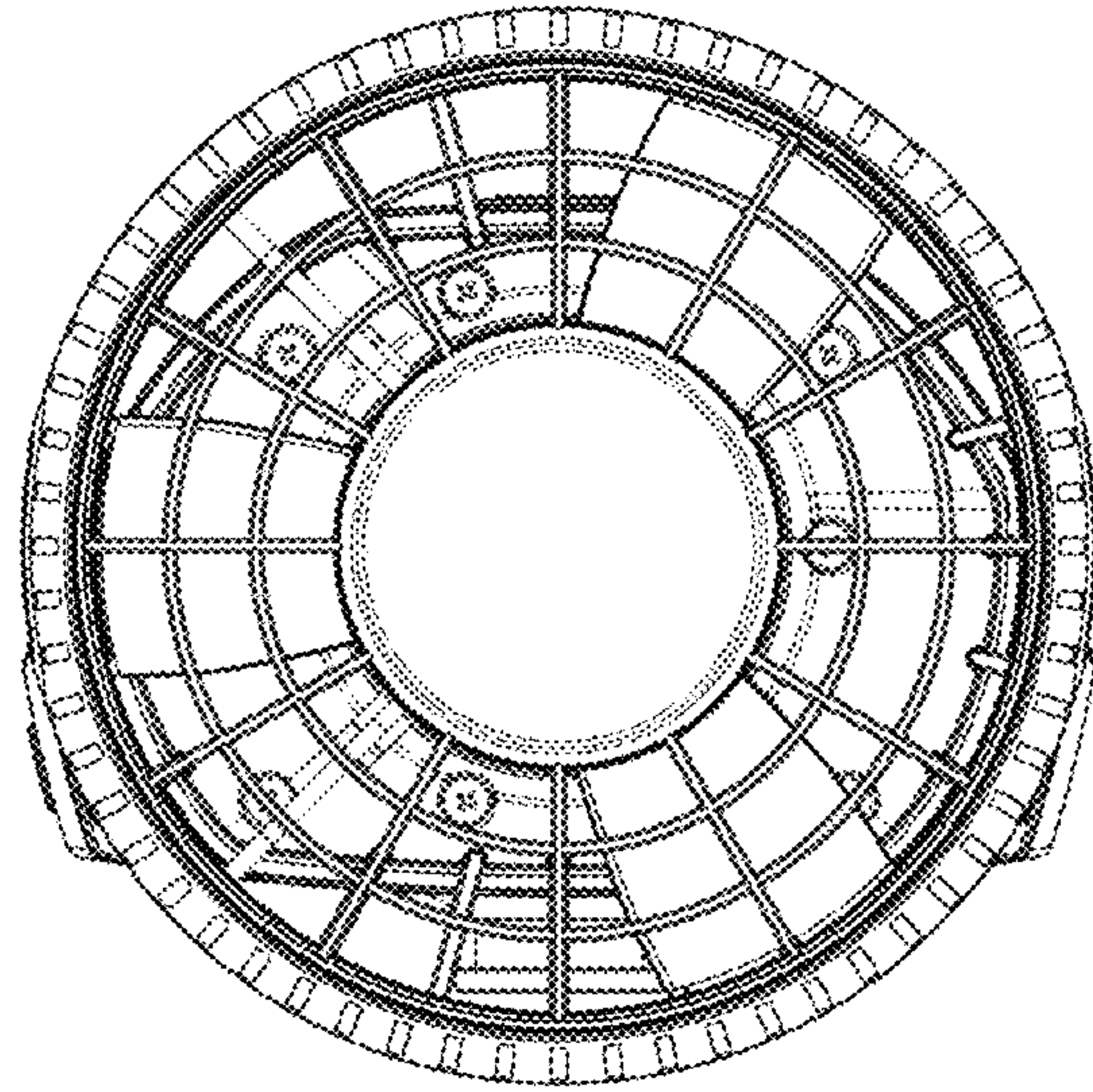


**FIG. 3**

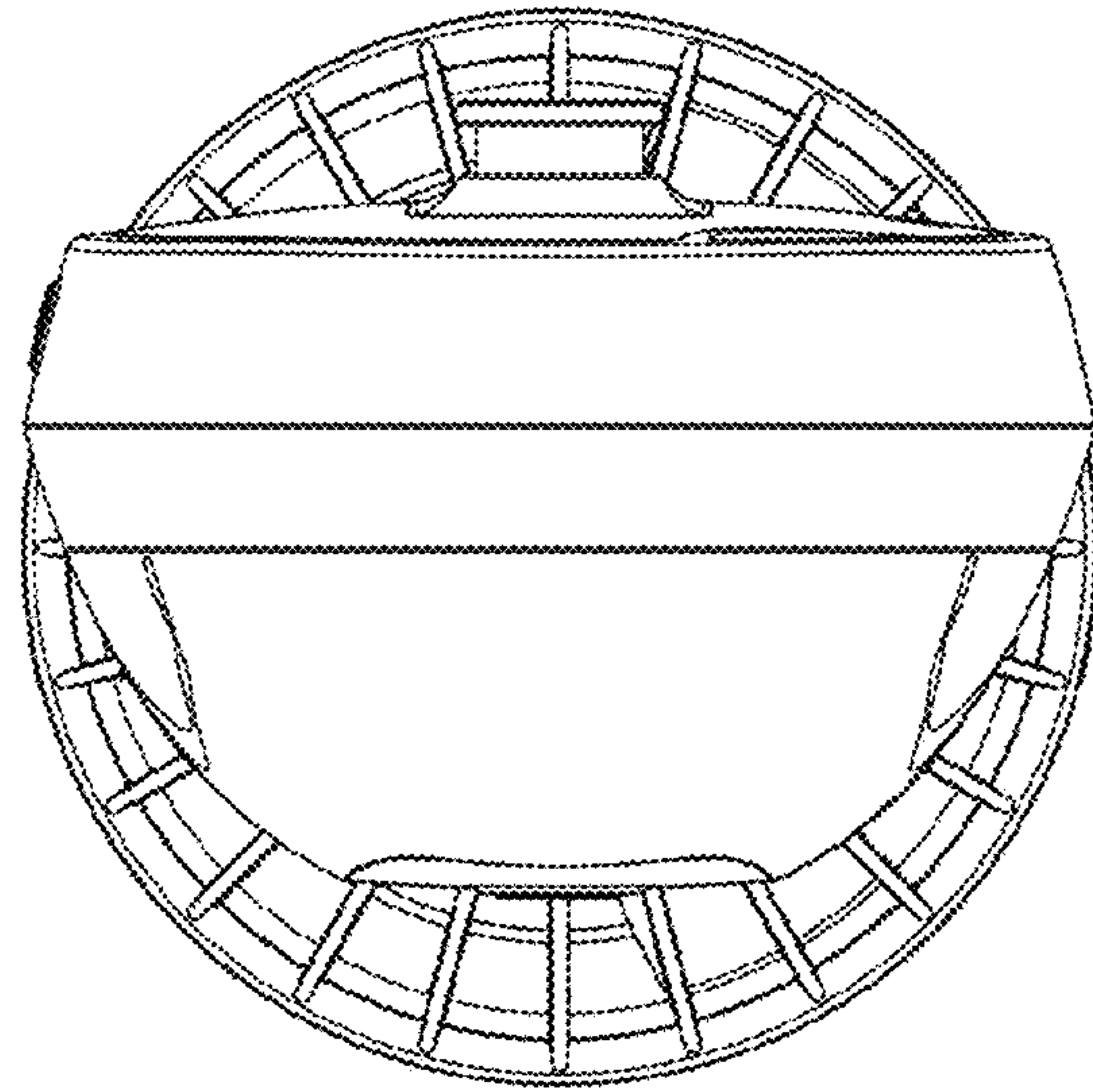


**FIG. 4**

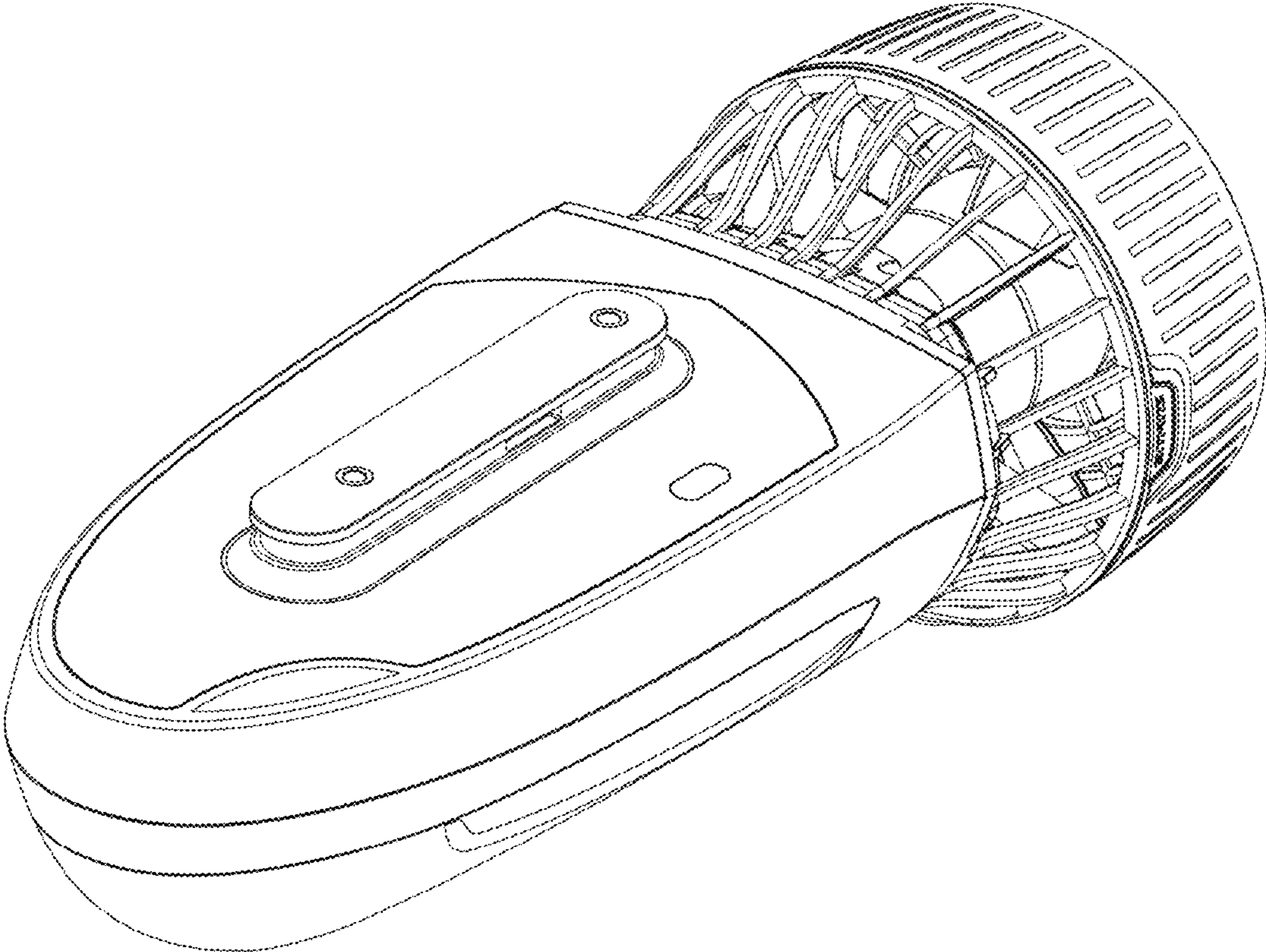




**FIG. 5**



**FIG. 6**



**FIG. 7**