



US00D978764S

(12) **United States Design Patent**
Han

(10) **Patent No.:** **US D978,764 S**

(45) **Date of Patent:** **** Feb. 21, 2023**

(54) **AUTOMOTIVE WHEEL**

(71) Applicant: **Donnie Han**, Irvine, CA (US)

(72) Inventor: **Donnie Han**, Irvine, CA (US)

(**) Term: **15 Years**

(21) Appl. No.: **29/780,158**

(22) Filed: **Apr. 22, 2021**

(51) **LOC (14) Cl.** **12-16**

(52) **U.S. Cl.**
USPC **D12/211**

(58) **Field of Classification Search**
USPC D12/204-213, 501; D21/423, 533, 563,
D21/779

CPC B60B 7/00; B60B 7/01; B60B 7/02; B60B
7/04; B60B 7/06; B60B 3/02; B60B 3/04;
B60B 3/06; B60B 3/10; B60B 1/00;
B60B 1/08; B60B 1/10; B60B 1/12

See application file for complete search history.

(56) **References Cited**

U.S. PATENT DOCUMENTS

D256,687 S * 9/1980 Zielinski D12/205
D527,327 S * 8/2006 Laengerer D12/211

D622,196 S * 8/2010 Gallert D12/209
D760,142 S * 6/2016 Chu D12/211
D870,627 S * 12/2019 Lu D12/209
D889,357 S * 7/2020 Lee D12/209
D899,999 S * 10/2020 Kong D12/209
D938,882 S * 12/2021 Podlovits D12/209
D940,040 S * 1/2022 Han D12/209
D942,913 S * 2/2022 Williams D12/209
D943,487 S * 2/2022 Lee D12/209
D960,065 S * 8/2022 Sempek D12/209
D962,840 S * 9/2022 Moshel D12/209

* cited by examiner

Primary Examiner — Cary M Robinson

Assistant Examiner — Adam C Mager

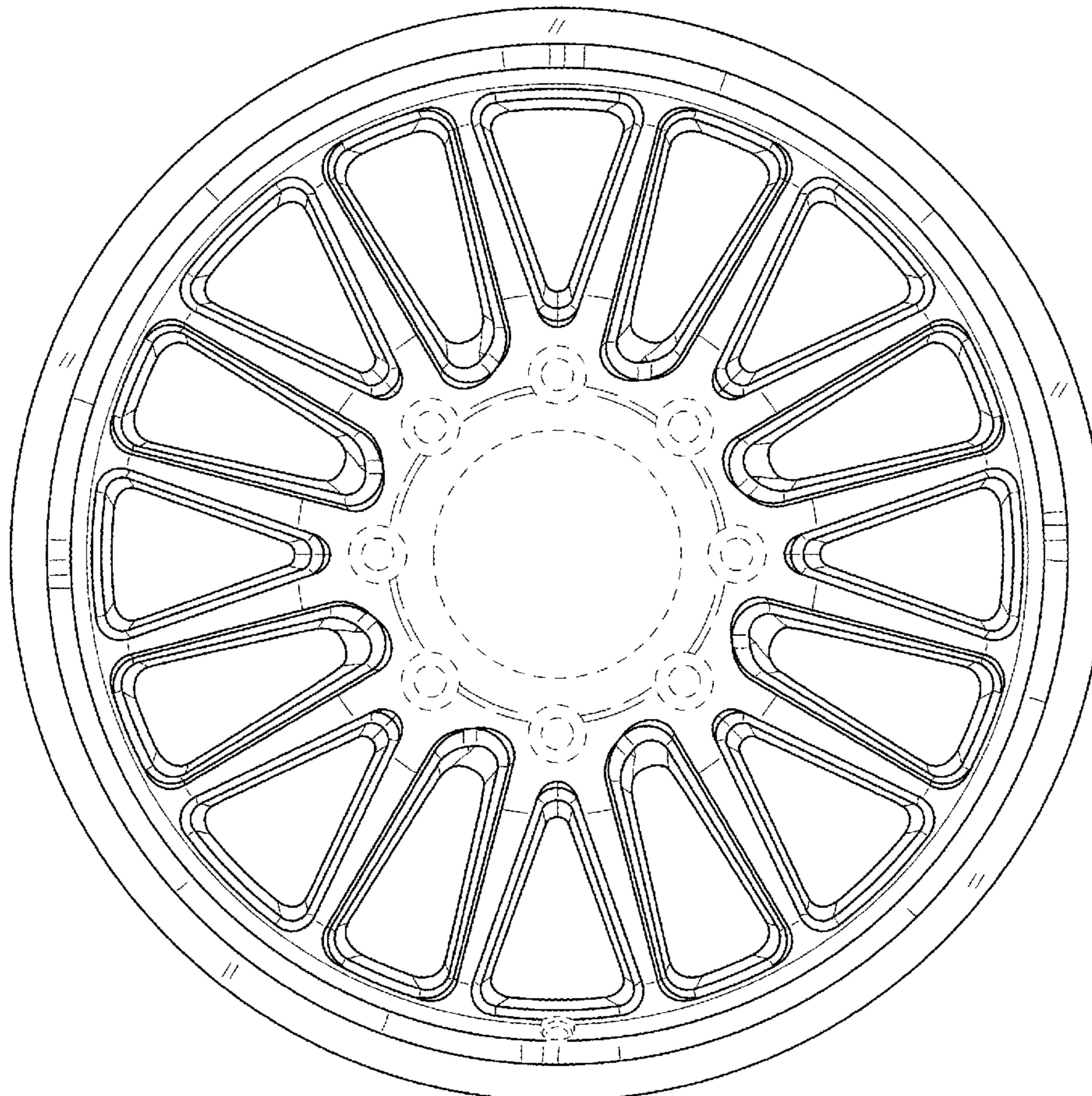
(57) **CLAIM**

The ornamental design for an automotive wheel, as shown and described.

DESCRIPTION

FIG. 1 is a perspective view of an automotive wheel, showing my new design; and, FIG. 2 is a front view thereof. The broken lines in the drawings illustrate portions of the automotive wheel in which the design is embodied that form no part of the claimed design.

1 Claim, 2 Drawing Sheets



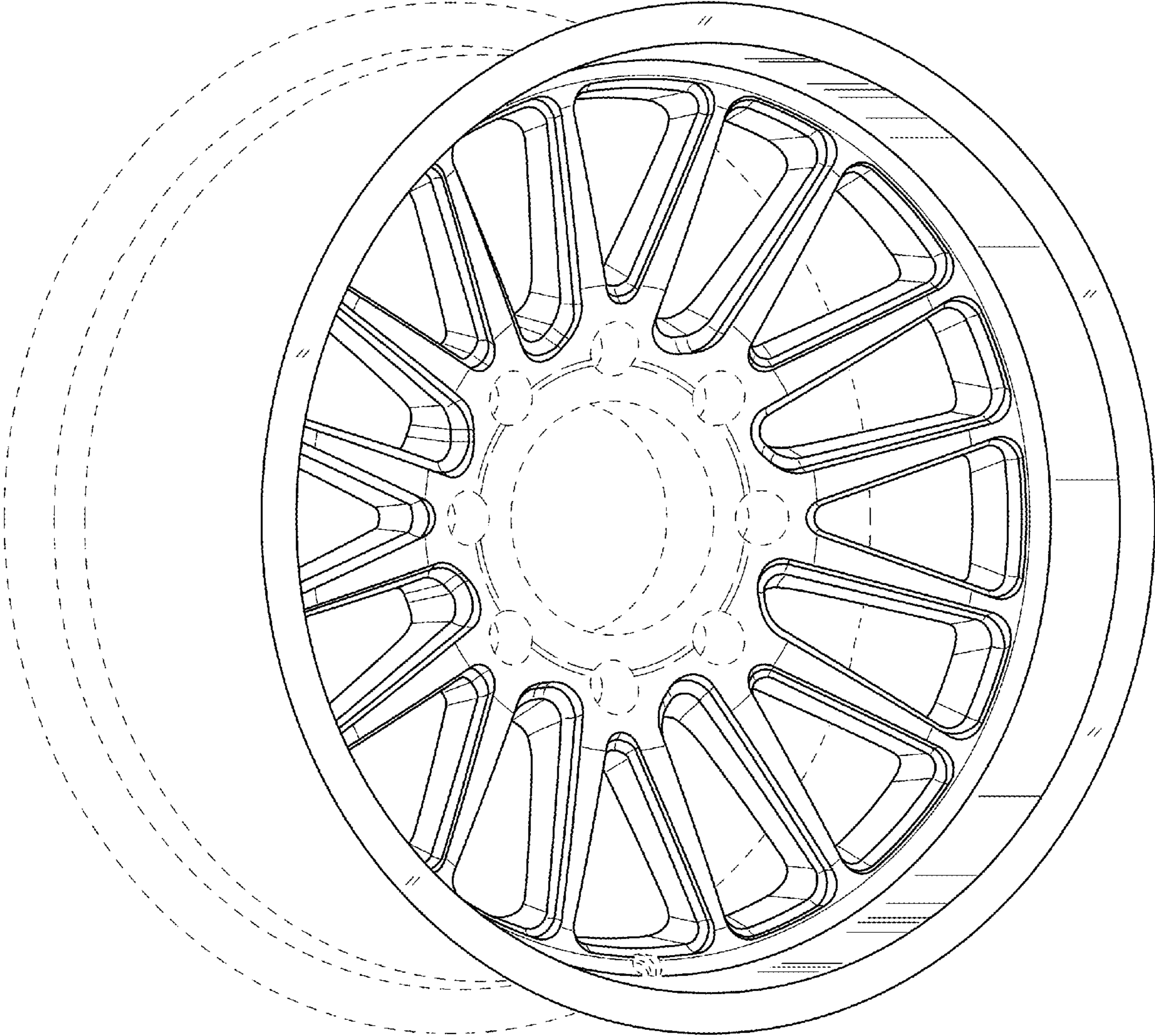


FIGURE 1

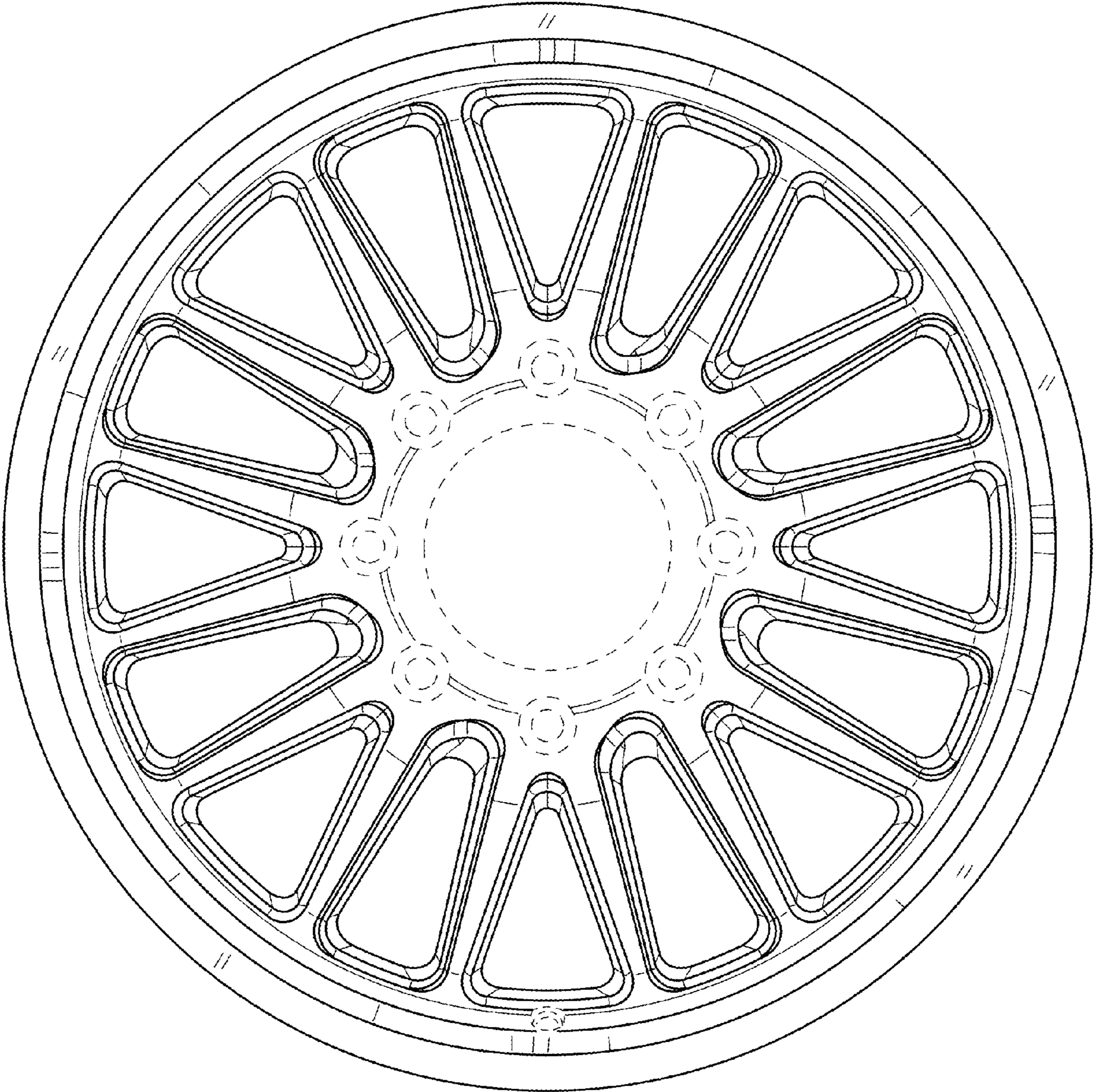


FIGURE 2