



US00D978756S

(12) **United States Design Patent**  
**Lopes et al.**

(10) **Patent No.:** **US D978,756 S**  
(45) **Date of Patent:** **\*\* Feb. 21, 2023**

(54) **VEHICLE WHEEL**  
(71) Applicant: **Maxion Wheels Holding GmbH,**  
Königswinter (DE)  
(72) Inventors: **Carlos Eduardo Lopes, Cruzeiro (BR);**  
**Alexandre Andre Costa Motta,**  
Limeira (BR)  
(73) Assignee: **Maxion Wheels Holding GmbH,**  
Königswinter (DE)  
(\*\*) Term: **15 Years**  
(21) Appl. No.: **29/755,753**  
(22) Filed: **Oct. 22, 2020**  
(51) **LOC (14) Cl.** ..... **12-16**  
(52) **U.S. Cl.**  
USPC ..... **D12/211**  
(58) **Field of Classification Search**  
USPC ..... D12/204–213; D21/563  
CPC .... B60B 7/00; B60B 7/01; B60B 7/04; B60B  
7/06; B60B 3/02; B60B 3/04; B60B 3/06;  
B60B 3/10; B60B 1/00; B60B 1/08;  
B60B 1/10; B60B 1/12; B60B 21/10  
See application file for complete search history.

2011/0148181 A1\* 6/2011 Silva de Carvalho .....  
B60B 7/0046  
301/37.42

\* cited by examiner

*Primary Examiner* — Darlington Ly  
*Assistant Examiner* — D. Ryan Tisdale  
(74) *Attorney, Agent, or Firm* — MacMillan, Sobanski &  
Todd, LLC

(57) **CLAIM**

The ornamental design for a vehicle wheel, as shown and described.

**DESCRIPTION**

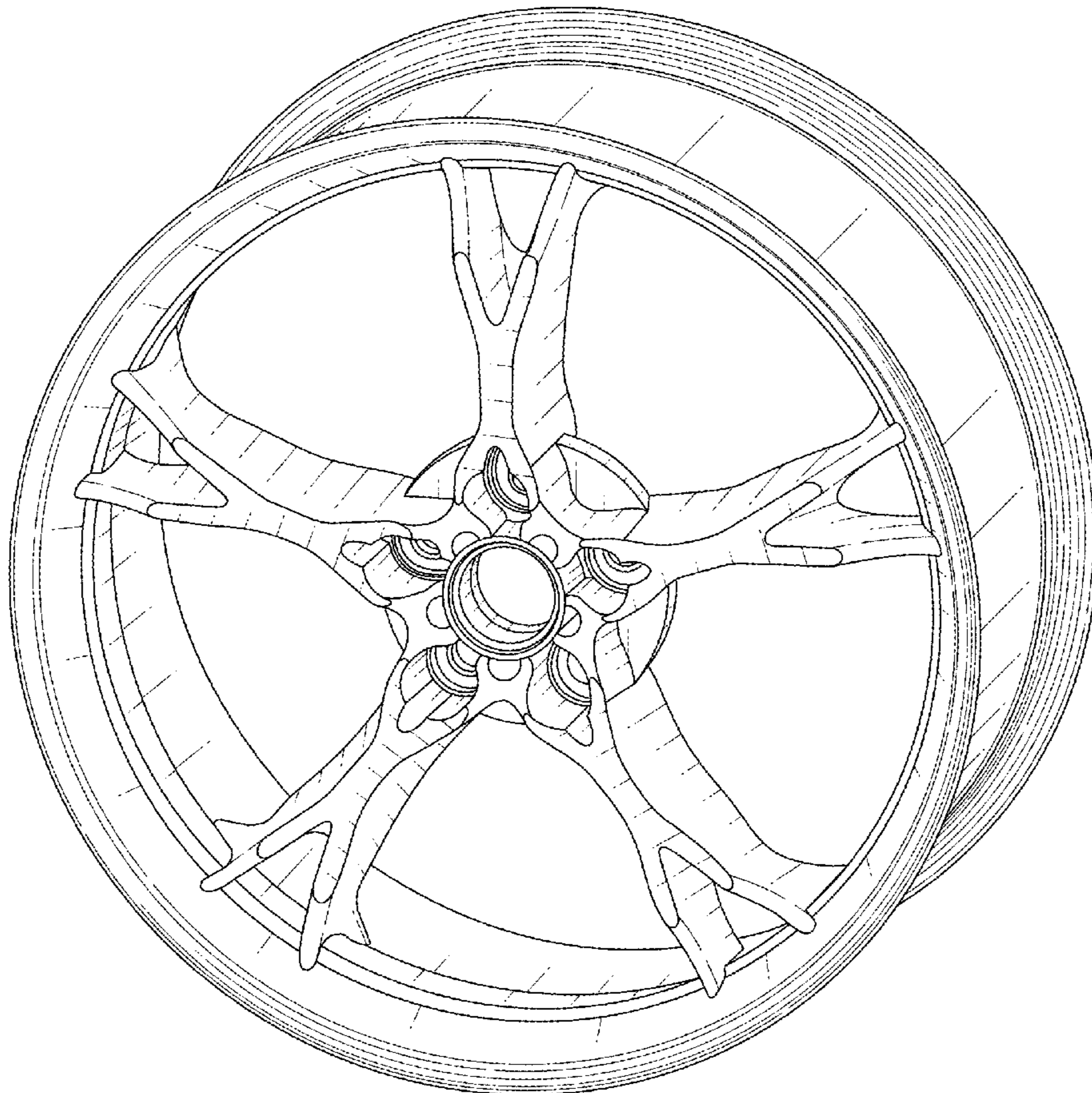
FIG. 1 is a front perspective view of a vehicle wheel embodying our new design;  
FIG. 2 is a front elevation view thereof;  
FIG. 3 is a rear perspective view thereof;  
FIG. 4 is a rear elevation view thereof; and,  
FIG. 5 is a side elevation view thereof, of which the opposing side elevation view, top plan view and bottom plan view are identical.

(56) **References Cited**

**U.S. PATENT DOCUMENTS**

D572,651 S \* 7/2008 Schweizer ..... D12/211  
D916,642 S \* 4/2021 Lopes ..... D12/209

**1 Claim, 5 Drawing Sheets**



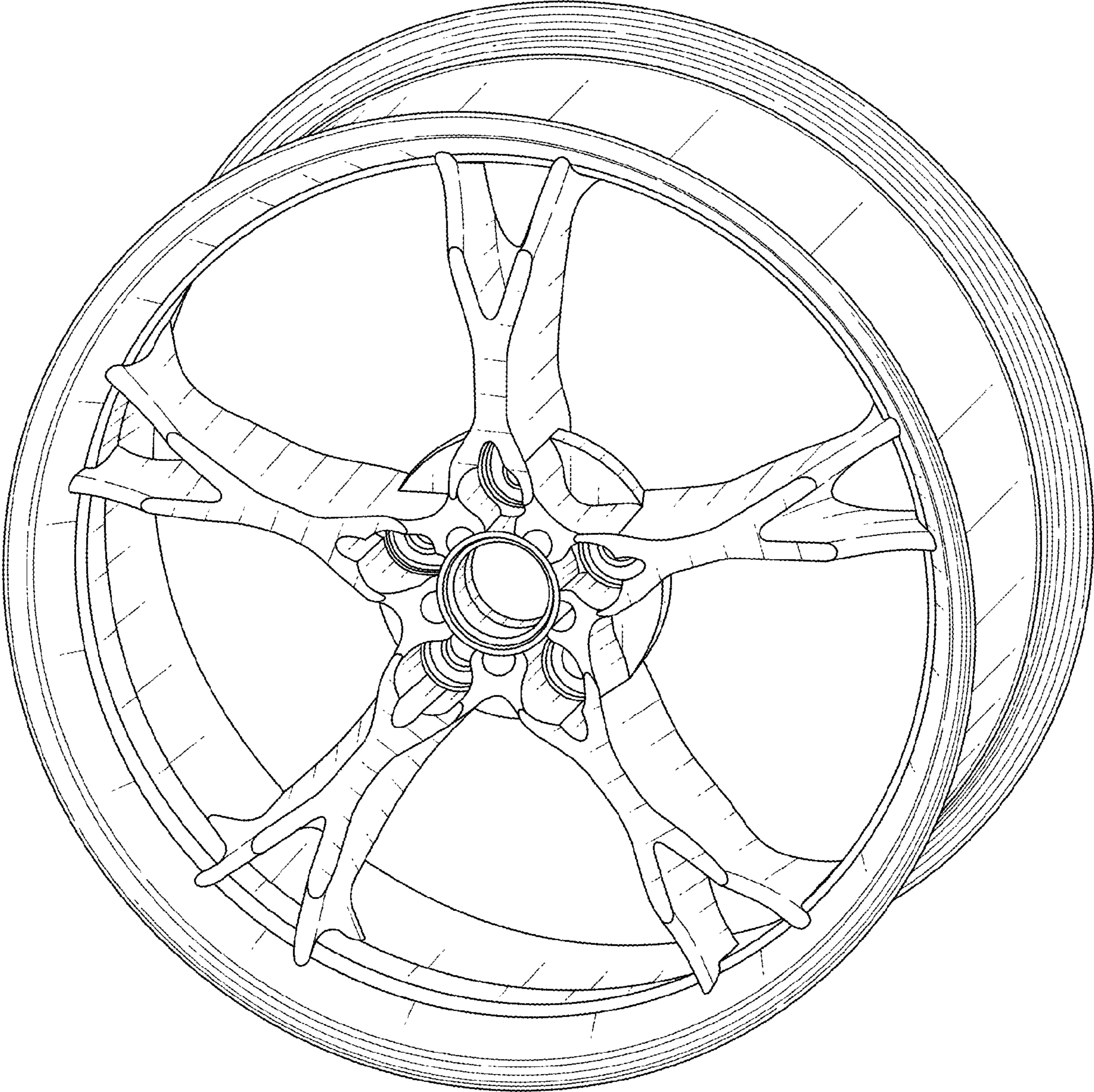


FIG. 1

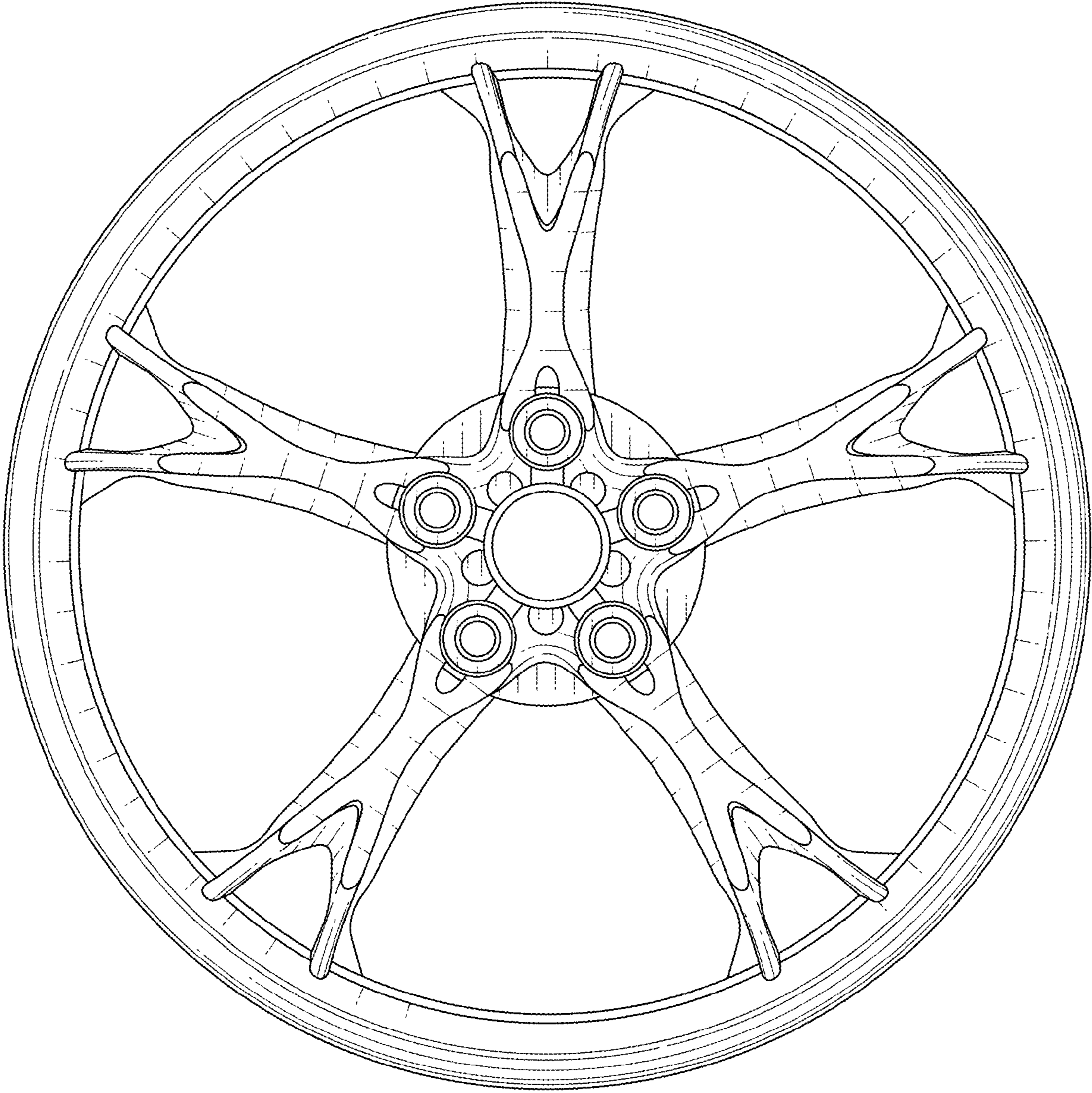


FIG. 2

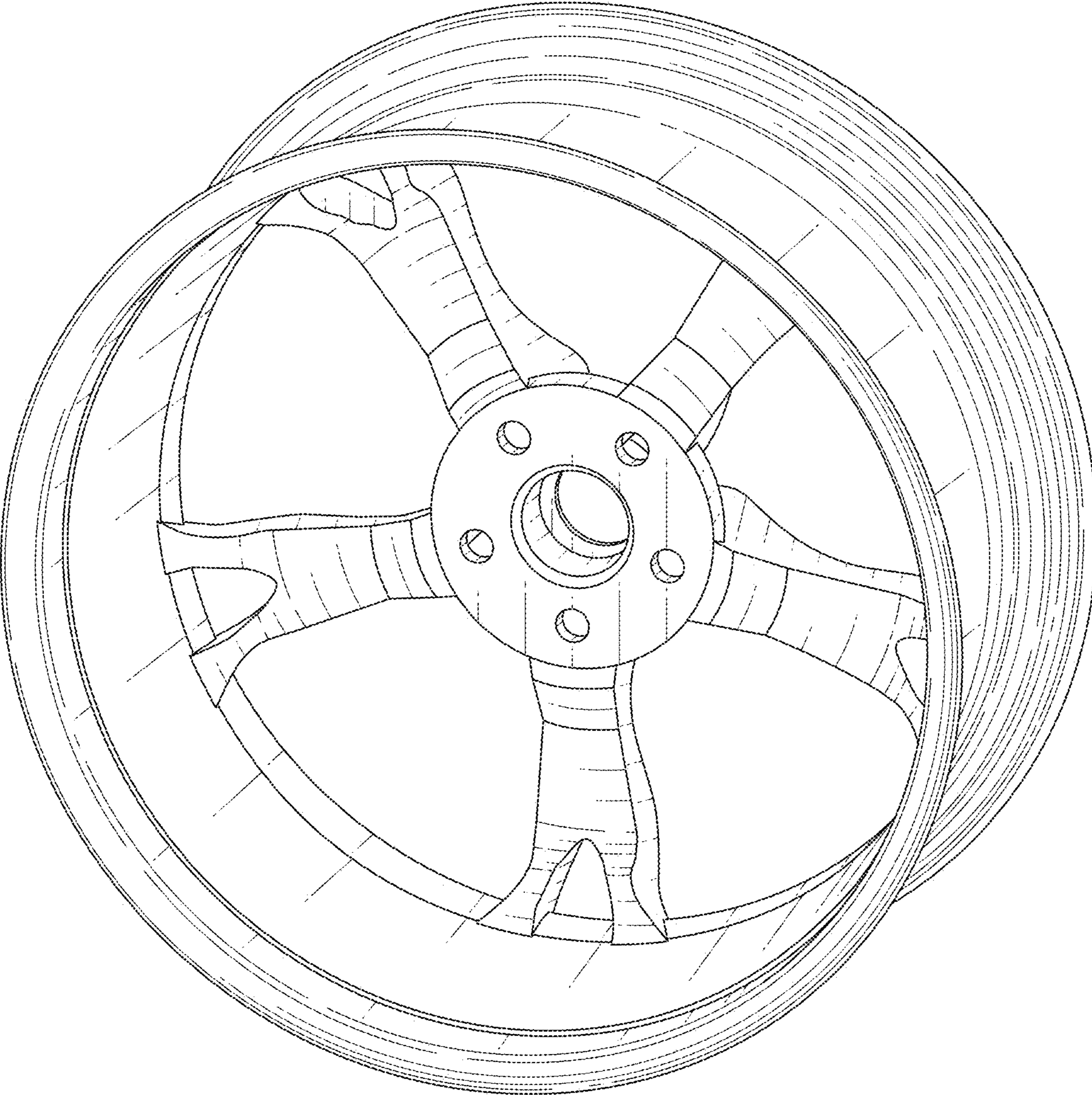


FIG. 3

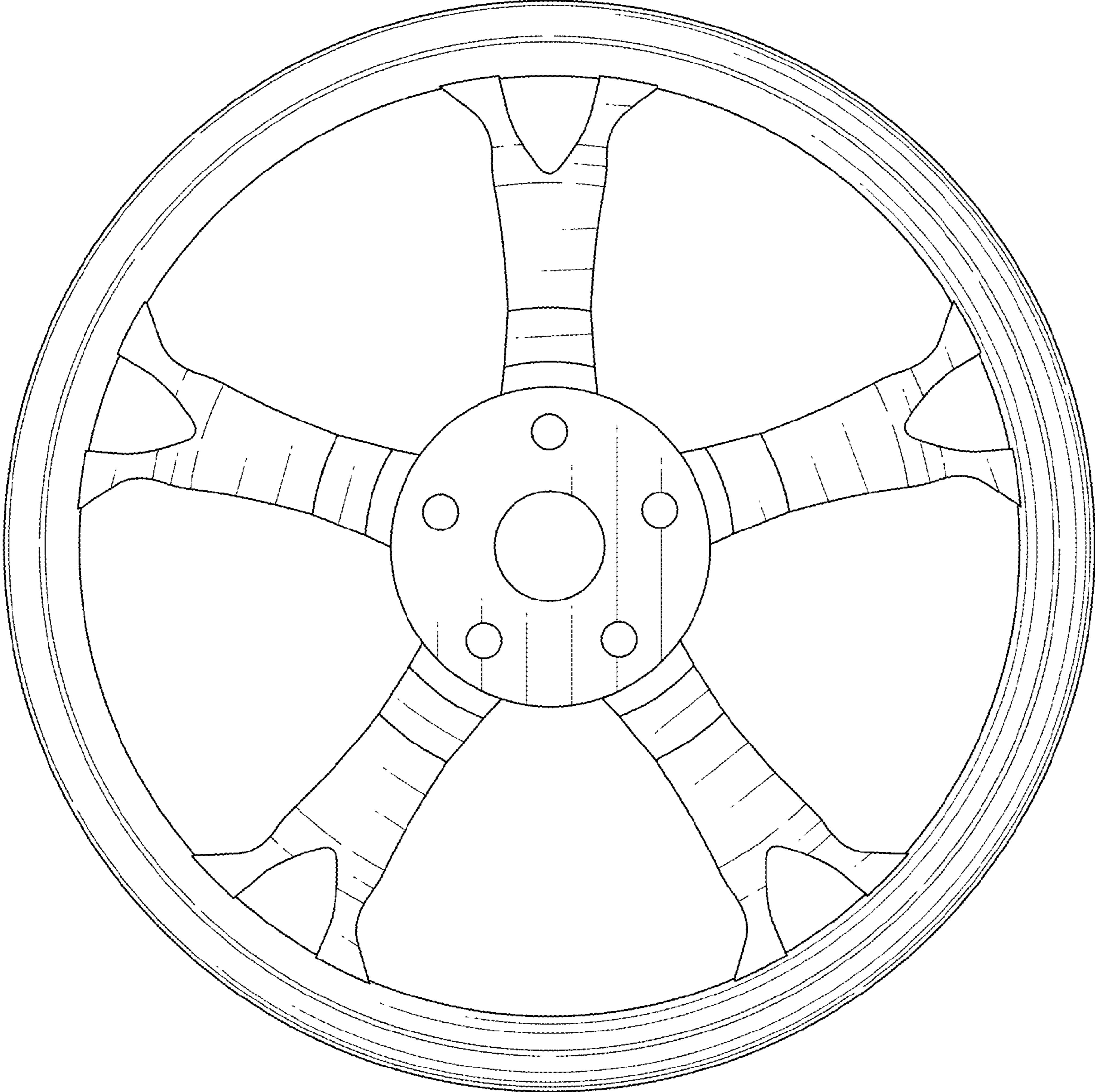


FIG. 4

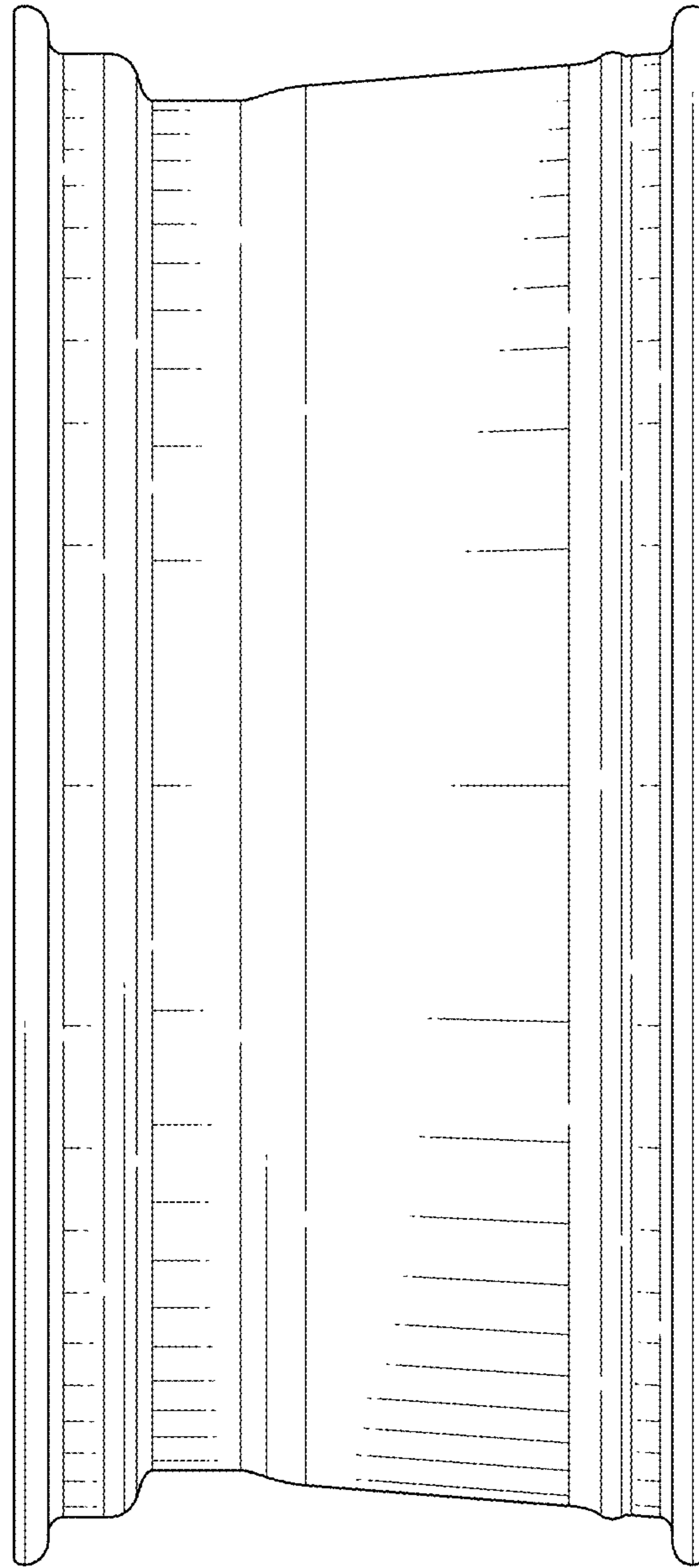


FIG. 5