



US00D978755S

(12) **United States Design Patent**
Pollard

(10) **Patent No.:** **US D978,755 S**

(45) **Date of Patent:** **** Feb. 21, 2023**

(54) **WHEEL**

(71) Applicant: **Jaguar Land Rover Limited**, Whitley
Coventry (GB)

(72) Inventor: **Christopher Pollard**, Whitley Coventry
(GB)

(73) Assignee: **Jaguar Land Rover Limited**, Whitley
Coventry (GB)

(**) Term: **15 Years**

(21) Appl. No.: **29/786,485**

(22) Filed: **Jun. 1, 2021**

(30) **Foreign Application Priority Data**

Dec. 3, 2020 (EM) 008308548-0009

(51) **LOC (14) Cl.** **12-16**

(52) **U.S. Cl.**
USPC **D12/209**

(58) **Field of Classification Search**
USPC D12/204-213; D21/563
CPC B60B 7/00; B60B 7/02; B60B 7/04; B60B
7/01; B60B 7/06; B60B 3/02; B60B 3/04;
B60B 3/06; B60B 3/10; B60B 1/00;
B60B 1/08; B60B 1/10; B60B 1/12
See application file for complete search history.

(56) **References Cited**

U.S. PATENT DOCUMENTS

D422,959 S * 4/2000 Hussaini D12/211
D425,007 S * 5/2000 Noriega D12/211

D438,834 S * 3/2001 Ong D12/211
D466,462 S * 12/2002 Lee D12/209
D475,675 S * 6/2003 Iacovelli D12/211
D503,918 S * 4/2005 Fahr-Becker D12/211
D520,437 S * 5/2006 Scheu D12/211
D530,657 S * 10/2006 Pfeiffer D12/211
D575,718 S * 8/2008 Pfeiffer D12/211
D643,793 S * 8/2011 Juergens D12/209
D682,764 S * 5/2013 Amezketa D12/211
D715,208 S * 10/2014 Grake D12/209
D767,467 S * 9/2016 Davidson D12/211
D783,489 S * 4/2017 Bucher D12/209
D791,038 S * 7/2017 Piscitelli D12/209
D827,544 S * 9/2018 Platto D12/209
D856,888 S * 8/2019 Melville-Brown D12/209
D864,836 S * 10/2019 Preyss D12/211
D895,517 S * 9/2020 Badstuebner D12/209
D911,901 S * 3/2021 Liu D12/209

* cited by examiner

Primary Examiner — Calvin E Vansant

(74) *Attorney, Agent, or Firm* — Wood Herron & Evans
LLP

(57) **CLAIM**

The ornamental design for a wheel, as shown and described.

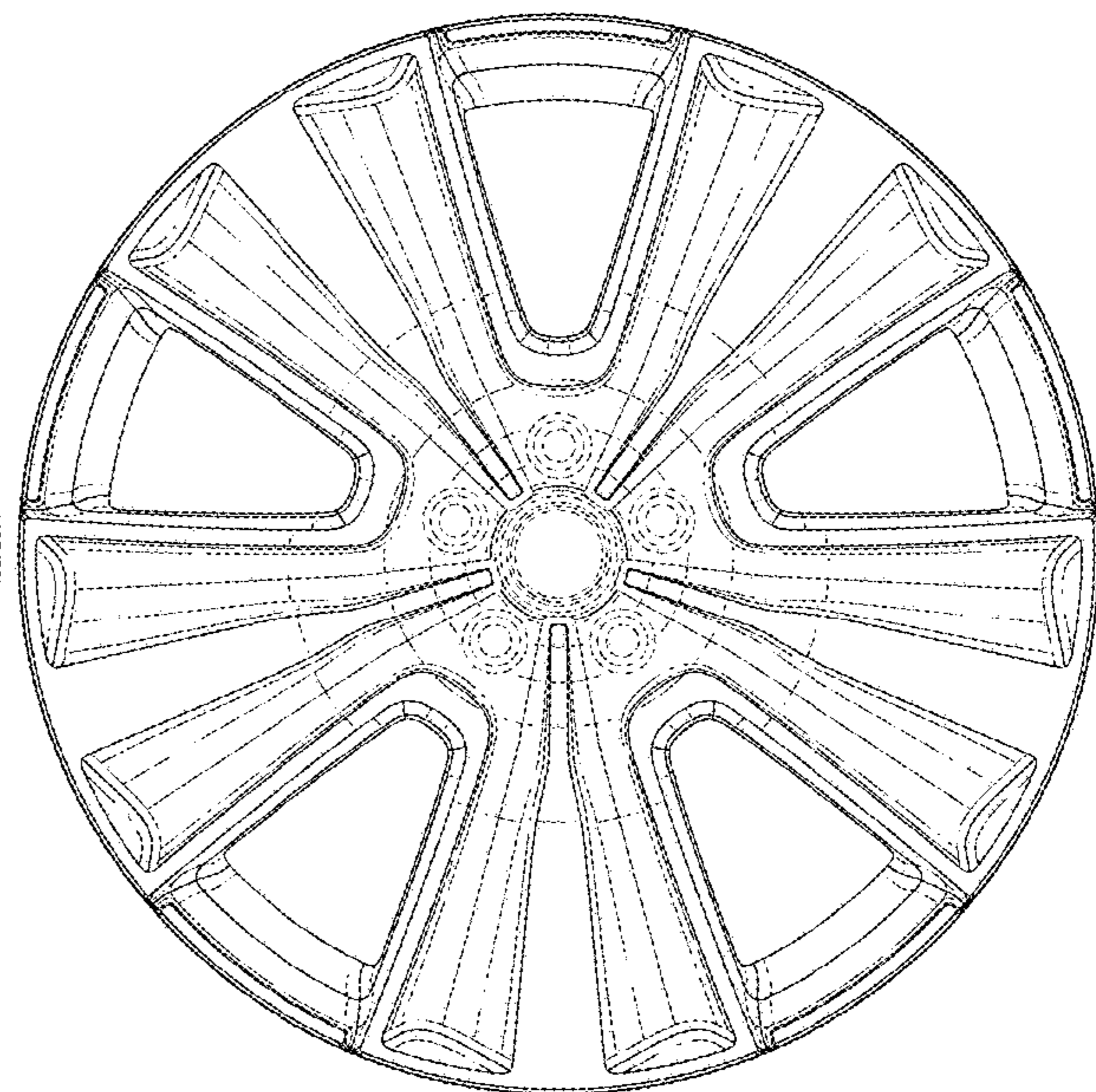
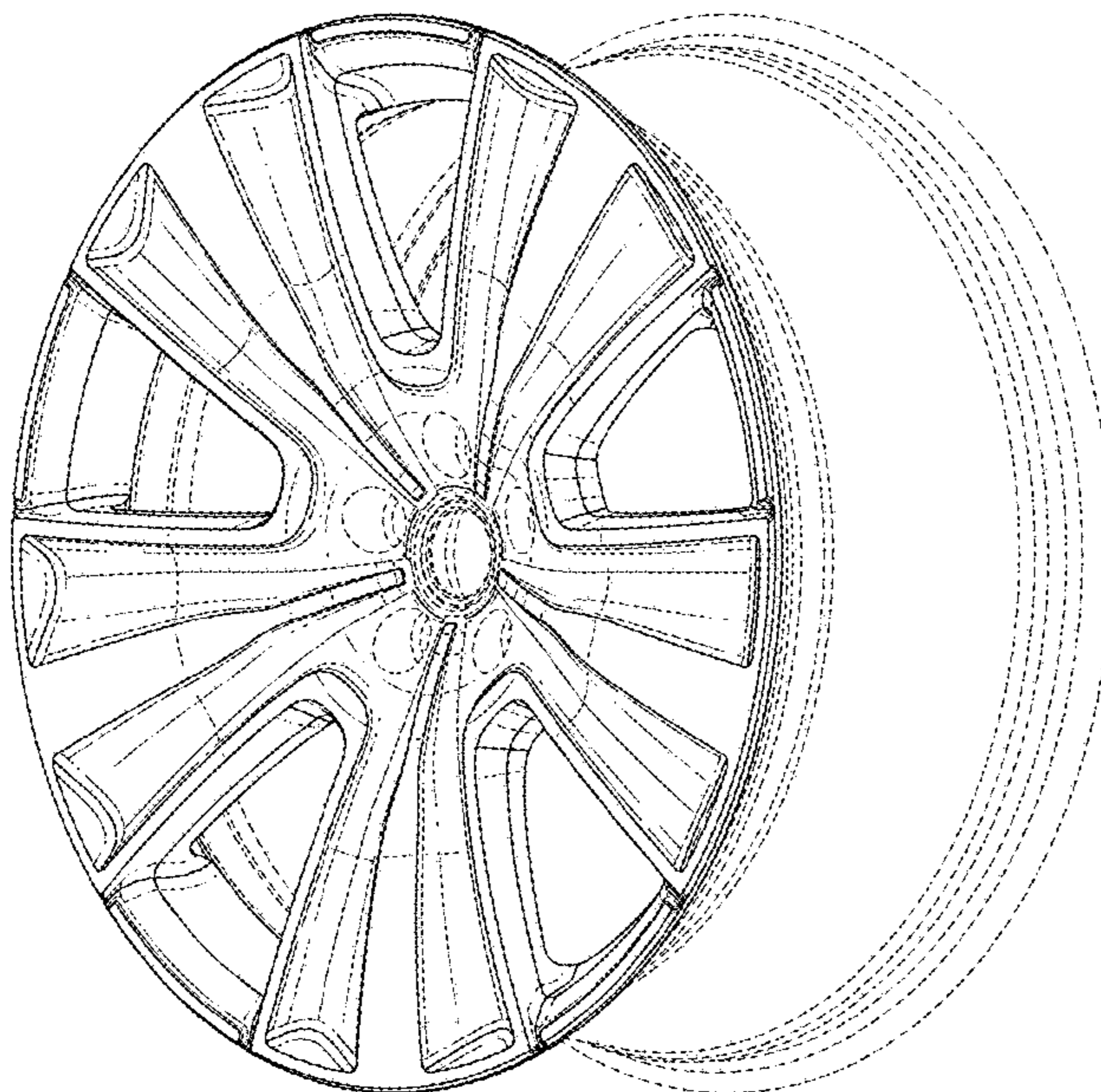
DESCRIPTION

FIG. 1 is a front right perspective view of a wheel according to the present invention.

FIG. 2 is a front view of the wheel shown in FIG. 1; and, FIG. 3 is a left side view thereof, the right side view being a mirror image thereof.

The broken lines form no part of the claimed design, but instead show environmental structure.

1 Claim, 3 Drawing Sheets



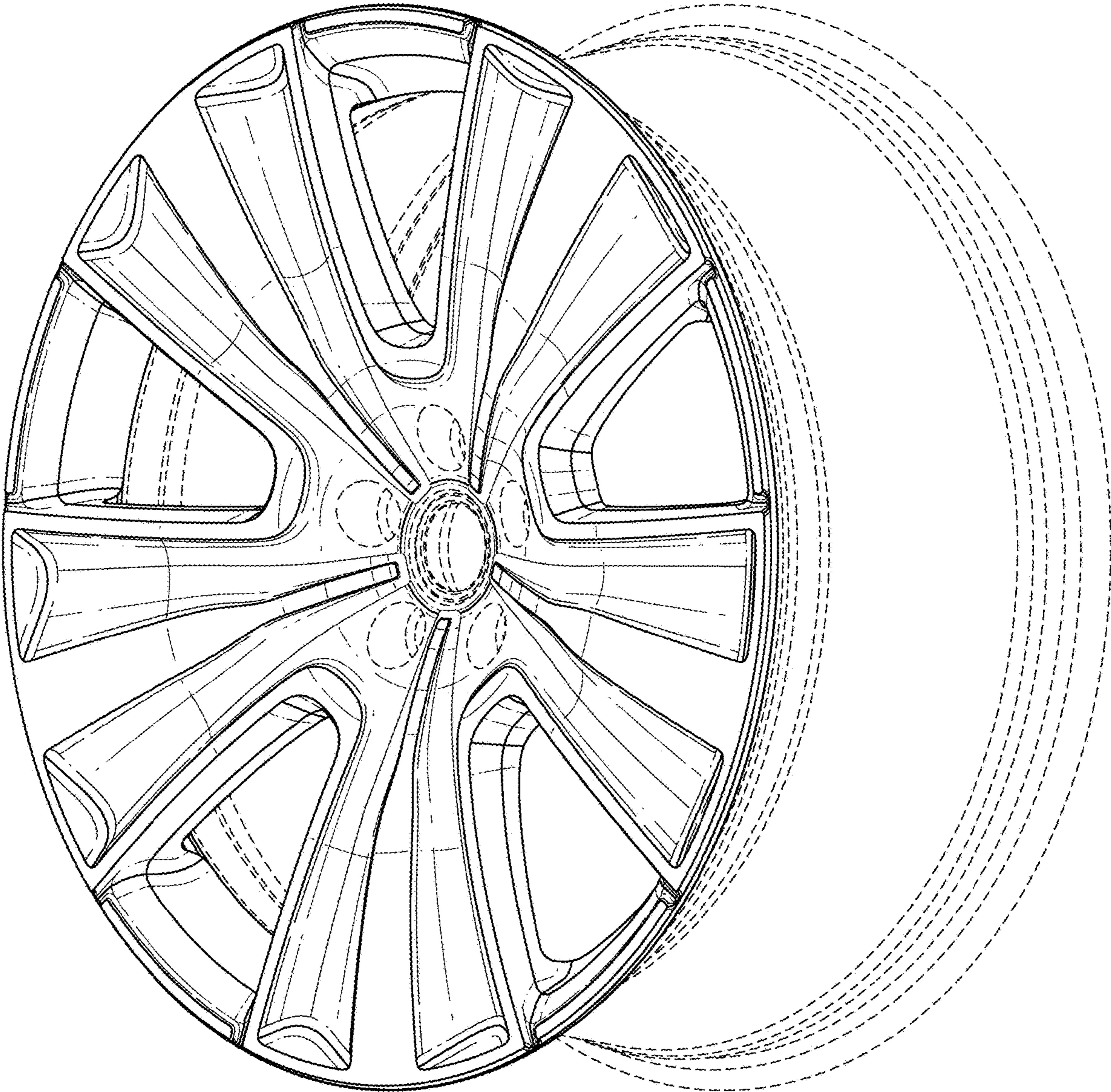


FIG. 1

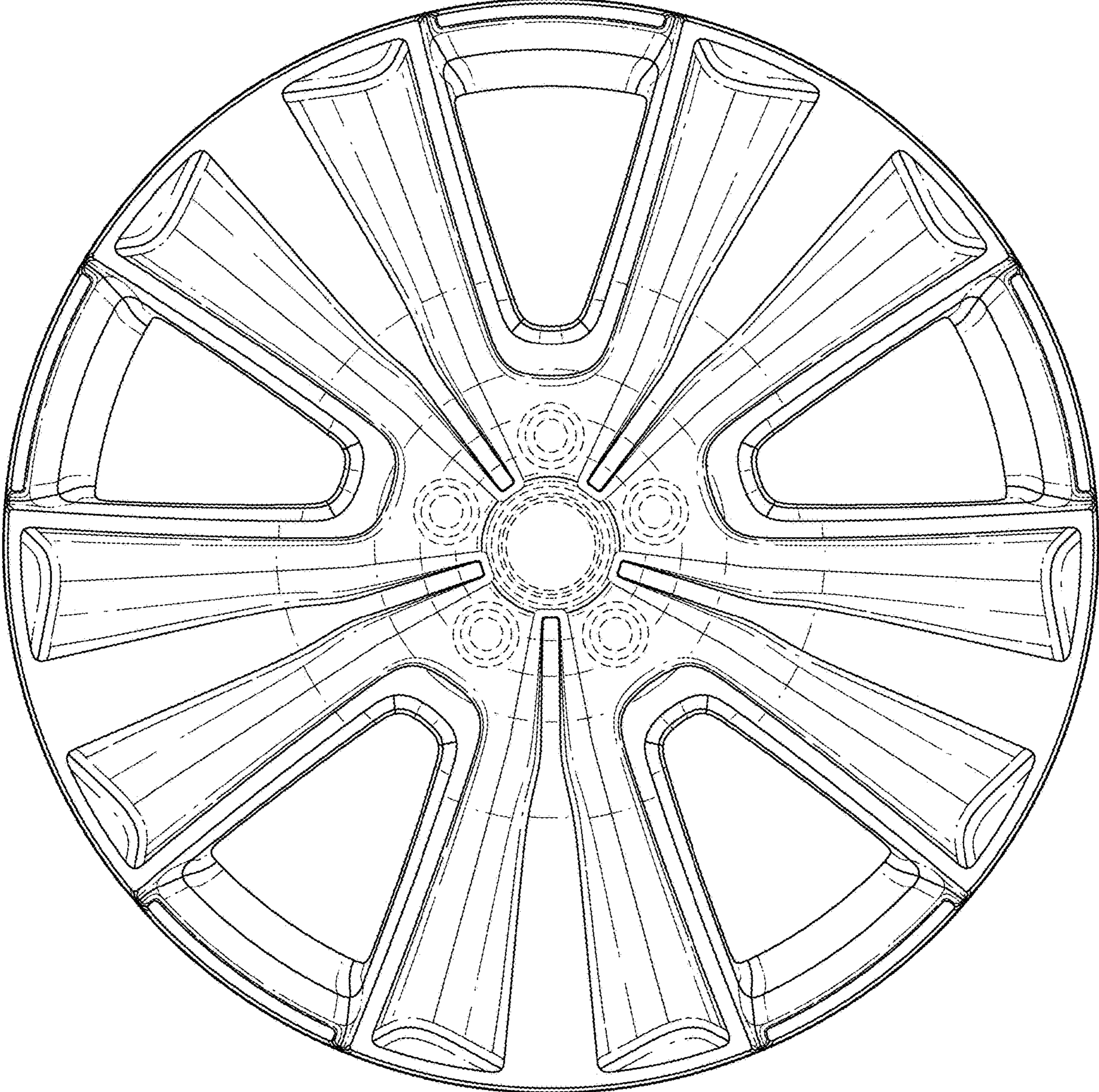


FIG. 2

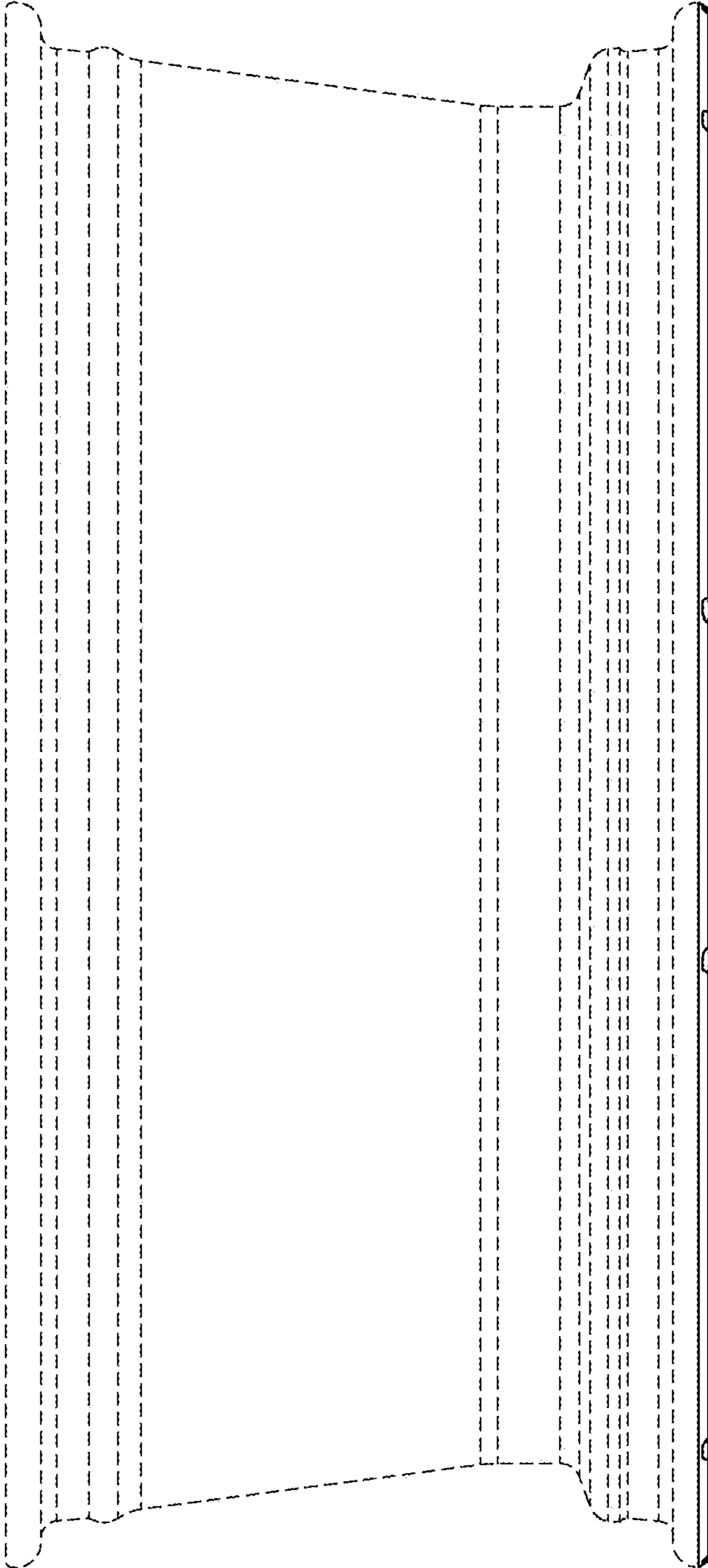


FIG. 3