



US00D978754S

(12) **United States Design Patent**  
**Prevoteaux**

(10) **Patent No.:** **US D978,754 S**

(45) **Date of Patent:** **\*\* Feb. 21, 2023**

(54) **VEHICLE RIM**

(71) Applicant: **VOLVO CAR CORPORATION,**  
Gothenburg (SE)

(72) Inventor: **Maxime Prevoteaux,** Gothenburg (SE)

(73) Assignee: **VOLVO CAR CORPORATION,**  
Gothenburg (SE)

(\*\*) Term: **15 Years**

(21) Appl. No.: **29/785,869**

(22) Filed: **May 27, 2021**

(30) **Foreign Application Priority Data**

Dec. 21, 2020 (EM) ..... 008353775-0003

(51) **LOC (14) Cl.** ..... **12-16**

(52) **U.S. Cl.**  
USPC ..... **D12/209; D12/211**

(58) **Field of Classification Search**

USPC ..... D12/204-213; D21/563  
CPC .... B60B 7/00; B60B 7/02; B60B 7/04; B60B  
7/01; B60B 7/06; B60B 3/02; B60B 3/04;  
B60B 3/06; B60B 3/10; B60B 1/00;  
B60B 1/08; B60B 1/10; B60B 1/12

See application file for complete search history.

(56) **References Cited**

**U.S. PATENT DOCUMENTS**

D615,018 S \* 5/2010 Truebsbach ..... D12/211  
D691,541 S \* 10/2013 Behmer ..... D12/209  
D697,003 S \* 1/2014 Baum ..... D12/209  
D697,008 S \* 1/2014 Juergens ..... D12/209  
D704,120 S \* 5/2014 Feuerherdt ..... D12/211

D717,709 S \* 11/2014 Valencia Pollex ..... D12/209  
D800,627 S \* 10/2017 Mielke ..... D12/209  
D800,631 S \* 10/2017 Krause ..... D12/211  
D849,645 S \* 5/2019 Khachatryan ..... D12/209  
D849,646 S \* 5/2019 Waldron ..... D12/209  
D859,274 S \* 9/2019 Khachatryan ..... D12/211  
D861,567 S \* 10/2019 Bjerke ..... D12/209  
D864,829 S \* 10/2019 Groth ..... D12/209  
D868,662 S \* 12/2019 Moore ..... D12/209  
D903,569 S \* 12/2020 Junghans ..... D12/209  
D904,959 S \* 12/2020 Groth ..... D12/209  
D905,609 S \* 12/2020 Myrberg ..... D12/209  
D908,579 S \* 1/2021 Badstuebner ..... D12/209  
D955,962 S \* 6/2022 Lesnik ..... D12/211

\* cited by examiner

*Primary Examiner* — Calvin E Vansant

(74) *Attorney, Agent, or Firm* — Calderon Safran & Cole  
PC

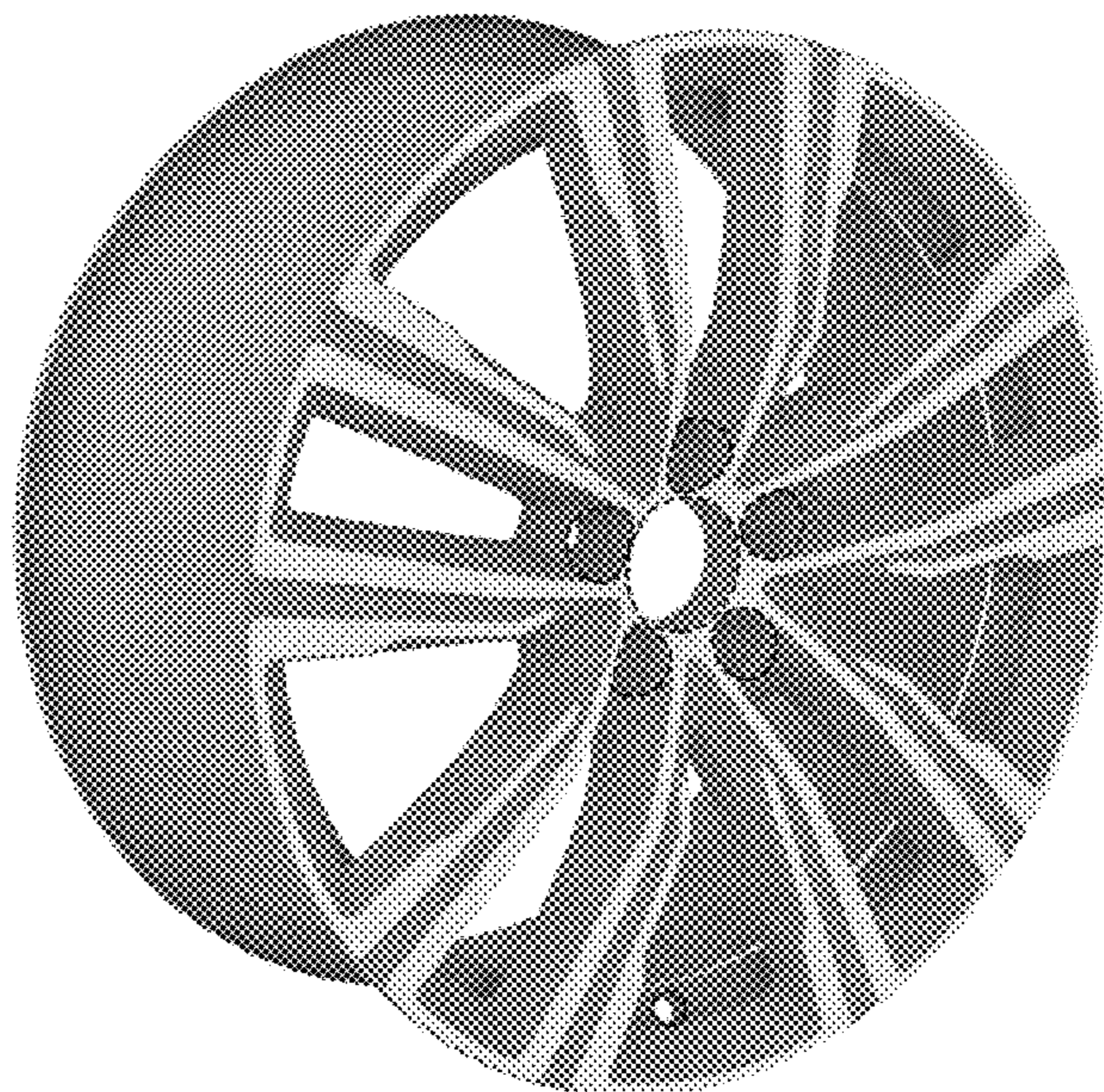
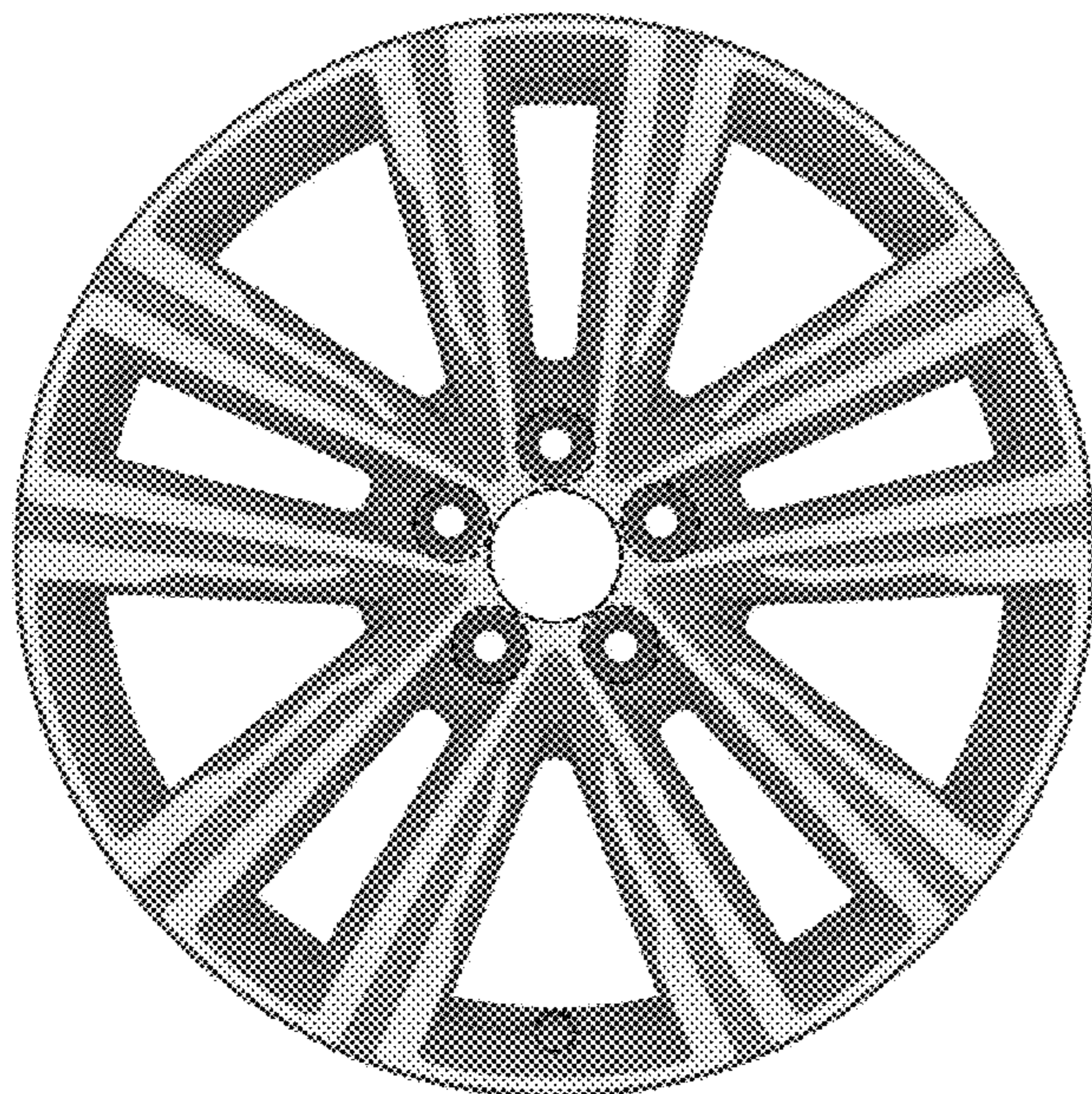
(57) **CLAIM**

The ornamental design for a vehicle rim, as shown and described.

**DESCRIPTION**

FIG. 1 is a front view of a vehicle rim showing my new design;  
FIG. 2 is a front right perspective view thereof;  
FIG. 3 is a left rear perspective view thereof;  
FIG. 4 is a right side view thereof;  
FIG. 5 is a left side view thereof;  
FIG. 6 is a rear view thereof;  
FIG. 7 is a top view thereof; and,  
FIG. 8 is a bottom view thereof.  
Portions of the design shown within a dotted perimeter in the Figures form no part of the claimed design.

**1 Claim, 8 Drawing Sheets**







**FIG. 1**





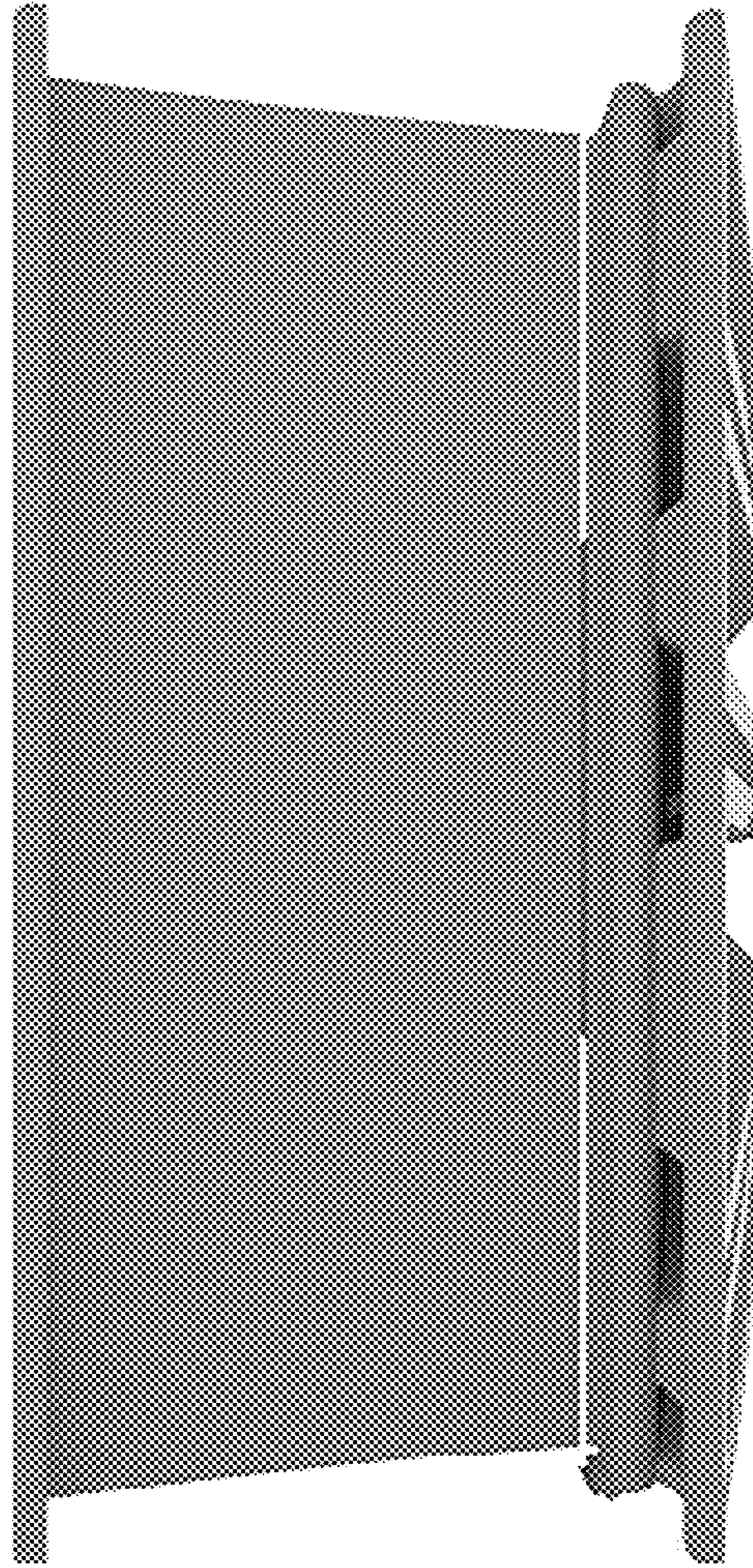
**FIG. 2**



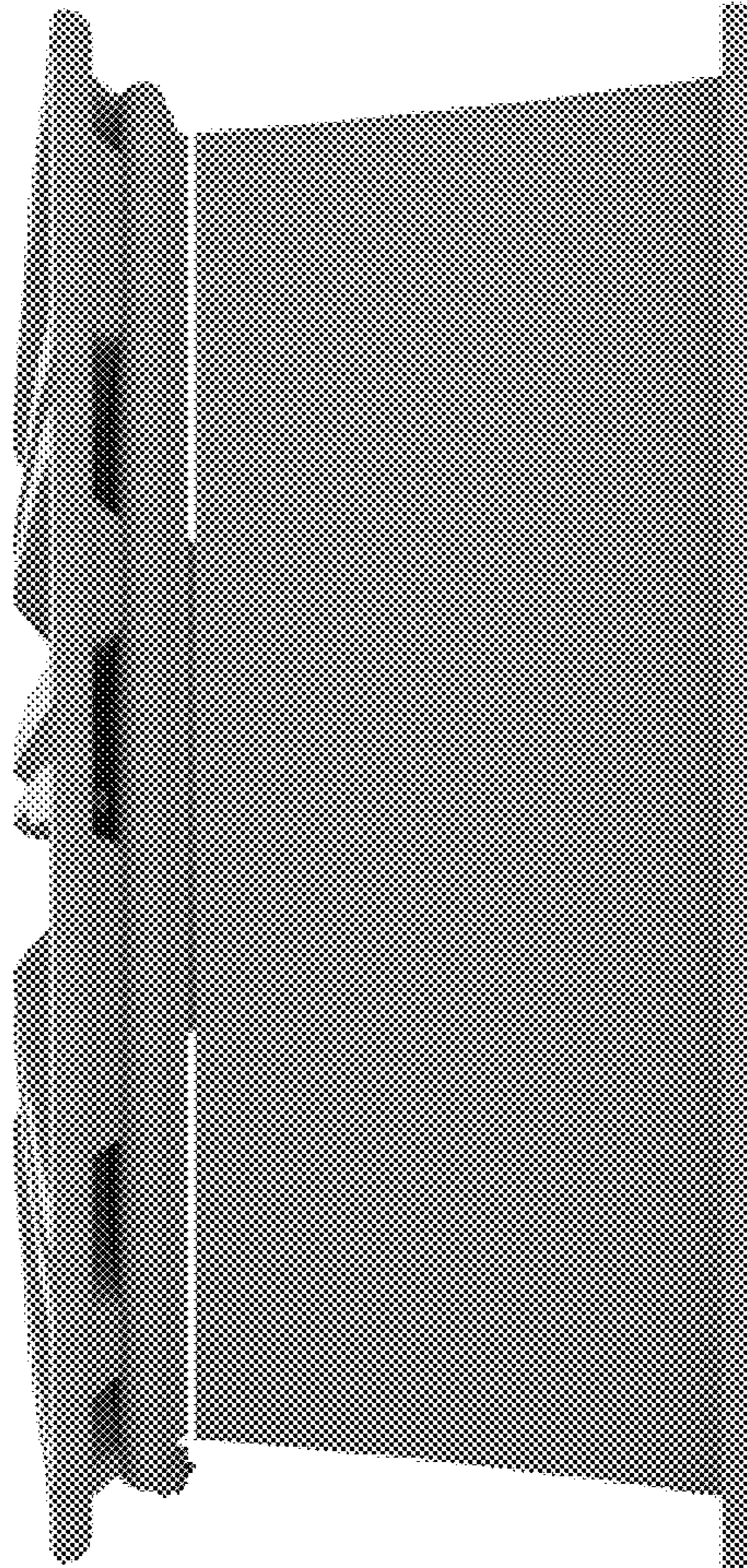


FIG. 3





**FIG. 4**

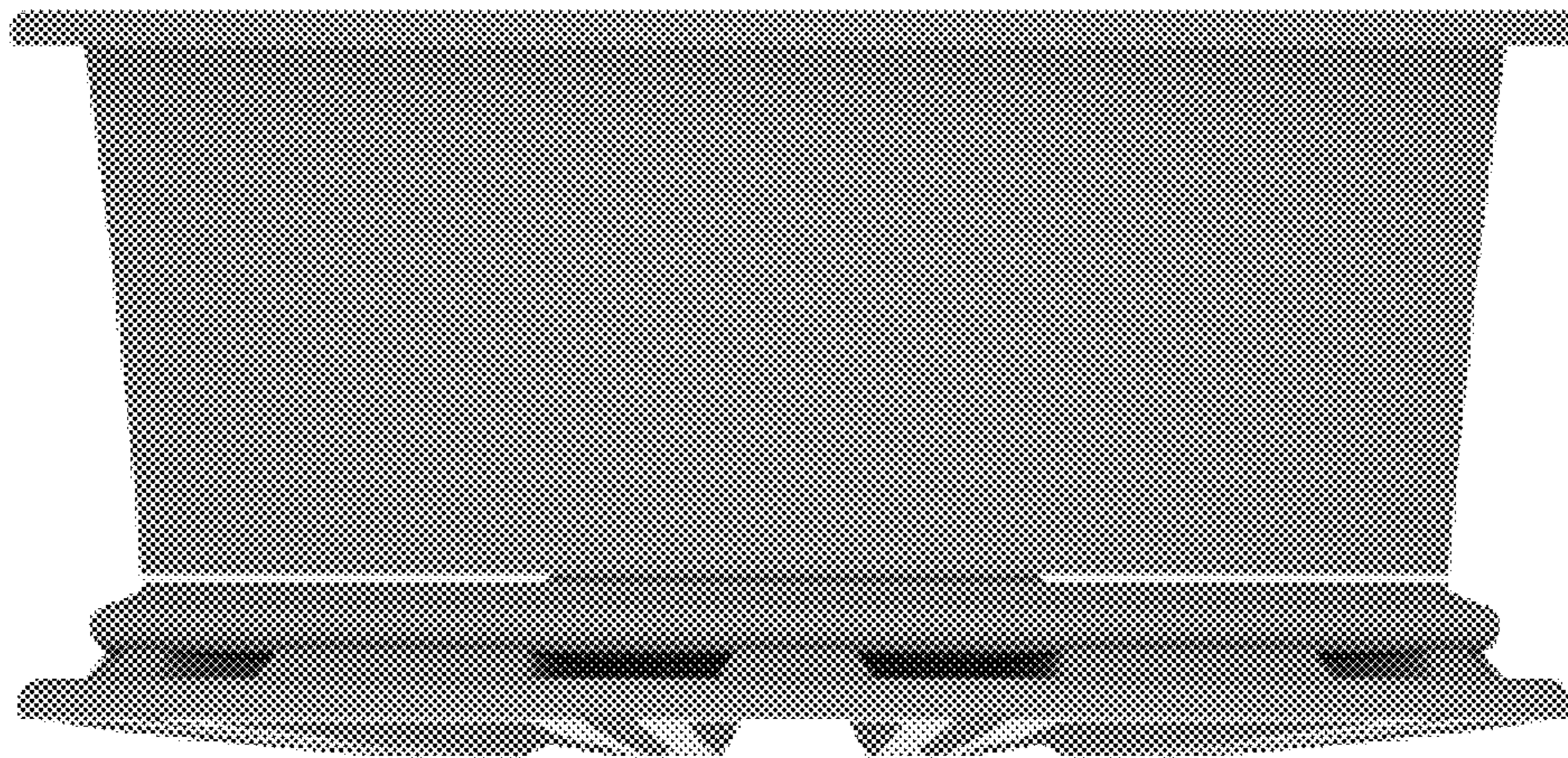


**FIG. 5**



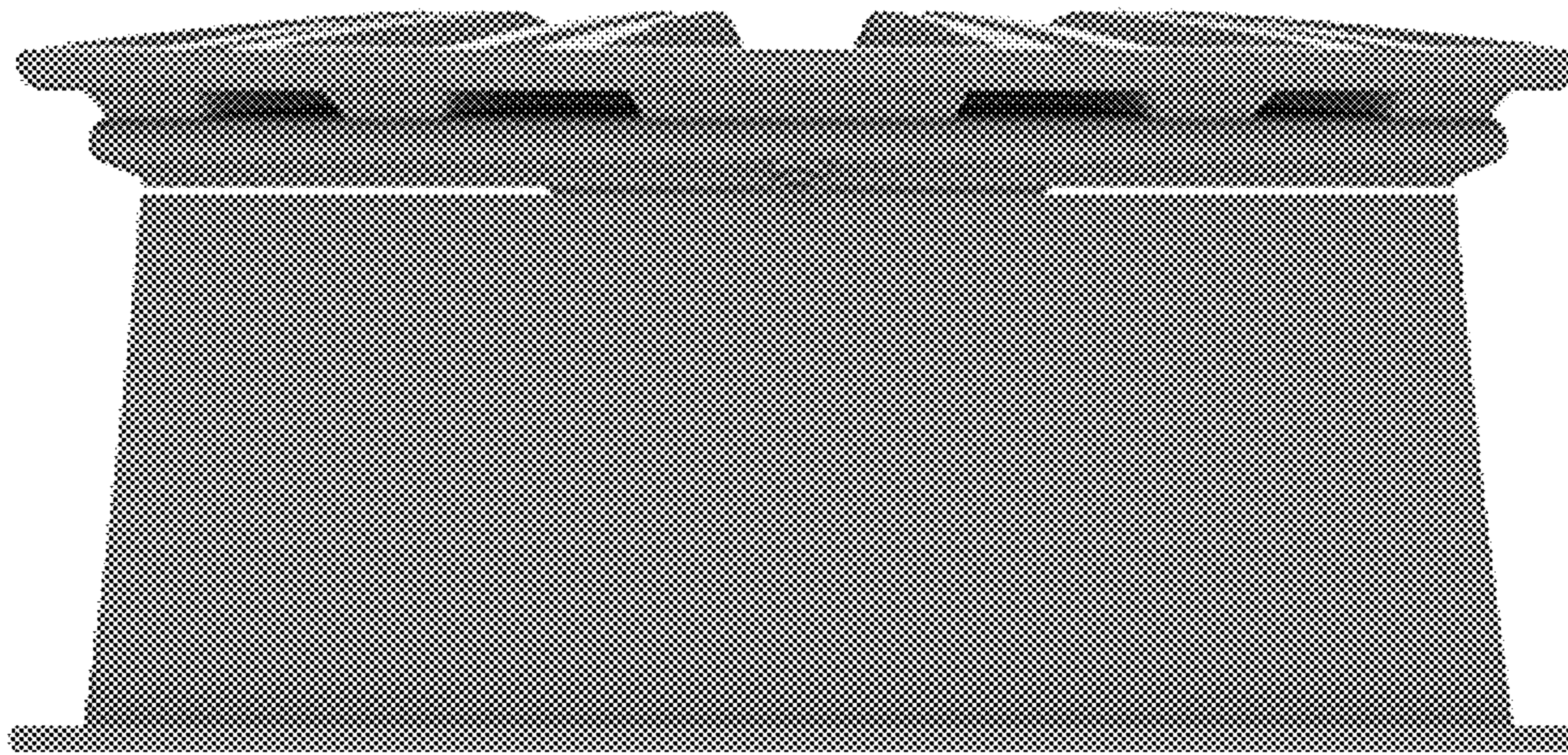


**FIG. 6**



**FIG. 7**





**FIG. 8**