



US00D978749S

(12) **United States Design Patent**
Guevara Arreola et al.

(10) **Patent No.:** **US D978,749 S**

(45) **Date of Patent:** **** Feb. 21, 2023**

(54) **VEHICLE LATCH**

(71) Applicant: **Inteva Products, LLC**, Troy, MI (US)

(72) Inventors: **Francisco Guevara Arreola**, Shanghai (CN); **Manuel Antonio Escamilla Hernandez**, Chihuahua (MX); **Eduardo Estrada de Leon**, Chihuahua (MX); **Carlos Isaac Tostado Bocanegra**, Ciudad Juarez Chih (MX); **Wilfredo Marquez Rios**, Chihuahua (MX)

(73) Assignee: **INTEVA PRODUCTS, LLC**, Troy, MI (US)

(**) Term: **15 Years**

(21) Appl. No.: **29/772,215**

(22) Filed: **Feb. 27, 2021**

(51) **LOC (14) Cl.** **12-08**

(52) **U.S. Cl.**
USPC **D12/195**

(58) **Field of Classification Search**
USPC D12/195, 400; D8/339, 302, 330, 335
CPC B60R 19/02; B60R 19/04; B60R 3/00;
B60R 19/48; B60R 19/24; B62D 25/08
See application file for complete search history.

(56) **References Cited**

U.S. PATENT DOCUMENTS

D345,294 S *	3/1994	Palmer	D8/339
D564,337 S *	3/2008	Brojanac	D13/178
D564,859 S *	3/2008	Brojanac	D13/178
D615,015 S *	5/2010	Wiora	D12/195
D626,482 S *	11/2010	Prichard	D12/195
D626,483 S *	11/2010	Prichard	D12/195
D663,604 S *	7/2012	Rohde	D8/343
D743,773 S *	11/2015	Shah	D8/331
D826,027 S *	8/2018	Carey	D8/343
10,400,484 B2 *	9/2019	Didier	E05B 79/20

10,465,424 B2 *	11/2019	Ishiguro	E05B 77/04
D934,819 S *	11/2021	Enger	H01H 9/283
				D13/178
11,441,339 B2 *	9/2022	Iwata	E05B 81/04
2018/0216370 A1 *	8/2018	Ishiguro	E05B 77/34
2020/0011094 A1 *	1/2020	Guevara Arreola	E05B 15/1635
2022/0275670 A1 *	9/2022	Guevara Arreola	E05B 79/20

OTHER PUBLICATIONS

“Latch Systems” Inteva Products., posted date Mar. 2, 2019 [online], [retrieved on Sep. 27, 2022]. Retrieved from the Internet: <URL: <https://www.intevaproducts.com/products/closure-systems/latching-systems>> (Year: 2019).*

“Dorman 931-607 Rear Passenger Side Door Latch” Dorman., posted date Oct. 14, 2016 [online], [retrieved on Sep. 27, 2022]. Retrieved from the Internet: <URL: <https://www.amazon.com/Dorman-931-607-Chrysler-Plymouth-Passenger/dp/B01M7PTWVJ>> (Year: 2016).*

(Continued)

Primary Examiner — Darlington Lyz

Assistant Examiner — Nasim Abdulaziz Ali

(74) *Attorney, Agent, or Firm* — Cantor Colburn LLP

(57) **CLAIM**

The ornamental design for a vehicle latch, as shown and described.

DESCRIPTION

FIG. 1 is a perspective view of a vehicle latch showing our new design;

FIG. 2 is a front elevation view thereof;

FIG. 3 is a rear elevation view thereof;

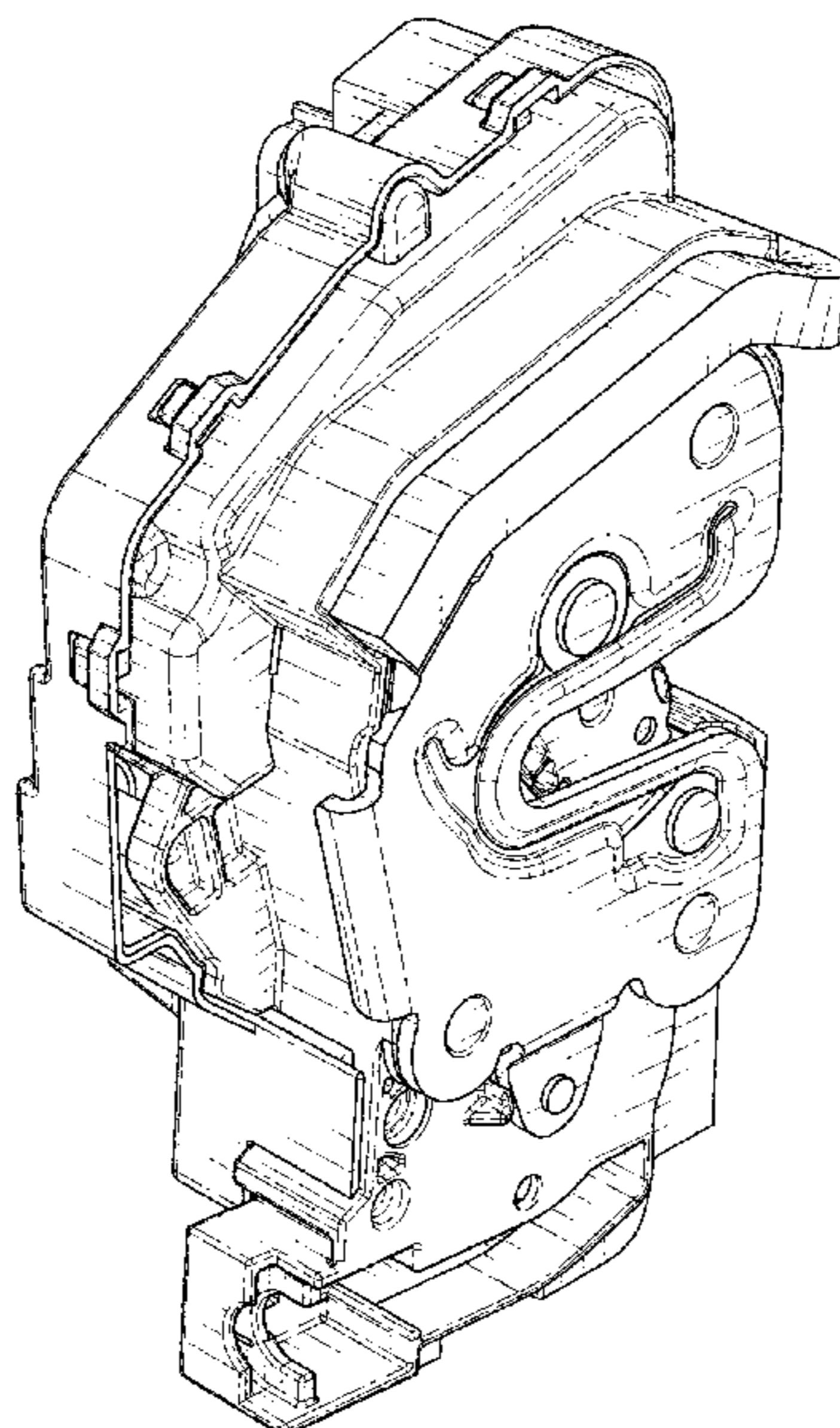
FIG. 4 is a left side elevation view thereof;

FIG. 5 is a right side elevation view thereof;

FIG. 6 is a top plan view thereof; and,

FIG. 7 is a bottom plan view thereof.

1 Claim, 7 Drawing Sheets



(56)

References Cited

OTHER PUBLICATIONS

“Exerock Sierra Door Lock Passenger Side Latch Actuator” Exerock., posted date Feb. 21, 2019 [online], [retrieved on Sep. 27, 2022]. Retrieved from the Internet: <URL: <https://www.amazon.com/Exerock-2007-2014-Chevrolet-2007-2009-Silverado/dp/B07NZ2Y67H?th=1>> (Year: 2019).*

* cited by examiner

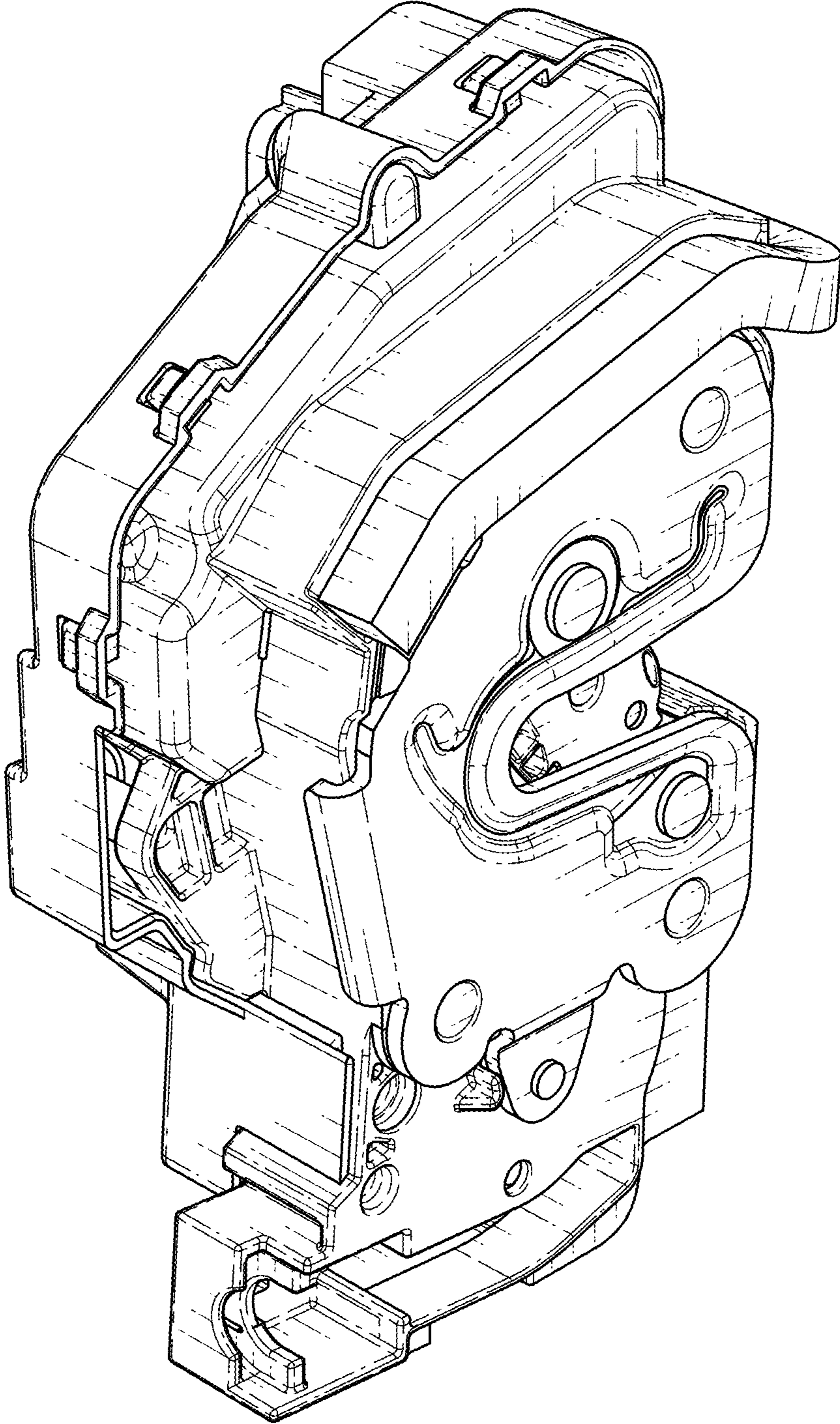


FIG. 1

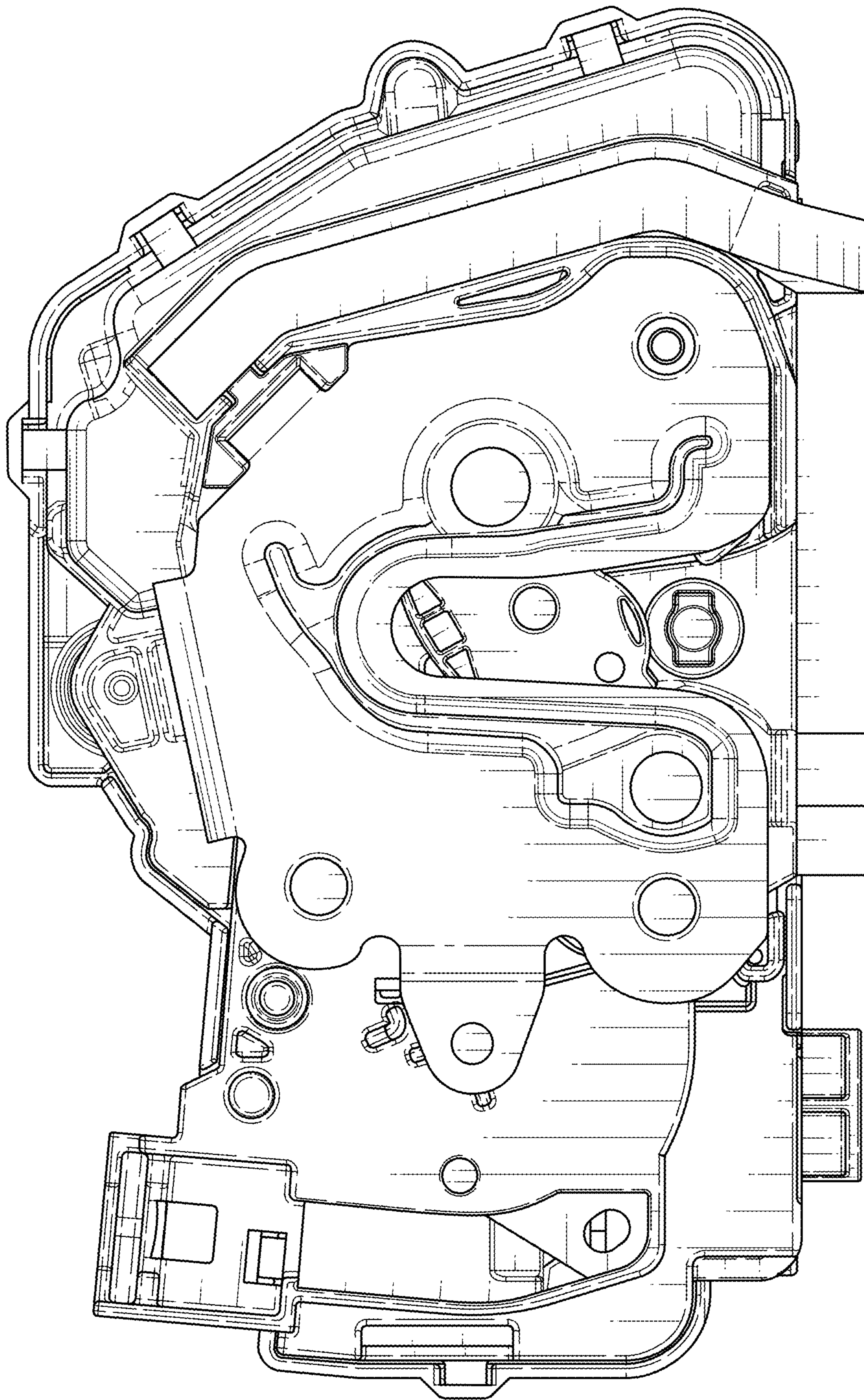


FIG. 2

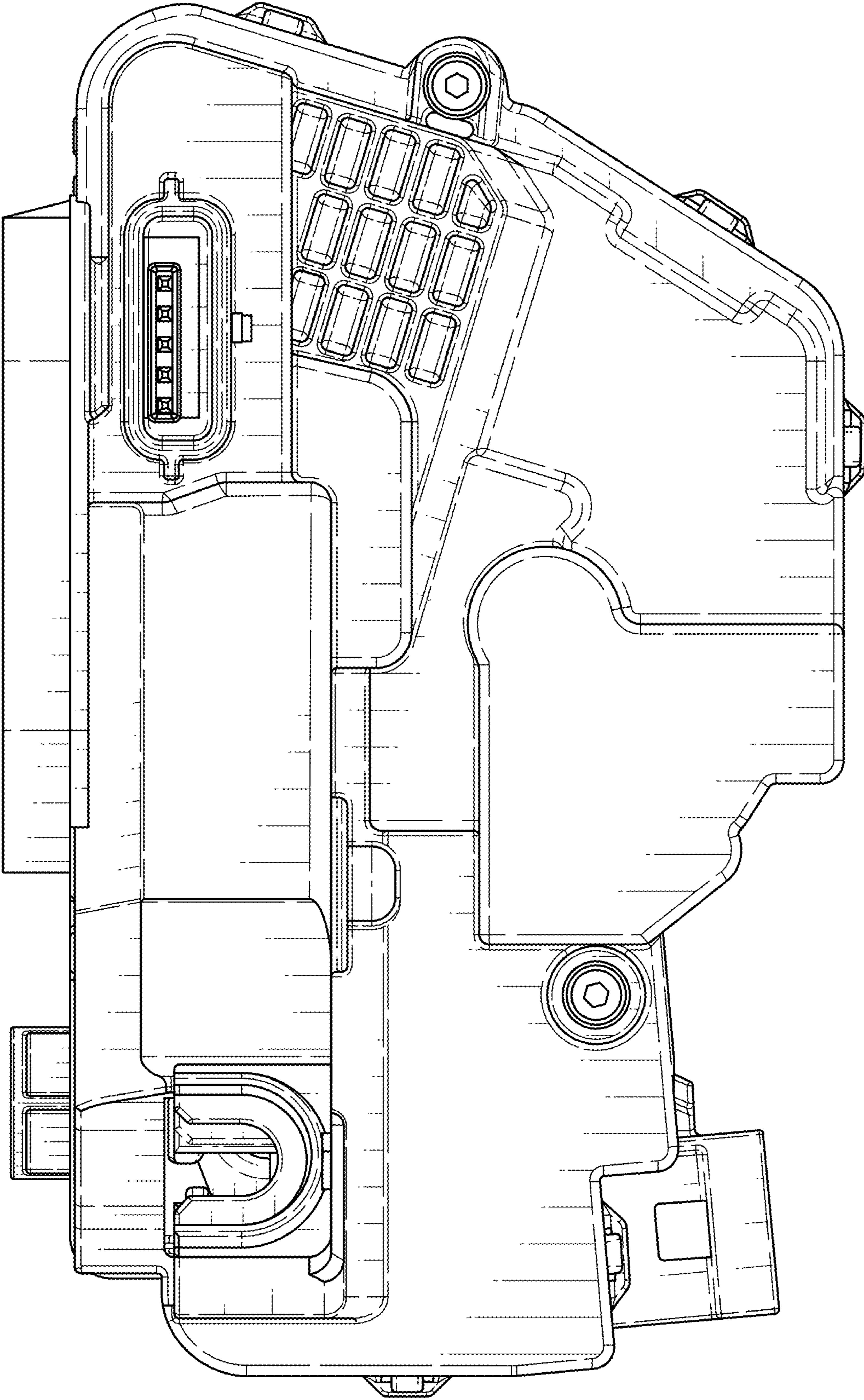


FIG. 3

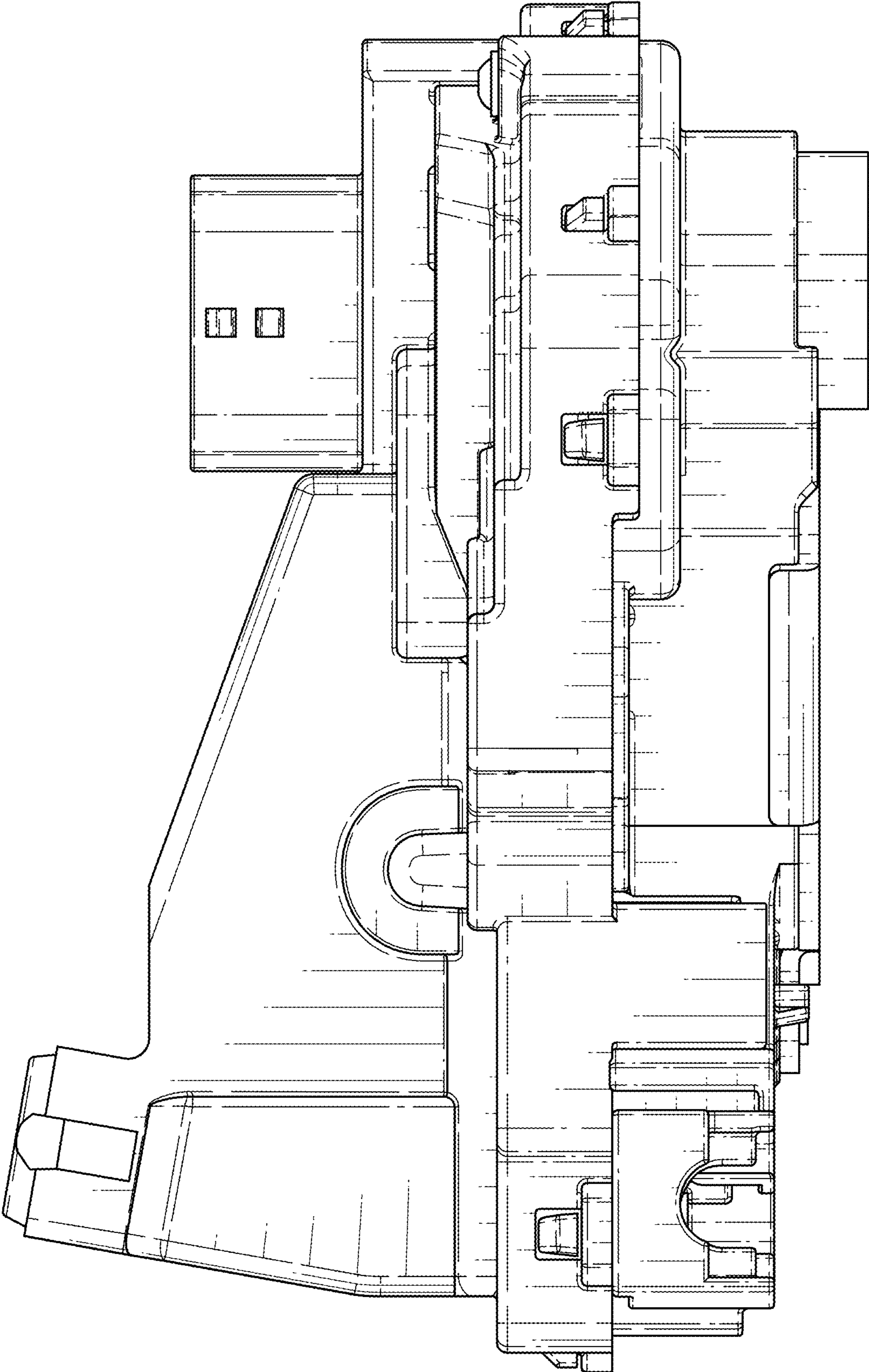


FIG. 4

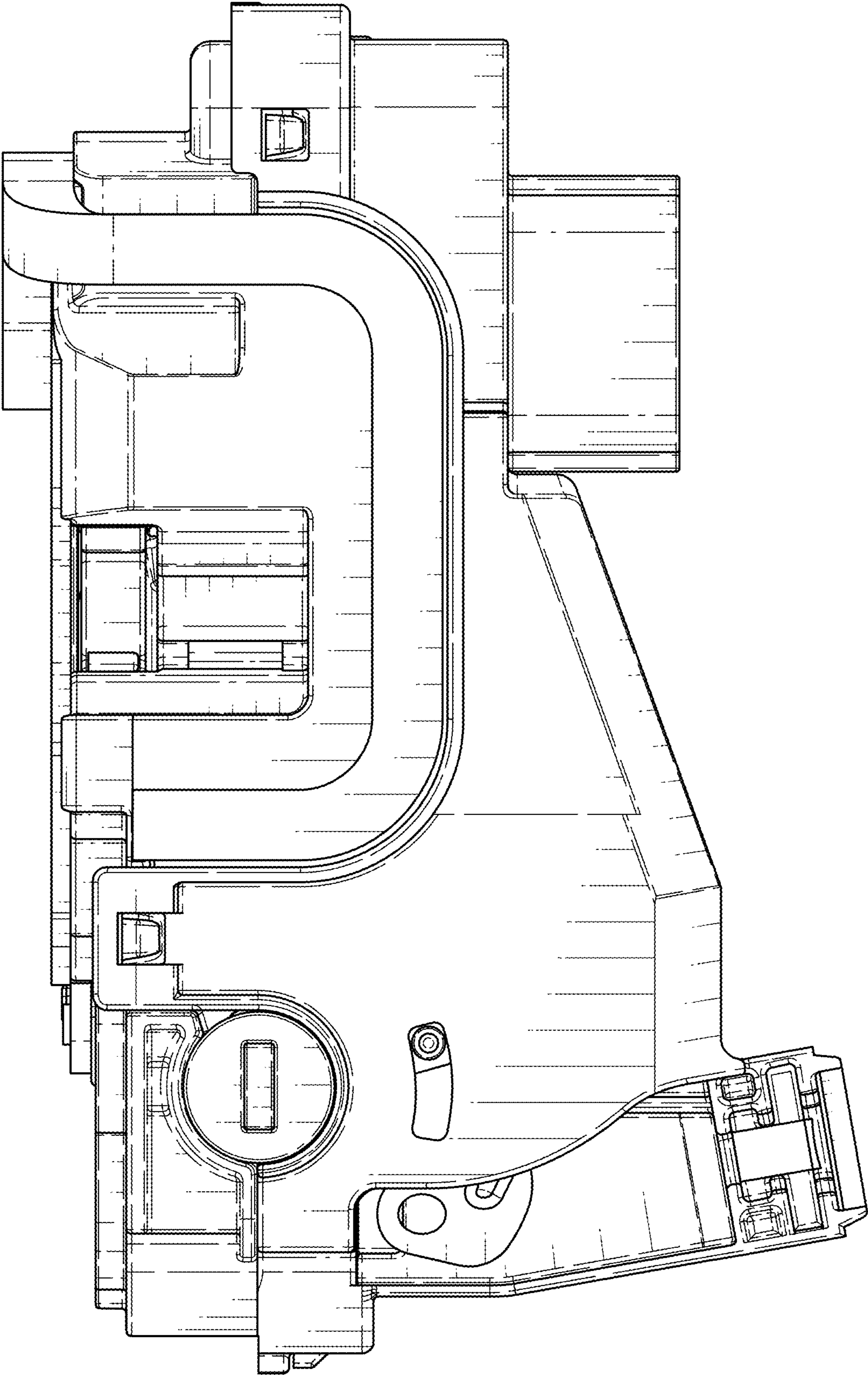


FIG. 5

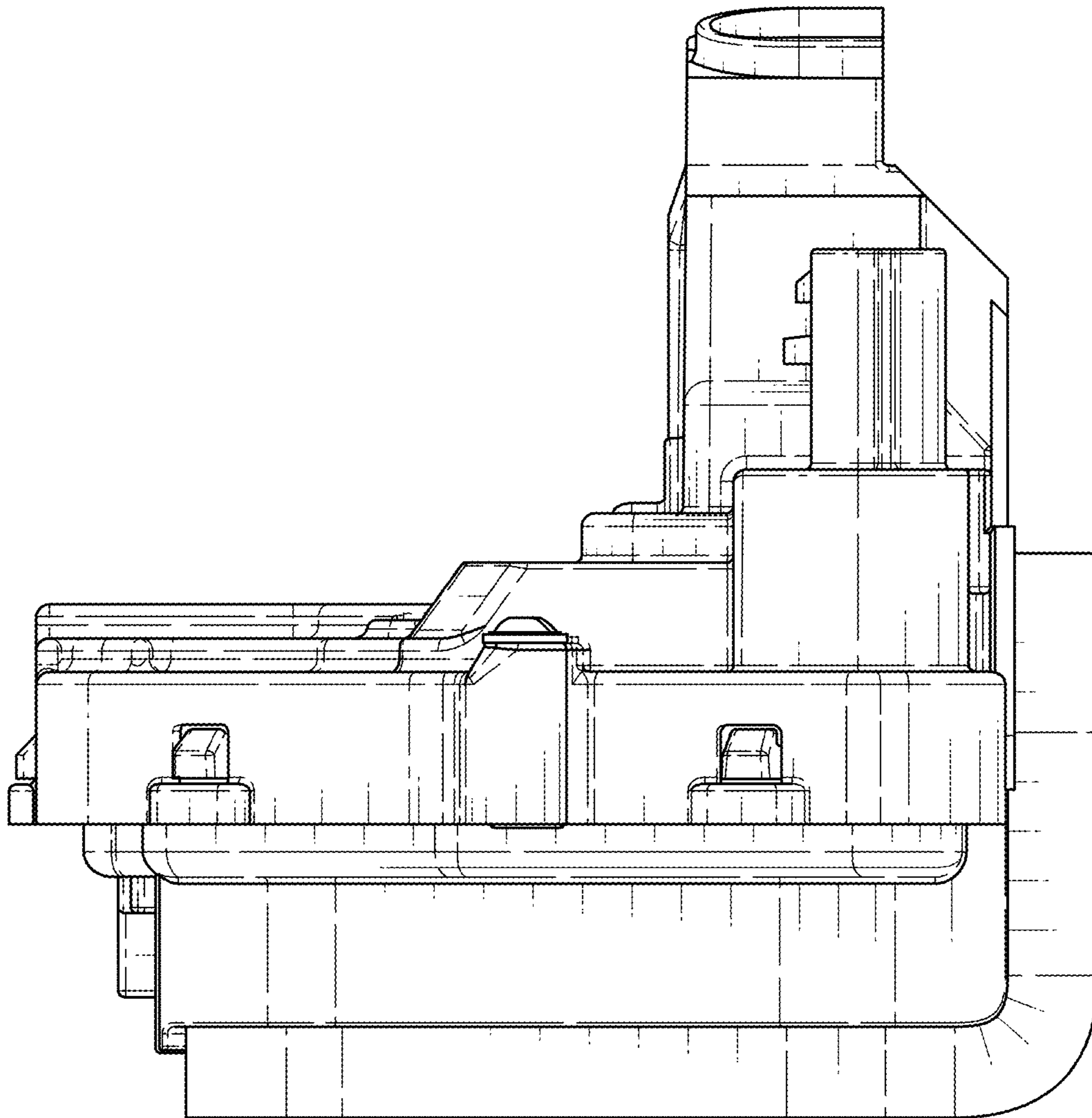


FIG. 6

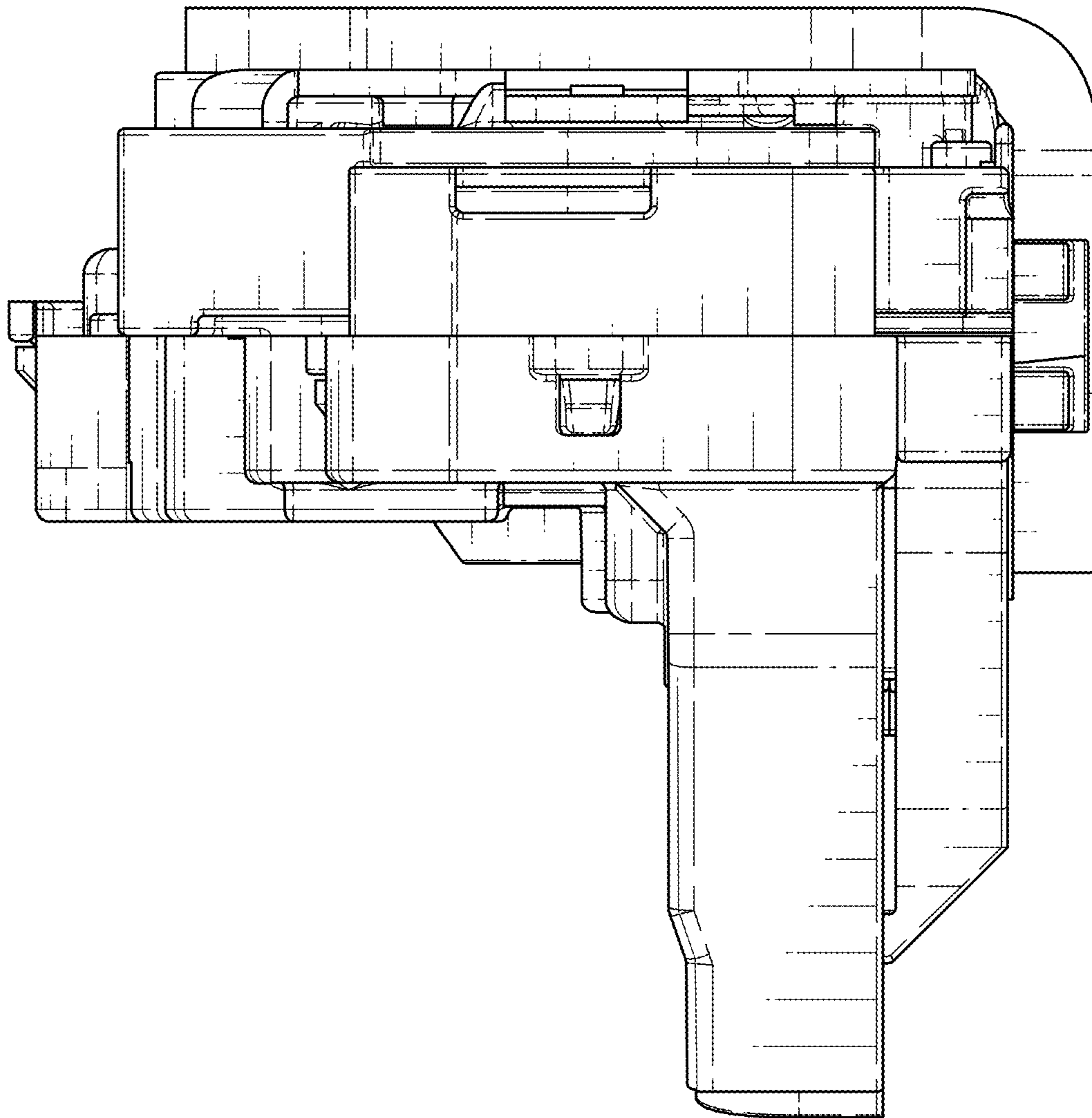


FIG. 7