



US00D978747S

(12) **United States Design Patent** (10) **Patent No.:** **US D978,747 S**
Akrapovic et al. (45) **Date of Patent:** **** Feb. 21, 2023**

(54) **EXHAUST PIPE**

(71) Applicant: **Igor Akrapovic**, Ljubljana (SI)

(72) Inventors: **Igor Akrapovic**, Ljubljana (SI); **Ermin Kosovel**, Zgornje Gorje (SI)

(**) Term: **15 Years**

(21) Appl. No.: **35/513,342**

(22) Filed: **Aug. 20, 2021**

(80) **Hague Agreement Data**

Int. Filing Date: **Aug. 20, 2021**

Int. Reg. No.: **DM/218064**

Int. Reg. Date: **Aug. 20, 2021**

Int. Reg. Pub. Date: **Jan. 7, 2022**

(30) **Foreign Application Priority Data**

Feb. 23, 2021 (EM) 008442354-0001

(51) **LOC (14) Cl.** **12-16**

(52) **U.S. Cl.**

USPC **D12/194**

(58) **Field of Classification Search**

USPC D12/194

CPC .. F01N 13/082; F01N 13/001; F01N 2260/20;

F01N 2260/00

See application file for complete search history.

(56) **References Cited**

U.S. PATENT DOCUMENTS

D804,381 S * 12/2017 Akrapovic D12/194

D804,383 S * 12/2017 Akrapovic D12/194

D833,936 S * 11/2018 Akrapovic D12/194

D922,922 S * 6/2021 Akrapovič D12/194

* cited by examiner

Primary Examiner — Michael A. Pratt

(74) *Attorney, Agent, or Firm* — Olson & Cepuritis, Ltd.

(57) **CLAIM**

The ornamental design for an exhaust pipe, as shown and described.

DESCRIPTION

1. Exhaust pipe

1.1 : Perspective

1.2 : Right

1.3 : Left

1.4 : Top

1.5 : Bottom

1.6 : Front

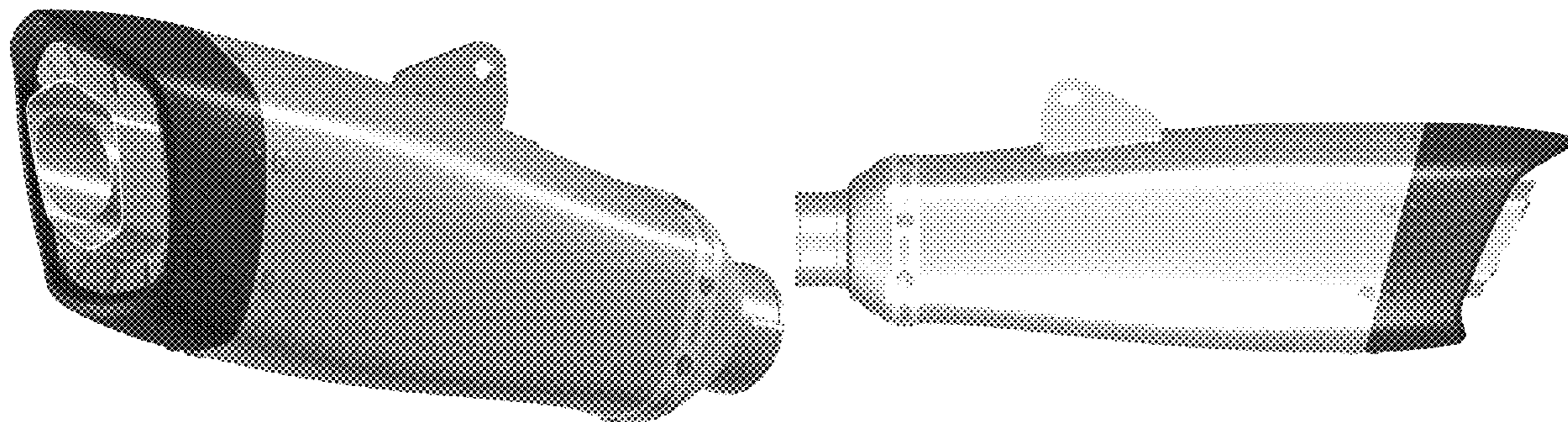
1.7 : Back

1.8 : Perspective

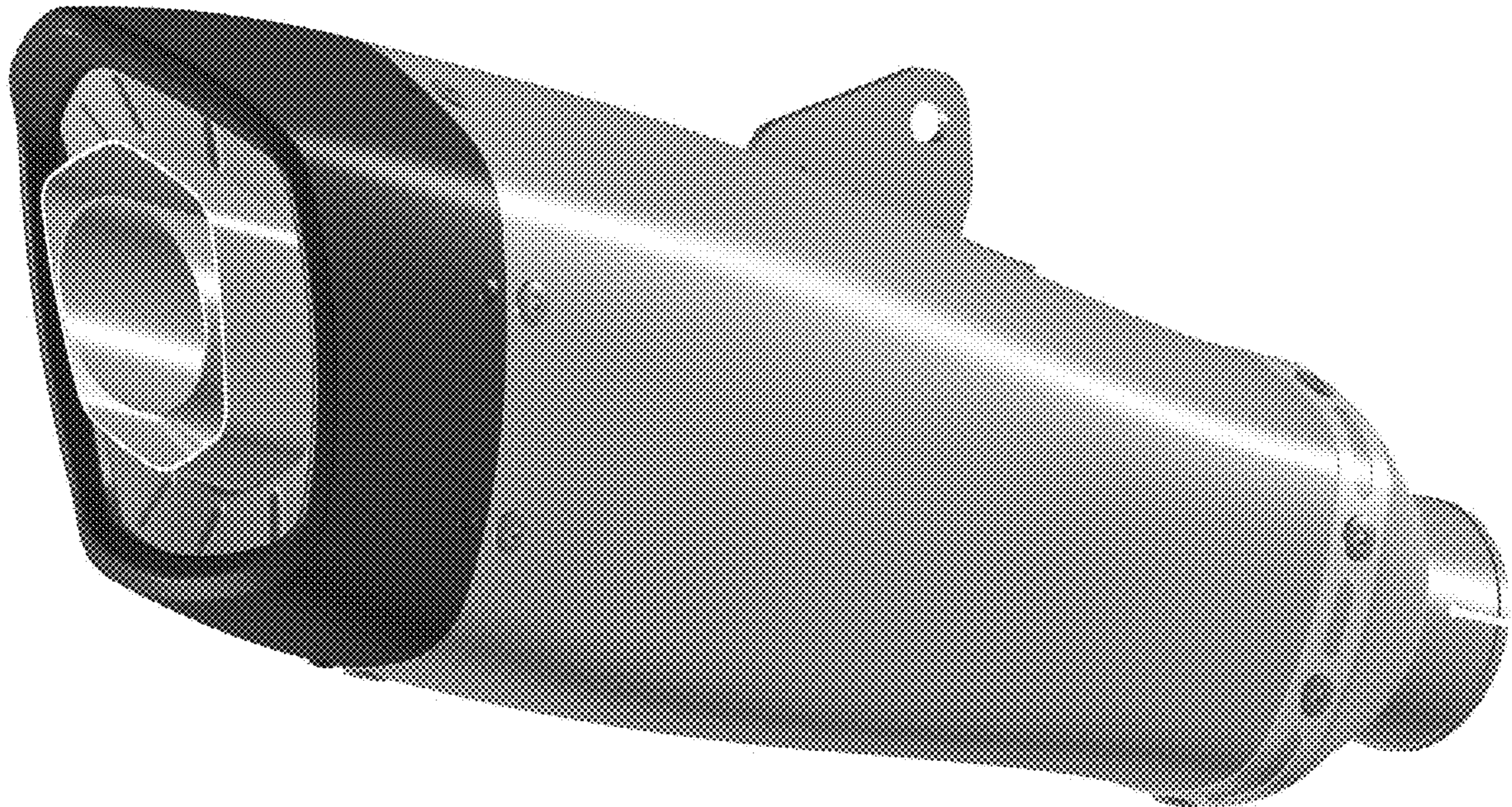
1.9 : Perspective

The reflections shown in reproductions 1.1.-1.9 are disclaimed.

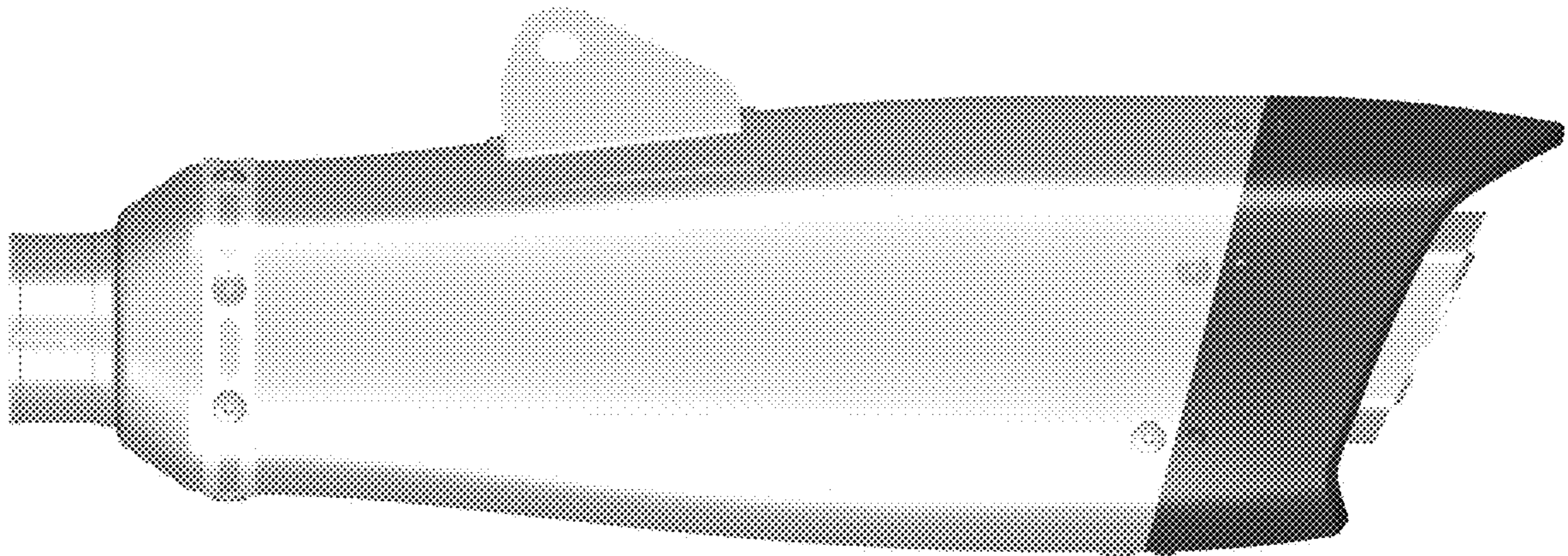
1 Claim, 9 Drawing Sheets



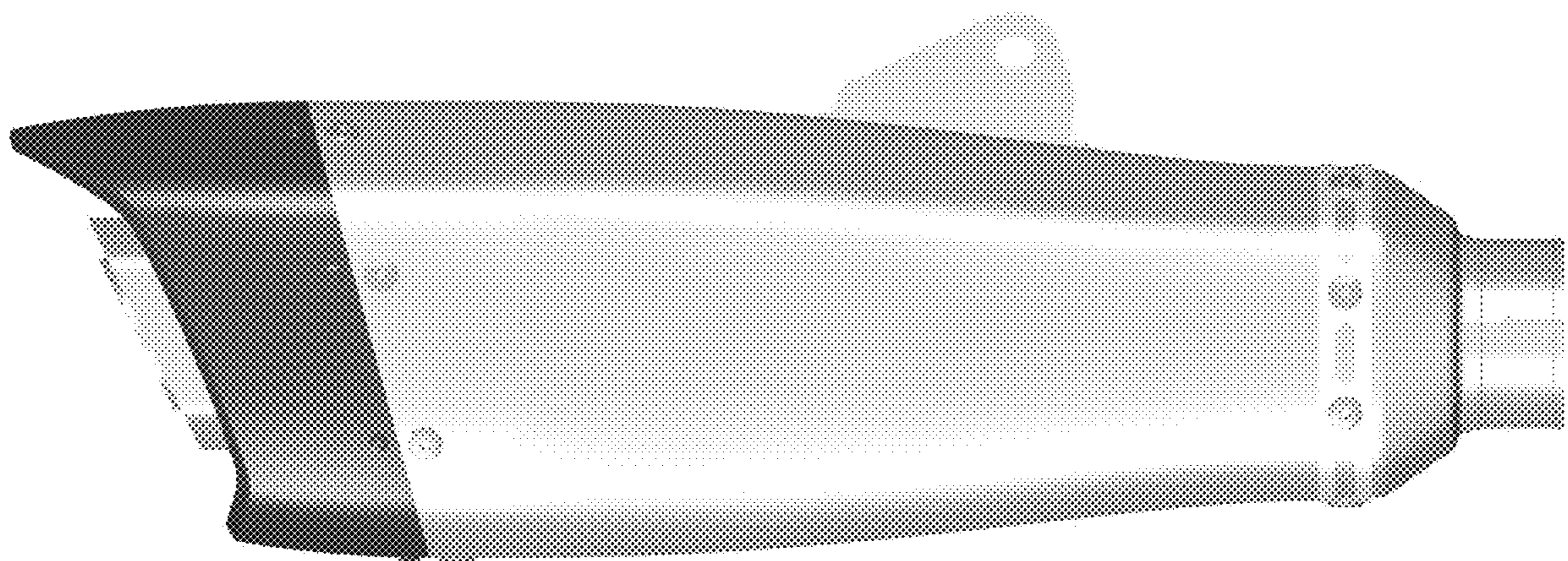
1.1



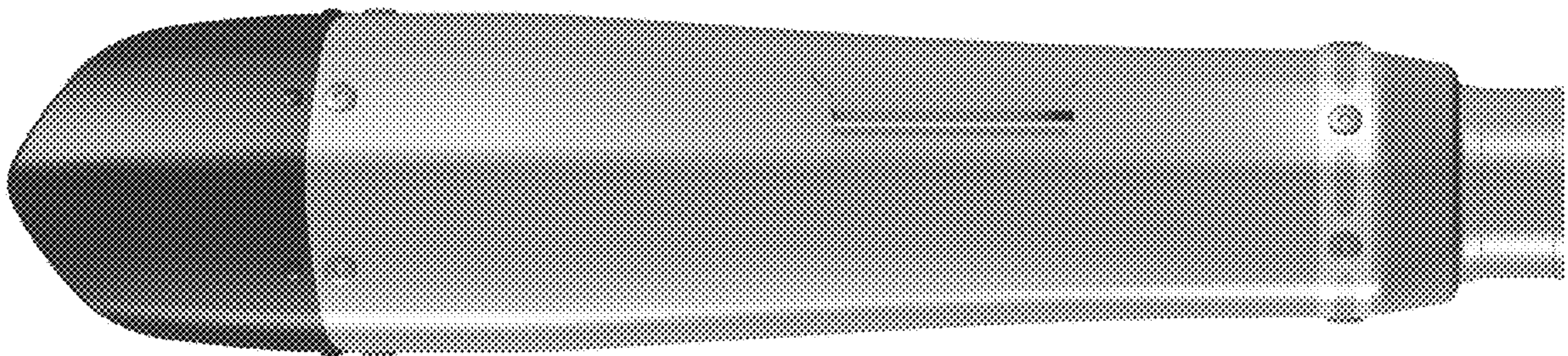
1.2



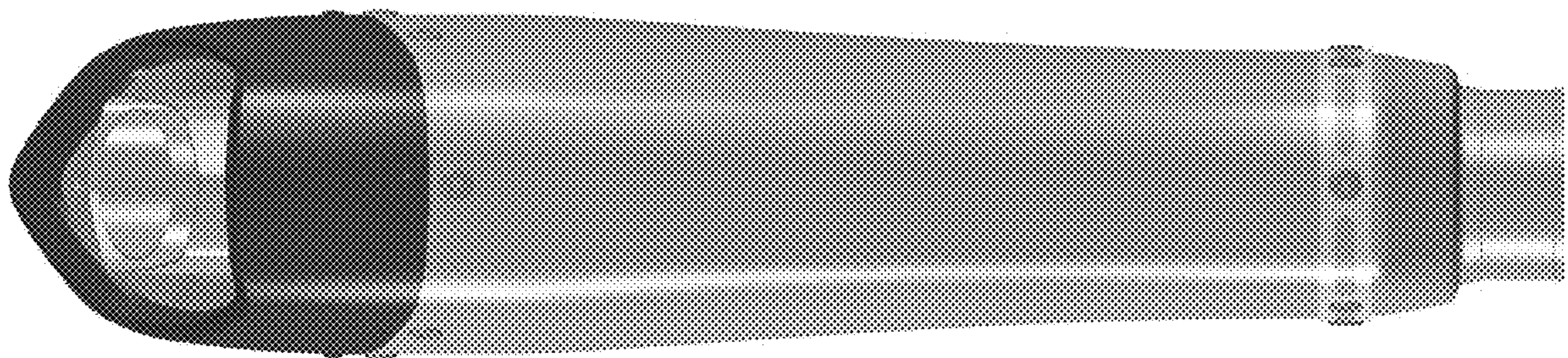
1.3



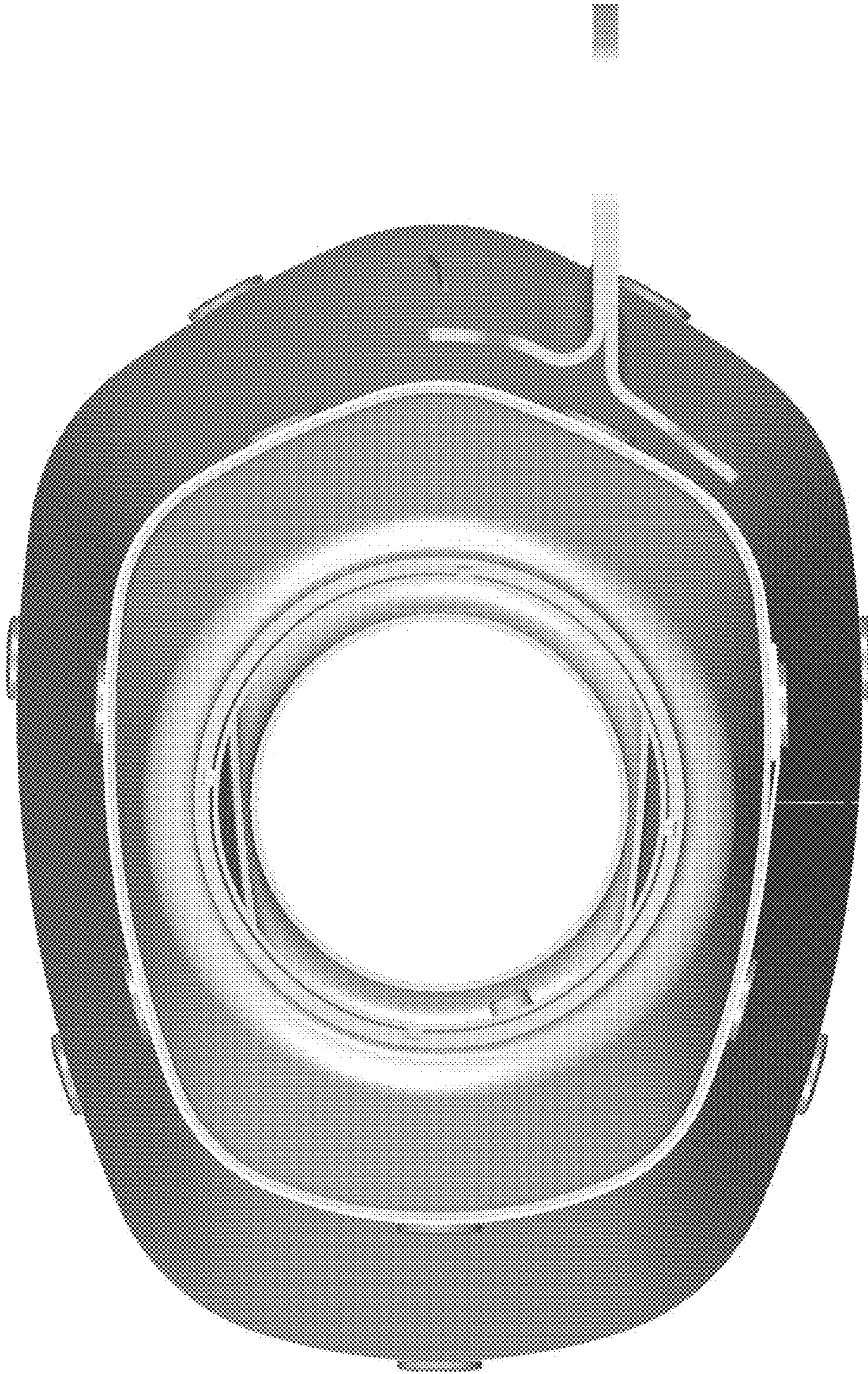
1.4



1.5



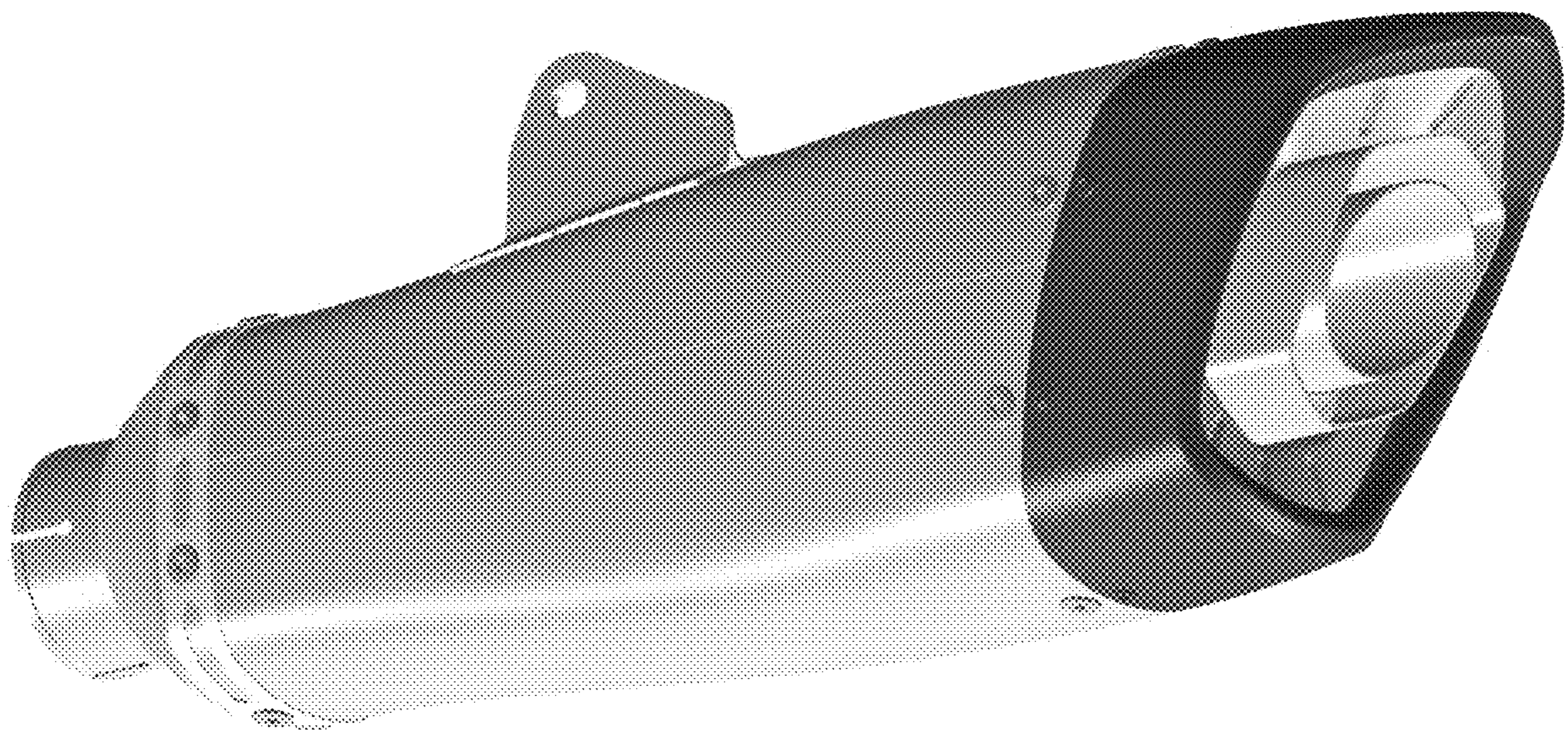
1.6



1.7



1.8



1.9

