



US00D978743S

(12) **United States Design Patent**
Chiang

(10) **Patent No.:** **US D978,743 S**

(45) **Date of Patent:** **** Feb. 21, 2023**

(54) **SIDE SPLITTER SET**

(71) Applicant: **Man Kit Chiang**, Dublin, CA (US)

(72) Inventor: **Man Kit Chiang**, Dublin, CA (US)

(**) Term: **15 Years**

(21) Appl. No.: **29/778,068**

(22) Filed: **Apr. 9, 2021**

(51) **LOC (14) Cl.** **12-16**

(52) **U.S. Cl.**
USPC **D12/190**

(58) **Field of Classification Search**

USPC D12/190, 192, 181, 196, 415, 400, 404,
D12/167, 169, 86, 171, 114, 203, 195;
D15/28, 30, 33

CPC B60K 37/02; B60K 37/04; B62D 25/14;
B60R 21/05; B60R 21/20; B60R 21/206

See application file for complete search history.

(56) **References Cited**

U.S. PATENT DOCUMENTS

D289,891 S *	5/1987	Bielby	D12/203
D629,722 S *	12/2010	Stahel, Jr.	D12/114
D637,127 S *	5/2011	Faghihzadeh	D12/190
D647,833 S *	11/2011	Matei	D12/190
D660,753 S *	5/2012	Faghihzadeh	D12/190
D668,596 S *	10/2012	Leahy	D12/190
D727,819 S *	4/2015	Hopkins	D12/196
D791,028 S *	7/2017	Sandys	D12/195
D811,301 S *	2/2018	Peat	D12/190

D847,711 S *	5/2019	Leong	D12/190
D899,990 S *	10/2020	Metros	D12/196
D902,815 S *	11/2020	Wheel	D12/196
D913,172 S *	3/2021	Zeng	D12/190
D942,911 S *	2/2022	Schell	D12/190

* cited by examiner

Primary Examiner — Susan E Krakower

Assistant Examiner — Jerry Shiuian-Hua Hsu

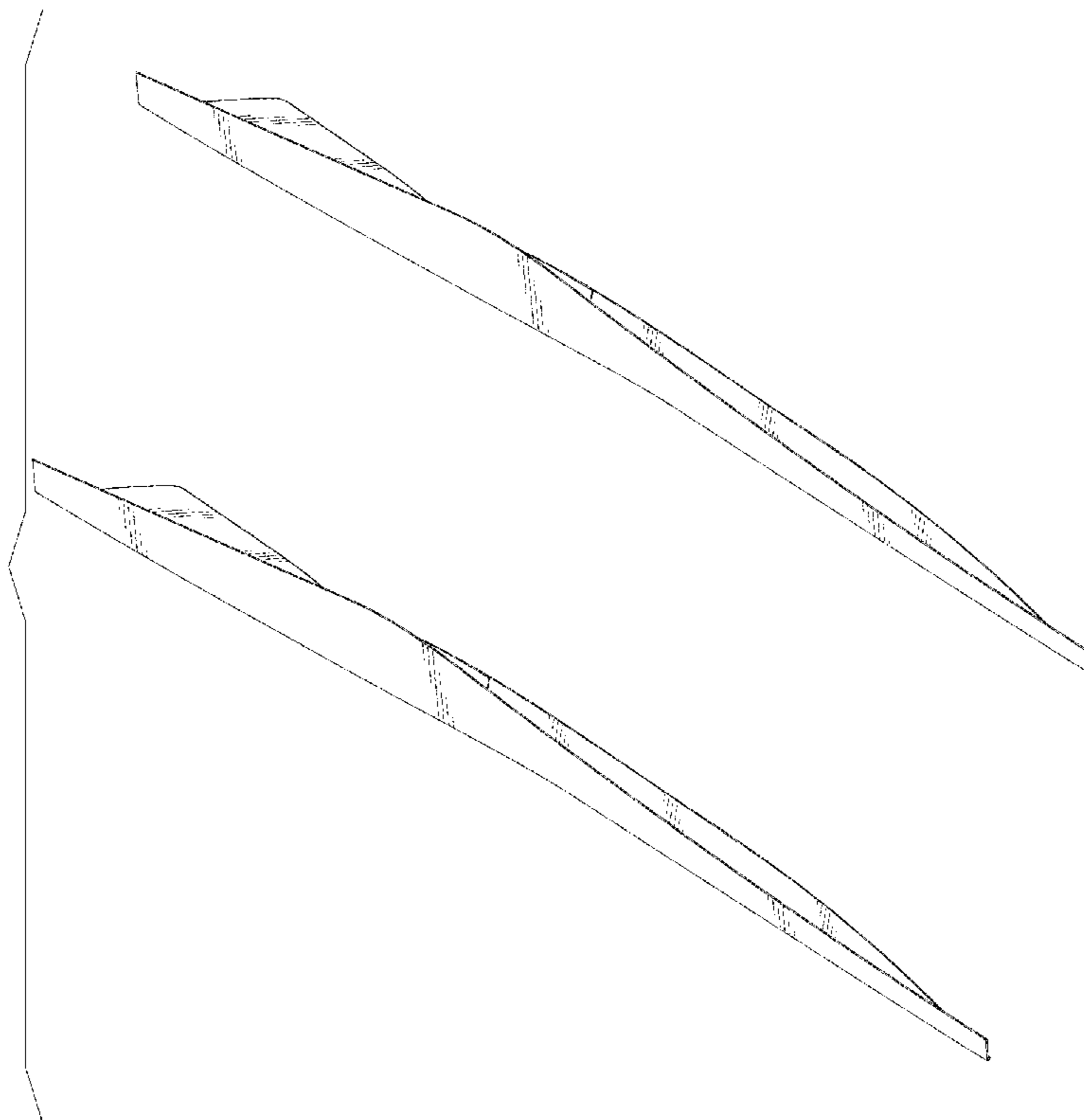
(57) **CLAIM**

The ornamental design for a side splitter set, as shown and described.

DESCRIPTION

FIG. 1 is a top front perspective view of a side splitter set showing my new design;
 FIG. 2 is a bottom front perspective view thereof;
 FIG. 3 is a top rear perspective view thereof;
 FIG. 4 is a bottom rear perspective view thereof;
 FIG. 5 is a front elevational view thereof;
 FIG. 6 is a rear elevational view thereof;
 FIG. 7 is a top plan view thereof;
 FIG. 8 is a bottom plan view thereof;
 FIG. 9 is a right elevational view thereof, enlarged for ease of illustration;
 FIG. 10 is a left elevational view thereof, enlarged for ease of illustration;
 FIG. 11 is an exploded top front perspective view thereof;
 FIG. 12 is an exploded bottom front perspective view thereof;
 FIG. 13 is an exploded top rear perspective view thereof;
 and,
 FIG. 14 is an exploded bottom rear perspective view thereof.

1 Claim, 14 Drawing Sheets



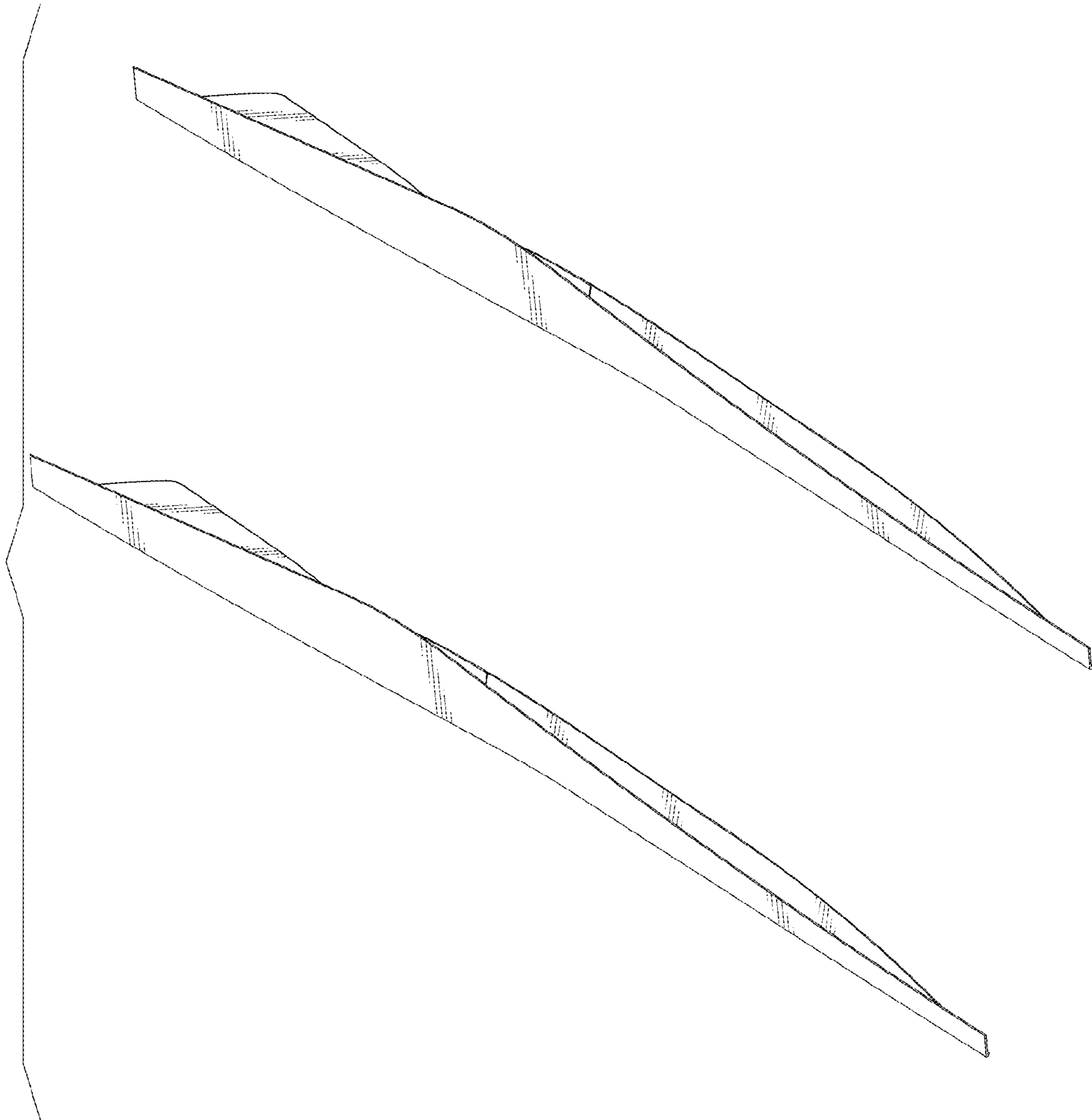


FIG. 1

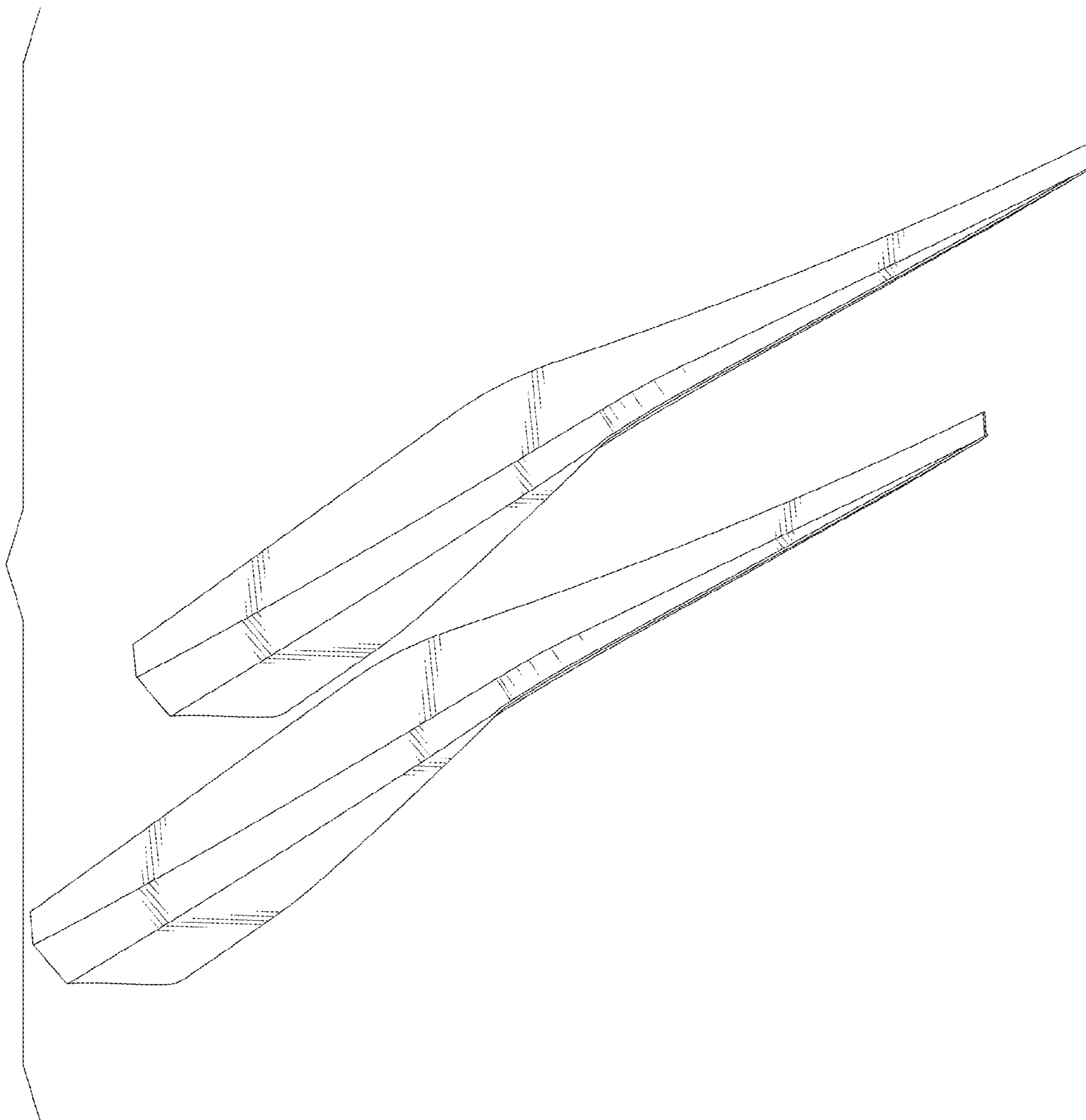


FIG. 2

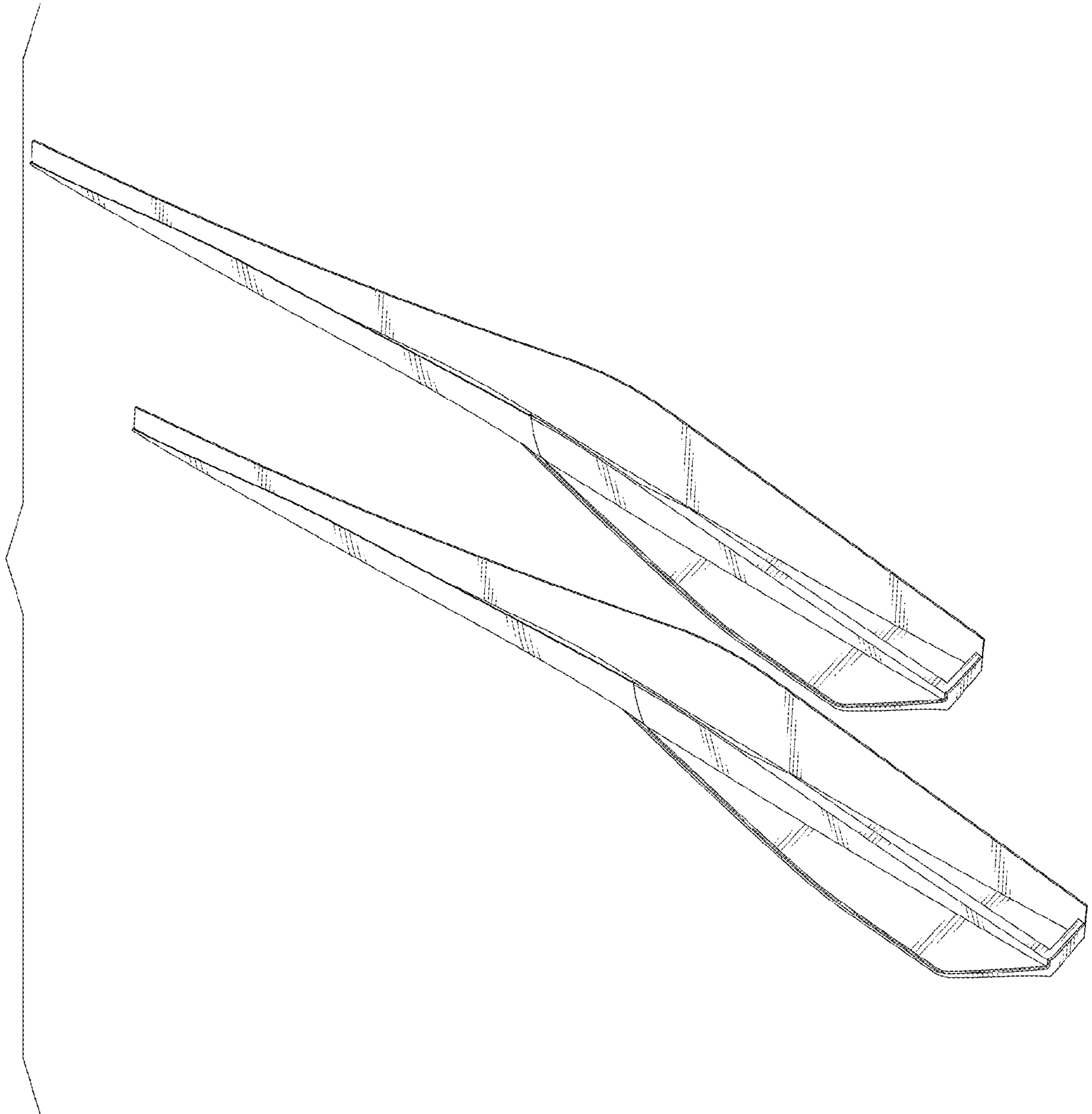


FIG. 3

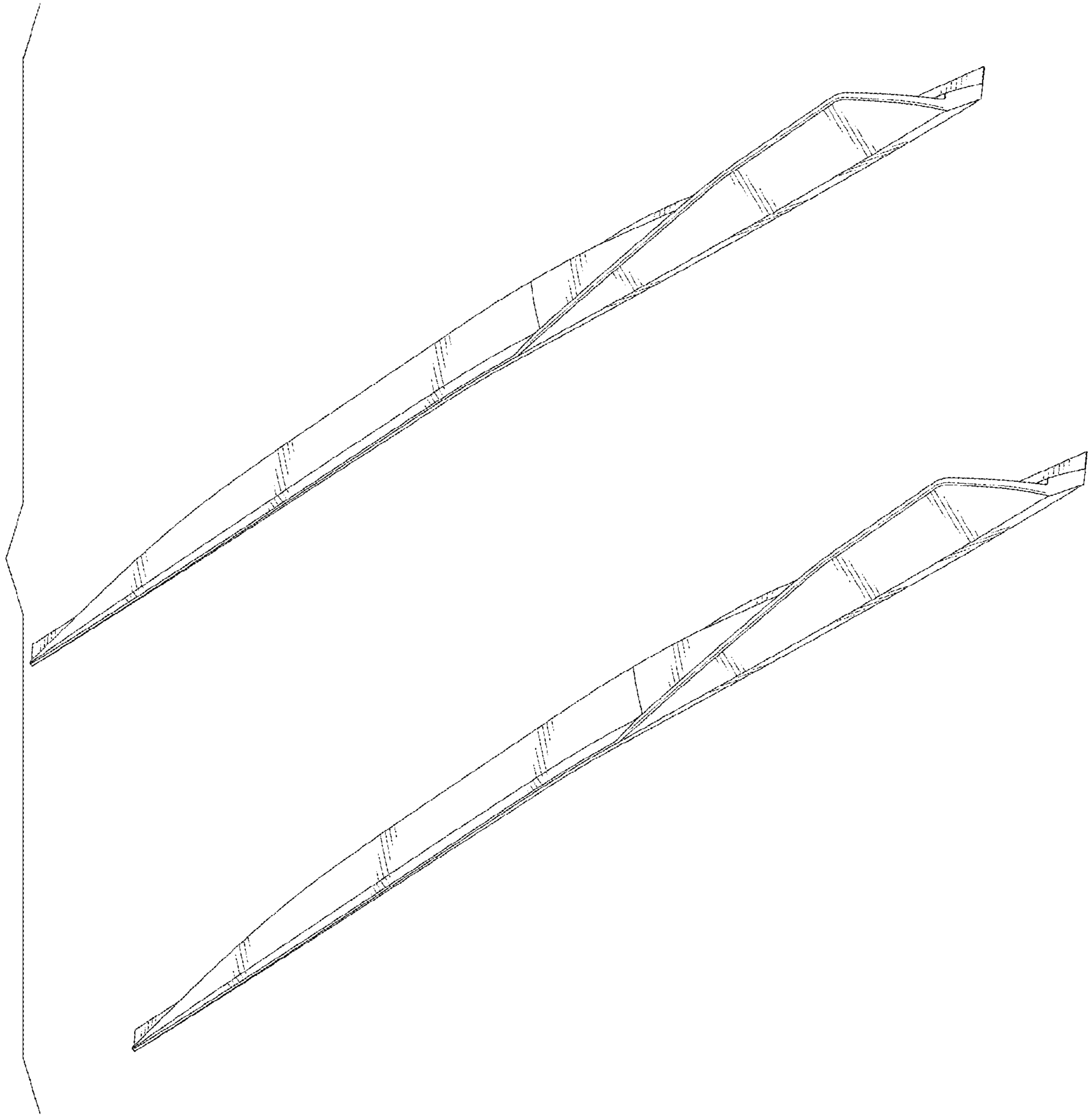


FIG. 4

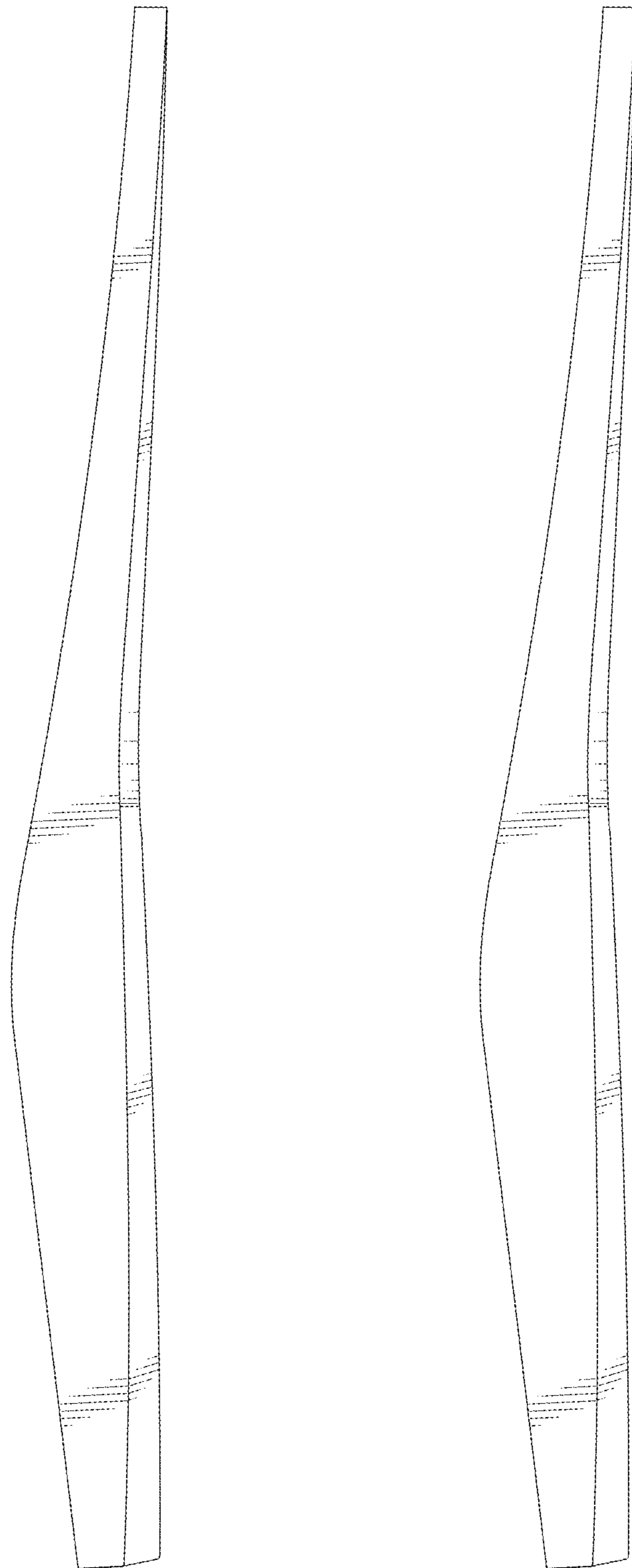


FIG. 5



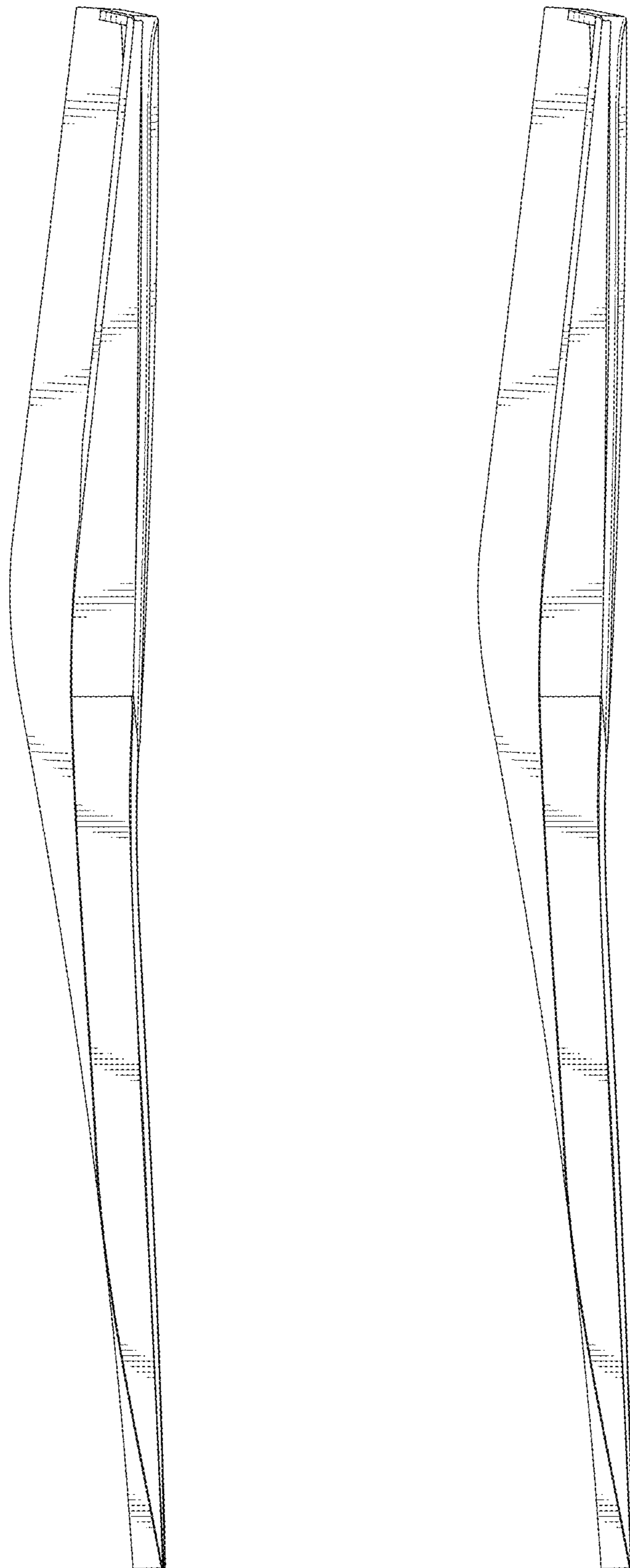


FIG. 6

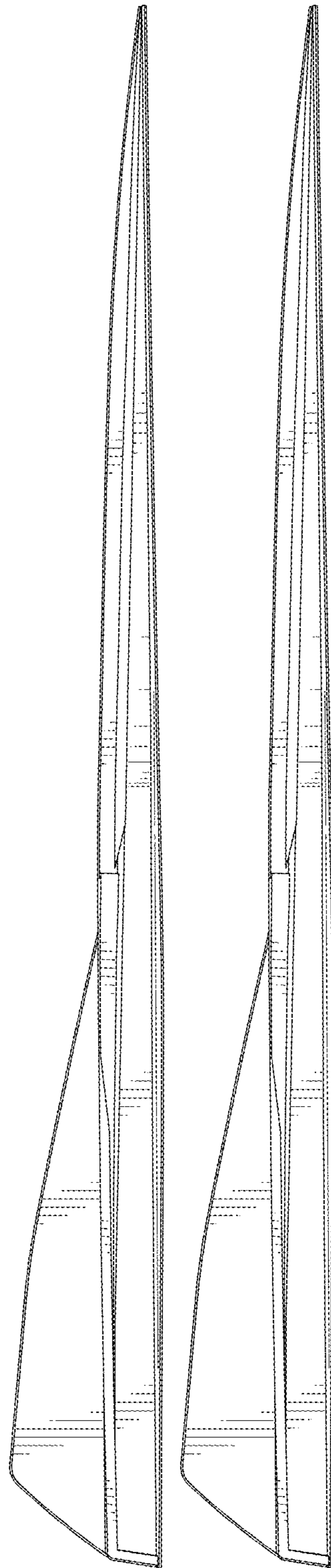


FIG. 7



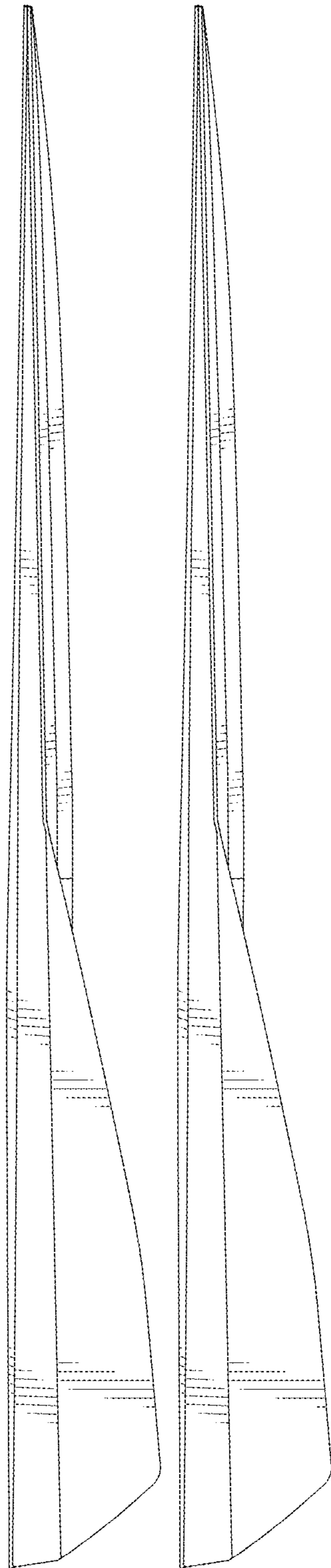


FIG. 8



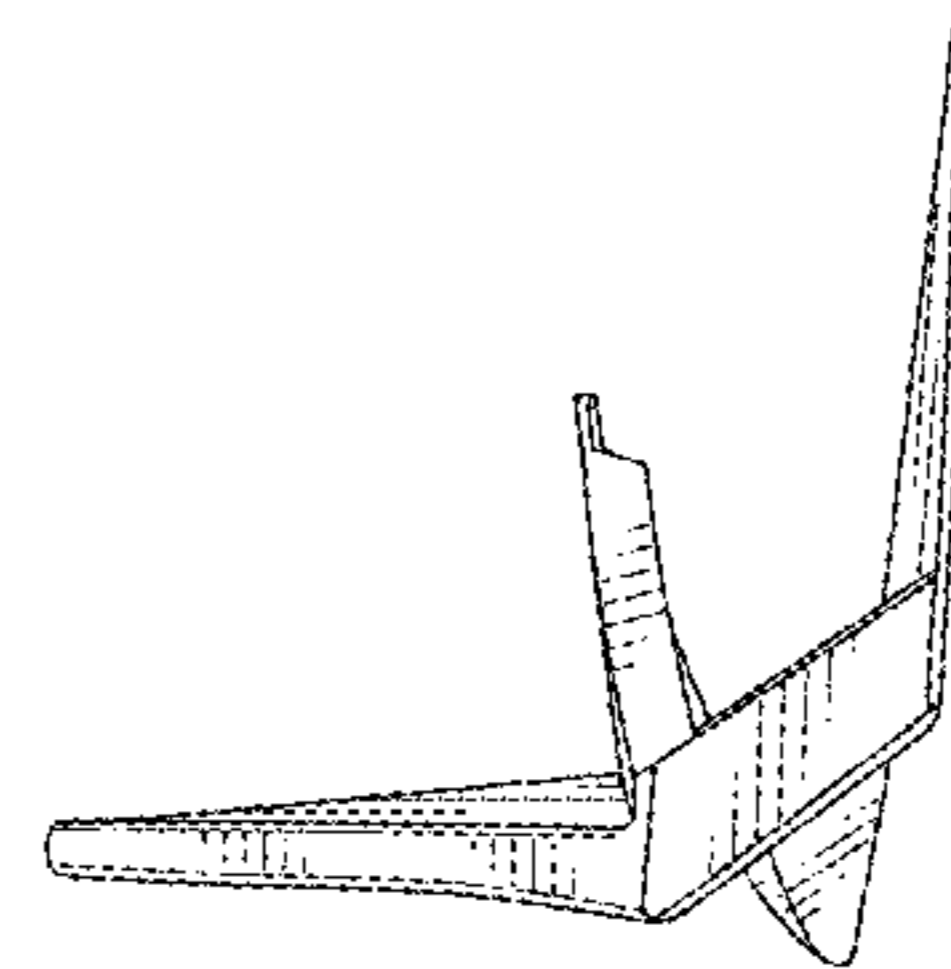
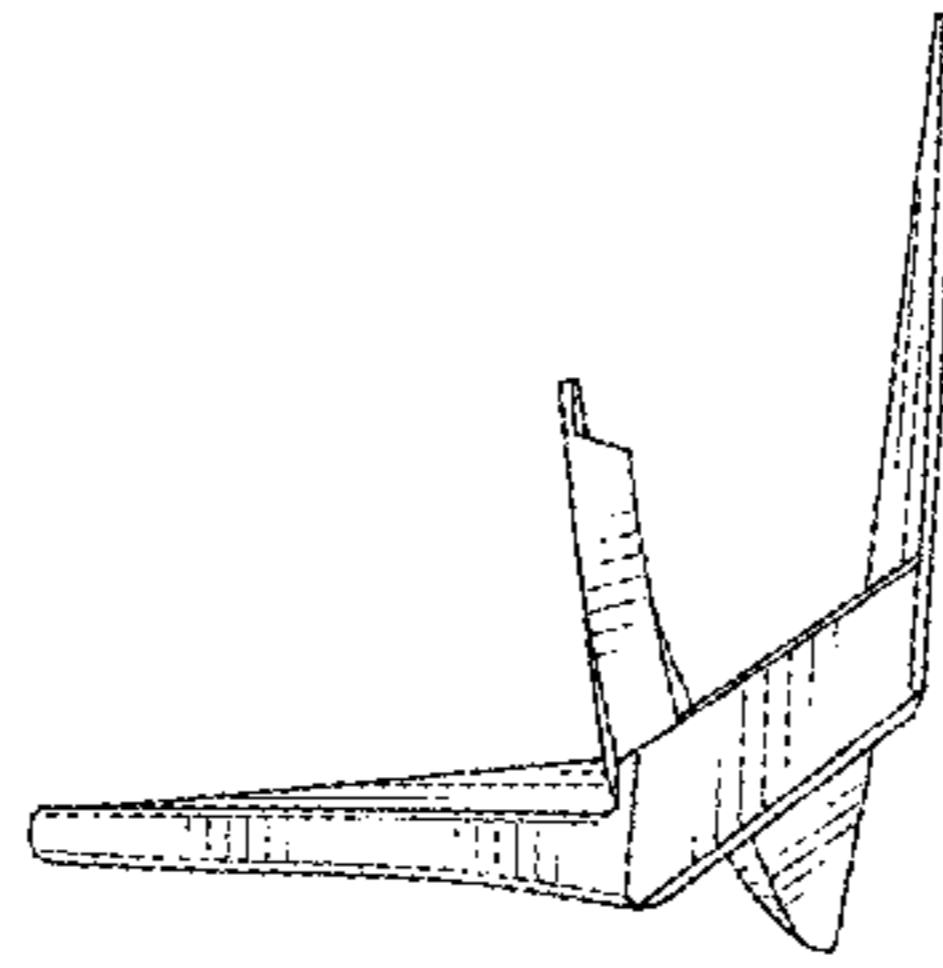


FIG. 9



FIG. 10

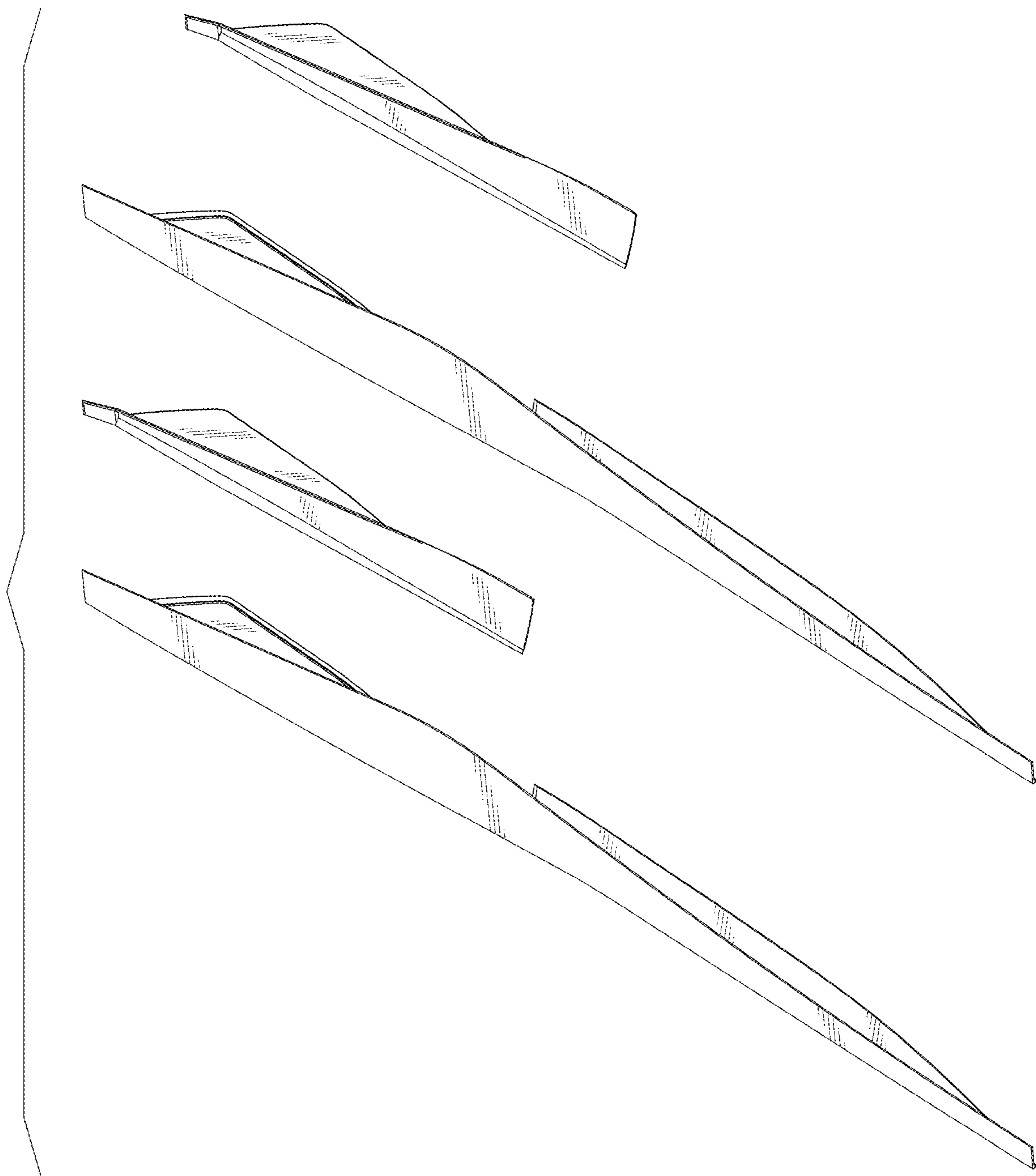


FIG. 11

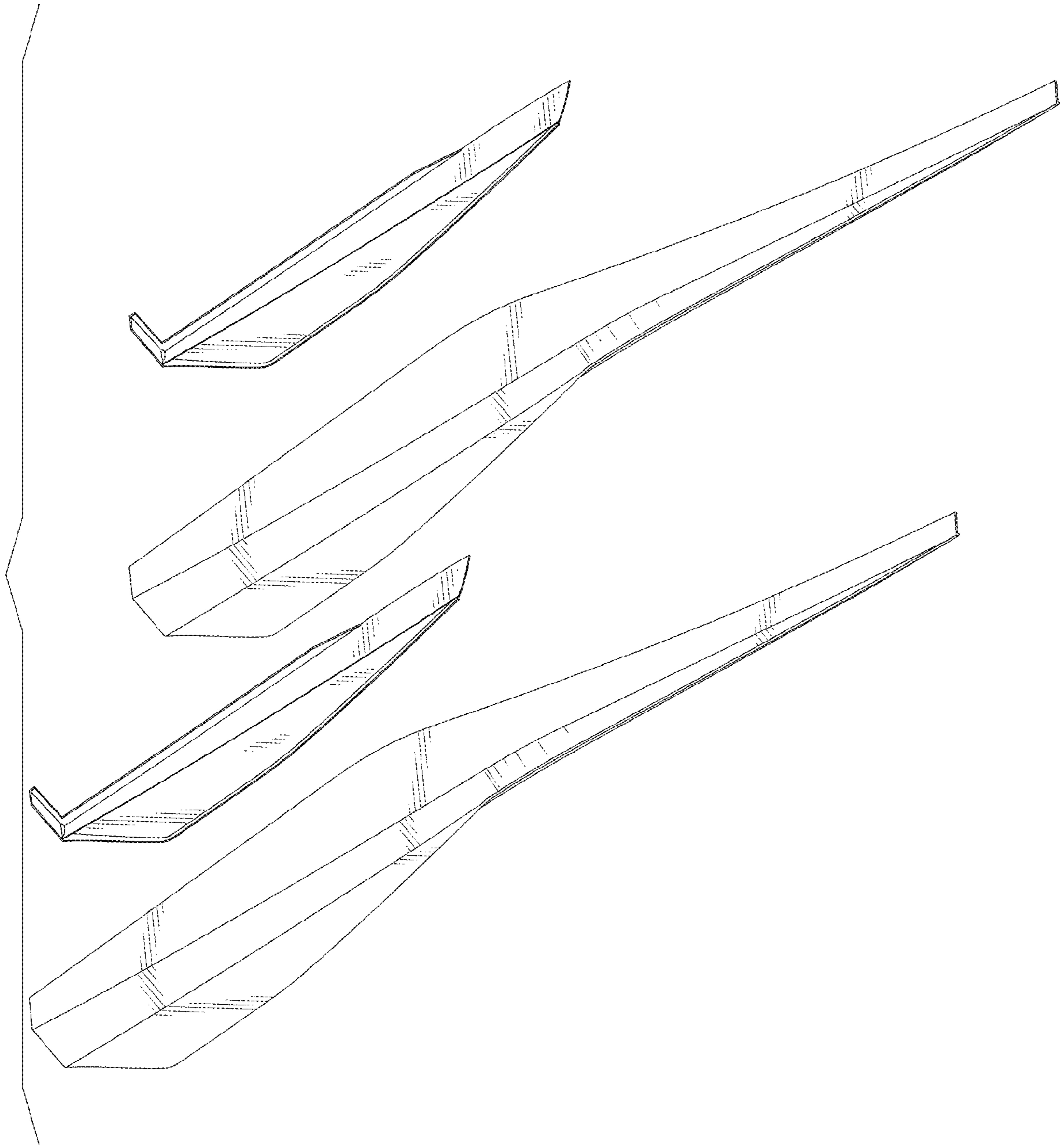


FIG. 12

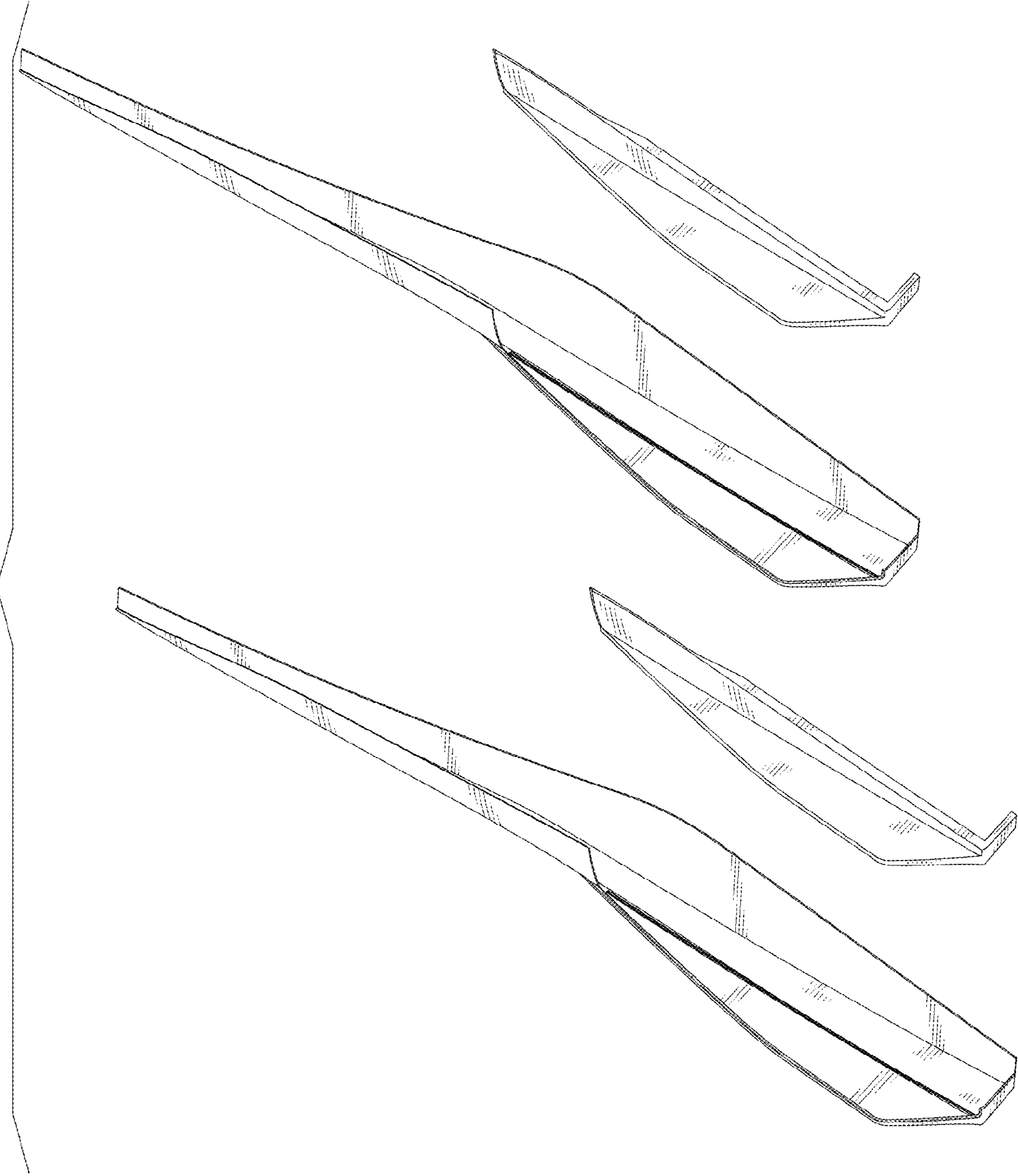


FIG. 13

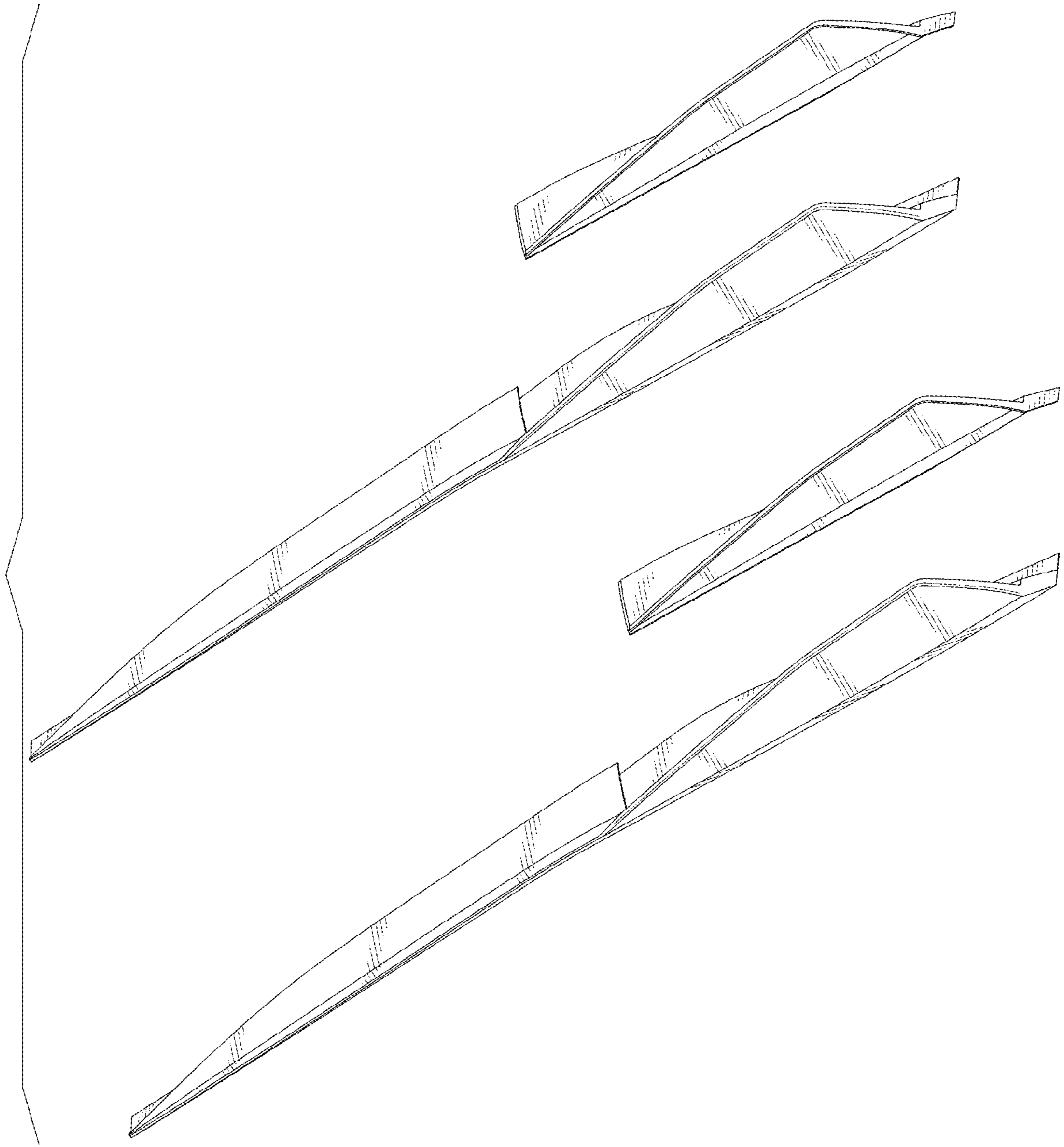


FIG. 14