



US00D978741S

(12) **United States Design Patent**  
**Taverna**

(10) **Patent No.:** **US D978,741 S**

(45) **Date of Patent:** **\*\* Feb. 21, 2023**

(54) **INSERT FOR REAR DIFFUSER PANEL OF AN AUTOMOBILE**

(71) Applicant: **Advanced Composite Specialities, Inc., Montreal (CA)**

(72) Inventor: **Joseph Taverna, Montreal (CA)**

(73) Assignee: **Advanced Composite Specialities, Inc., Montreal (CA)**

(\*\*) Term: **15 Years**

(21) Appl. No.: **29/781,705**

(22) Filed: **Apr. 30, 2021**

(51) **LOC (14) Cl.** ..... **12-16**

(52) **U.S. Cl.**  
USPC ..... **D12/169**

(58) **Field of Classification Search**  
USPC ..... D12/86, 90, 91, 92, 163, 164, 167, 169,  
D12/171, 172, 181, 196, 216  
CPC ..... B60R 19/02; B60R 19/04; B60R 19/18;  
B60R 19/24; B60R 19/56  
See application file for complete search history.

(56) **References Cited**

**U.S. PATENT DOCUMENTS**

D516,975 S *	3/2006	Baum	.....	D12/169
D748,541 S *	2/2016	Jamieson	.....	D12/169
D847,049 S *	4/2019	Munsell	.....	D12/169
D868,647 S *	12/2019	Buck	.....	D12/196
D882,469 S *	4/2020	Lu	.....	D12/196
D883,884 S *	5/2020	Watanuki	.....	D12/196
D900,688 S *	11/2020	von Holzhausen	.....	D12/181
D908,571 S *	1/2021	Anscheidt	.....	D12/196

D911,240 S *	2/2021	Manzoni	.....	D12/196
D920,869 S *	6/2021	DiCanzio	.....	D12/190
D932,969 S *	10/2021	Anscheidt	.....	D12/196
D952,529 S *	5/2022	Zheng	.....	D12/169
D958,030 S *	7/2022	Akrapovič	.....	D12/169

**OTHER PUBLICATIONS**

“2020-2021 Corvette C8 Carbon Fiber Rear Diffuser Fins” Anderson Composites, © 2021, retrieved on Apr. 29, 2021 from <https://andersoncomposites.com/products/2020-2021-corvette-c8-carbon-fiber-rear-diffuser-fins>.

\* cited by examiner

*Primary Examiner* — Bao-Yen T Nguyen

*Assistant Examiner* — Jerry Shiuan-Hua Hsu

(74) *Attorney, Agent, or Firm* — Caesar Rivise, PC

(57) **CLAIM**

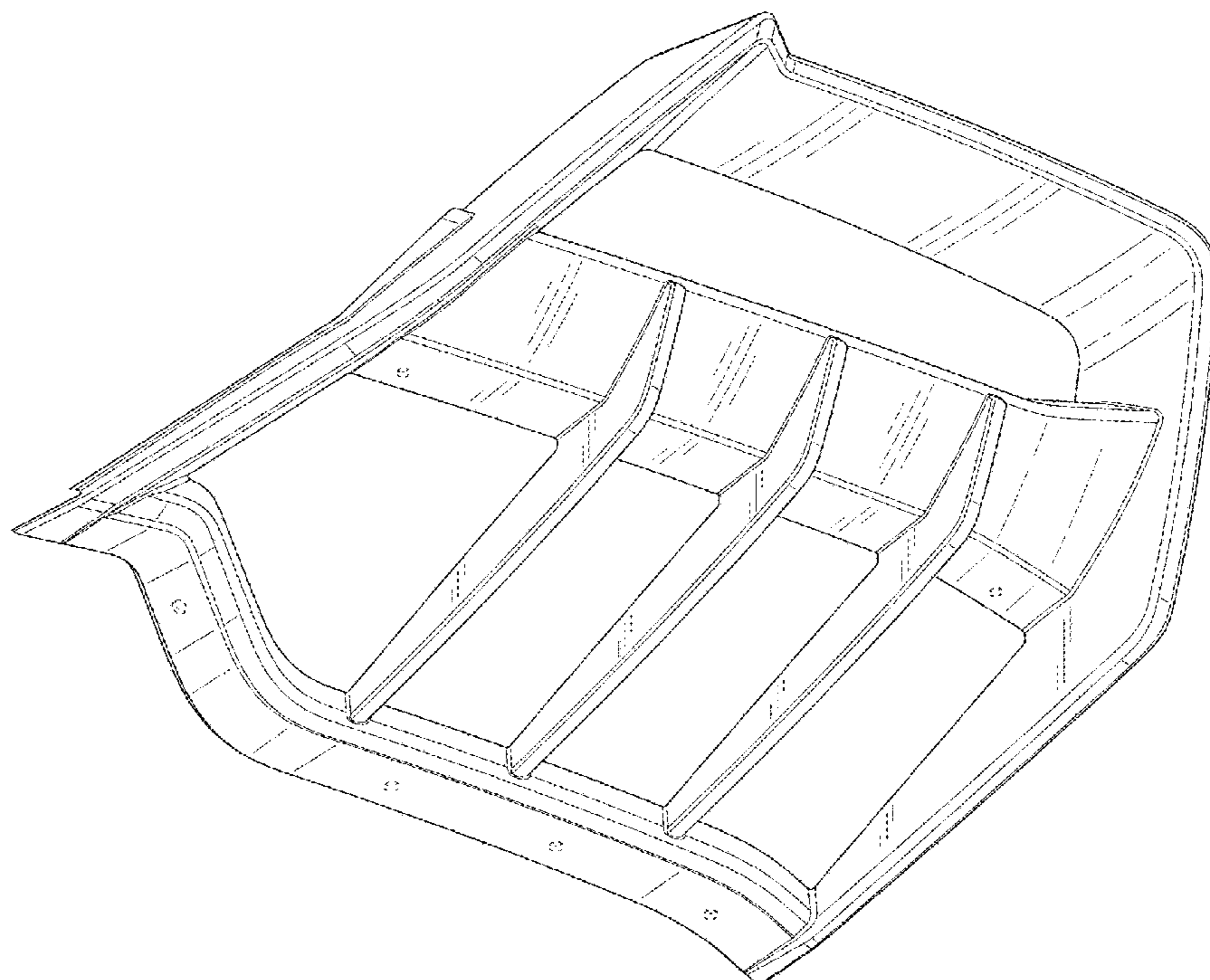
The ornamental design for an insert for rear diffuser panel of an automobile, as shown and described.

**DESCRIPTION**

FIG. 1 is rear bottom isometric view of an insert for rear diffuser panel of an automobile showing my new design; FIG. 2 is a front elevation view thereof; FIG. 3 is a back elevation view thereof; FIG. 4 is a right side elevation view thereof; FIG. 5 is a left side elevation view thereof; FIG. 6 is a top plan view thereof; and, FIG. 7 is a bottom plan view thereof.

The broken lines depict portions of the insert for rear diffuser panel that form no part of the claimed design.

**1 Claim, 7 Drawing Sheets**



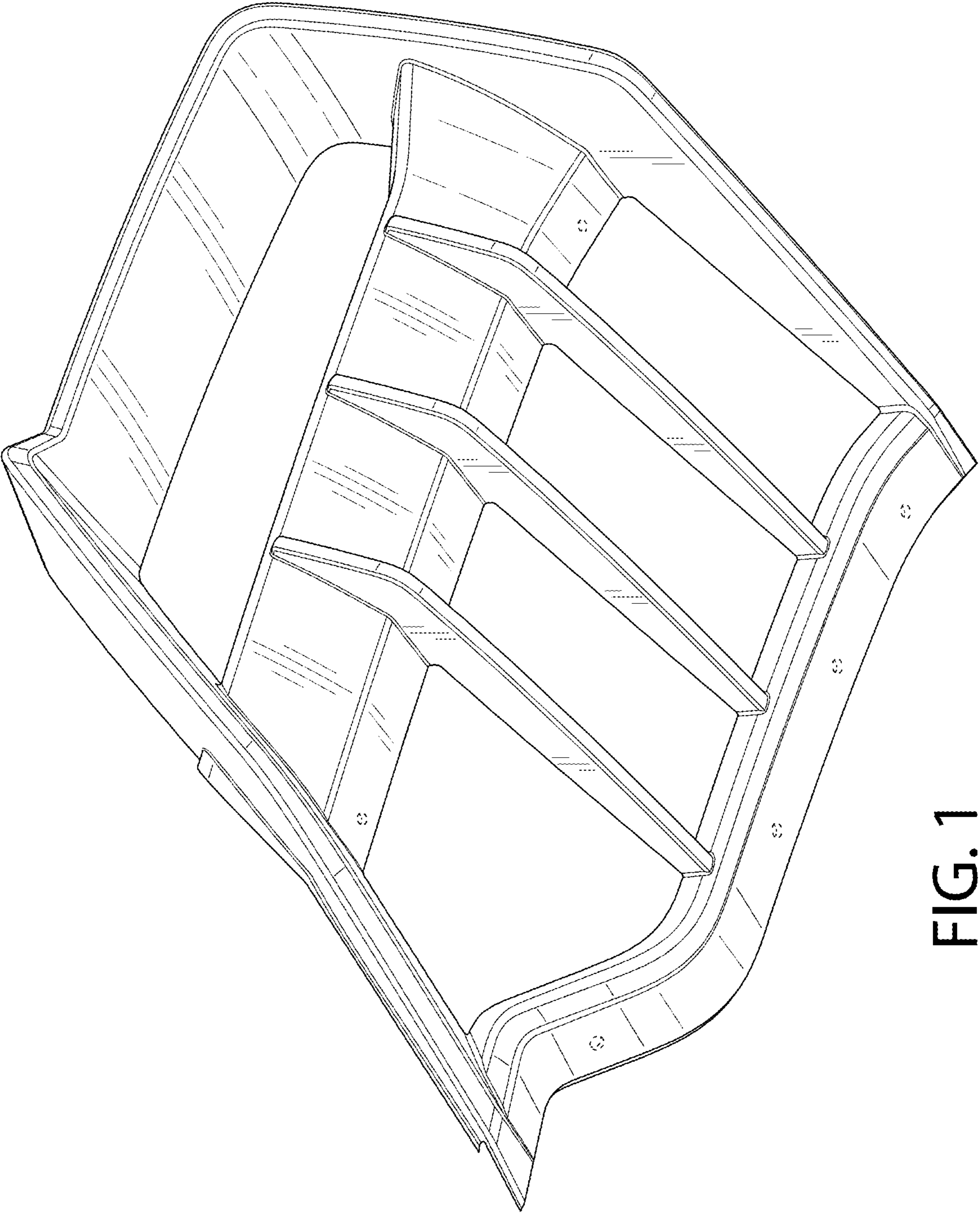


FIG. 1

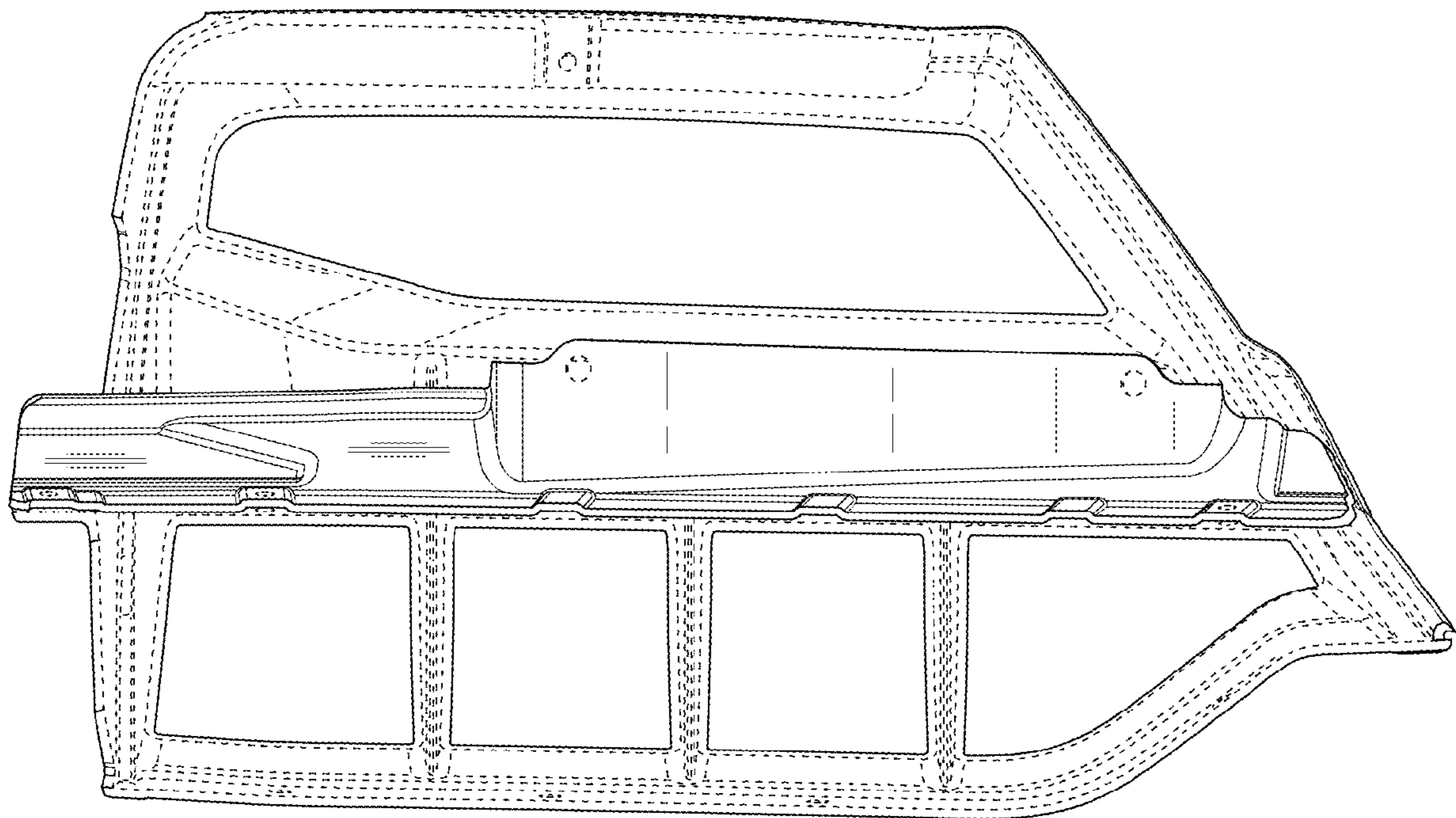


FIG. 2



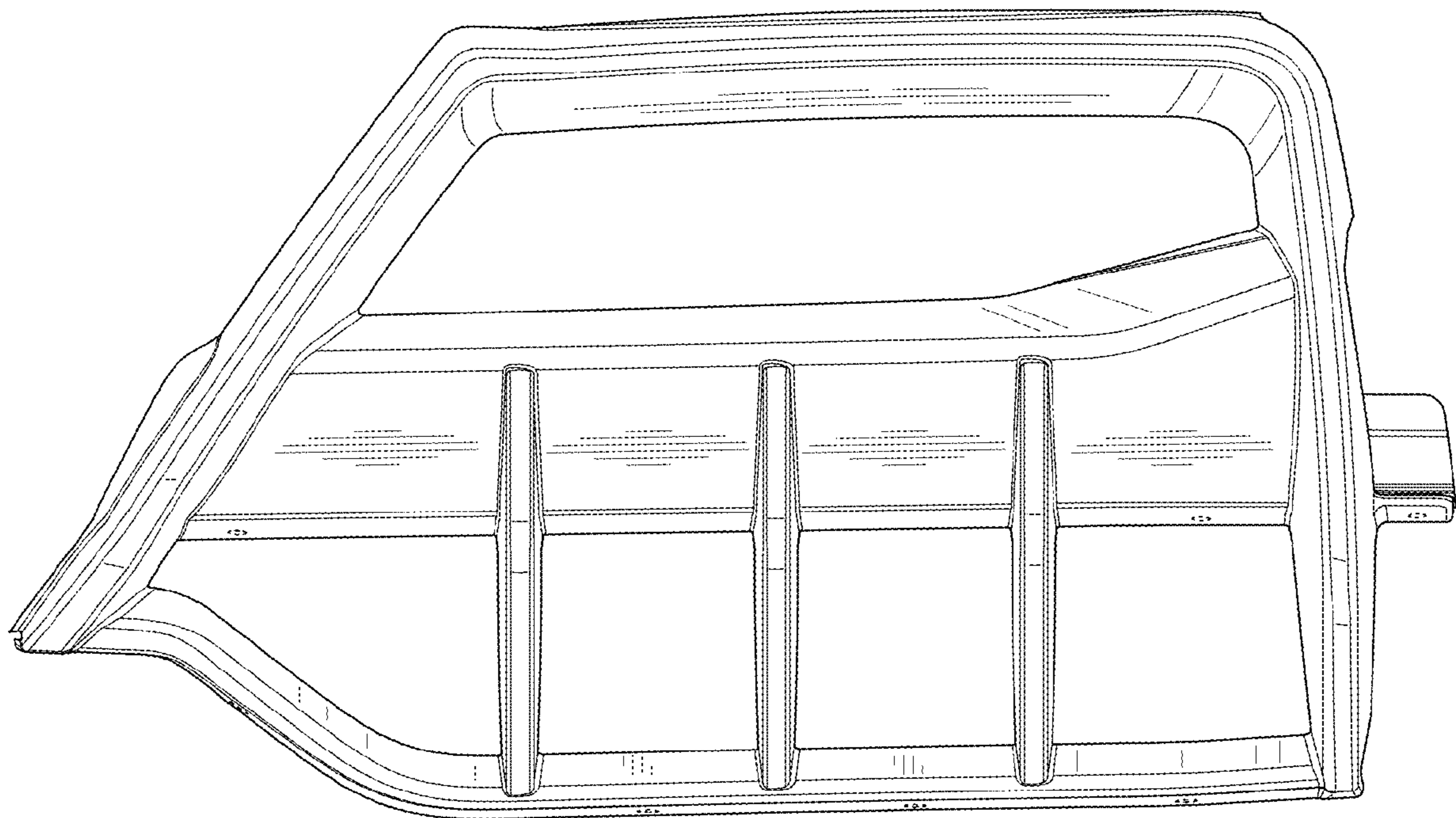


FIG. 3

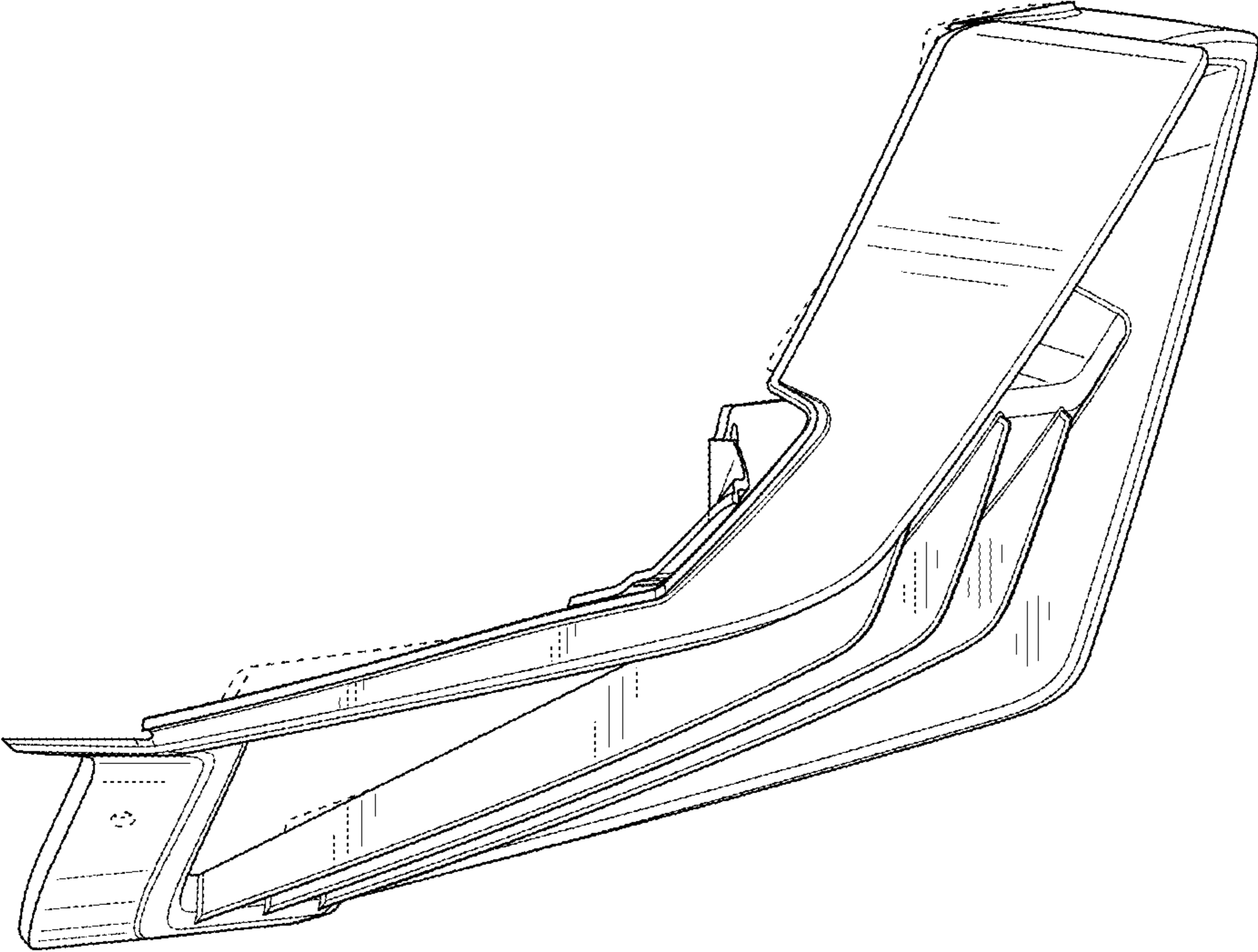


FIG. 4

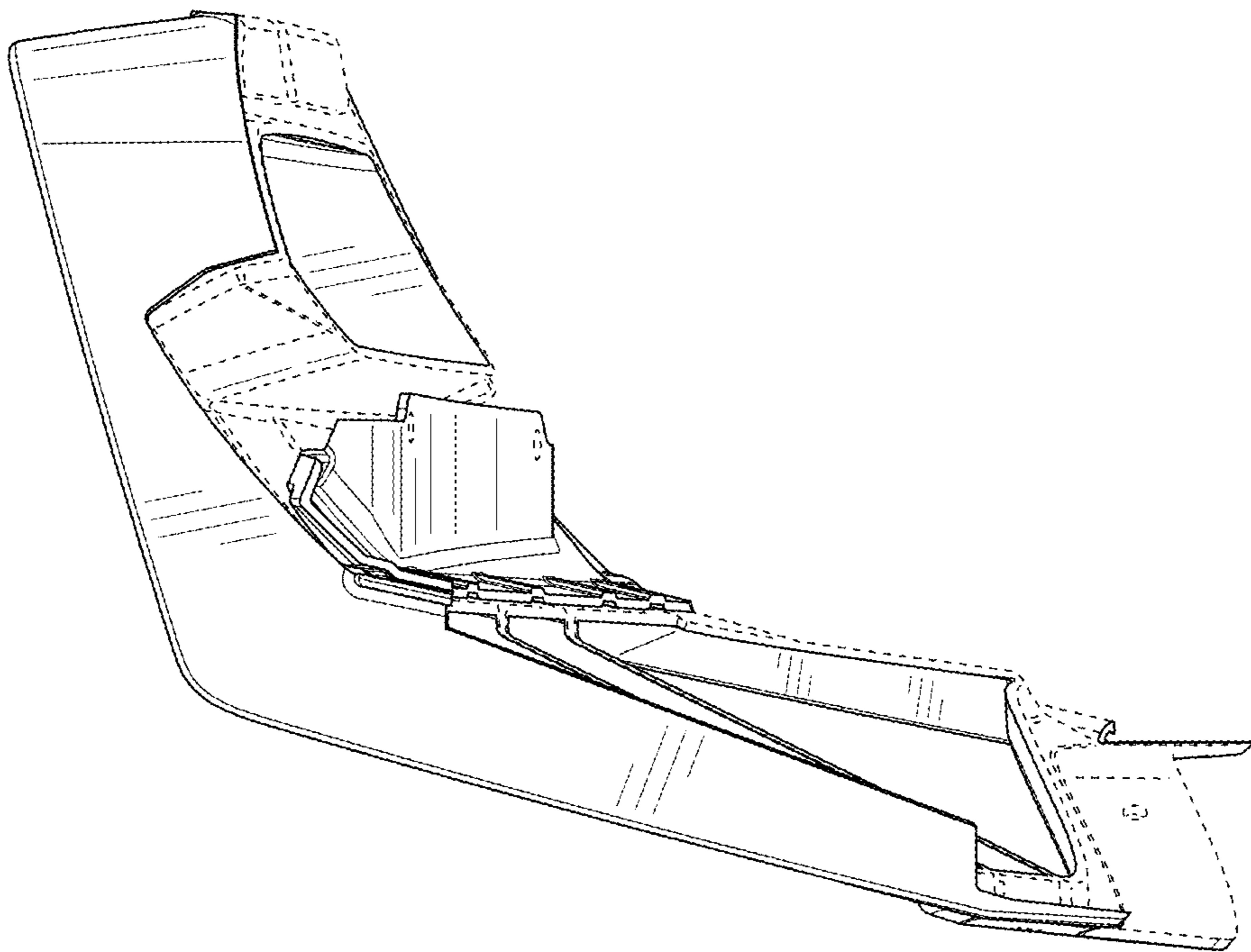


FIG. 5

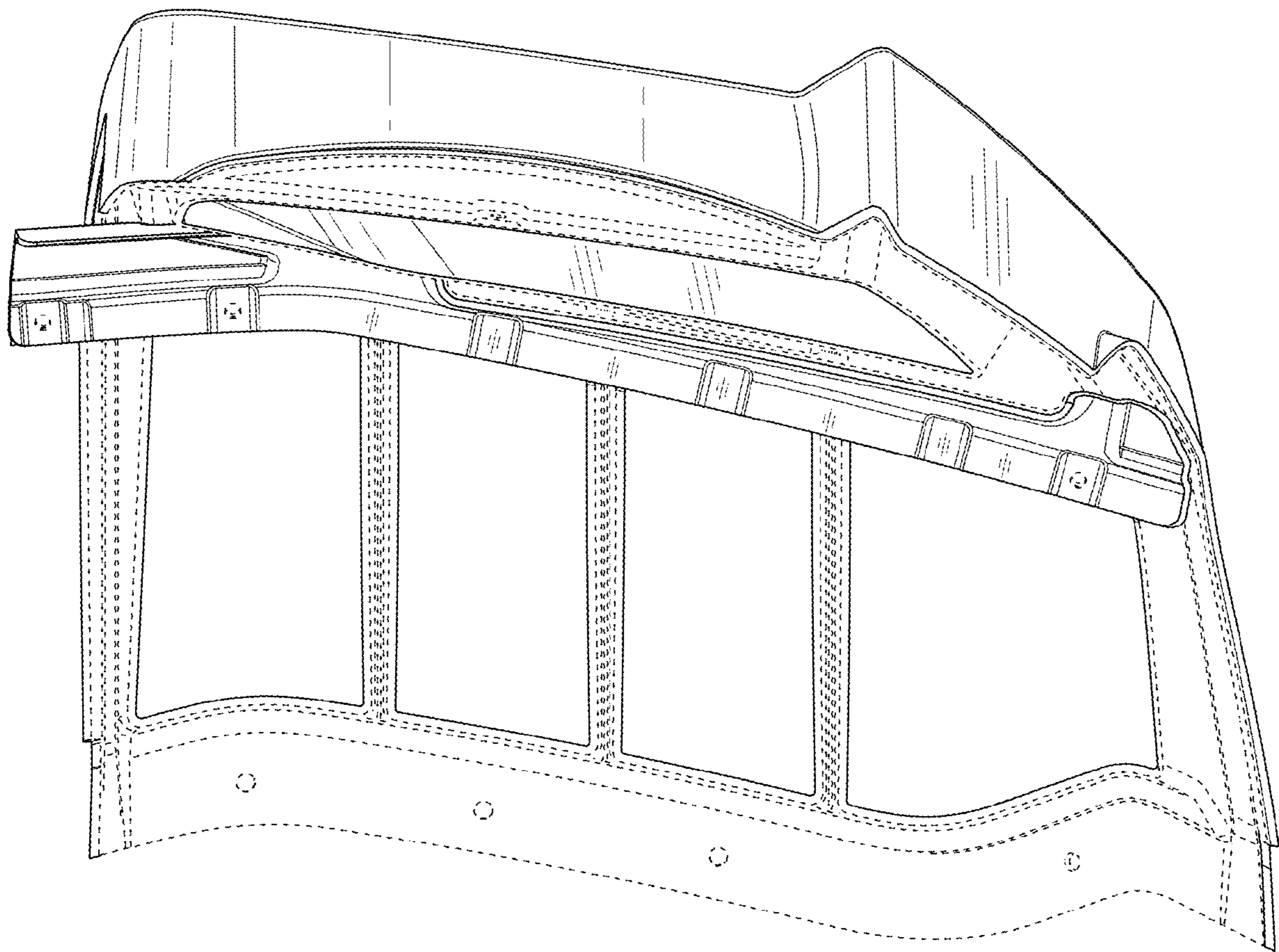


FIG. 6

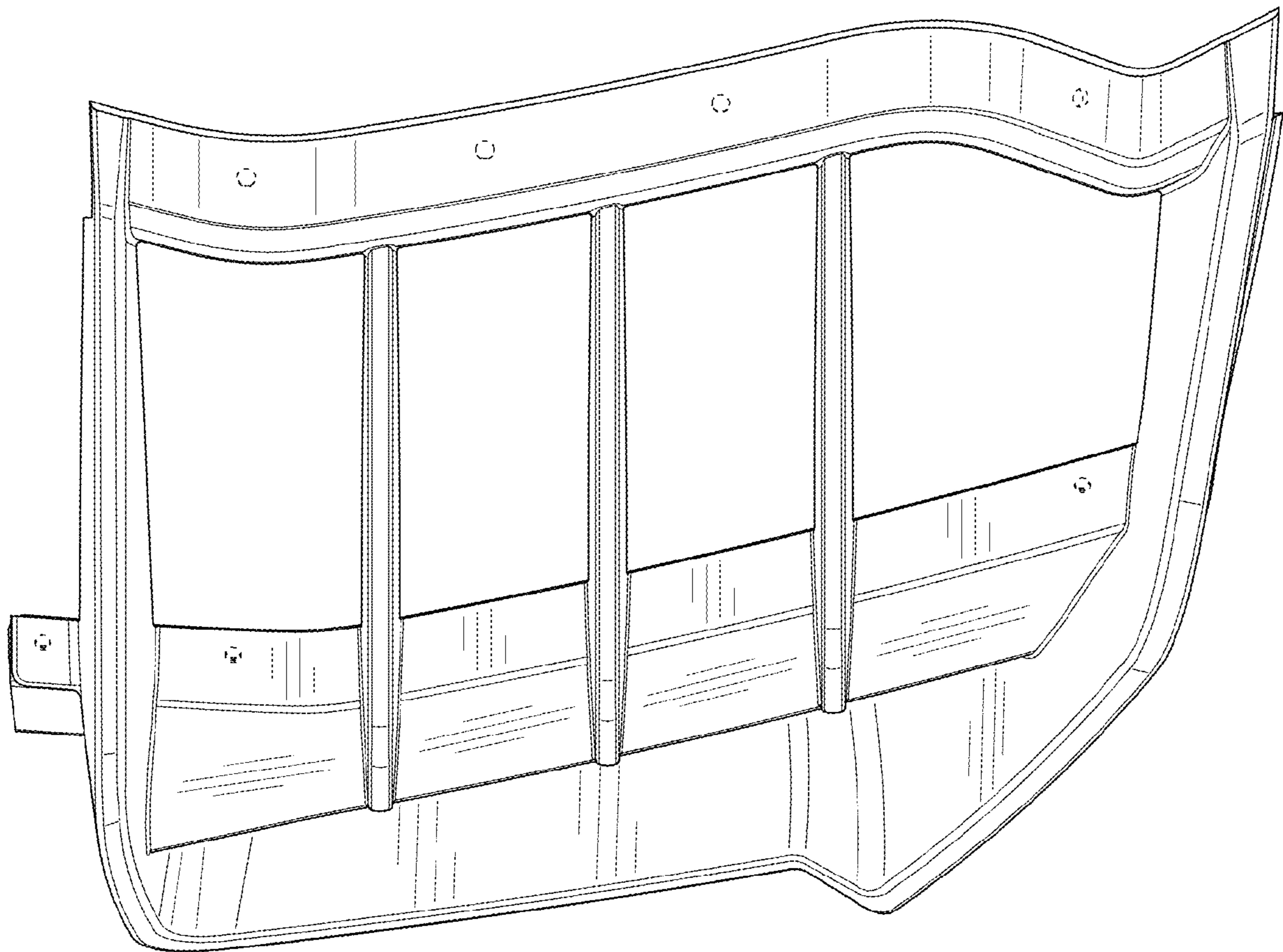


FIG. 7