



US00D978737S

(12) **United States Design Patent** (10) **Patent No.:** **US D978,737 S**
Shao et al. (45) **Date of Patent:** **** Feb. 21, 2023**

(54) **DRIFT CART**

(57) **CLAIM**

(71) Applicant: **Ninebot (Beijing) Tech Co., Ltd.**,
Beijing (CN)

The ornamental design for a drift cart, as shown and described.

(72) Inventors: **Jinbo Shao**, Beijing (CN); **Liqiang Wu**, Beijing (CN); **Liyang Li**, Beijing (CN); **Zheng Jin**, Beijing (CN); **Lei Liu**, Beijing (CN)

DESCRIPTION

The patent or application file contains at least one drawing executed in color. Copies of this patent or patent application publication with color drawing(s) will be provided by the Office upon request and payment of the necessary fee.

(**) Term: **15 Years**

- 1. Drift cart
- 2. Drift cart
- 3. Drift cart
- 4. Drift cart
- 5. Drift cart
- 6. Drift cart
- 7. Drift cart

(21) Appl. No.: **35/512,744**

(22) Filed: **Apr. 14, 2021**

(80) **Hague Agreement Data**

Int. Filing Date: **Apr. 14, 2021**
Int. Reg. No.: **DM/214498**
Int. Reg. Date: **Apr. 14, 2021**
Int. Reg. Pub. Date: **Oct. 15, 2021**

- 1.1 : Front
- 1.2 : Back
- 1.3 : Left
- 1.4 : Right
- 1.5 : Top
- 1.6 : Bottom
- 1.7 : First perspective view
- 1.8 : Second perspective view

(30) **Foreign Application Priority Data**

Oct. 25, 2020 (CN) 202030636799.X
Oct. 25, 2020 (CN) 202030636825.9

- 2.1 : Front
- 2.2 : Back
- 2.3 : Left
- 2.4 : Right
- 2.5 : Top
- 2.6 : Bottom
- 2.7 : First perspective view
- 2.8 : Second perspective view

(51) **LOC (14) Cl.** **12-12**

(52) **U.S. Cl.**
USPC **D12/131**

(58) **Field of Classification Search**
USPC **D12/131**

(Continued)

(56) **References Cited**

U.S. PATENT DOCUMENTS

D300,733 S * 4/1989 Wagner D12/131
5,028,065 A * 7/1991 Danecker A61G 5/121
152/323

- 3.1 : Front
- 3.2 : Back
- 3.3 : Left
- 3.4 : Right
- 3.5 : Top
- 3.6 : Bottom
- 3.7 : First perspective view
- 3.8 : Second perspective view
- 4.1 : Front
- 4.2 : Back

(Continued)

Primary Examiner — Charles D Hanson

(Continued)



- 4.3 : Left
- 4.4 : Right
- 4.5 : Top
- 4.6 : Bottom
- 4.7 : First perspective view
- 4.8 : Second perspective view
- 5.1 : Front
- 5.2 : Back
- 5.3 : Left
- 5.4 : Right
- 5.5 : Top
- 5.6 : Bottom
- 5.7 : First perspective view
- 5.8 : Second perspective view
- 6.1 : Front
- 6.2 : Back
- 6.3 : Left
- 6.4 : Right
- 6.5 : Top
- 6.6 : Bottom
- 6.7 : First perspective view
- 6.8 : Second perspective view
- 7.1 : Front
- 7.2 : Back
- 7.3 : Left
- 7.4 : Right
- 7.5 : Top
- 7.6 : Bottom
- 7.7 : First perspective view
- 7.8 : Second perspective view

1 Claim, 56 Drawing Sheets
(32 of 56 Drawing Sheet(s) Filed in Color)

(58) **Field of Classification Search**

CPC A61G 5/00–14

See application file for complete search history.

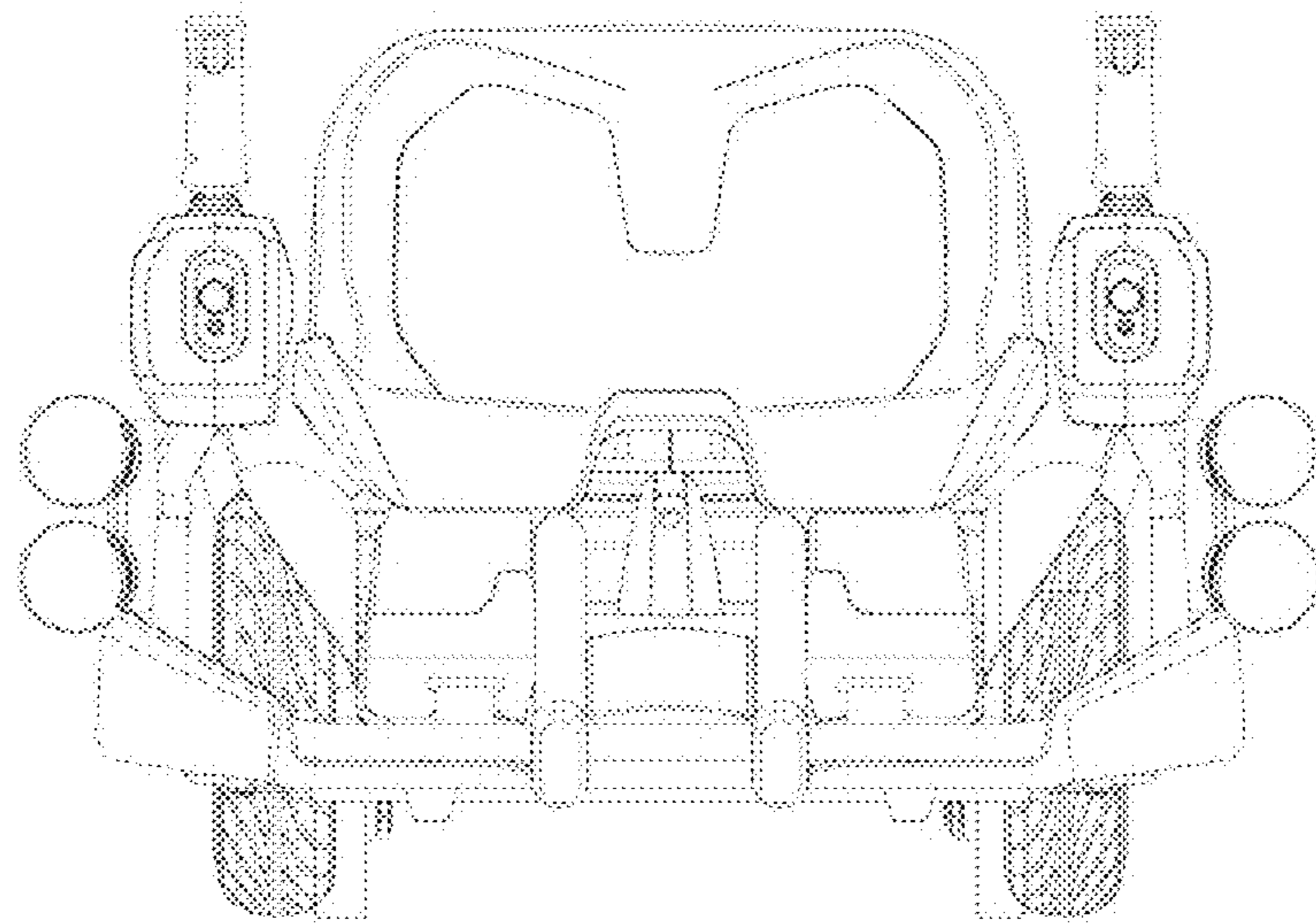
(56) **References Cited**

U.S. PATENT DOCUMENTS

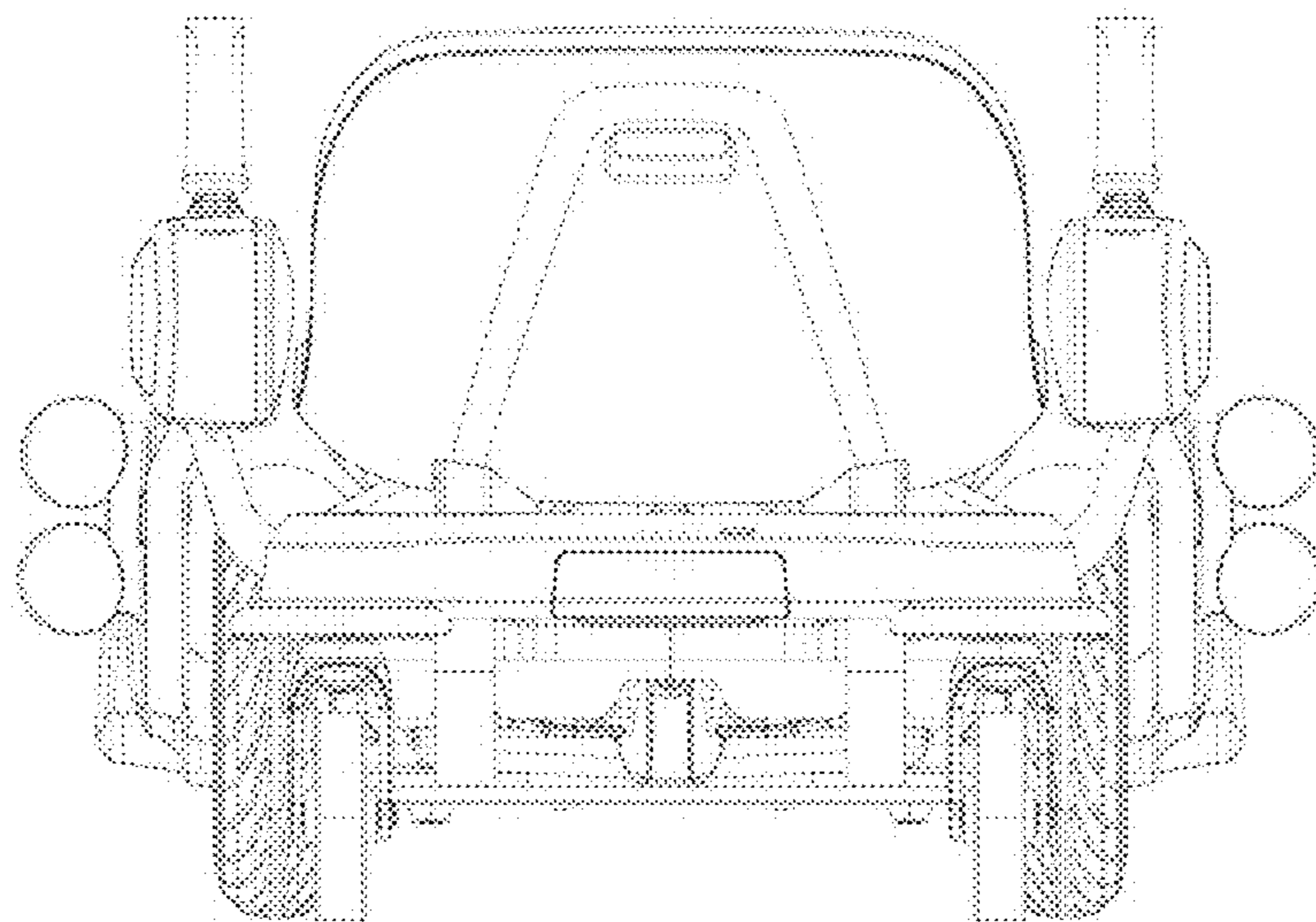
D331,210	S	*	11/1992	Robertson	D12/128
D365,786	S	*	1/1996	Peterson	D12/131
D401,191	S	*	11/1998	Gagnon	D12/131
D676,362	S	*	2/2013	Adams	D12/131
8,801,020	B2	*	8/2014	Borisoff	A61G 5/10 280/47.38
D721,016	S	*	1/2015	Harding	D12/131
D801,879	S	*	11/2017	Slorance	A61G 5/10 D12/131
D887,311	S	*	6/2020	Wu	D12/131
D905,600	S	*	12/2020	Codet	D12/131
D924,738	S	*	7/2021	Bussetti	D12/131
D951,823	S	*	5/2022	Son	D12/131
D958,011	S	*	7/2022	Badano	D12/131
2012/0306178	A1	*	12/2012	Adams	A61G 5/00 280/250.1
2012/0326473	A1	*	12/2012	Salvan	B60F 3/0061 280/270
2013/0187355	A1	*	7/2013	Slorance	A61G 5/10 29/428
2020/0113756	A1	*	4/2020	Togni	A61G 5/122

* cited by examiner

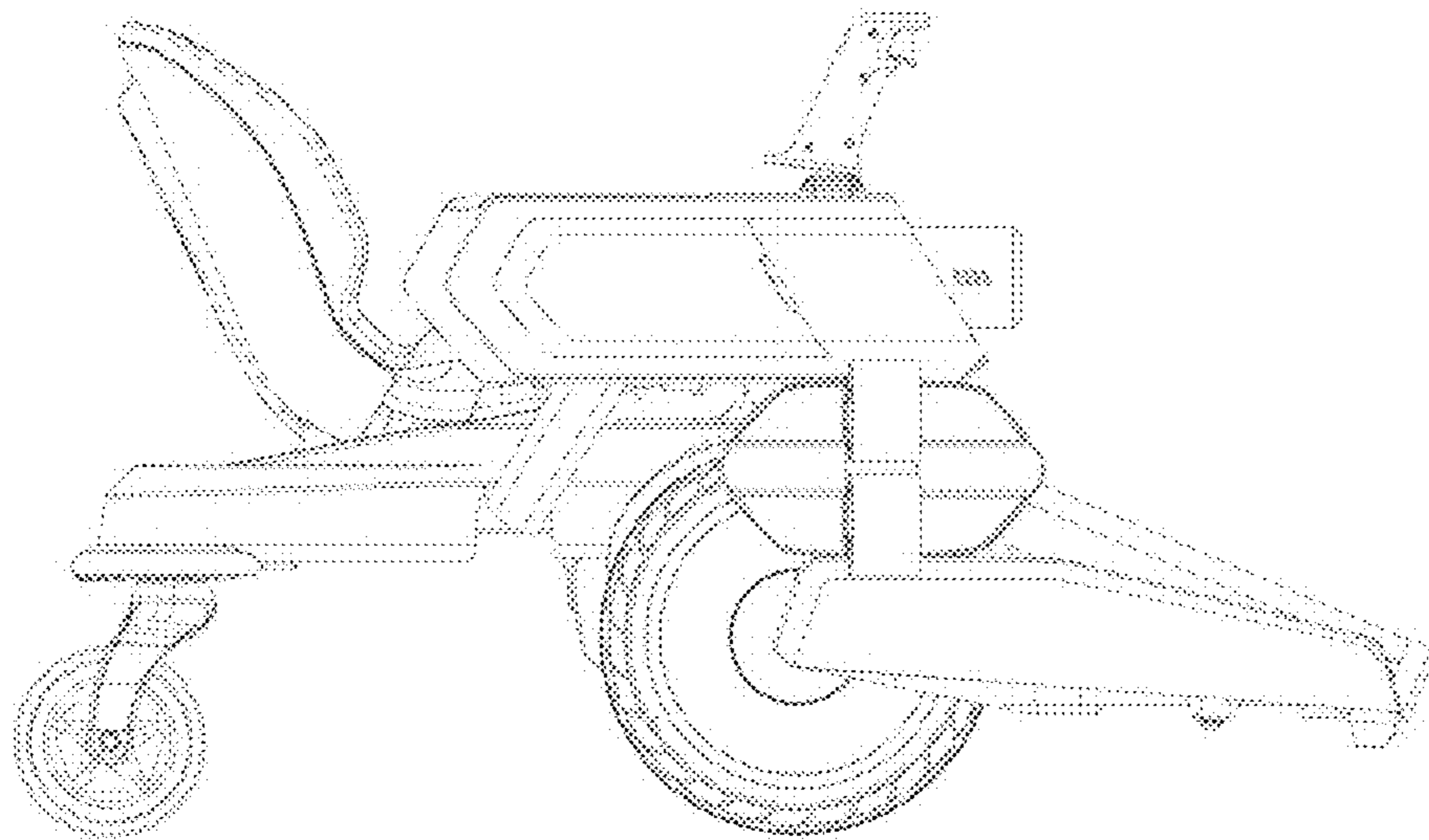
1.1



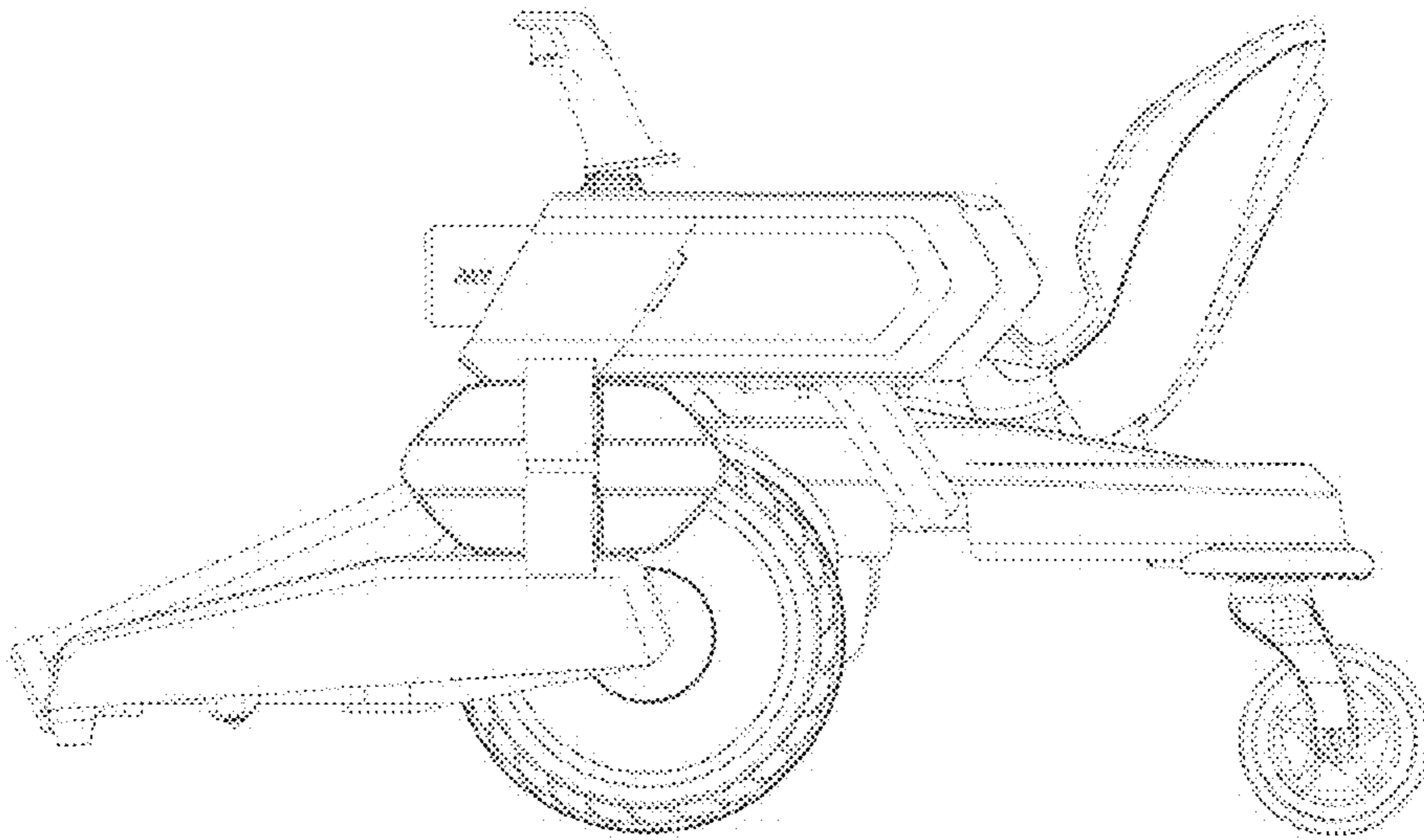
1.2



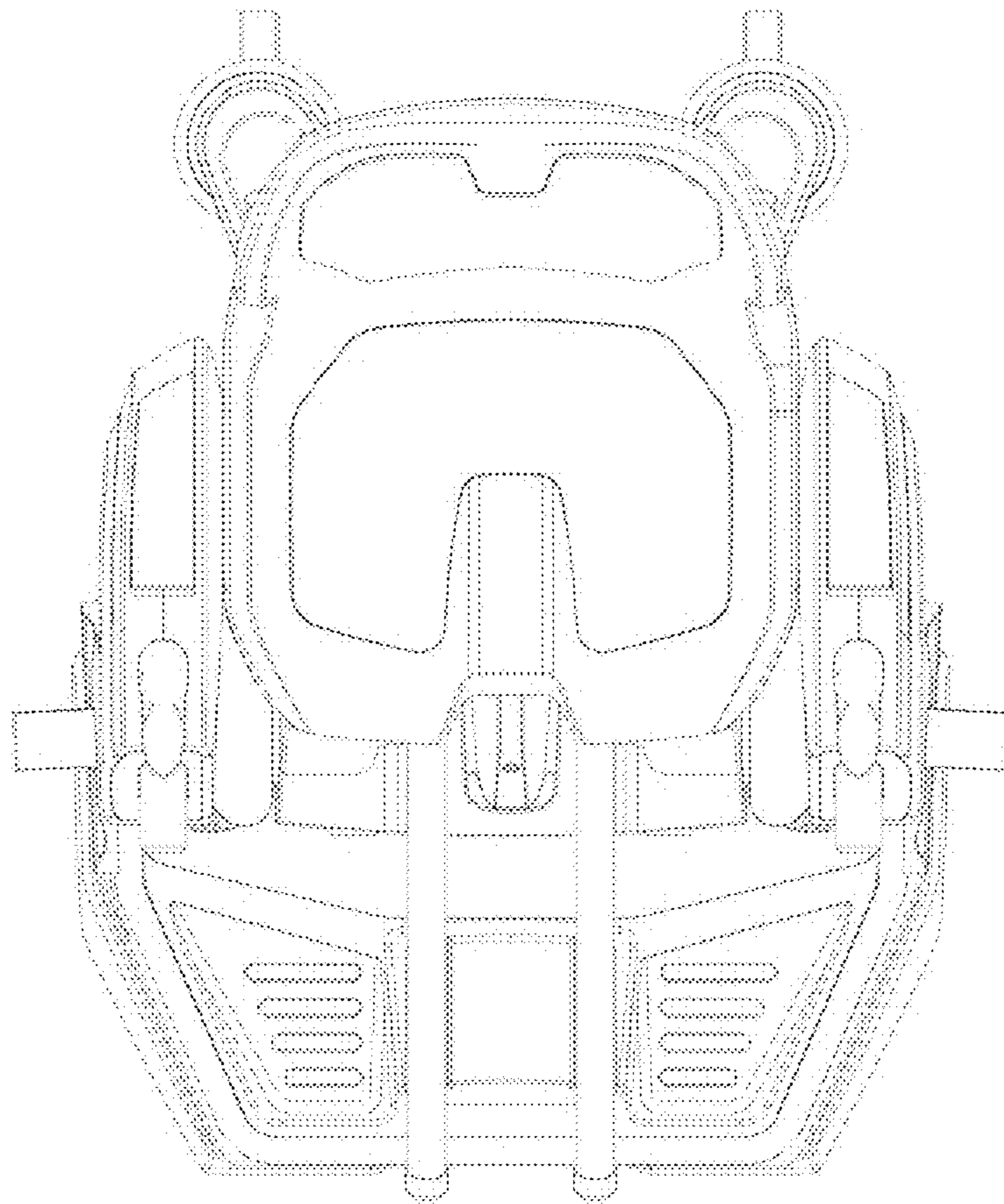
1.3



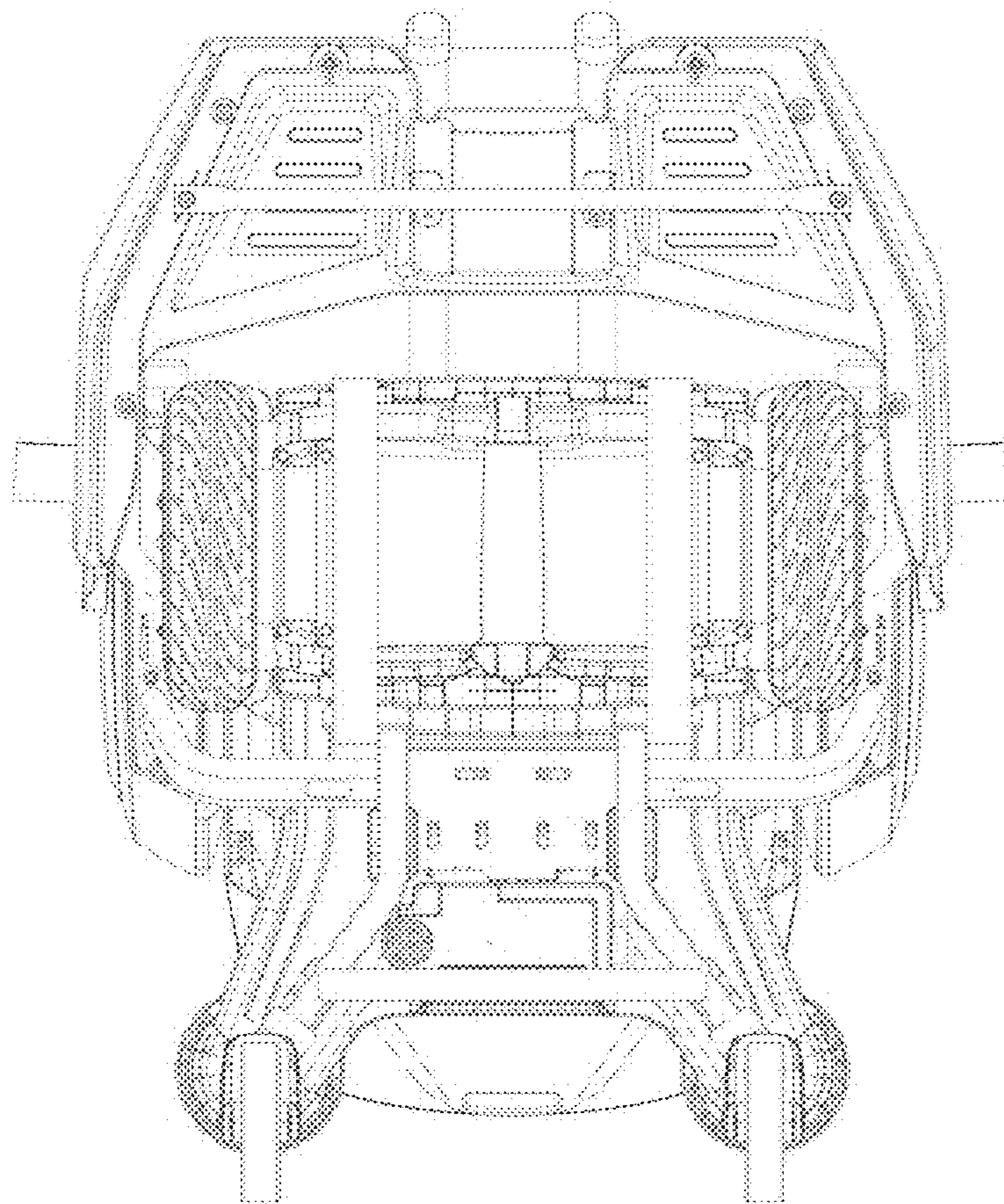
1.4



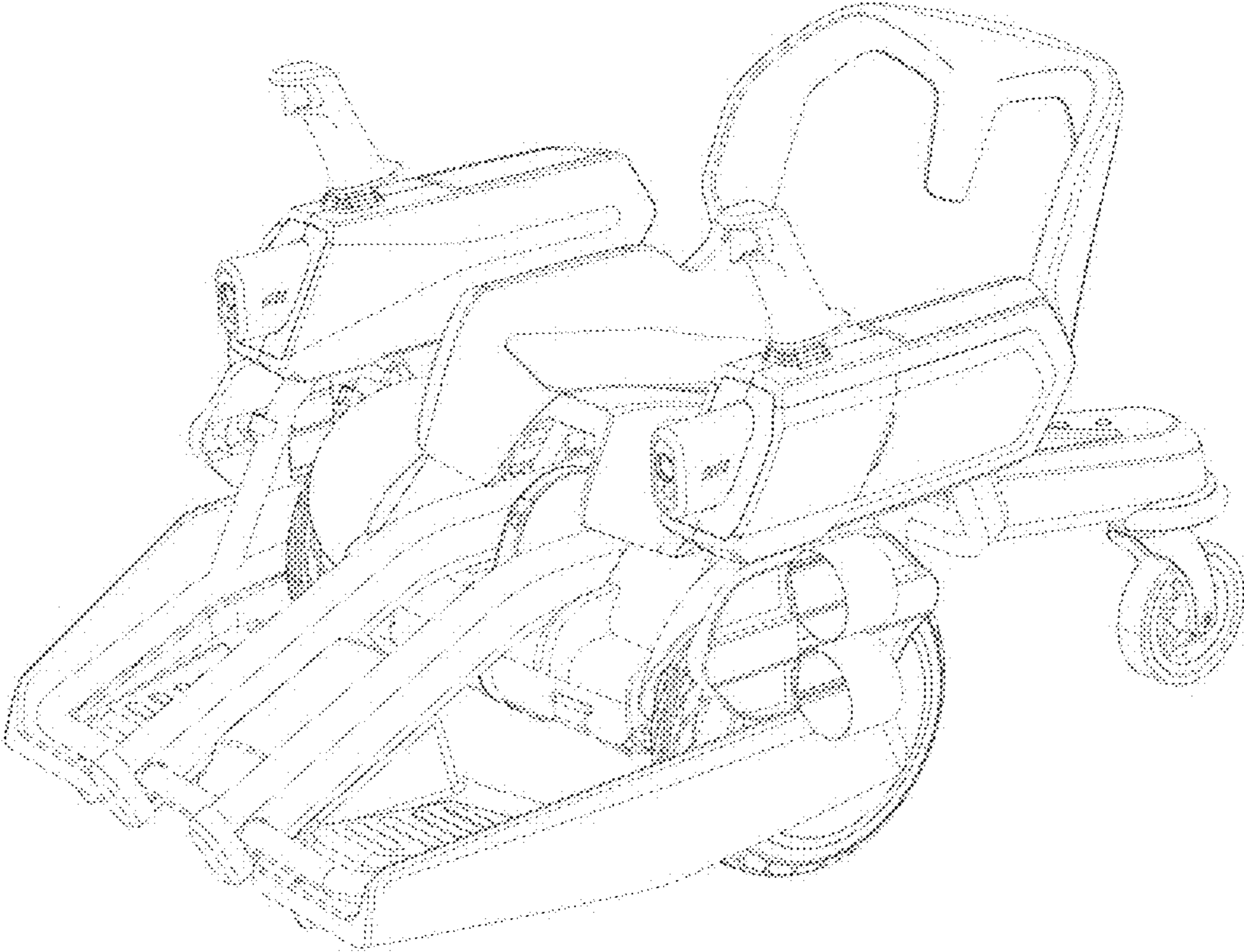
1.5



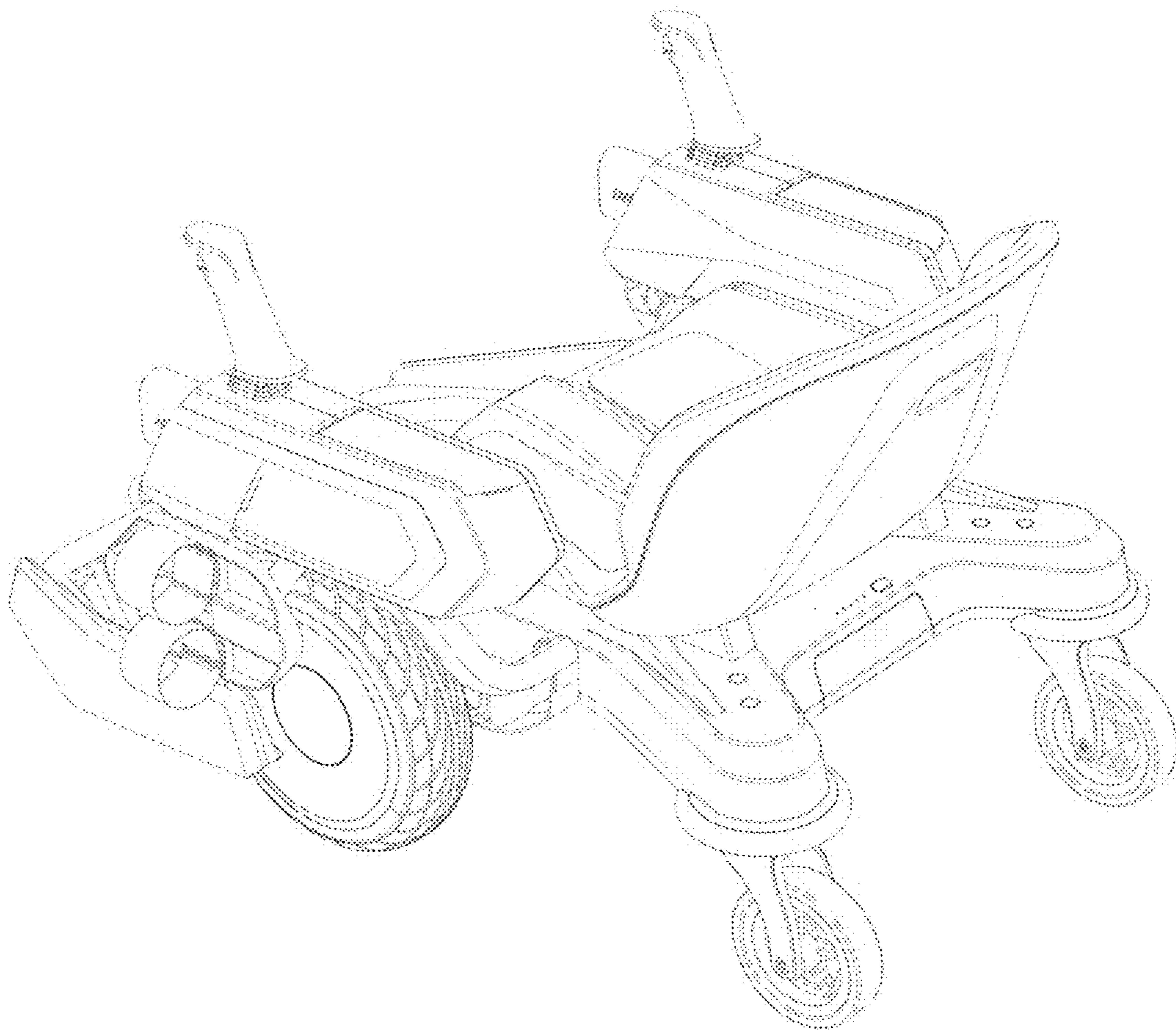
1.6



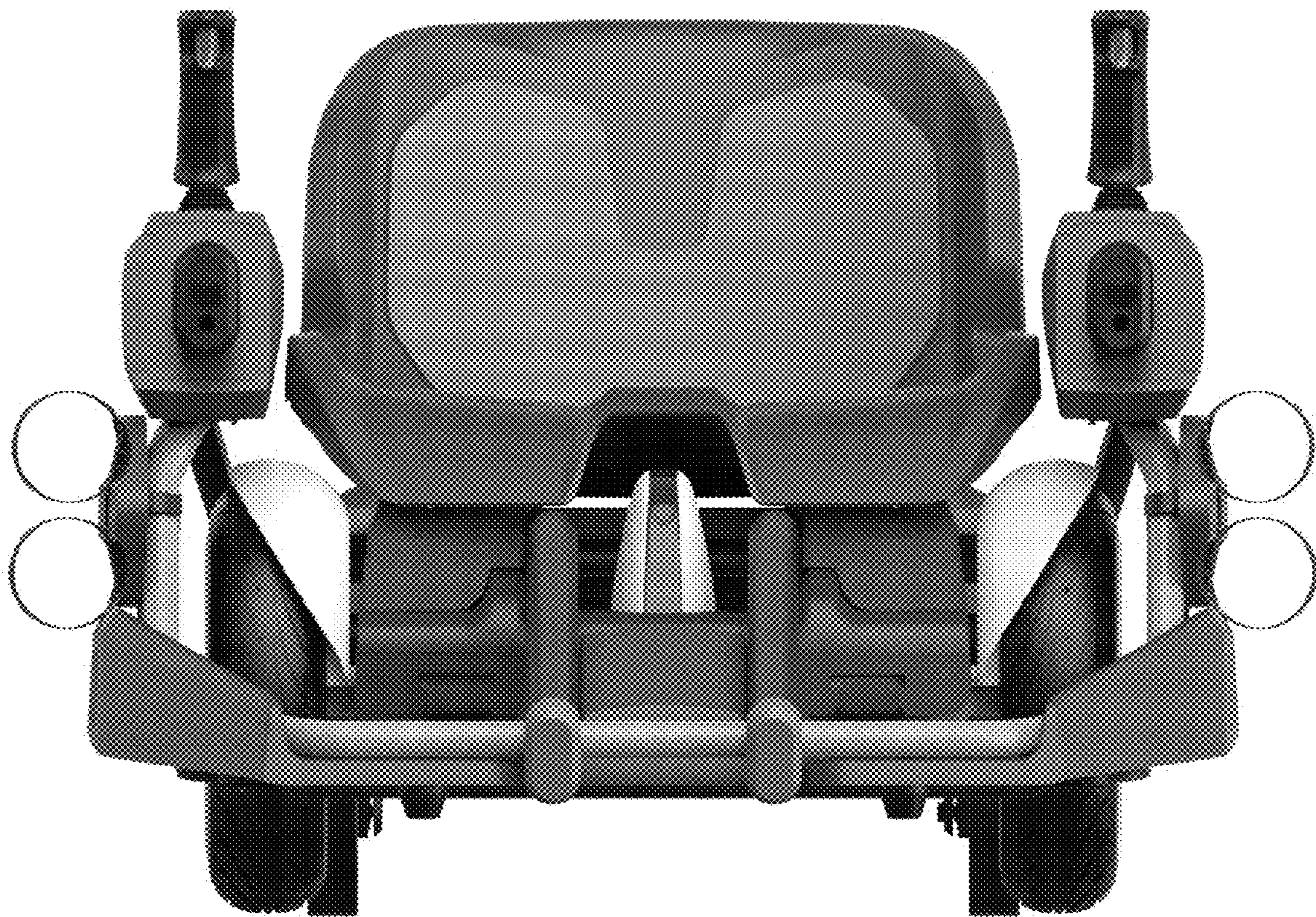
1.7



1.8



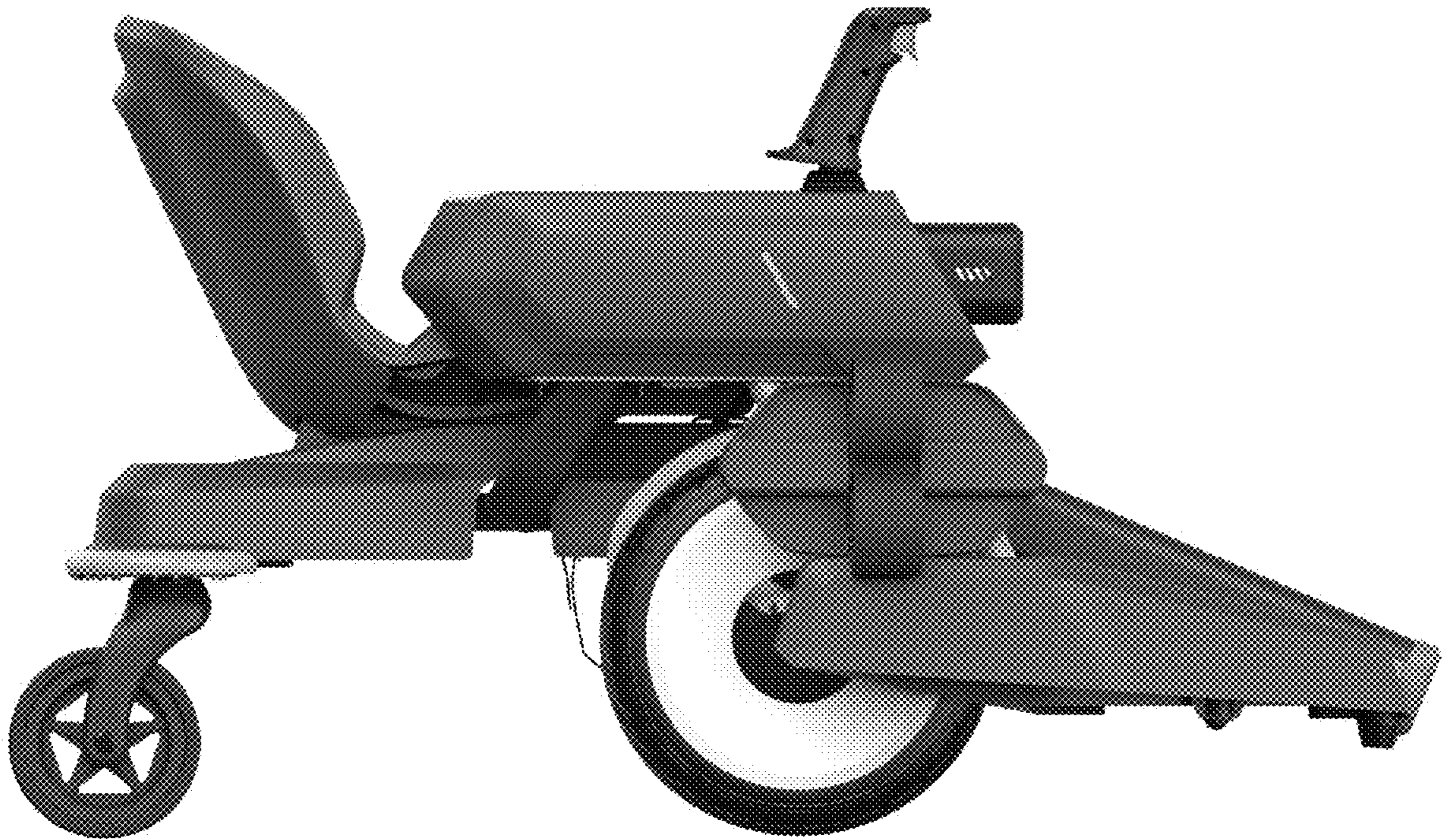
2.1



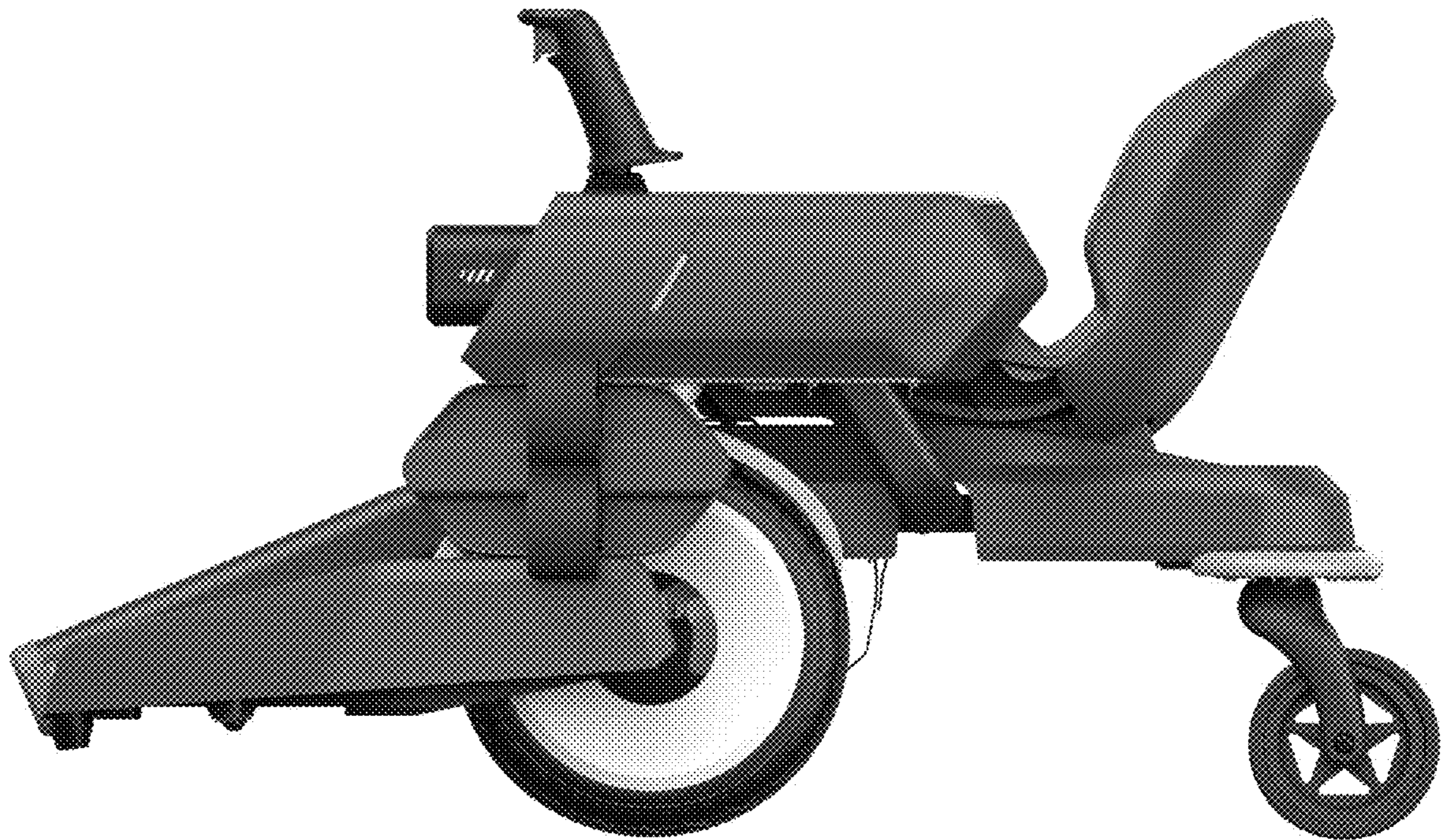
2.2



2.3



2.4



2.5



2.6



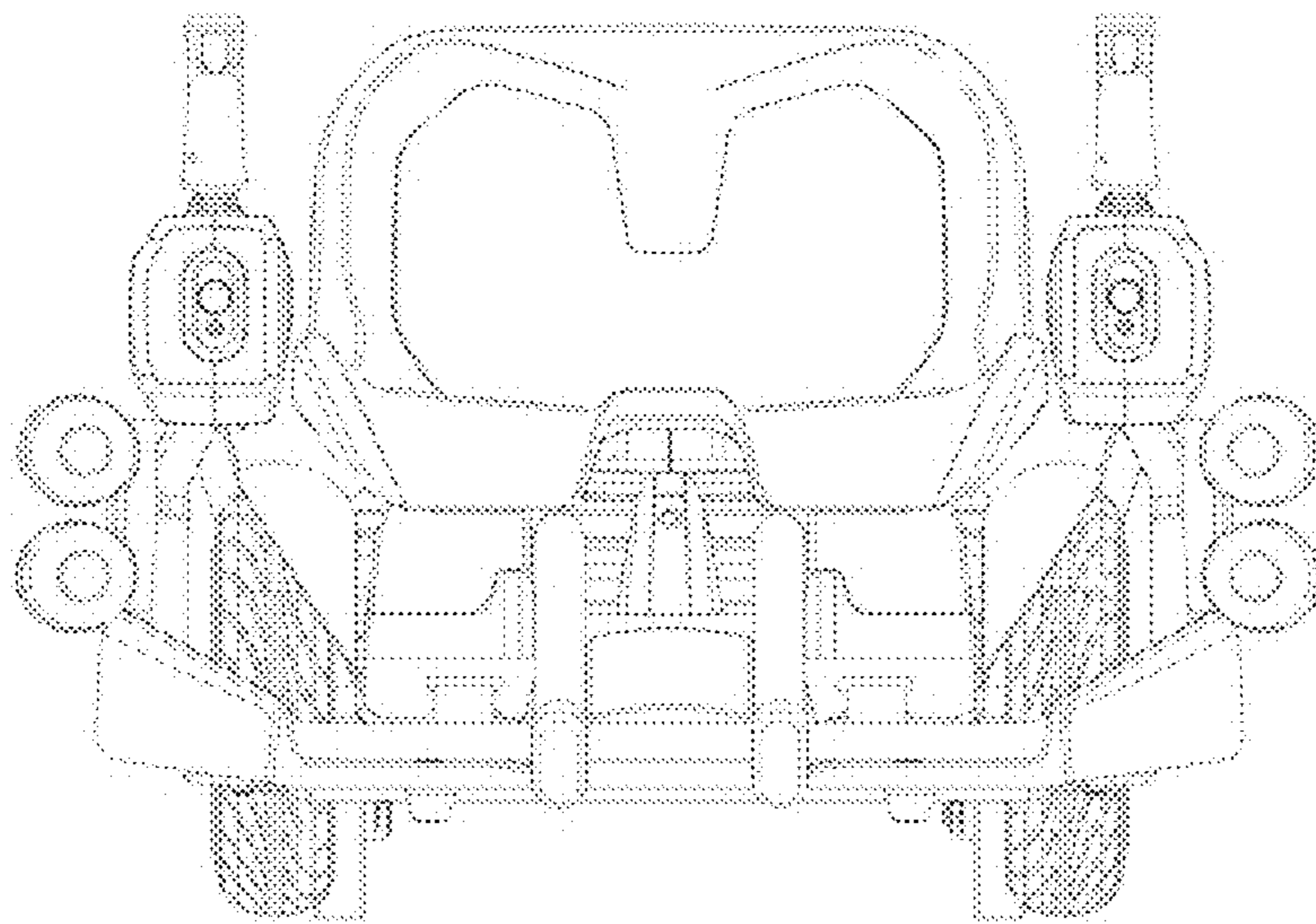
2.7



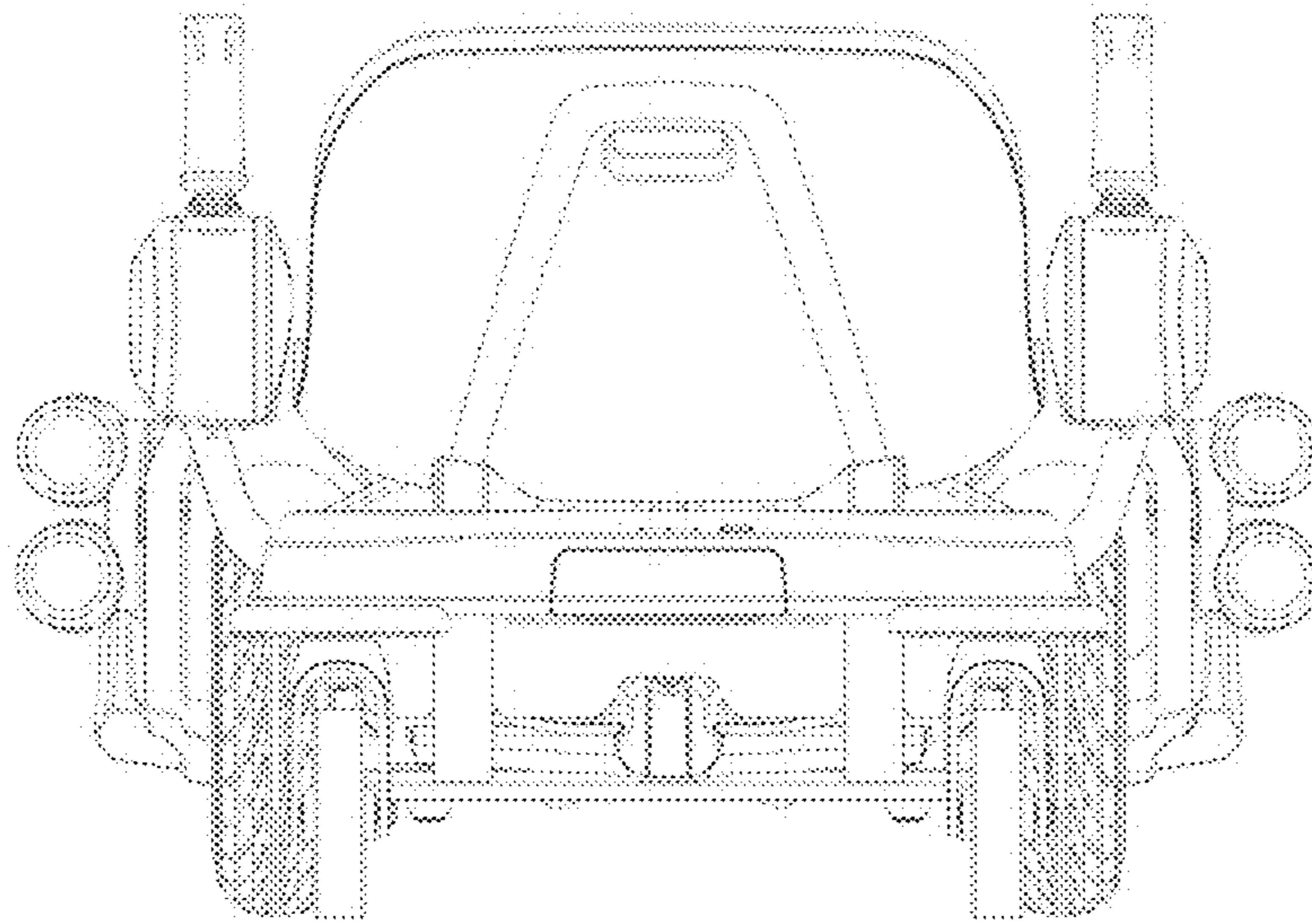
2.8



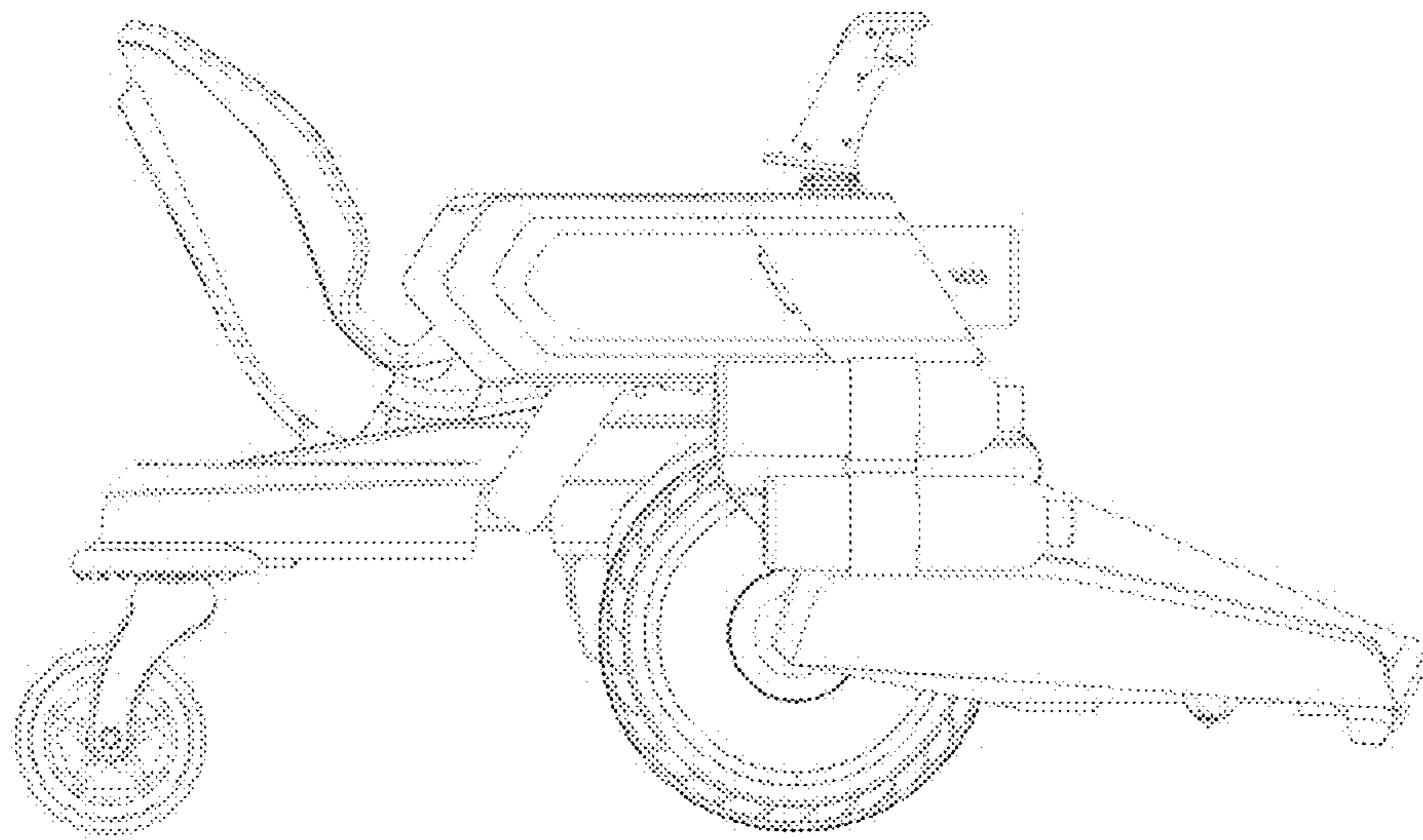
3.1



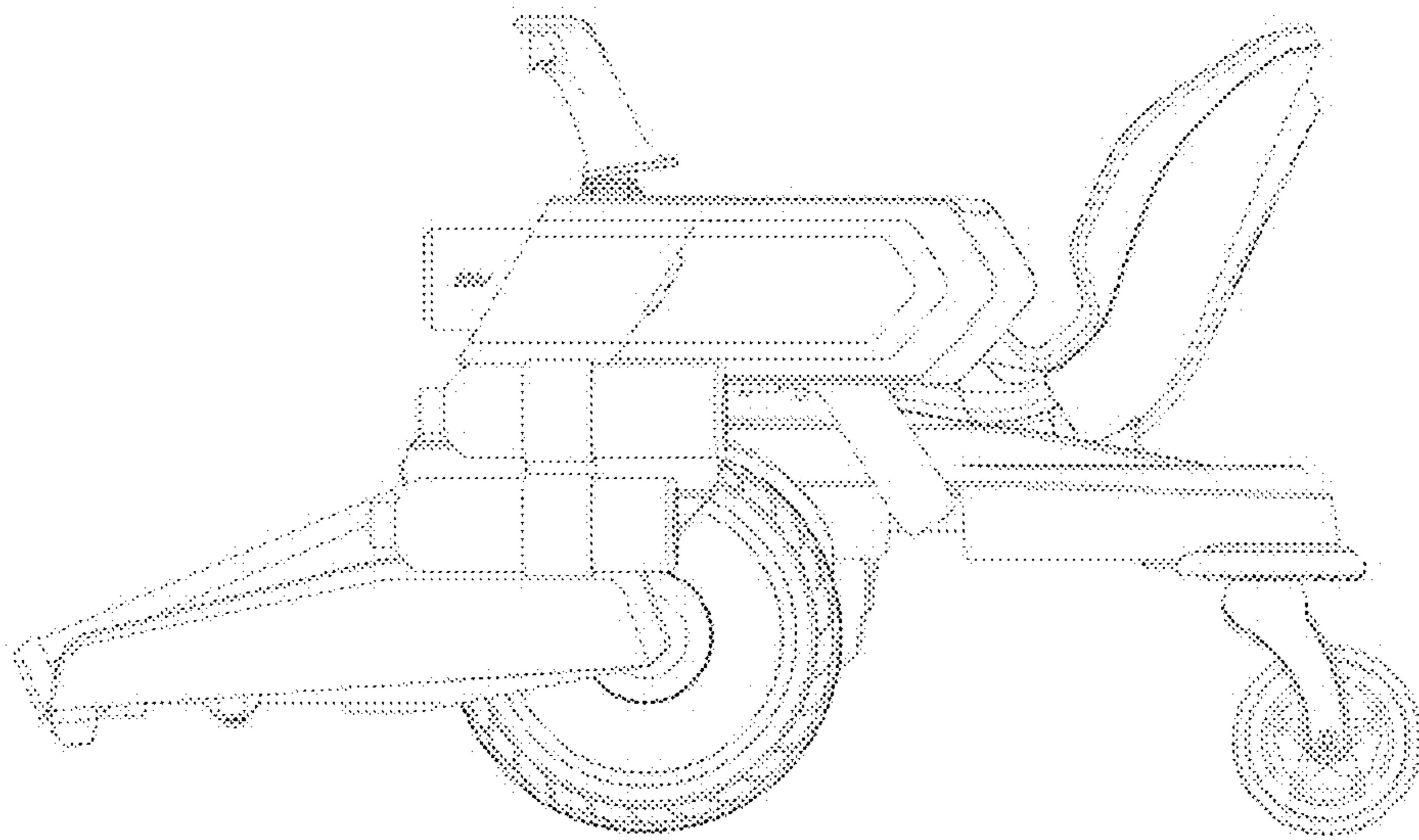
3.2



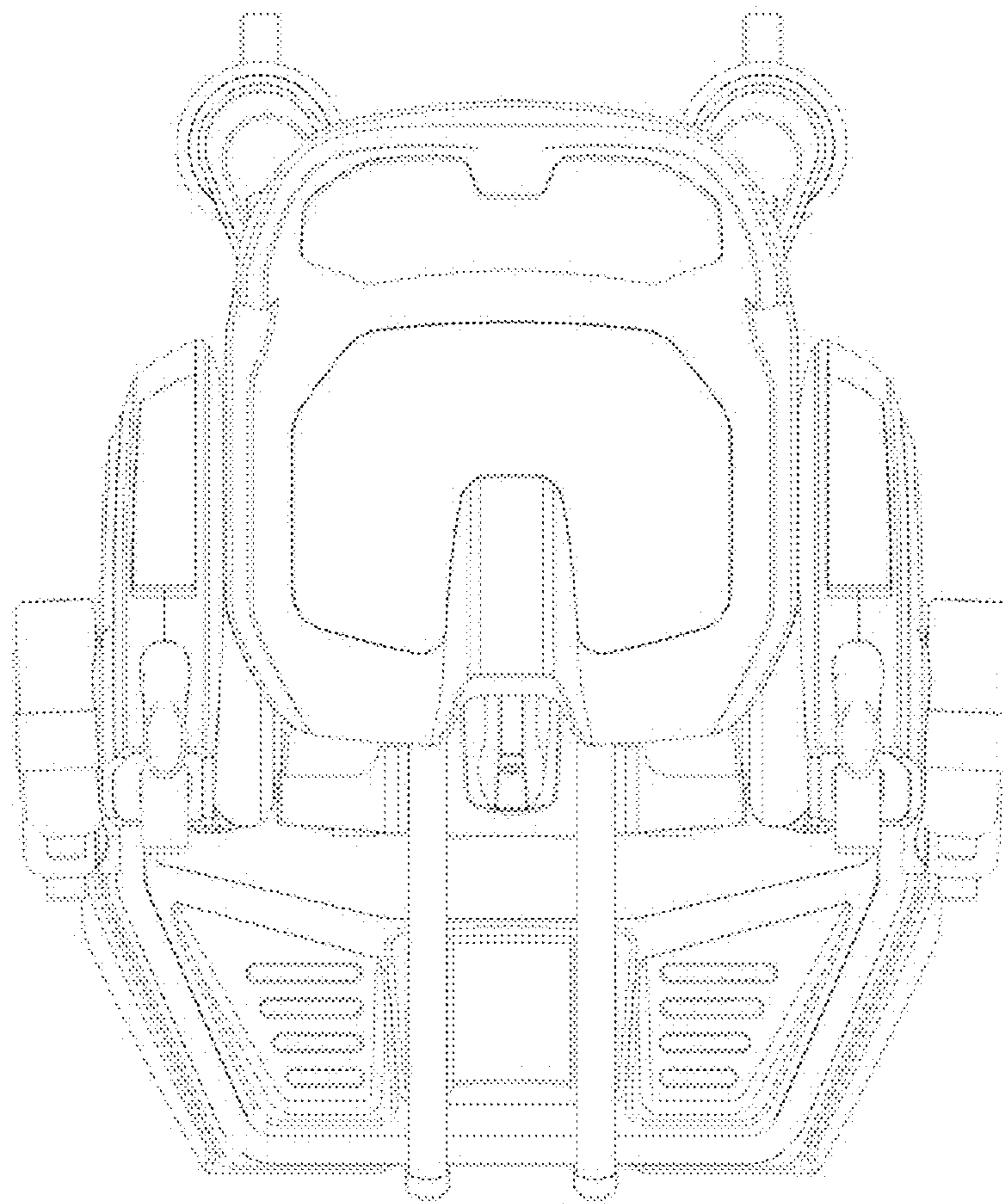
3.3



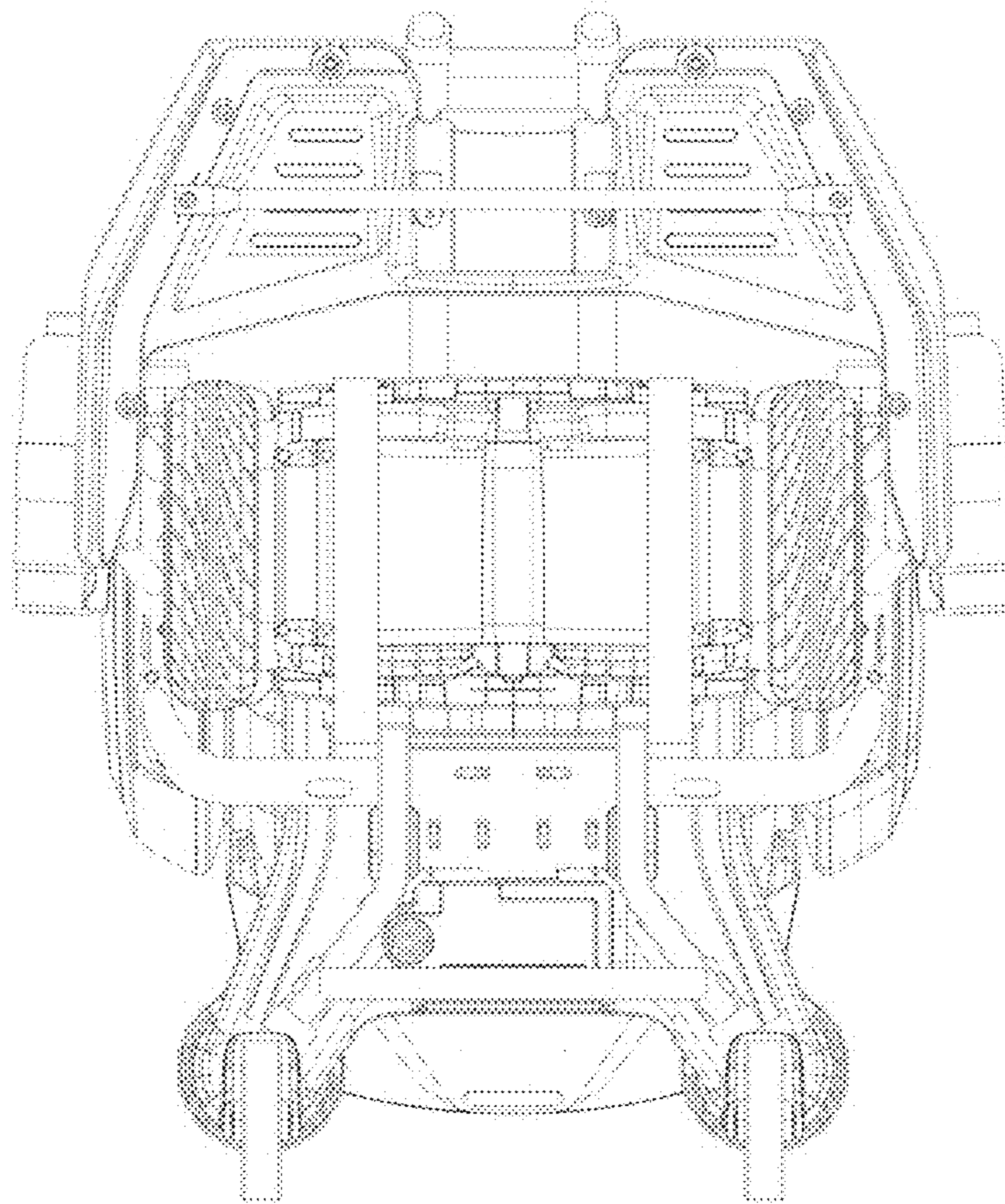
3.4



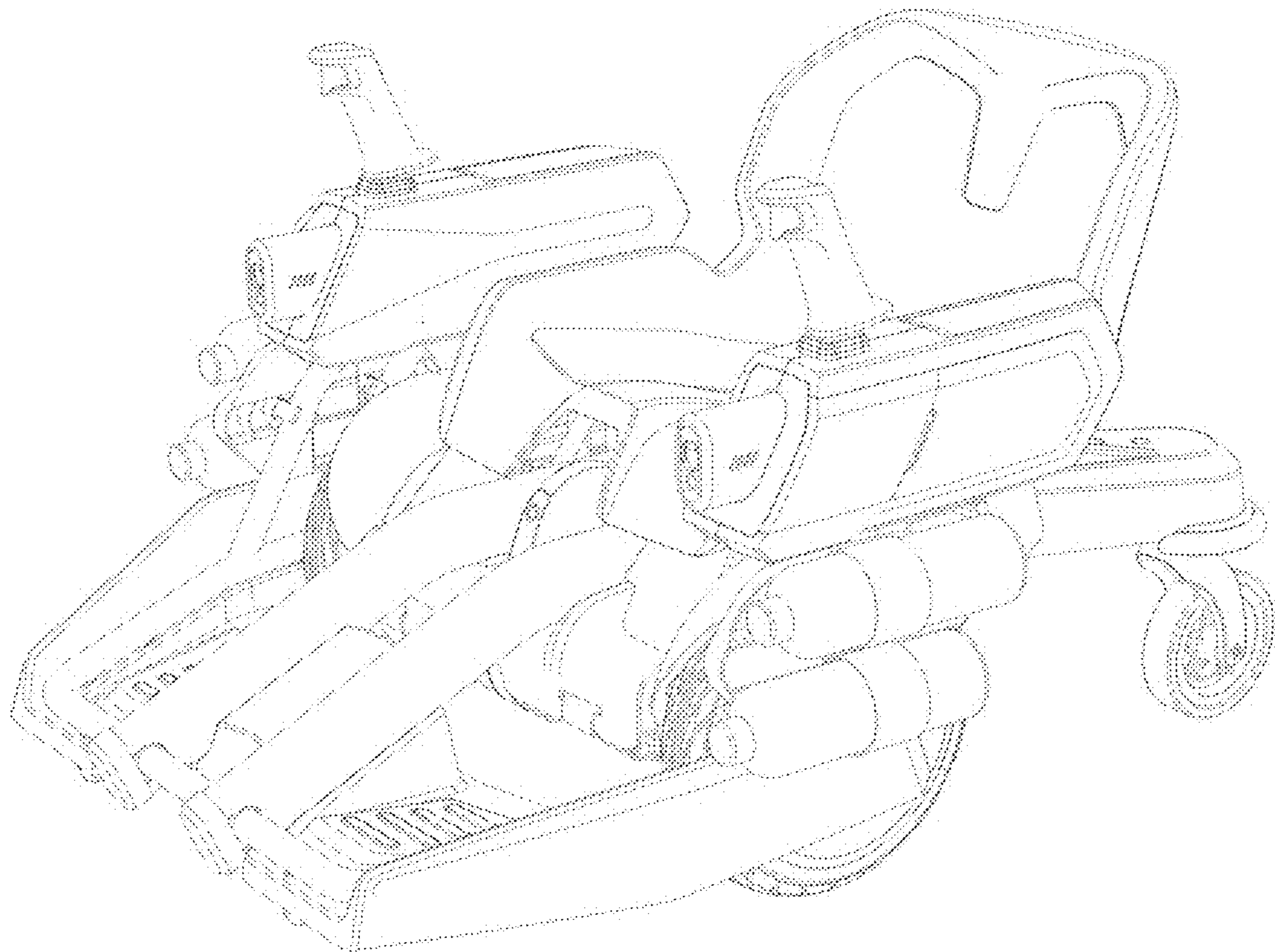
3.5



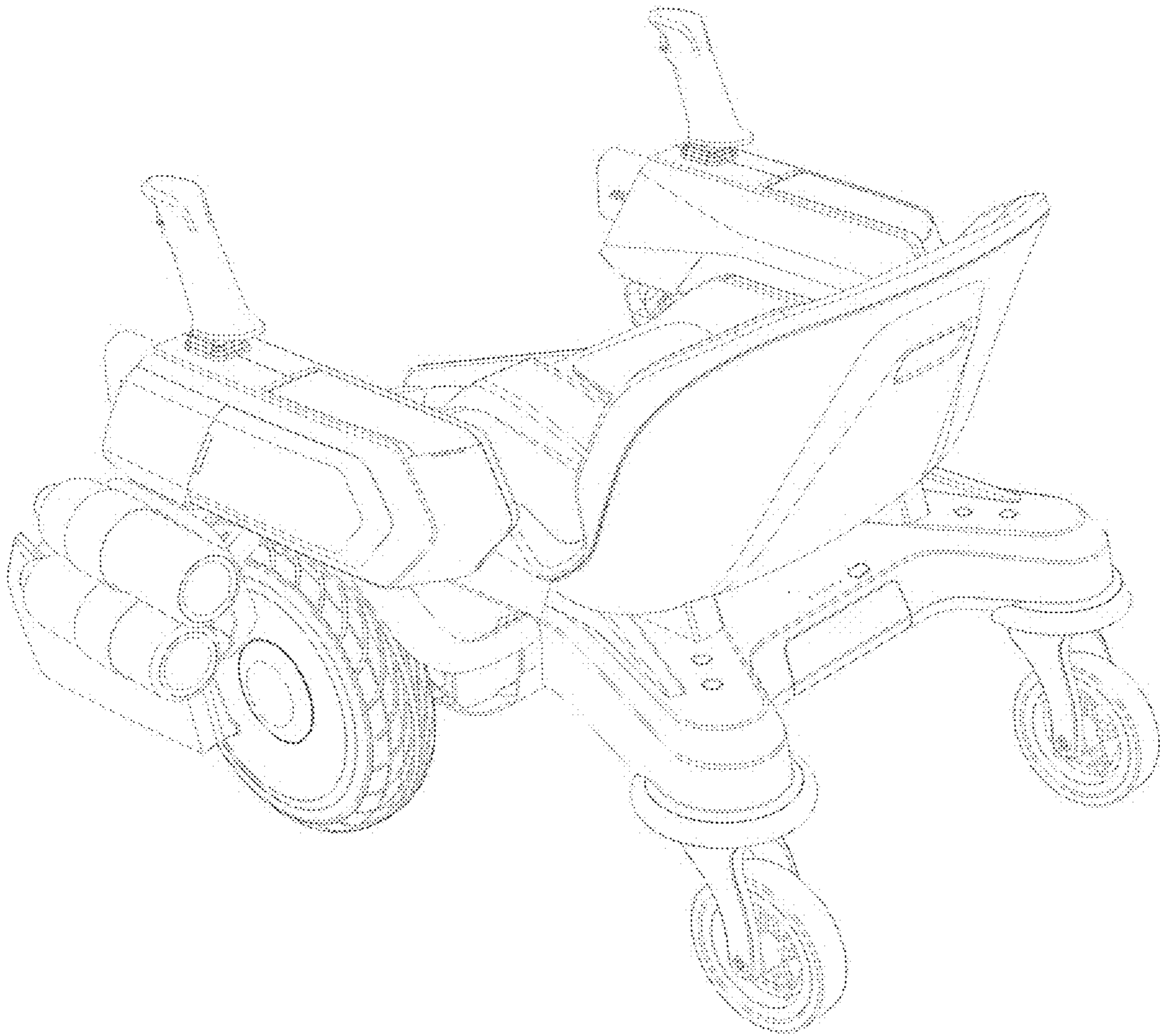
3.6



3.7



3.8



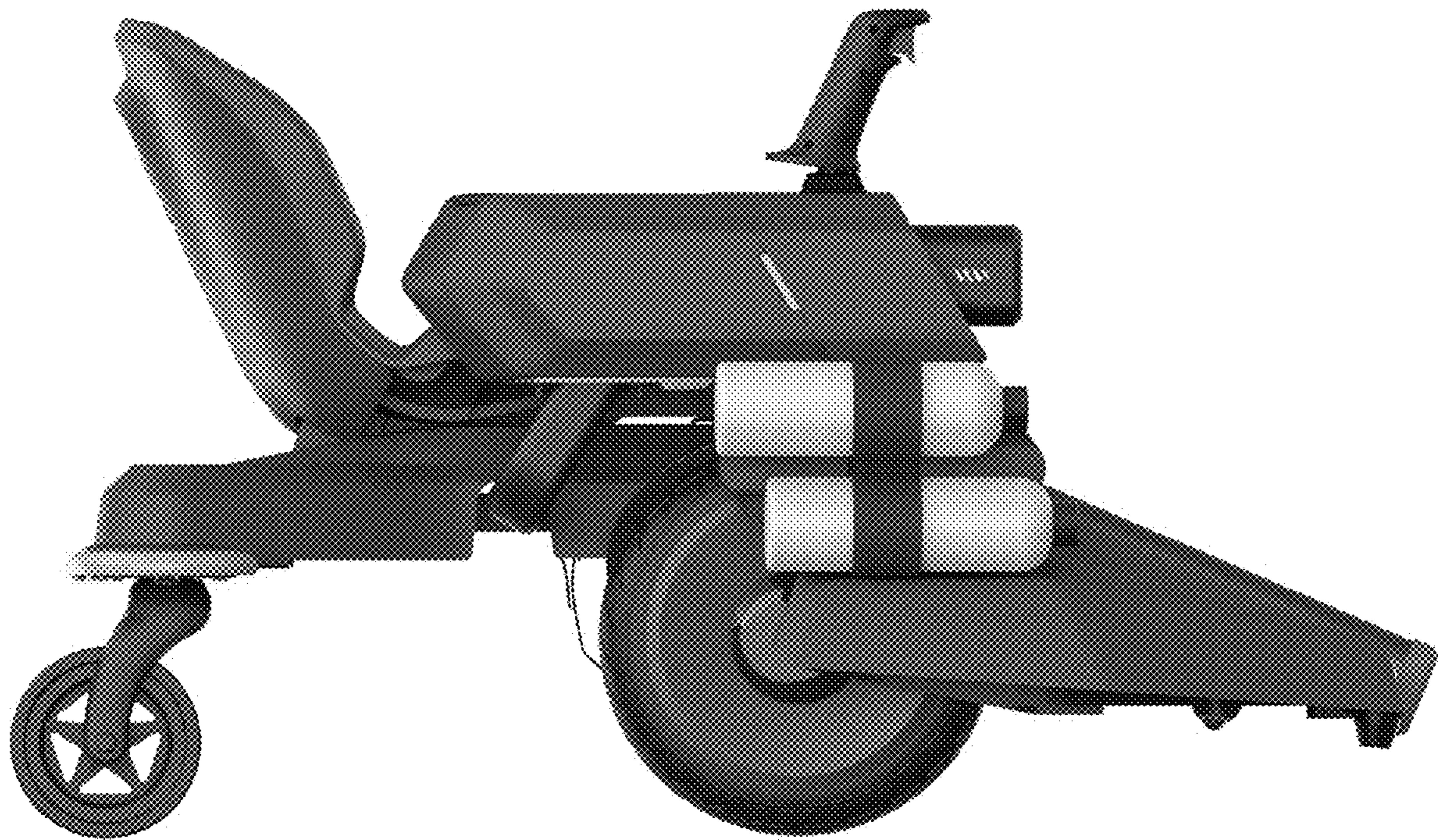
4.1



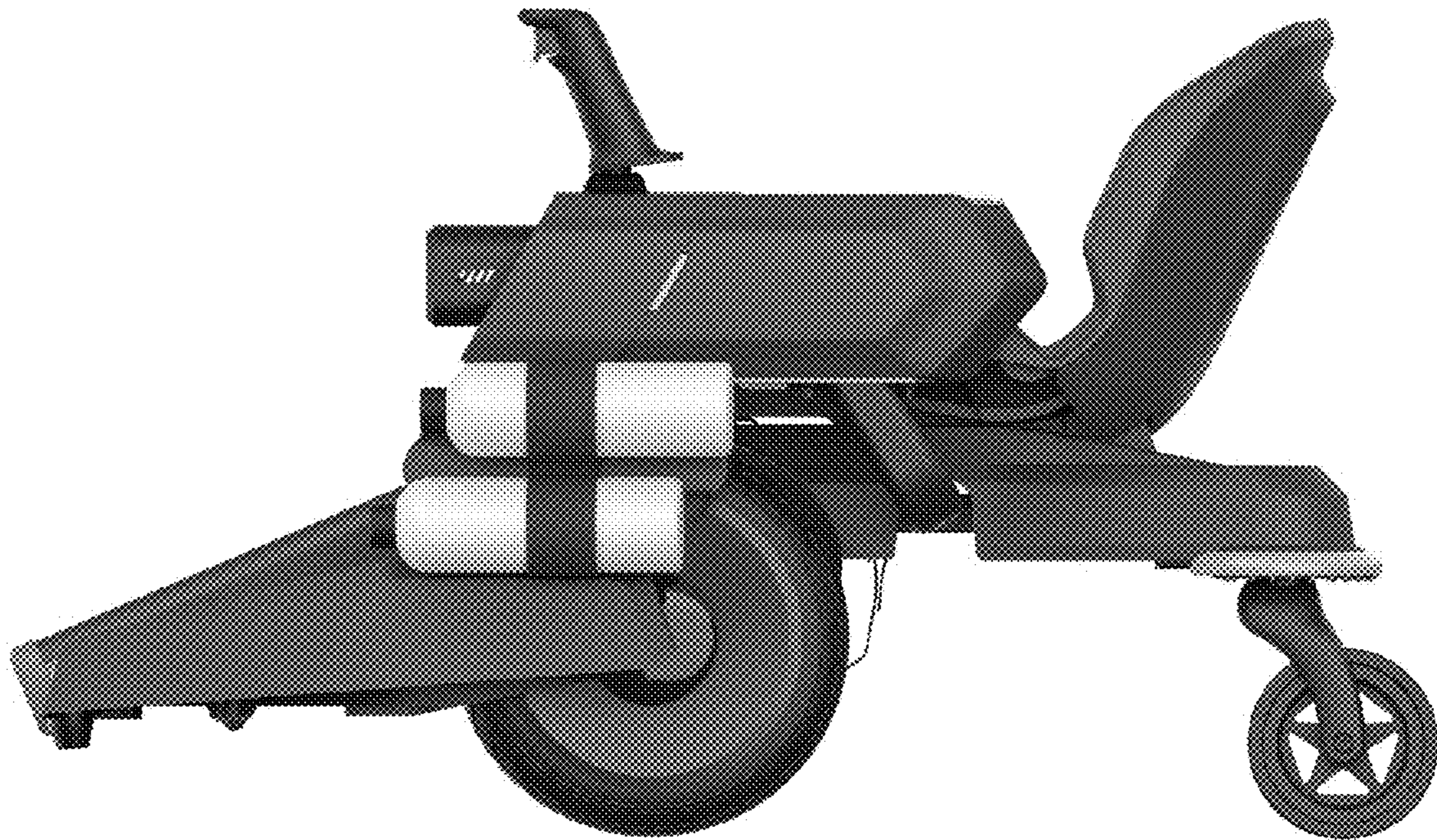
4.2



4.3



4.4



4.5



4.6



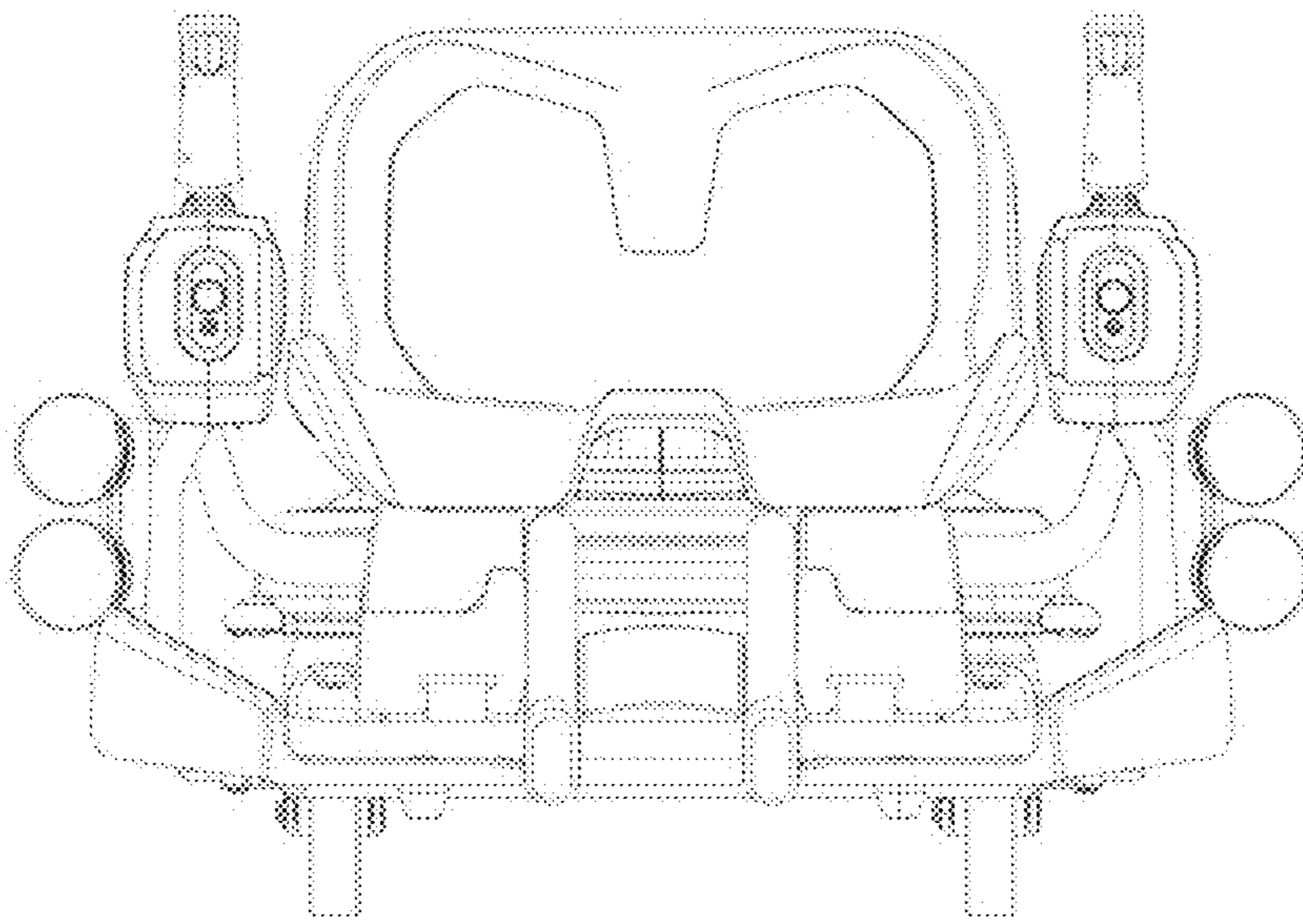
4.7



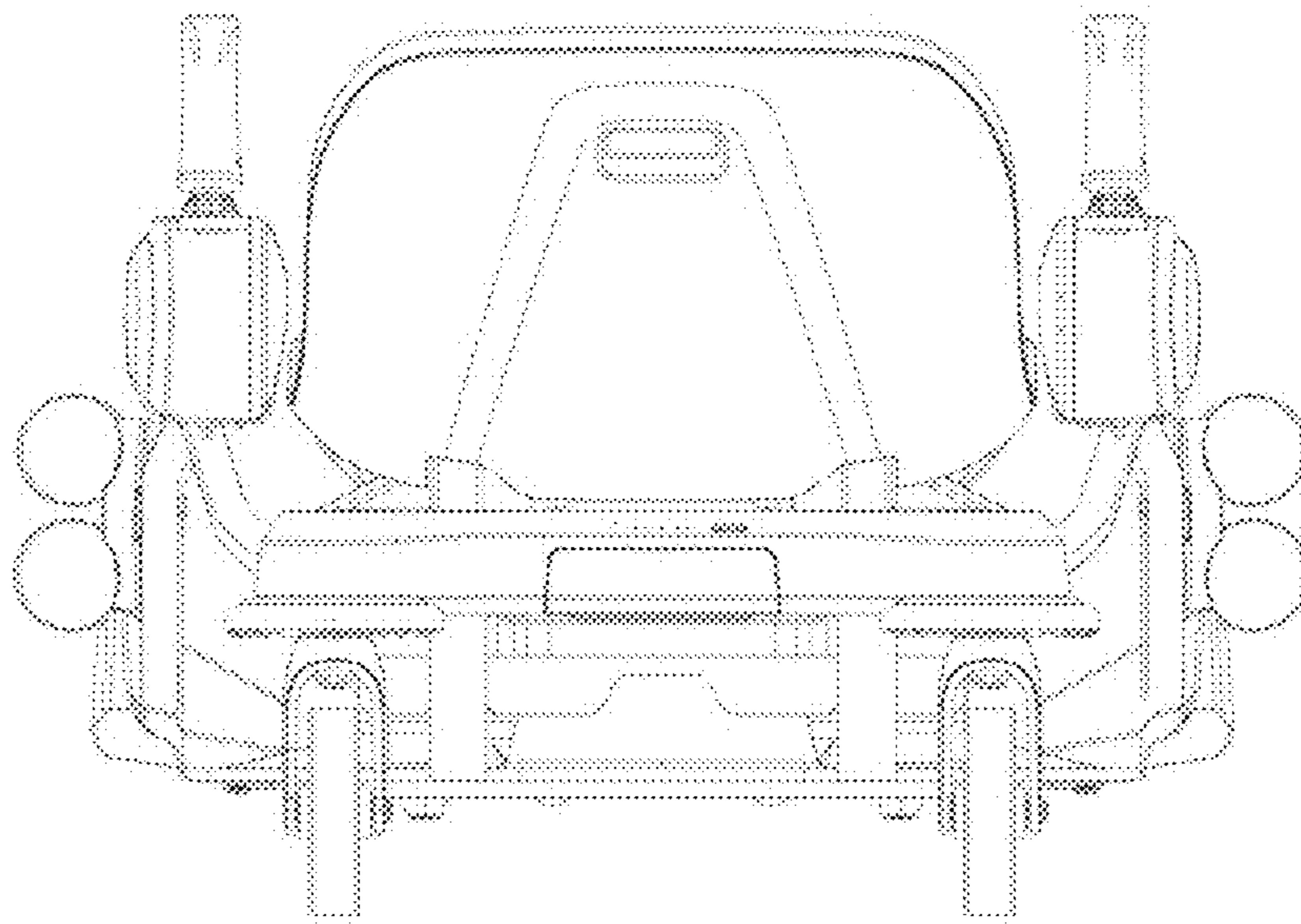
4.8



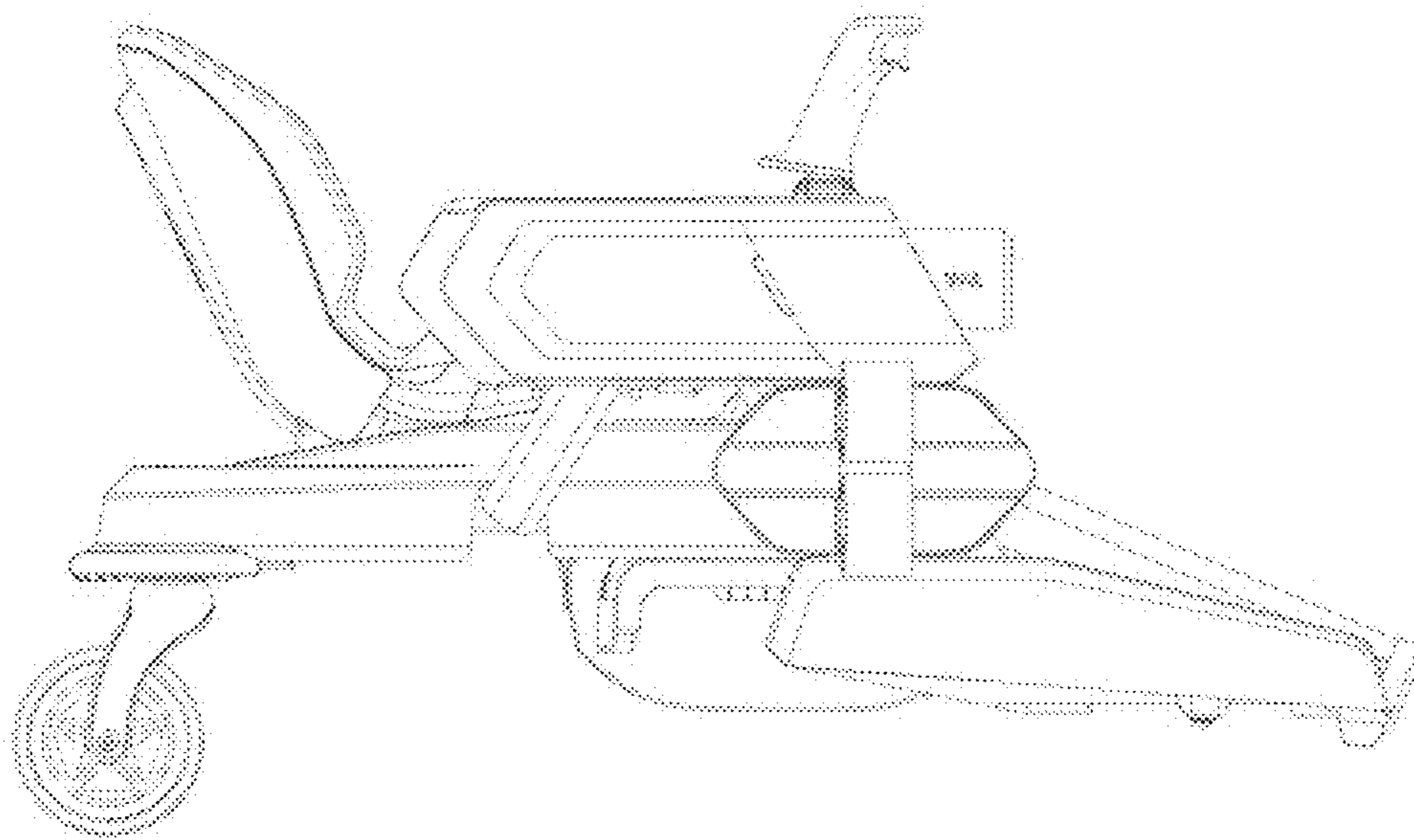
5.1



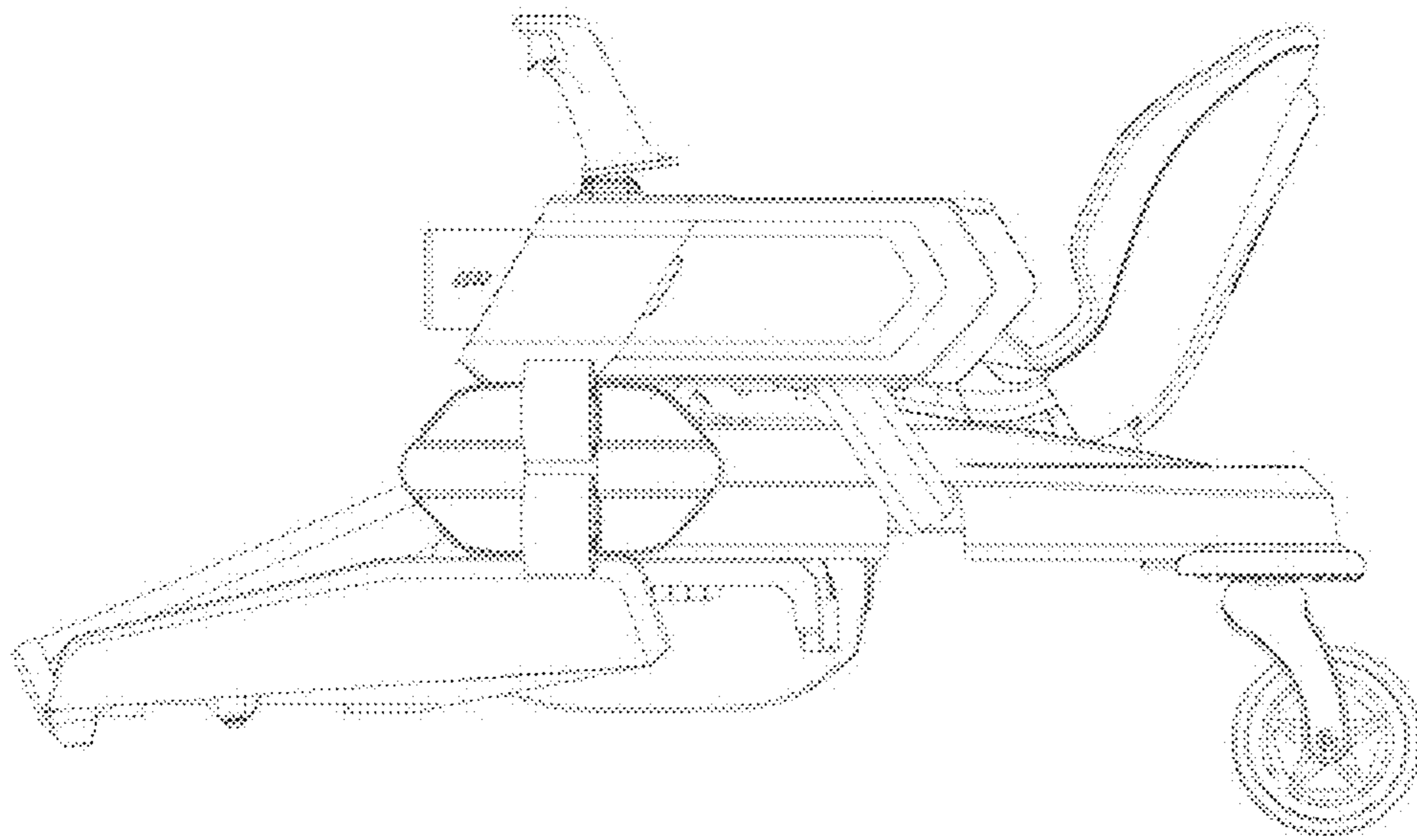
5.2



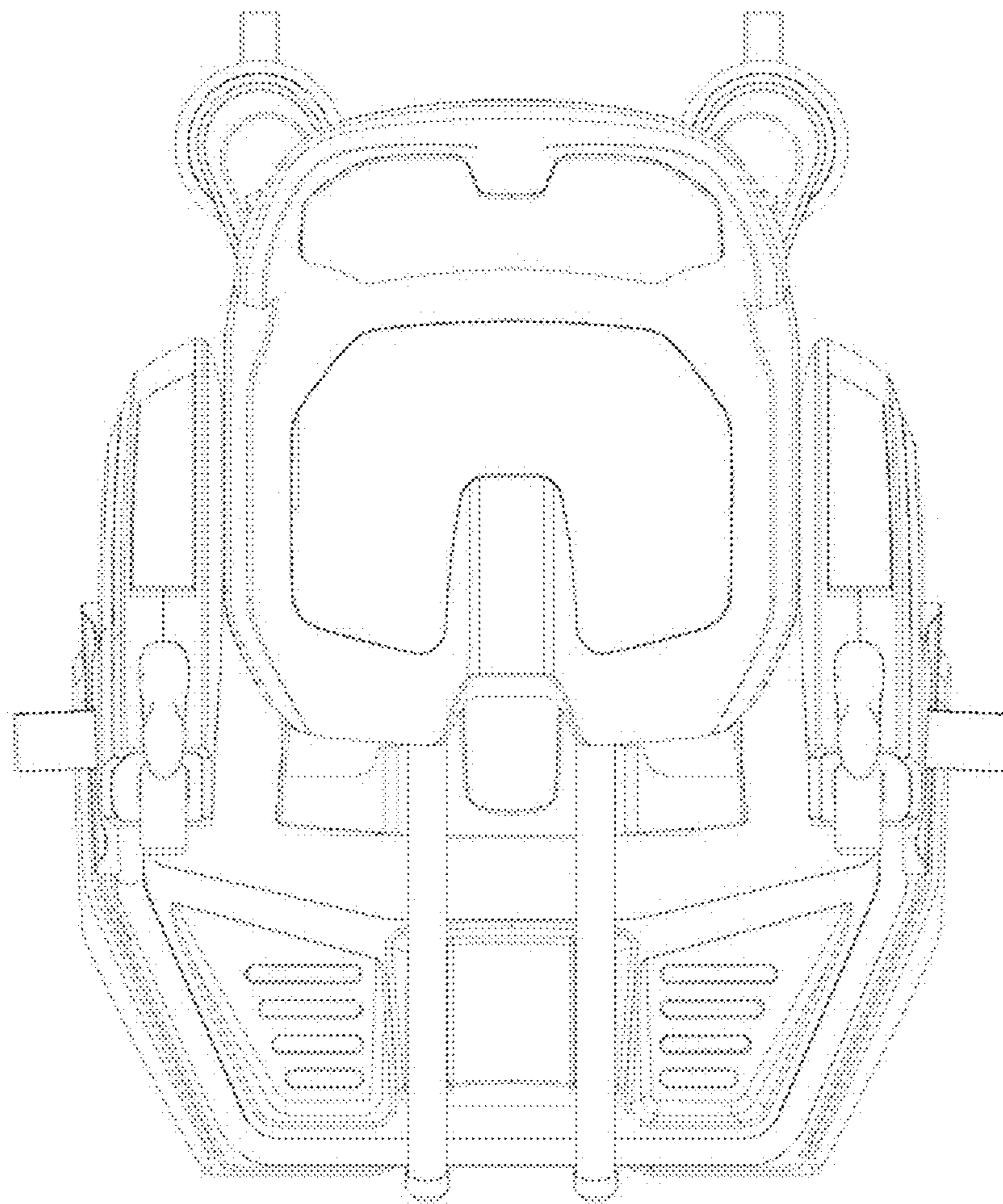
5.3



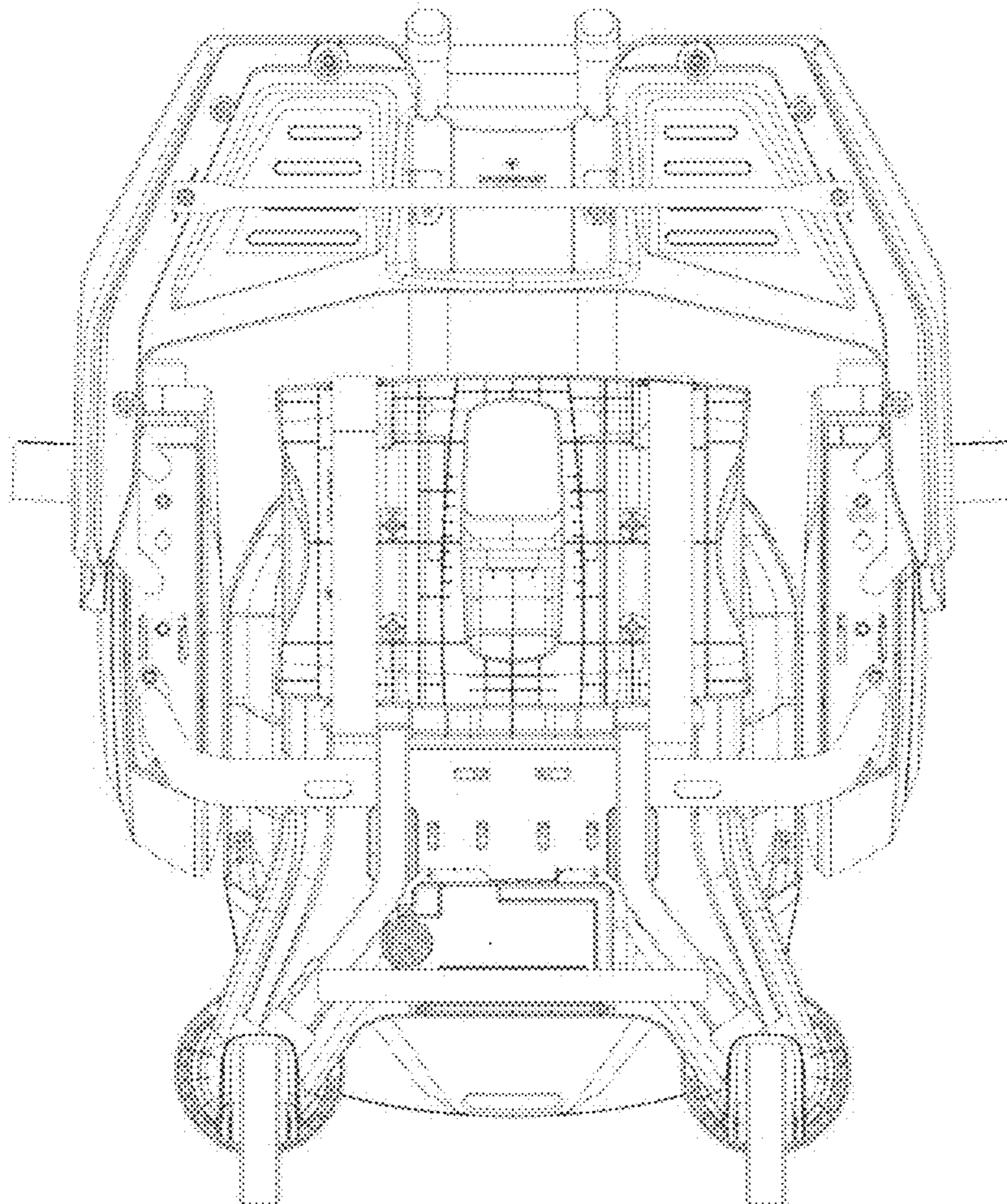
5.4



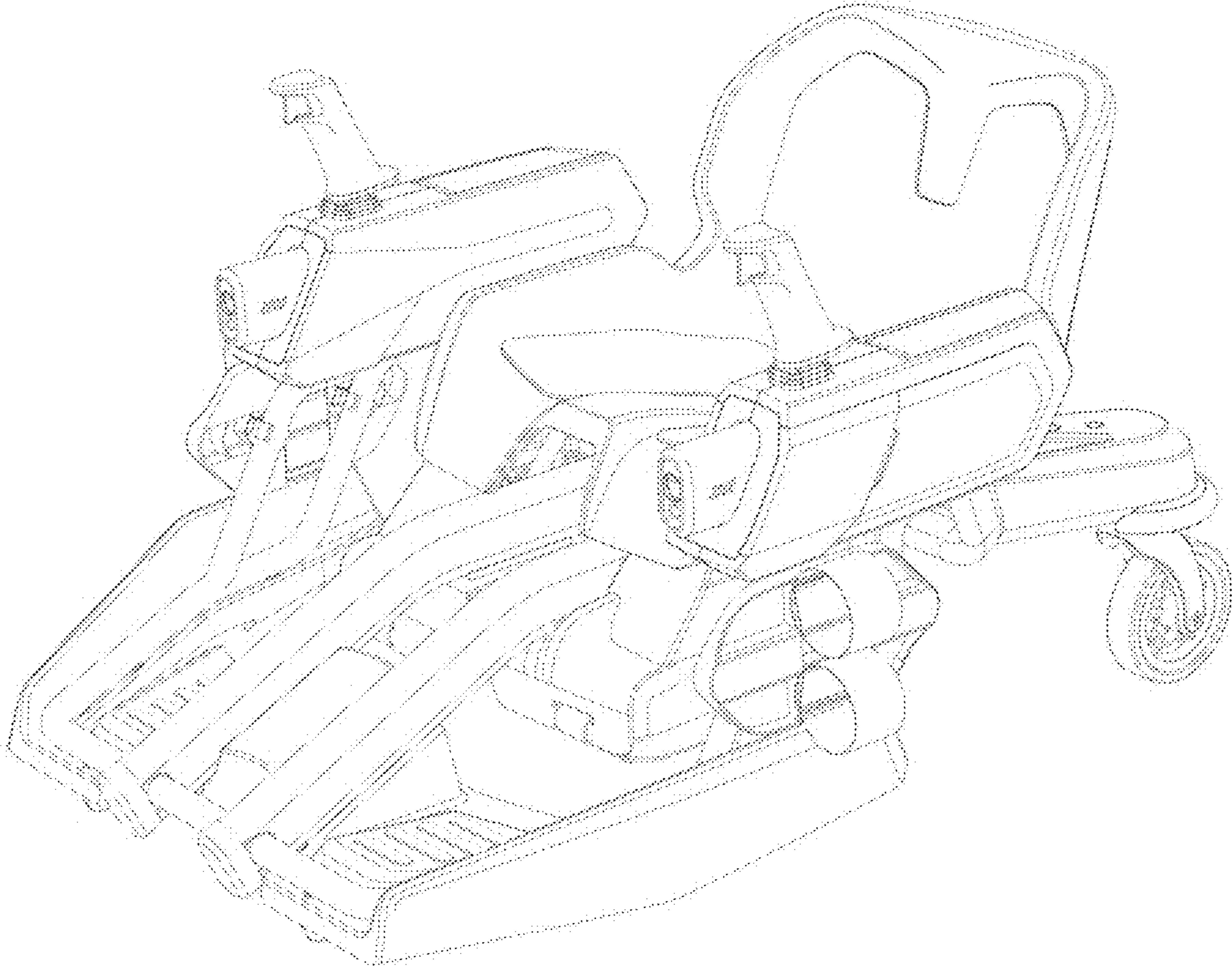
5.5



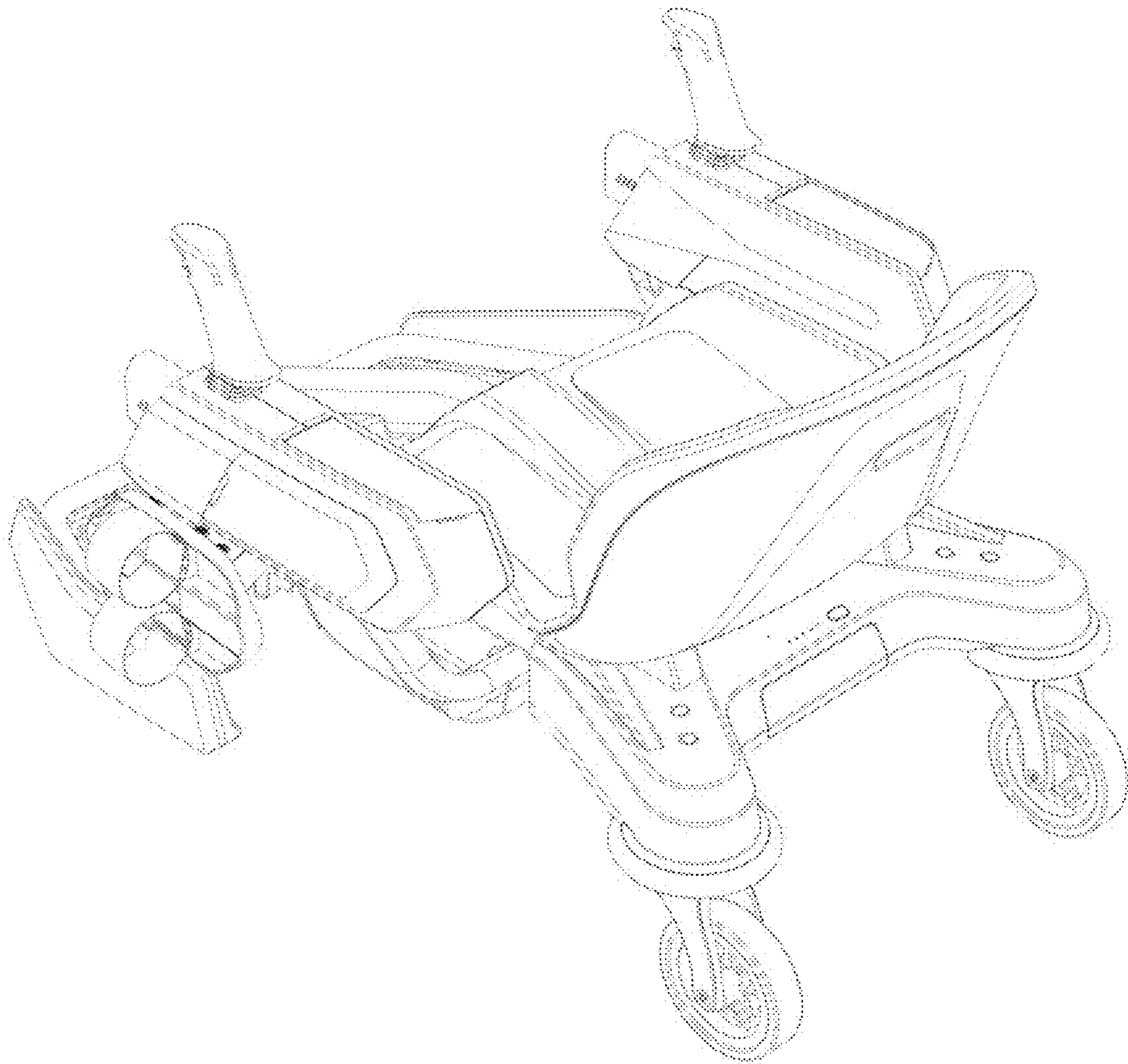
5.6



5.7



5.8



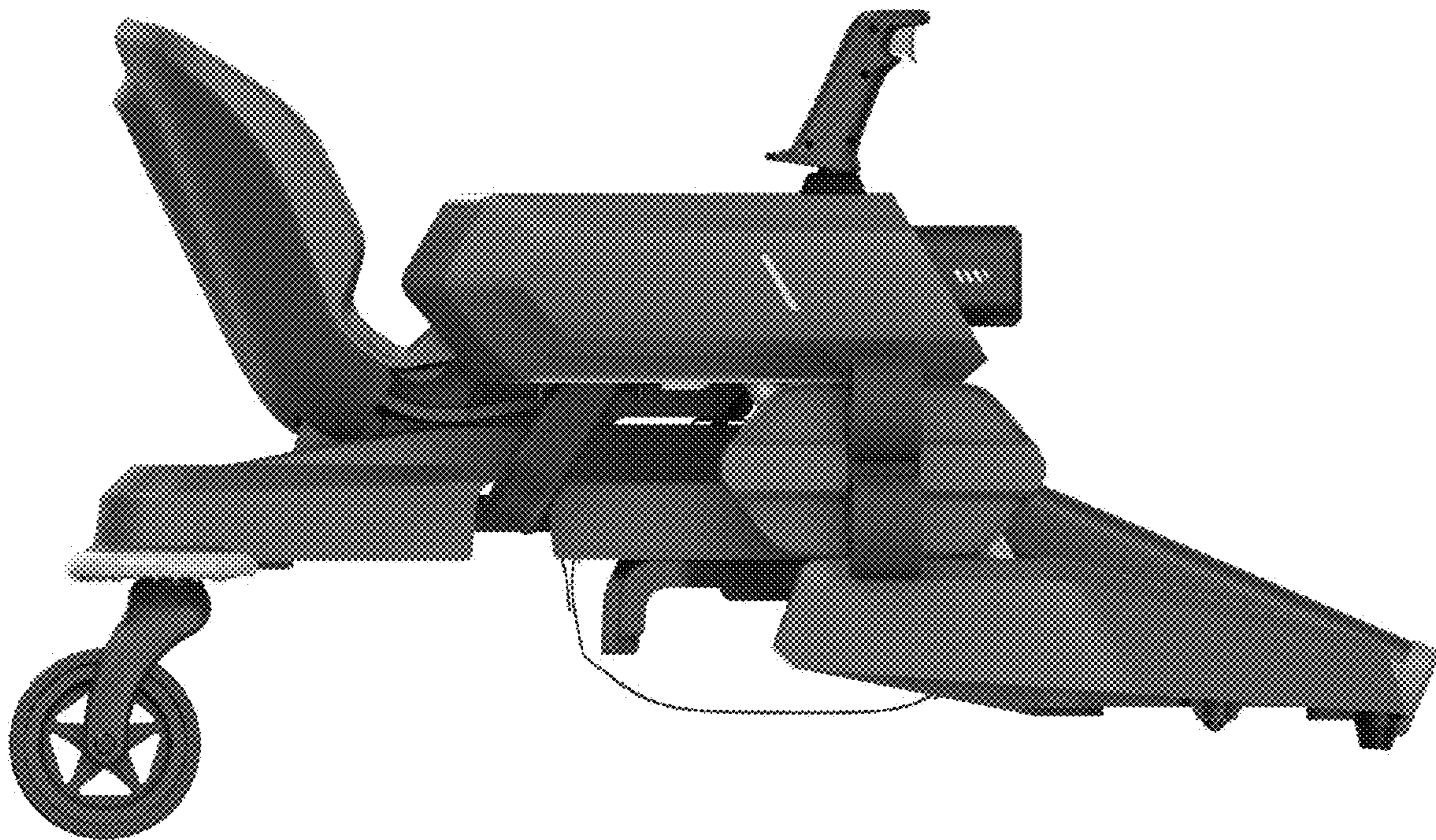
6.1



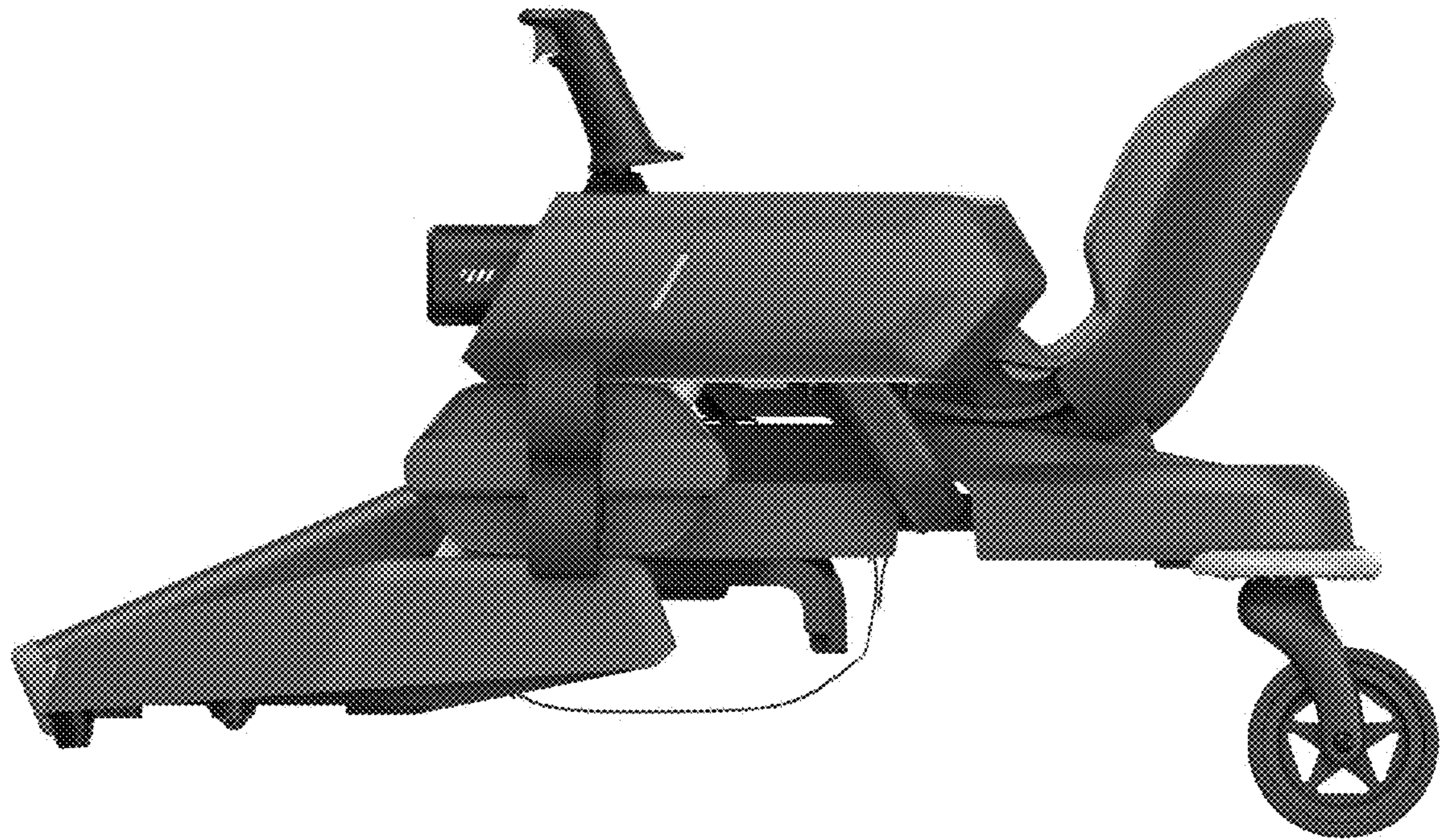
6.2



6.3



6.4



6.5



6.6



6.7



6.8



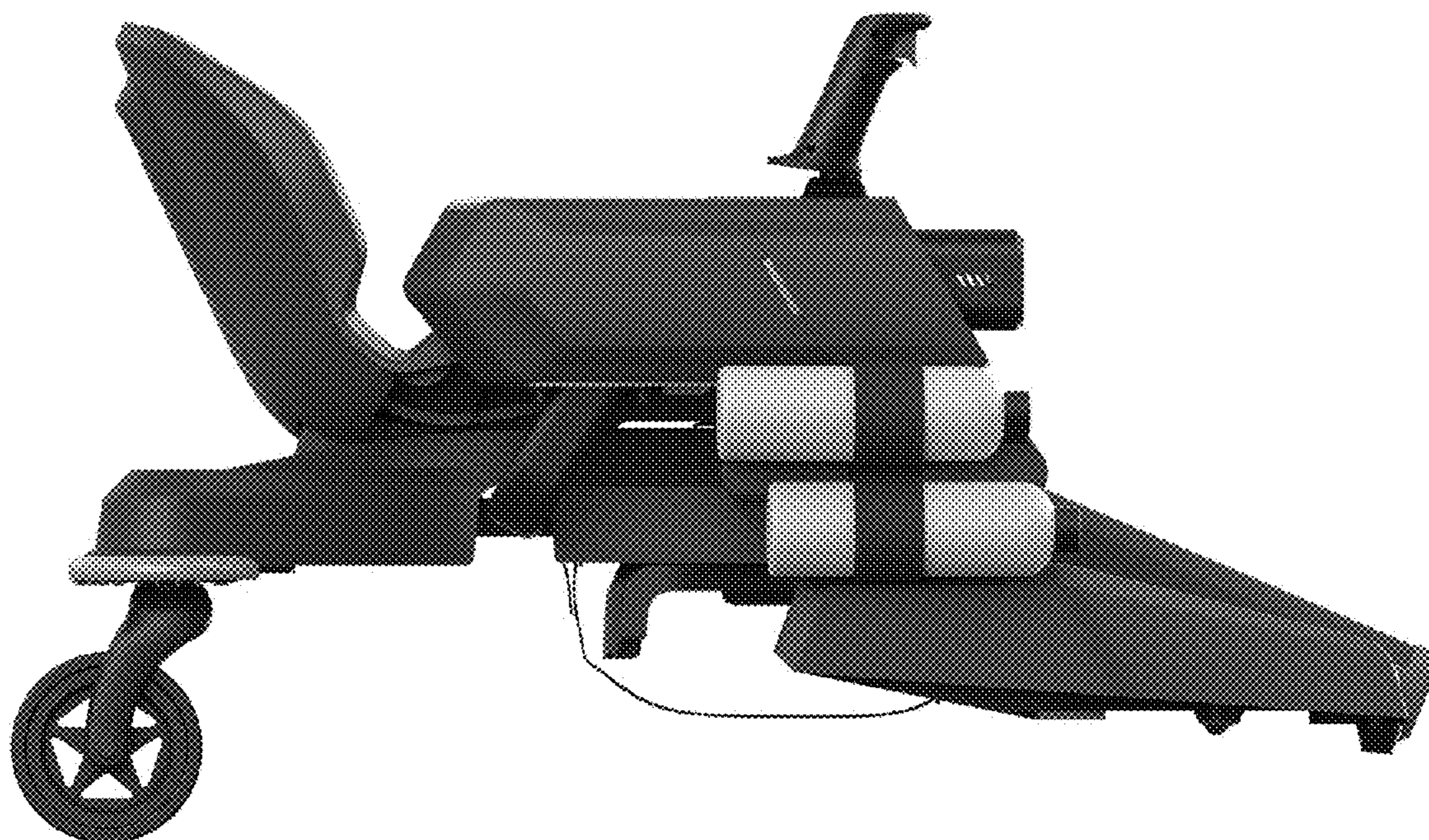
7.1



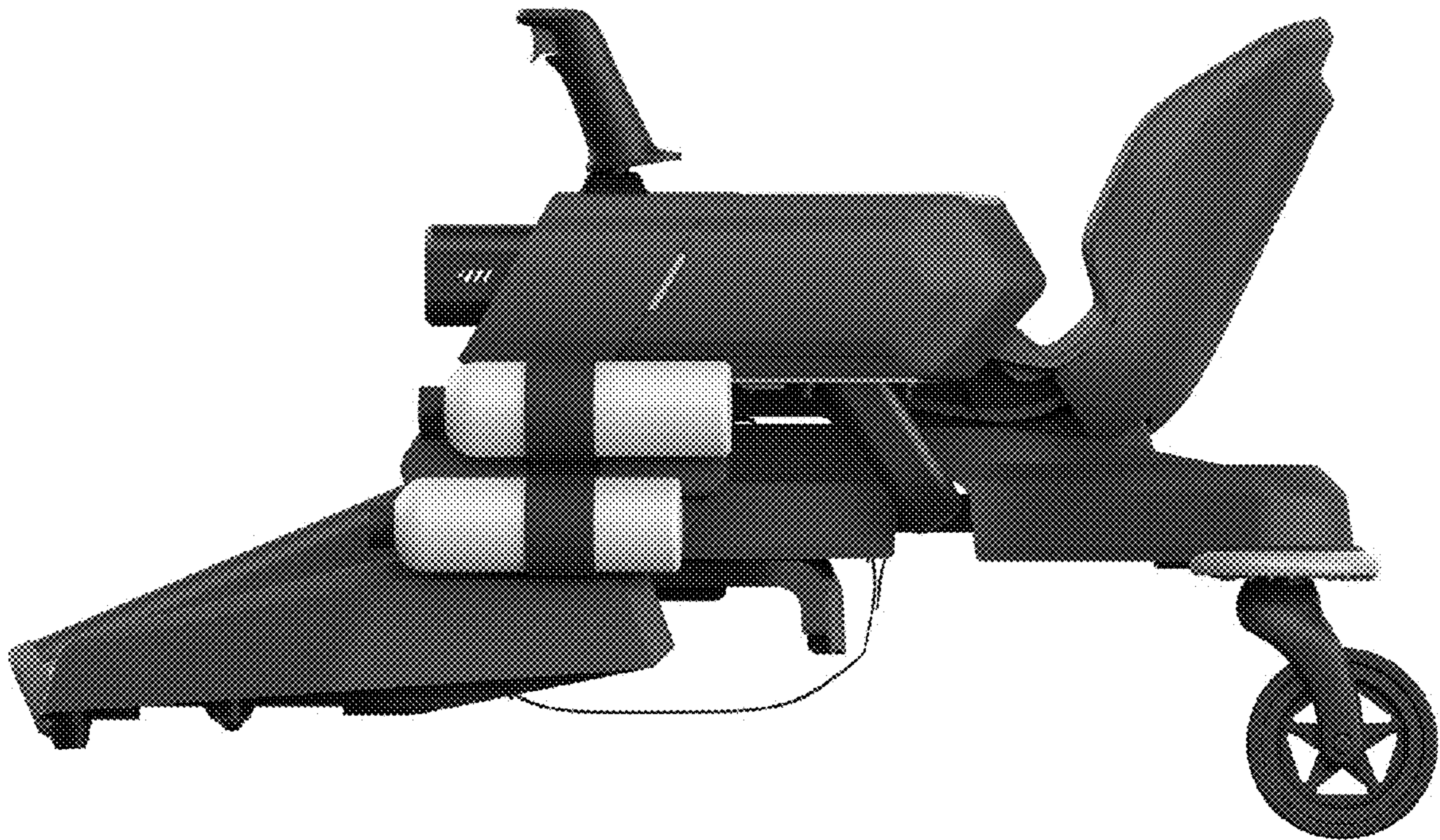
7.2



7.3



7.4



7.5



7.6



7.7



7.8

