



US00D978736S

(12) **United States Design Patent** (10) **Patent No.:** **US D978,736 S**
Gu (45) **Date of Patent:** **** Feb. 21, 2023**

(54) **TOE CLIP**
(71) Applicant: **Haidong Gu**, Pomona, CA (US)
(72) Inventor: **Haidong Gu**, Pomona, CA (US)
(73) Assignee: **CYCLINGDEAL USA, INC.**, Pomona, CA (US)

D323,478 S * 1/1992 Ueda B62M 3/083
D12/125
5,078,026 A * 1/1992 Giffin B62M 3/083
74/594.6
5,737,977 A * 4/1998 Surdi B62M 3/083
74/594.6

(Continued)

(**) Term: **15 Years**

FOREIGN PATENT DOCUMENTS

(21) Appl. No.: **29/780,794**

GB 6190558 * 2/2022

(22) Filed: **Apr. 27, 2021**

OTHER PUBLICATIONS

(51) **LOC (14) Cl.** **12-11**

YouTube, Fitting Pedal Straps, published Feb. 25, 2018 [retrieved Dec. 1, 2022]. Retrieved from the internet<https://www.youtube.com/watch?v=SH_olkVWOco> (Year: 2018).*

(52) **U.S. Cl.**
USPC **D12/125**

(Continued)

(58) **Field of Classification Search**
USPC D12/111, 113, 114, 117, 118;
D21/424-435, 663, 694, 768; D6/333
CPC B62M 3/086; A43B 5/14; A43C 11/14;
B62K 25/02; B62K 25/08; B62K 19/16;
B62K 21/06; B62K 21/02

Primary Examiner — Joseph Kukella
Assistant Examiner — Lavon M. Amerson

See application file for complete search history.

(57) **CLAIM**

(56) **References Cited**

The ornamental design for a toe clip, as shown and described.

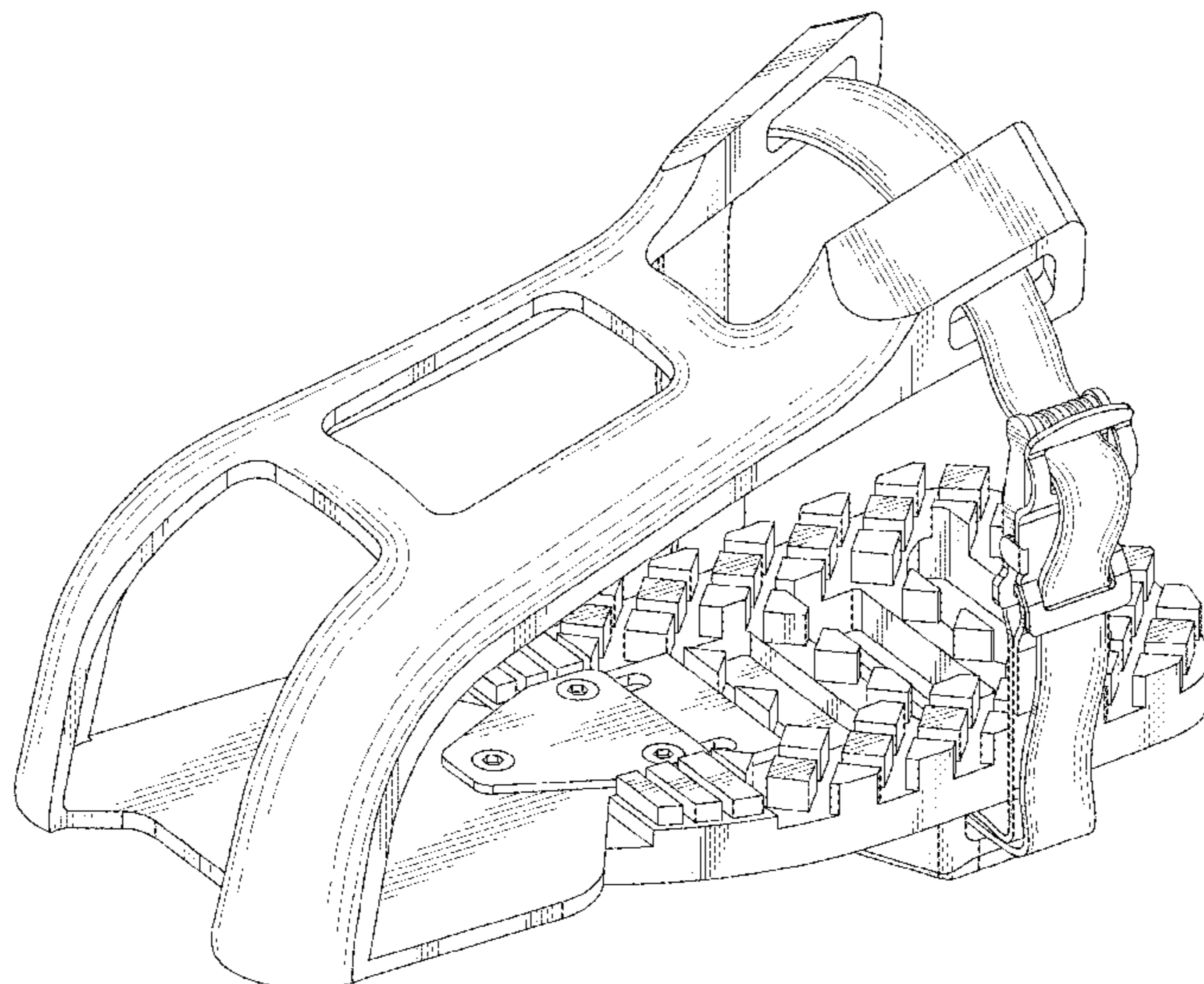
U.S. PATENT DOCUMENTS

DESCRIPTION

3,808,910 A * 5/1974 Desbois B62M 3/083
D12/125
D262,873 S * 2/1982 Okajima B62M 3/083
D12/125
D275,846 S * 10/1984 Buchanan, Jr. B62M 3/083
D12/125
D302,259 S * 7/1989 Konzorr B62M 3/08
D12/125
4,856,211 A * 8/1989 Phillips A43B 5/14
36/131
4,870,873 A * 10/1989 Tackles A43B 5/14
74/594.6
D308,840 S * 6/1990 Tackles B62M 3/083
D12/125
4,953,425 A * 9/1990 Barefoot B62M 3/083
74/594.6

FIG. 1 is a front-right-top perspective view of the toe clip showing my new design;
FIG. 2 is a front elevational view thereof;
FIG. 3 is a rear front elevational view thereof;
FIG. 4 is a left side elevational view thereof;
FIG. 5 is a right side elevational view thereof;
FIG. 6 is a top plan view thereof;
FIG. 7 is a bottom plan view thereof;
FIG. 8 is a perspective view from another angle of view thereof; and,
FIG. 9 is a perspective view from the other angle of view thereof.

1 Claim, 9 Drawing Sheets



(56)

References Cited

U.S. PATENT DOCUMENTS

D498,441 S * 11/2004 Catanescu A43B 5/14
 D12/114
 7,938,040 B2 * 5/2011 Deng B62M 3/08
 74/594.6
 10,730,583 B2 * 8/2020 Donahue B62M 3/083
 D945,936 S * 3/2022 Gu B62M 3/083
 D12/125
 D963,075 S * 9/2022 Matsushita B62M 3/083
 D21/663
 2002/0189395 A1 * 12/2002 Vito B62M 3/083
 74/594.6
 2016/0375953 A1 * 12/2016 Chen B62J 45/421
 74/594.4
 2019/0054977 A1 * 2/2019 Golesh B62M 3/086

OTHER PUBLICATIONS

Amazon, Cycling Deal Bike Bicycle Toe Clips Cage Only, published Dec. 11, 2020 [retrieved Dec. 1, 2022]. Retrieved from the internet<<https://www.amazon.com/CyclingDeal-Compatible-Peloton-Bike-Clips/dp/B08Q36BVS7>> (Year: 2020).*

Amazon, Venzo Compatible with Delta Bike and Bike + Pedal Toe Clips Cage, published Sep. 5, 2022 [retrieved Dec. 1, 2022]. Retrieved from the internet<<https://www.amazon.com/dp/B0BD3VH4WZ>> (Year: 2022).*

YouTube, How to Clip Out Toe Cages, published Nov. 2, 2022 [retrieved Dec. 1, 2022]. Retrieved from the internet<https://www.youtube.com/watch?v=tVsUcmyg_i4> (Year: 2022).*

* cited by examiner

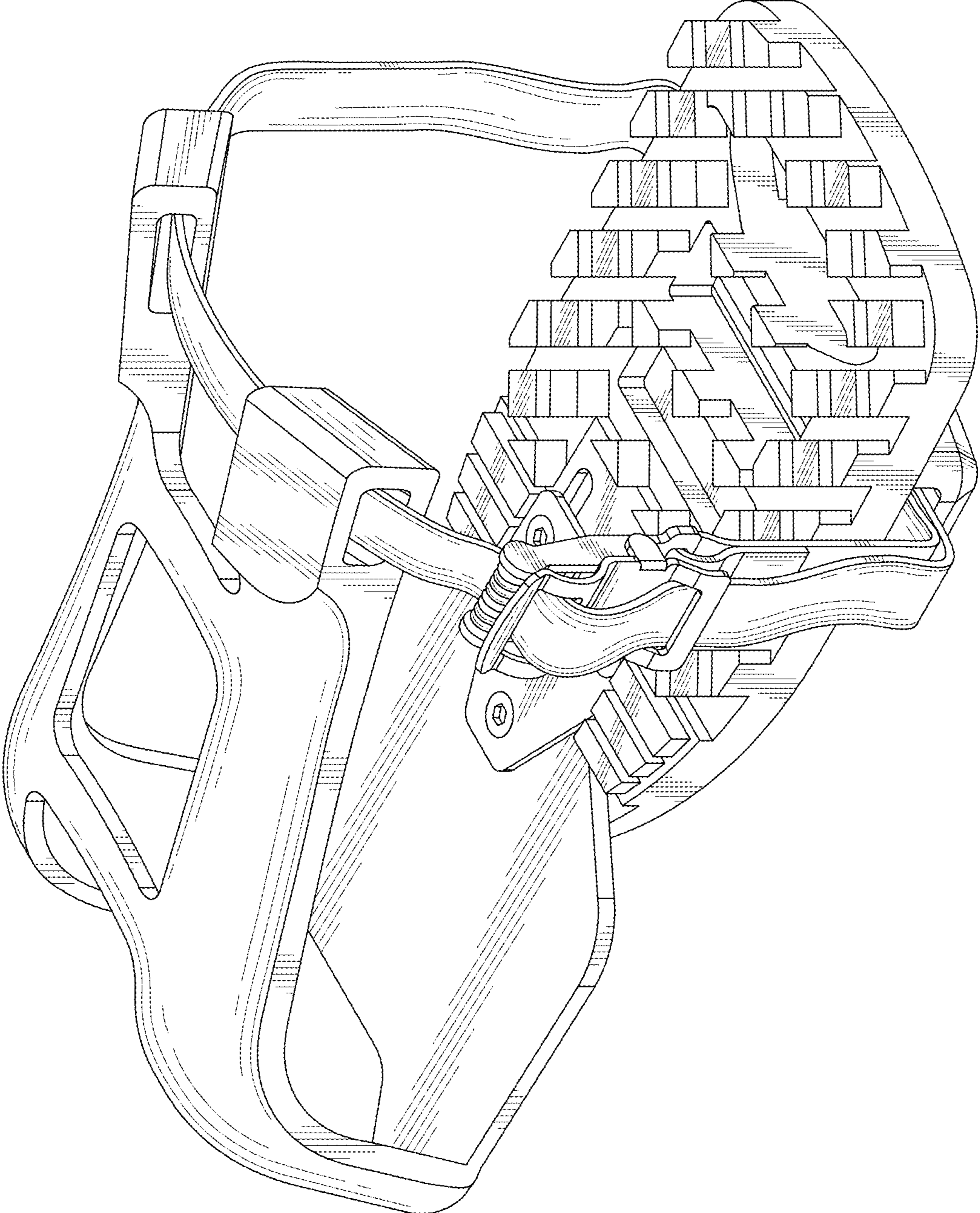


FIG.1

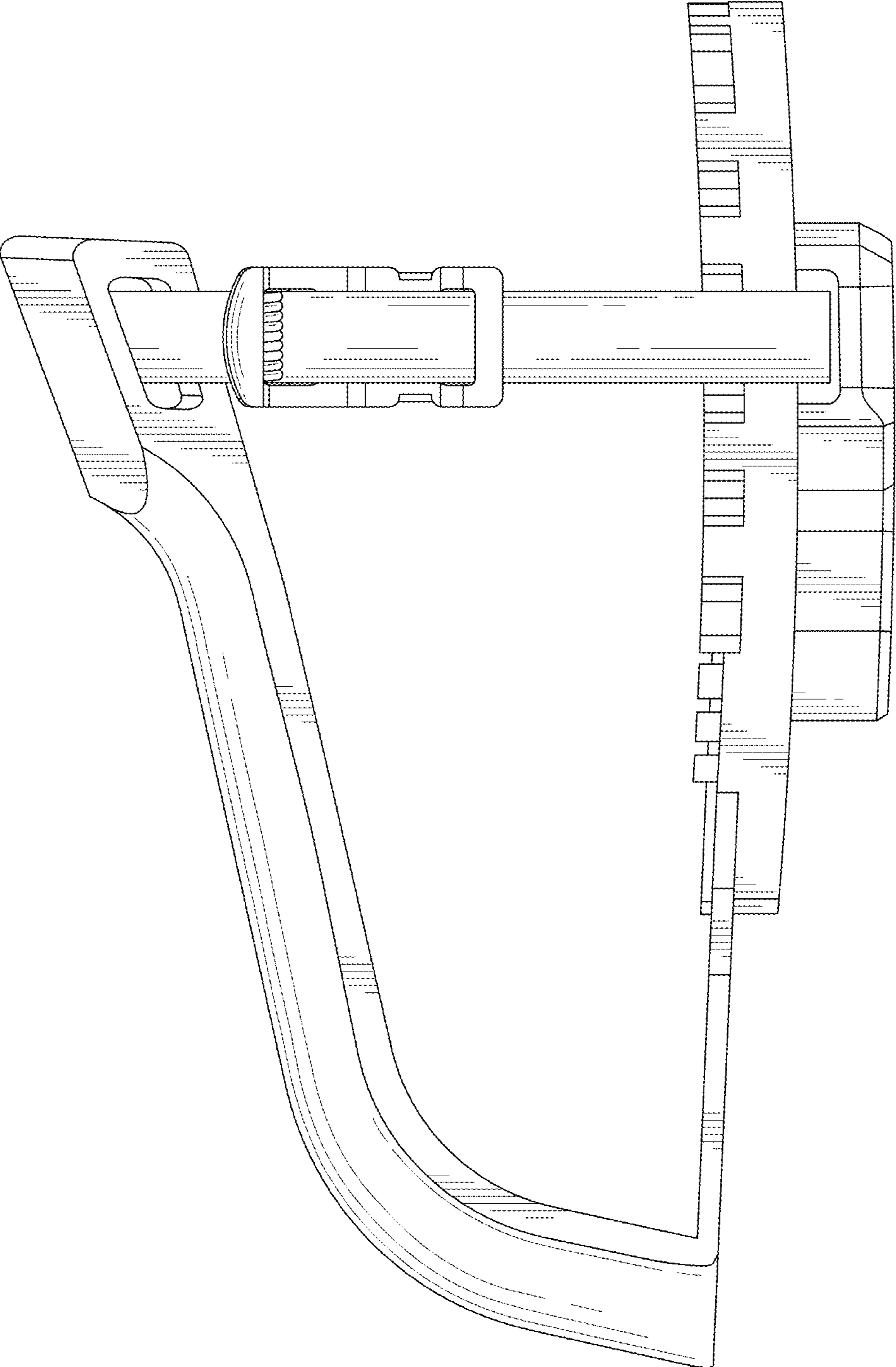


FIG.2

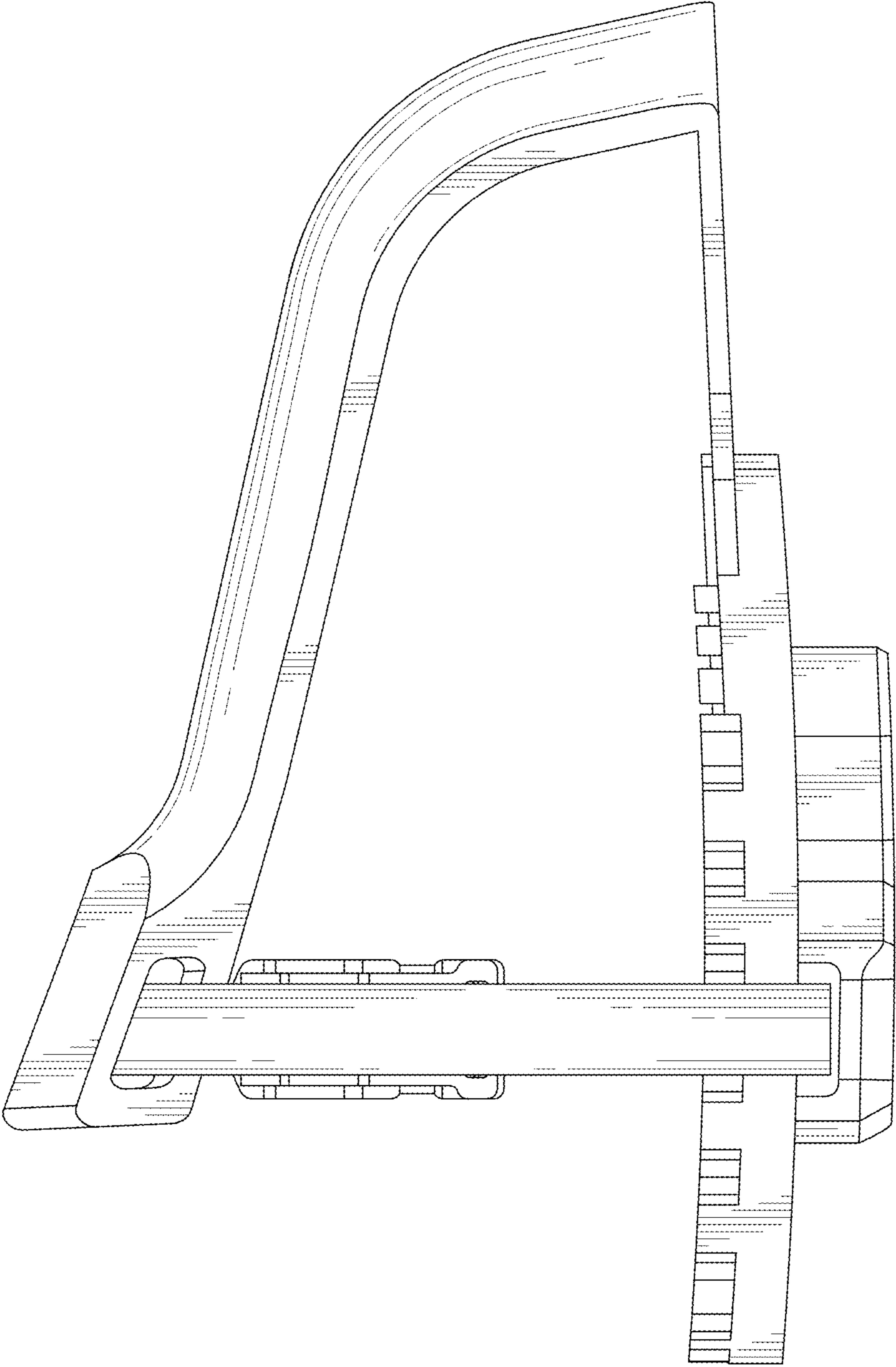


FIG.3

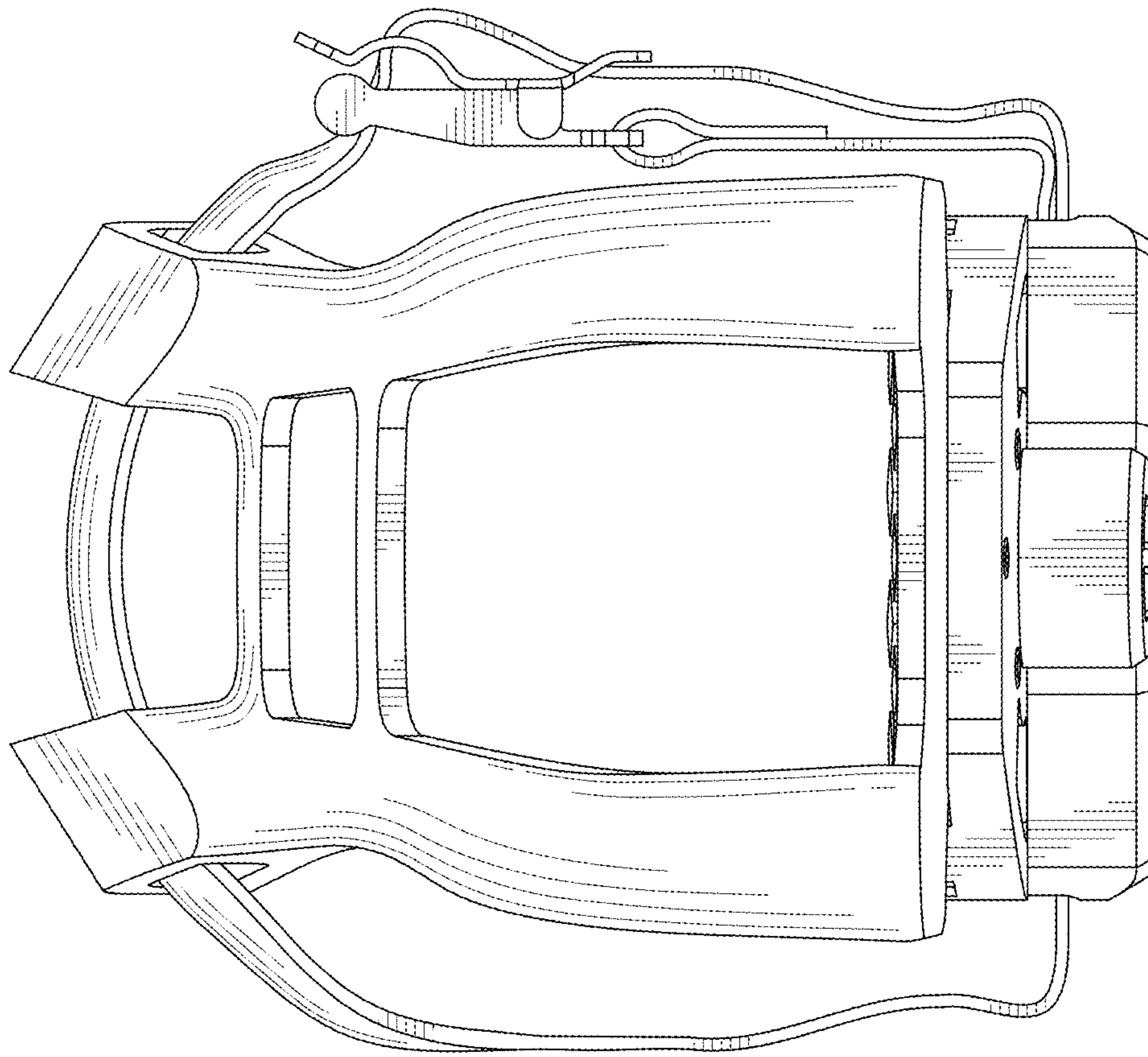


FIG.4

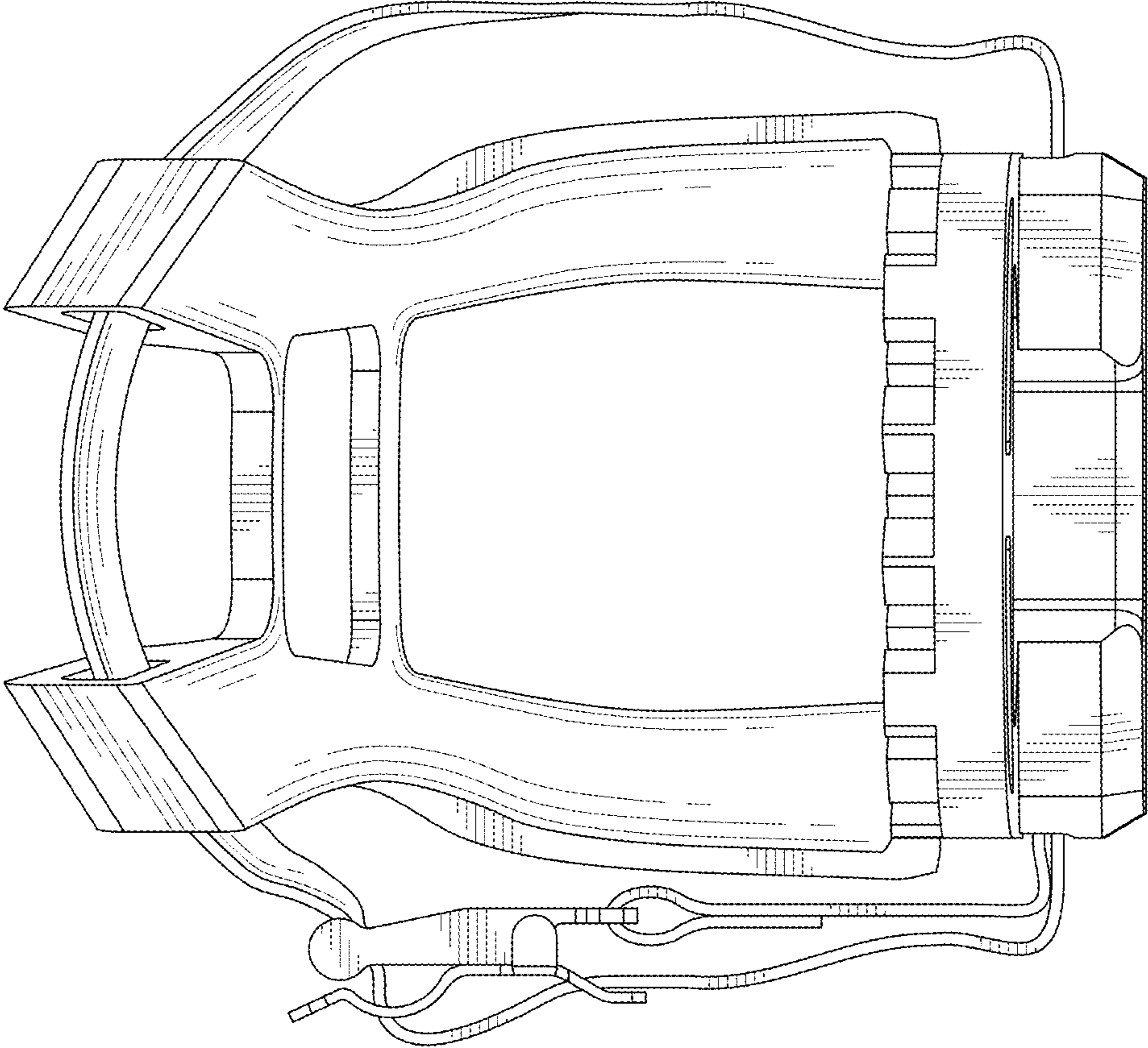


FIG.5

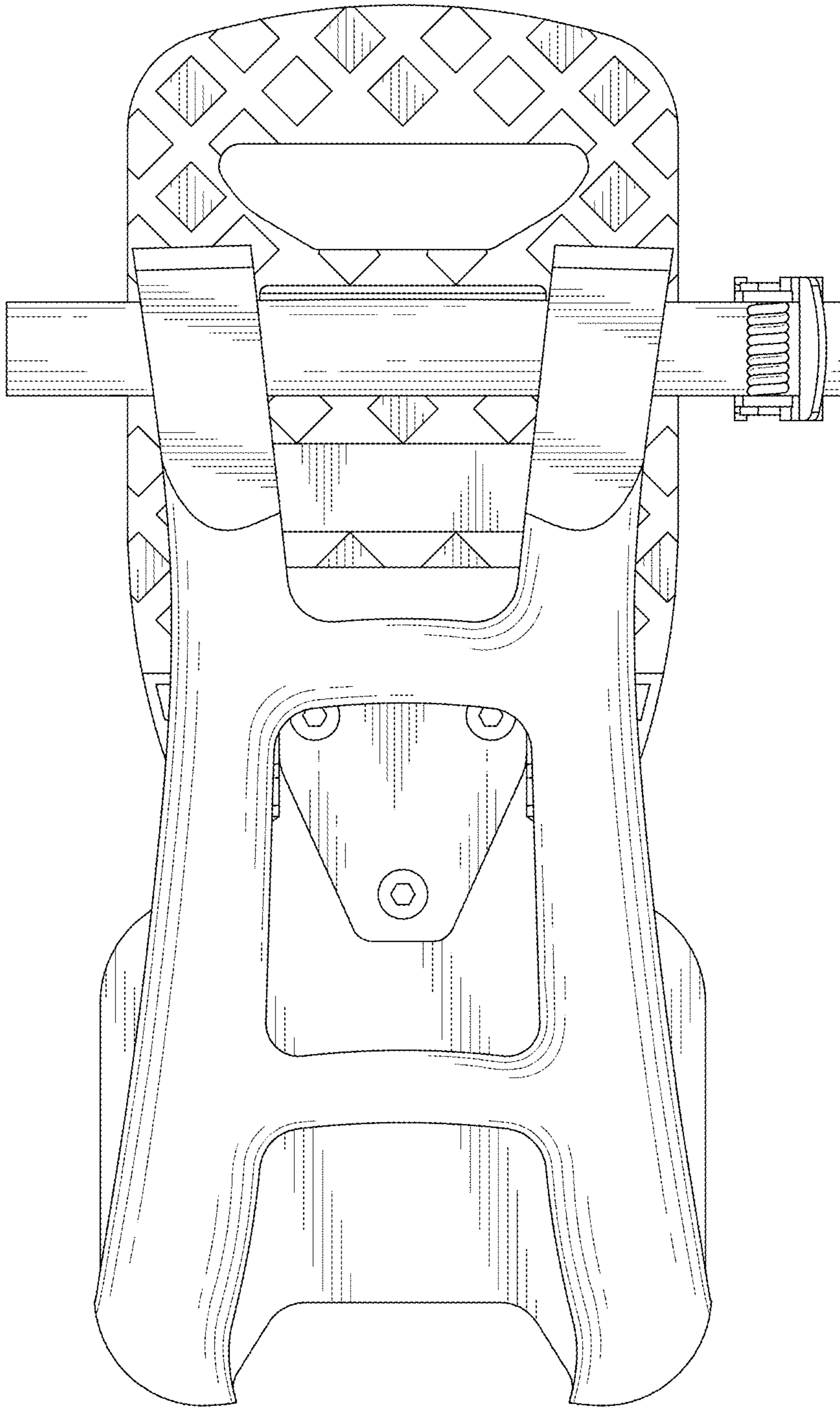


FIG.6

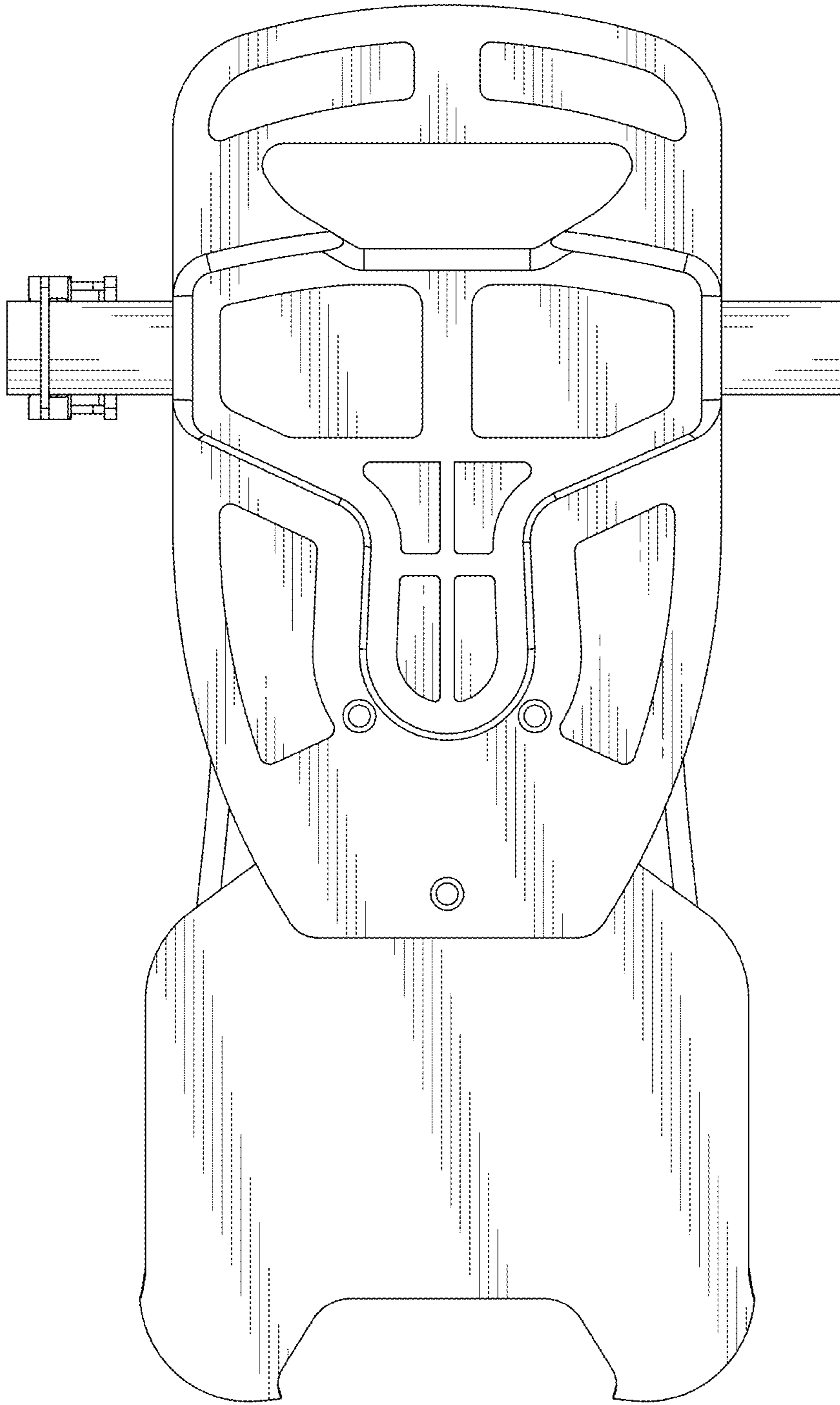


FIG.7

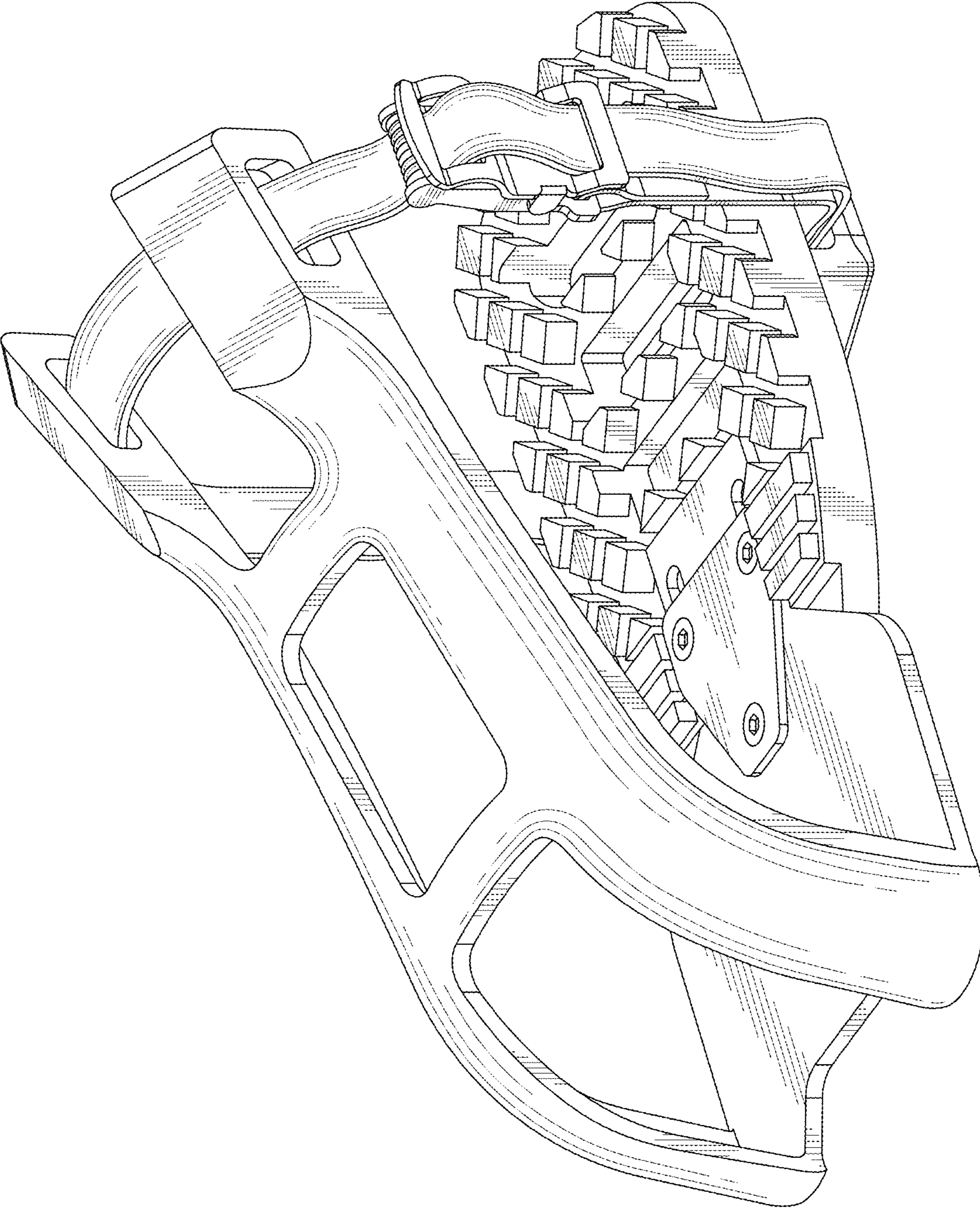


FIG.8

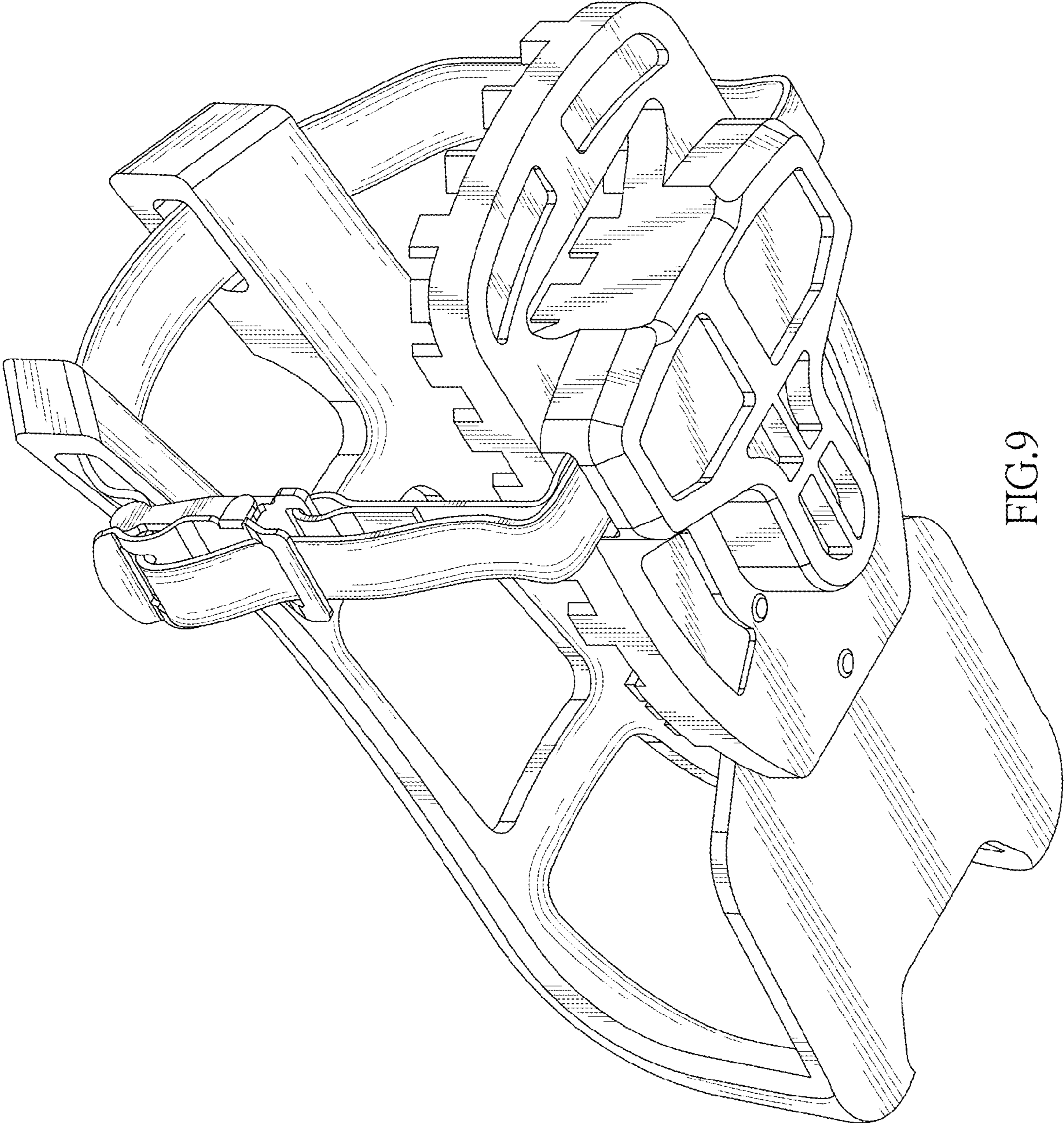


FIG. 9