



US00D978733S

(12) **United States Design Patent** (10) **Patent No.:** **US D978,733 S**  
**Sondors et al.** (45) **Date of Patent:** **\*\* Feb. 21, 2023**

- (54) **ELECTRIC BIKE FRAME**
- (71) Applicants: **Storm Sondors**, Malibu, CA (US);  
**Aaron Misener**, Chagrin Falls, OH (US)
- (72) Inventors: **Storm Sondors**, Malibu, CA (US);  
**Aaron Misener**, Chagrin Falls, OH (US)
- (73) Assignee: **SONDORS, Inc.**, Malibu, CA (US)
- (\*\*) Term: **15 Years**
- (21) Appl. No.: **29/773,764**
- (22) Filed: **Mar. 11, 2021**
- (51) **LOC (14) Cl.** ..... **12-11**
- (52) **U.S. Cl.**  
USPC ..... **D12/111**
- (58) **Field of Classification Search**  
USPC ..... D12/111, 117; D21/412, 414, 419,  
D21/423-428, 431-435  
CPC ..... B62K 3/00; B62K 3/02; B62K 3/06  
See application file for complete search history.

D960,053	S *	8/2022	Chen	.....	D12/111
D964,219	S *	9/2022	Xie	.....	D12/111
2013/0001000	A1 *	1/2013	Krieger	.....	B62M 6/45 180/206.3
2020/0062342	A1 *	2/2020	Talavasek	.....	B62M 6/50
2021/0214043	A1 *	7/2021	Nishimori	.....	H01R 12/58
2022/0126937	A1 *	4/2022	Song	.....	B62M 6/45
2022/0194519	A1 *	6/2022	Denysenko	.....	B62J 43/13

**OTHER PUBLICATIONS**

“Sondors is releasing a line of electric mopeds at an unbeatable price.” Input Mag., Oct. 18, 2020 [online], [retrieved on Sep. 29, 2022]. Retrieved from the Internet <URL: <https://www.inputmag.com/tech/sondors-madmods-are-electric-mopeds-at-a-reasonable-price>>.\*

(Continued)

*Primary Examiner* — Darlington Ly  
(74) *Attorney, Agent, or Firm* — Lewis Kohn & Walker LLP; Kent M. Walker; Kari Moyer-Henry

(57) **CLAIM**

The ornamental design for an electric bike frame, as shown and described.

**DESCRIPTION**

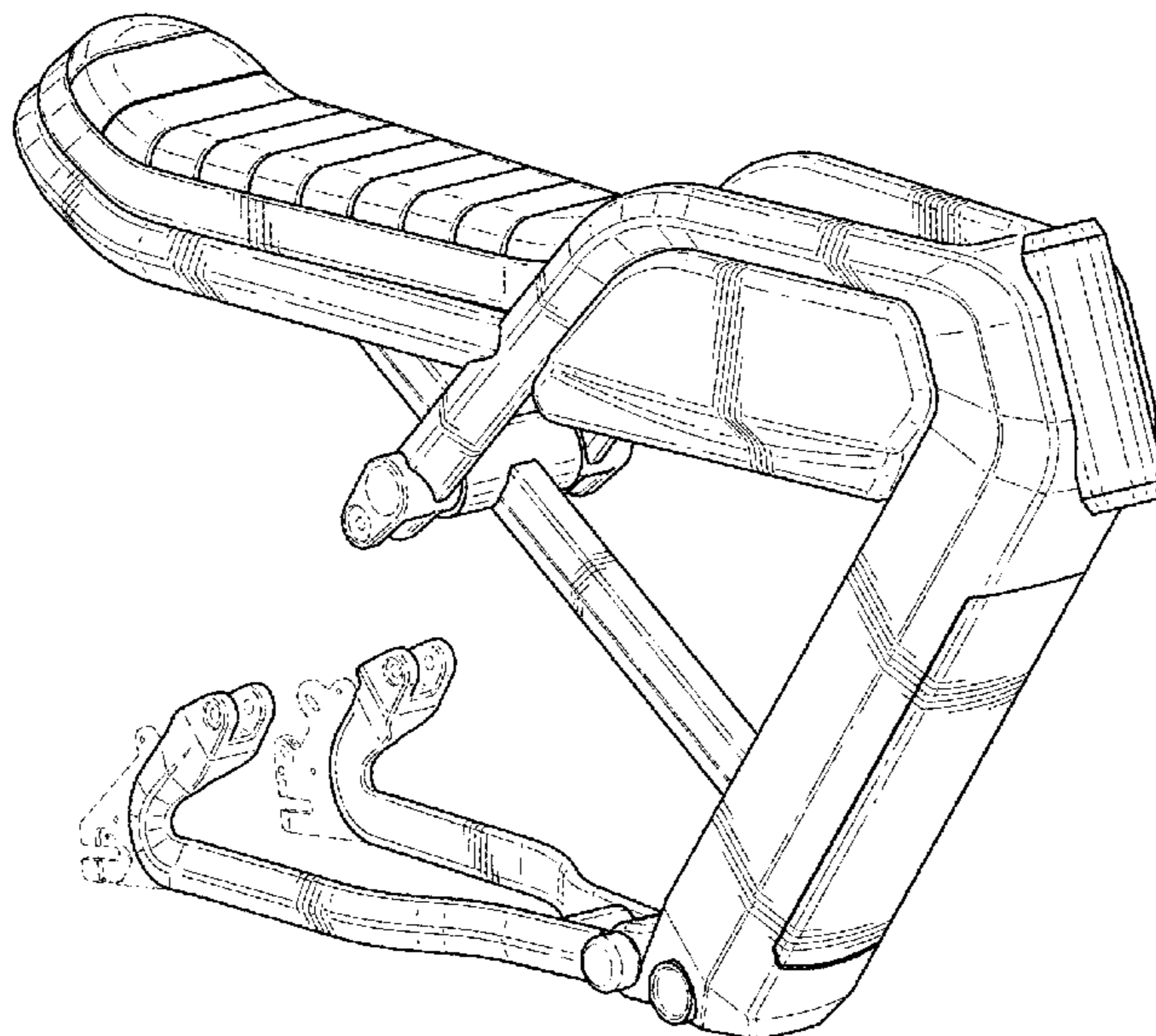
FIG. 1 is a front and right side perspective view of an electric bike frame embodying our new design; FIG. 2 is a right side elevation view thereof; FIG. 3 is a left side elevation view thereof; FIG. 4 is a front elevation view thereof; FIG. 5 is a rear elevation view thereof; FIG. 6 is a top plan view thereof; FIG. 7 is a bottom plan view thereof; and, FIG. 8 is a front and right side perspective view thereof as part of a complete bike. The broken lines in the drawings illustrate portions of the electric bike frame and environmental electric bike structures that form no part of the claimed design.

**1 Claim, 8 Drawing Sheets**

(56) **References Cited**

**U.S. PATENT DOCUMENTS**

7,963,357	B2 *	6/2011	Gulas	.....	B62K 25/283 180/220
D670,208	S *	11/2012	Frenzel	.....	D12/111
D797,609	S *	9/2017	Gonzalez-Gancedo Carrillo-Albornoz	.....	D12/111
D847,032	S *	4/2019	Yan	.....	D12/111
D920,853	S *	6/2021	von Schöning	.....	D12/111
D925,406	S *	7/2021	Lin	.....	D12/111
D929,268	S *	8/2021	Bass	.....	B62K 19/30 D12/111
D936,527	S *	11/2021	Okonsky	.....	D12/111
D940,010	S *	1/2022	Hu	.....	D12/111
D945,330	S *	3/2022	Ischepp	.....	D12/111
D950,423	S *	5/2022	Chen	.....	D12/111



(56)

**References Cited**

OTHER PUBLICATIONS

Micah Toll. "First ride: We tested the new Sondors e-bikes: Rockstar, Cruiser, LX, and MadMods e-moped." Electrek., Jan. 13, 2021 [online], [retrieved on Sep. 29, 2022]. Retrieved from the Internet <URL: <https://electrek.co/2021/01/13/first-ride-testing-sondors-e-bikes-rockstar-cruiser-lx-madmods-e-moped/>>.\*

\* cited by examiner

**FIG. 1**

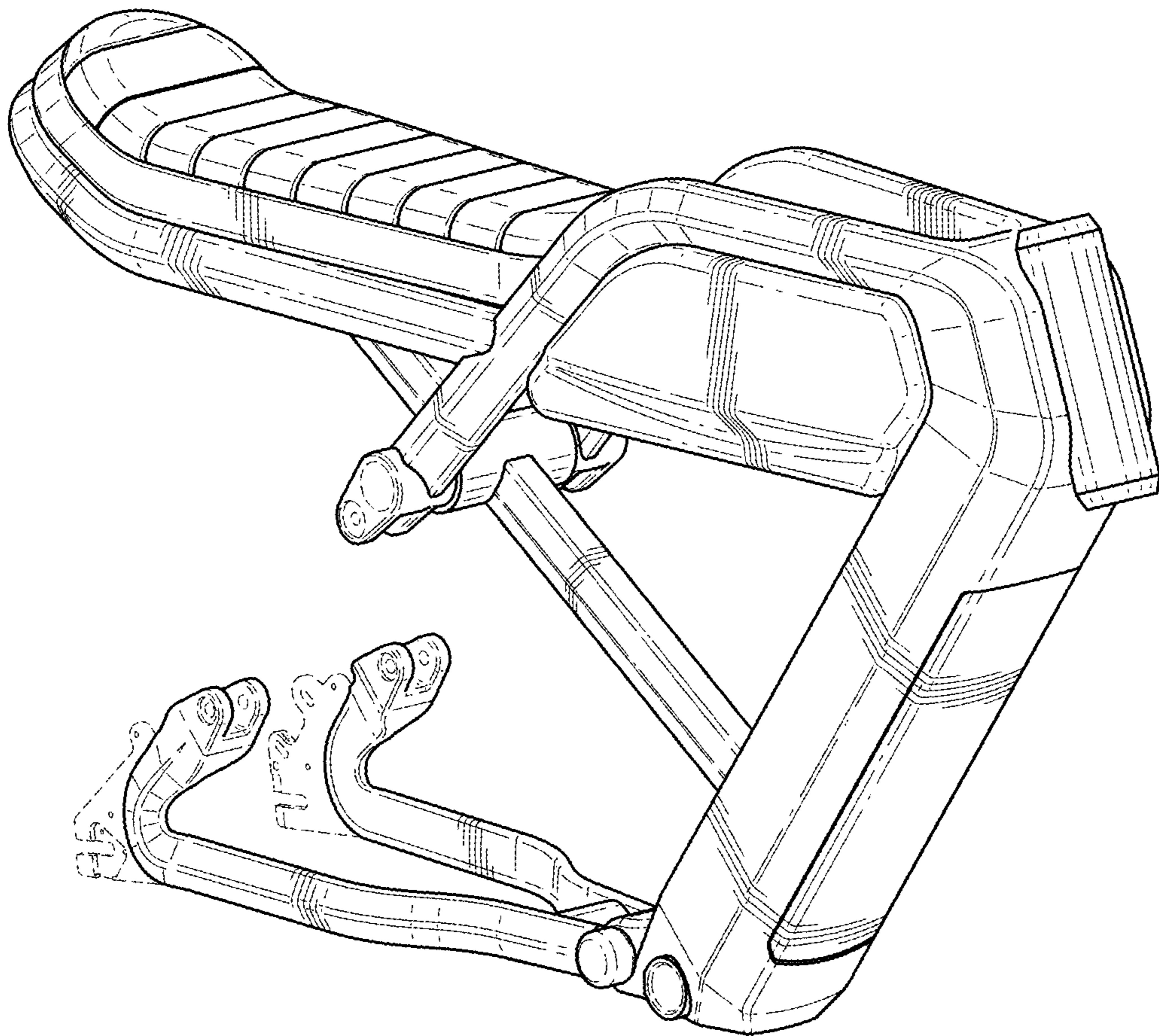


FIG. 2

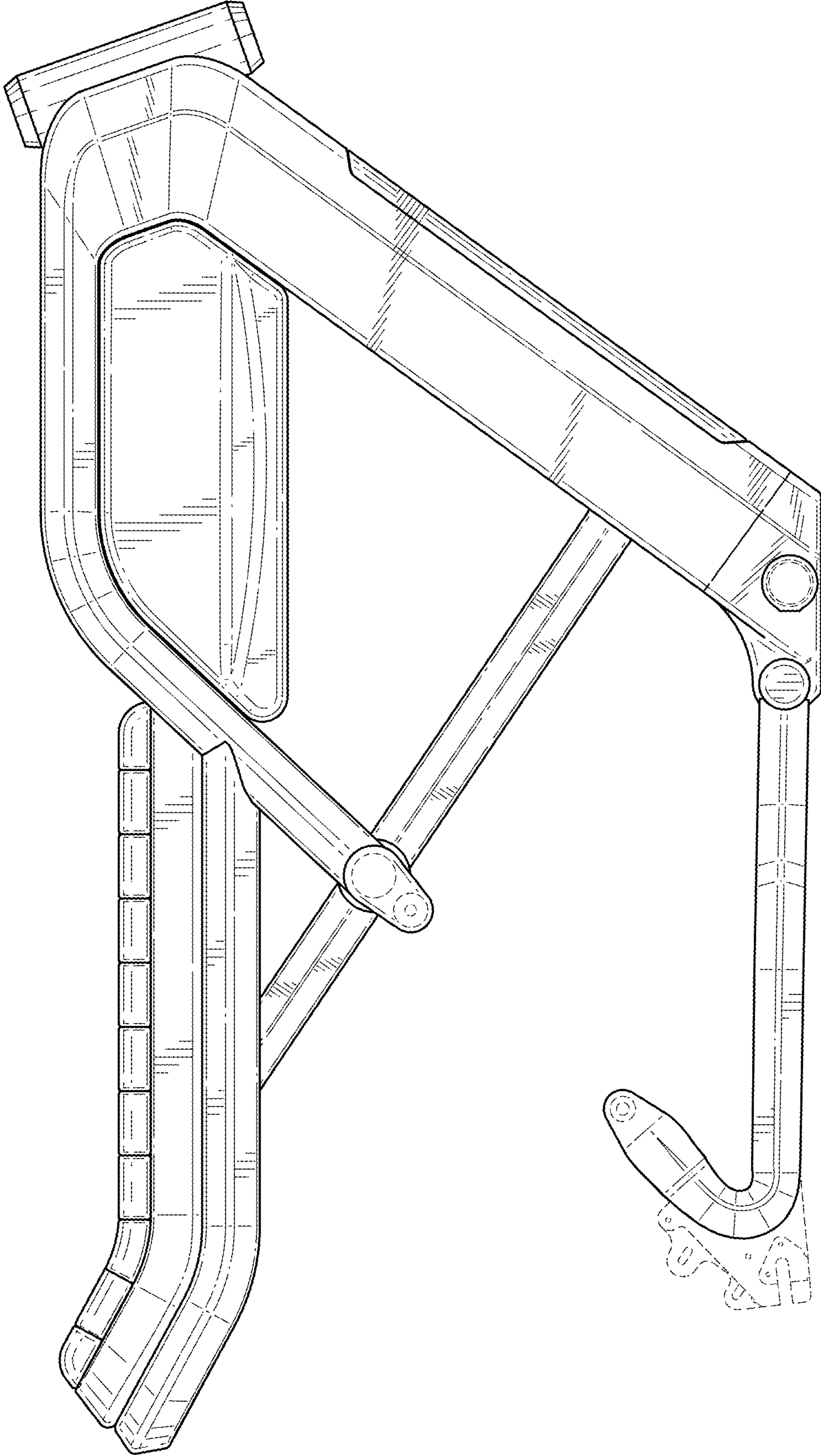
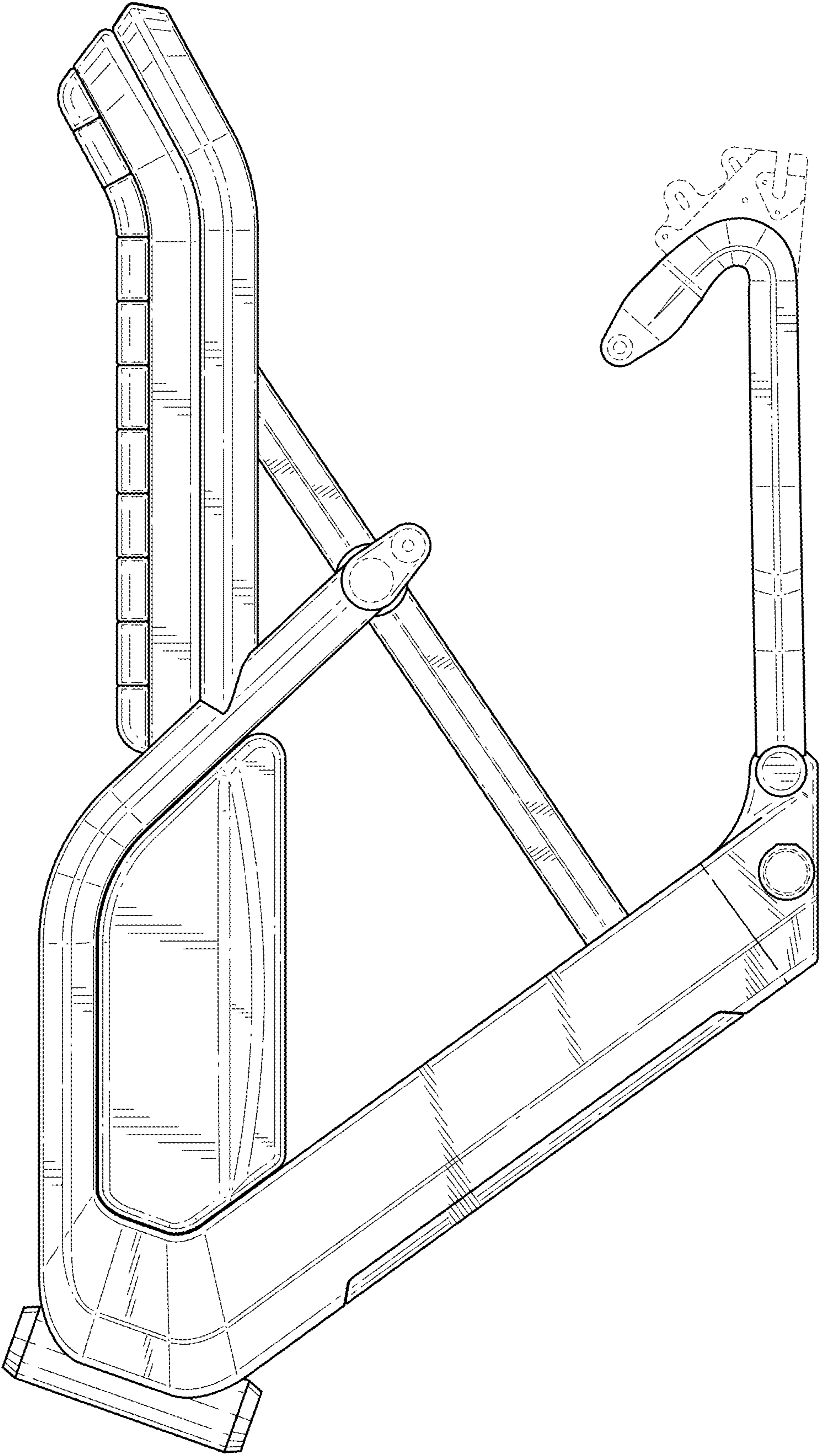
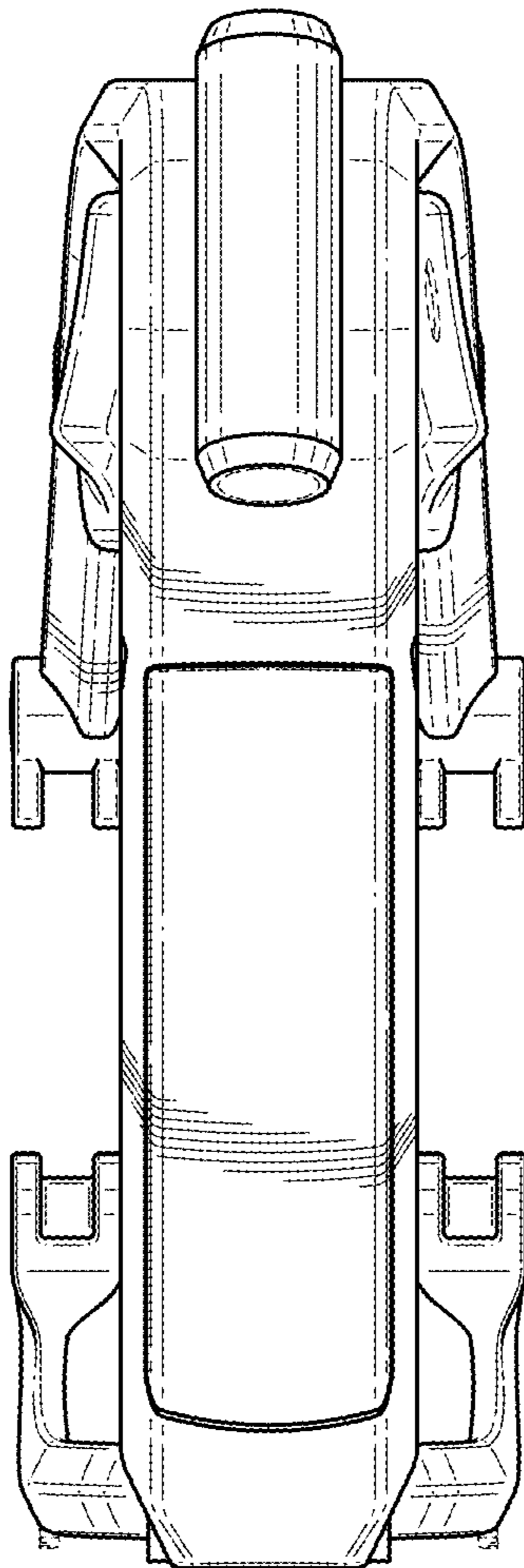


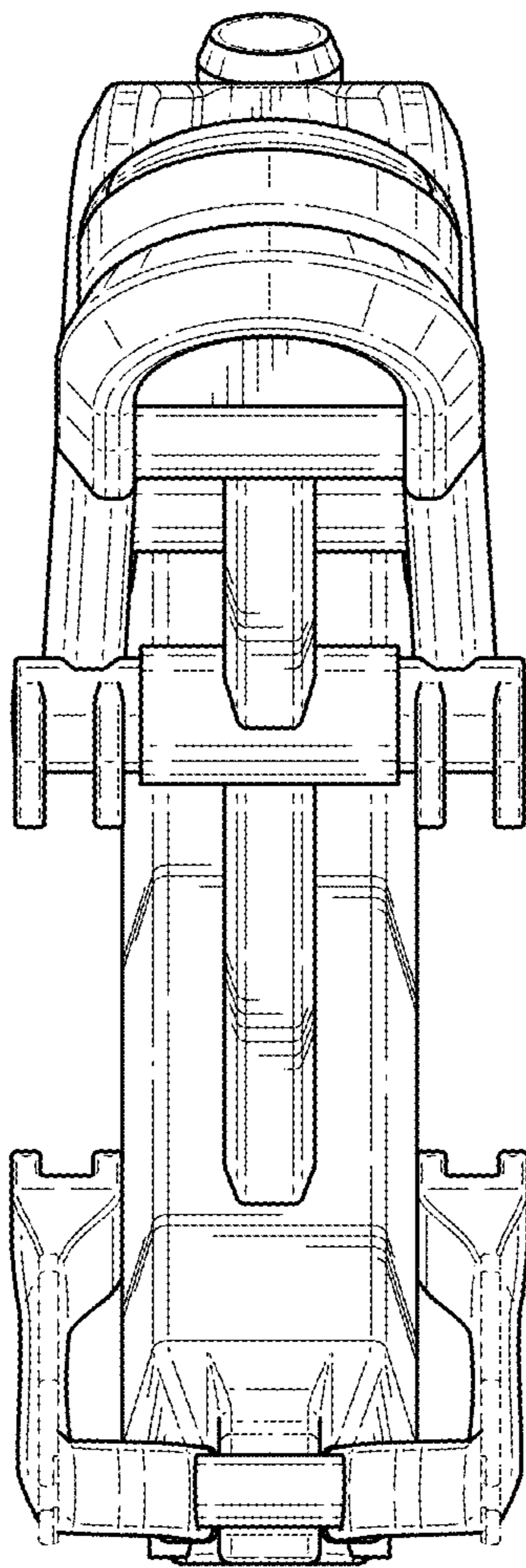
FIG. 3

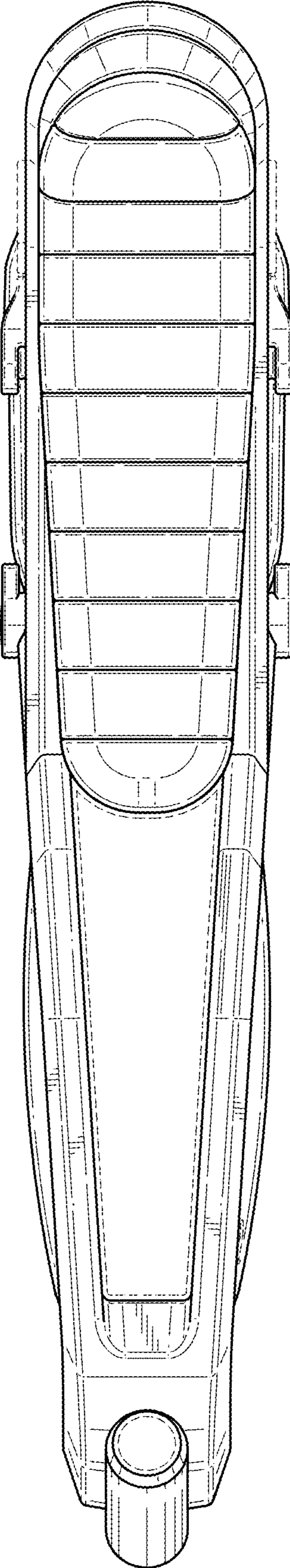


**FIG. 4**



**FIG. 5**

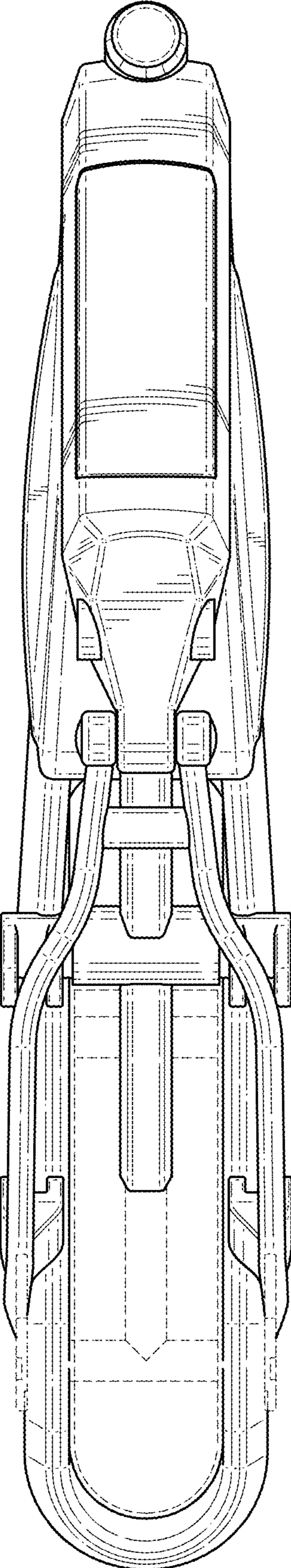




**FIG. 6**



*FIG. 7*



**FIG. 8**

