



US00D978726S

(12) **United States Design Patent**
Debellis

(10) **Patent No.:** **US D978,726 S**
(45) **Date of Patent:** **** Feb. 21, 2023**

- (54) **MOTOR VEHICLE BODY, TOY REPLICA, AND/OR OTHER REPLICA**
- (71) Applicant: **GM GLOBAL TECHNOLOGY OPERATIONS LLC**, Detroit, MI (US)
- (72) Inventor: **Magalie Debellis**, Beverly Hills, MI (US)
- (73) Assignee: **GM Global Technology Operations LLC**, Detroit, MI (US)
- (**) Term: **15 Years**
- (21) Appl. No.: **29/768,039**
- (22) Filed: **Jan. 27, 2021**
- (51) **LOC (14) Cl.** **12-08**
- (52) **U.S. Cl.**
USPC **D12/91**
- (58) **Field of Classification Search**
USPC D12/86, 90–92, 88, 164; D21/424, 433, D21/434, 533–535; 296/181.1–181.5, 296/183.1
CPC B62D 25/00; B62D 25/06; B62D 33/00; B62D 35/00
See application file for complete search history.

- D605,978 S 12/2009 Wolff et al.
- D608,249 S 1/2010 Peters
- D608,690 S 1/2010 Folden et al.
- D608,691 S 1/2010 Zak, Jr. et al.
- D609,608 S 2/2010 Boniface et al.
- D611,387 S 3/2010 Thompson et al.
- D611,879 S 3/2010 Kim et al.
- D612,297 S 3/2010 Peters et al.
- D613,645 S 4/2010 Song et al.
- D615,458 S 5/2010 Thompson et al.
- D618,595 S 6/2010 Ware et al.
- D623,090 S 9/2010 Cox et al.
- D627,262 S 11/2010 Ikeda et al.
- D635,488 S 4/2011 Phipps
- D644,147 S 8/2011 Suh et al.
- D644,567 S 9/2011 Kozub
- D657,718 S 4/2012 Zipfel et al.
- D659,052 S 5/2012 Ware et al.
- D659,053 S 5/2012 Ware et al.
- D668,182 S 10/2012 Barba Franco et al.

(Continued)

Primary Examiner — Melody N Brown

(57) **CLAIM**

The ornamental design for a motor vehicle body, toy replica and/or other replica, as shown and described.

DESCRIPTION

FIG. 1 is a front and left side perspective view of a motor vehicle body, toy replica and/or other replica showing my new design;

FIG. 2 is a rear and left side perspective view thereof;

FIG. 3 is a front elevation view thereof;

FIG. 4 is a left side elevation view thereof;

FIG. 5 is a right side elevation view thereof;

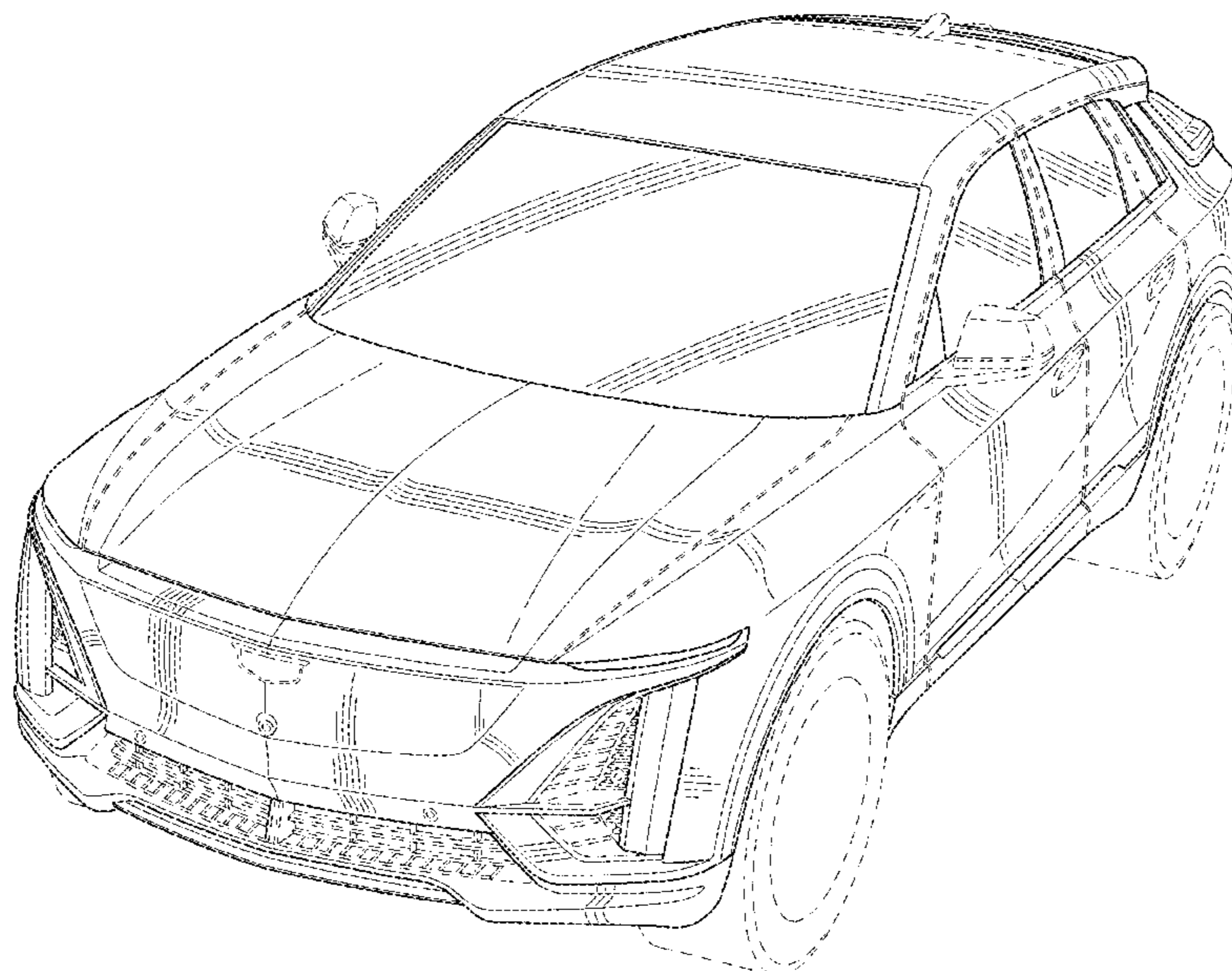
FIG. 6 is a top view thereof; and,

FIG. 7 is a rear elevation view thereof.

The broken lines in the drawings depict portions of the motor vehicle body, toy replica and/or other replica that form no part of the claimed design.

1 Claim, 7 Drawing Sheets

- (56) **References Cited**
U.S. PATENT DOCUMENTS
- D570,742 S 6/2008 Takagi et al.
- D592,105 S 5/2009 Dean et al.
- D597,447 S 8/2009 Folden
- D600,595 S 9/2009 Nakamura et al.
- D601,925 S 10/2009 O'Donnell
- D603,755 S 11/2009 Peters
- D604,203 S 11/2009 O'Donnell
- D605,082 S 12/2009 Munson
- D605,083 S 12/2009 Manoogian, II et al.
- D605,977 S 12/2009 Zipfel et al.



(56)

References Cited

U.S. PATENT DOCUMENTS

D668,183 S	10/2012	Smart	D767,451 S	9/2016	Kozub et al.	
D678,820 S	3/2013	Song et al.	D775,549 S	1/2017	Karras	
D678,821 S	3/2013	Ikeda et al.	D777,604 S	1/2017	McNerney	
D680,909 S	4/2013	Munson et al.	D777,605 S	1/2017	Ferlazzo et al.	
D680,910 S	4/2013	David	D780,064 S	2/2017	Smith et al.	
D684,899 S	6/2013	Baker	D780,067 S	2/2017	Zipfel et al.	
D686,536 S	7/2013	McCabe et al.	D780,068 S	2/2017	Whitla et al.	
D692,798 S	11/2013	Thurber	D780,631 S	3/2017	Kozub et al.	
D692,799 S	11/2013	Smith et al.	D781,184 S	3/2017	Thole et al.	
D696,157 S	12/2013	Loeb	D787,984 S	5/2017	Fang	
D699,629 S	2/2014	Ikeda et al.	D788,641 S	6/2017	Arnold	
D700,871 S	3/2014	O'Donnell et al.	D788,644 S	6/2017	Mueller	
D703,103 S	4/2014	Lee	D788,645 S	6/2017	Mueller	
D704,103 S	5/2014	Mack et al.	D789,250 S	6/2017	Arnold	
D705,132 S	5/2014	Ware et al.	D791,018 S	7/2017	Mylenek et al.	
D705,699 S	5/2014	Ware et al.	D791,644 S	7/2017	Fang et al.	
D713,298 S	9/2014	Dyson	D797,603 S	9/2017	Noone et al.	
D713,764 S	9/2014	Ferlazzo et al.	D802,478 S	11/2017	Perkins	
D716,696 S	11/2014	Thole et al.	D803,727 S	11/2017	Noone et al.	
D717,696 S	11/2014	Thole et al.	D811,269 S	2/2018	Thompson et al.	
D718,189 S	11/2014	Krieg et al.	D811,942 S	3/2018	Jacob	
D722,282 S	2/2015	Loeb	D813,098 S	3/2018	Thompson et al.	
D722,533 S	2/2015	Thole et al.	D815,985 S	4/2018	Mueller	
D722,534 S	2/2015	Munson et al.	D818,876 S	5/2018	Whitla et al.	
D725,001 S	3/2015	McMahan et al.	D818,877 S	5/2018	Nakamura et al.	
D726,591 S	4/2015	Jacob	D818,878 S	5/2018	McMahan et al.	
D730,776 S	6/2015	Smart	D825,388 S	8/2018	Karras et al.	
D732,427 S	6/2015	Loeb	D835,003 S	12/2018	Thompson et al.	
D732,429 S	6/2015	Loeb	D843,891 S	3/2019	Thompson et al.	
D732,430 S	6/2015	Loeb	D847,027 S	4/2019	Loeb	
D732,431 S	6/2015	Loeb	D847,028 S	4/2019	Loeb	
D732,432 S	6/2015	Aengenheyster	D848,315 S	5/2019	Koo et al.	
D732,433 S	6/2015	Aengenheyster	D851,541 S	6/2019	Pinazzo	
D732,435 S	6/2015	Mackay	D851,542 S	6/2019	Mack	
D733,002 S	6/2015	Loeb	D852,093 S	6/2019	Kozub	
D735,611 S	8/2015	Aengenheyster et al.	D852,094 S	6/2019	Zipfel	
D739,306 S	9/2015	McMahan et al.	D863,104 S	10/2019	Bennion	
D741,223 S	10/2015	Kim et al.	D863,105 S	10/2019	Dias et al.	
D764,975 S	8/2016	Aengenheyster	D863,106 S	10/2019	Dias et al.	
D764,976 S	8/2016	Aengenheyster	D863,109 S	10/2019	Thurber	
D767,449 S	9/2016	Pevovar et al.	D876,989 S	3/2020	Karras	
D767,450 S	9/2016	Lee et al.	D887,307 S	6/2020	Blanski et al.	
			D911,222 S *	2/2021	Jung	D12/91
			D920,842 S *	6/2021	Yao	D12/91

* cited by examiner

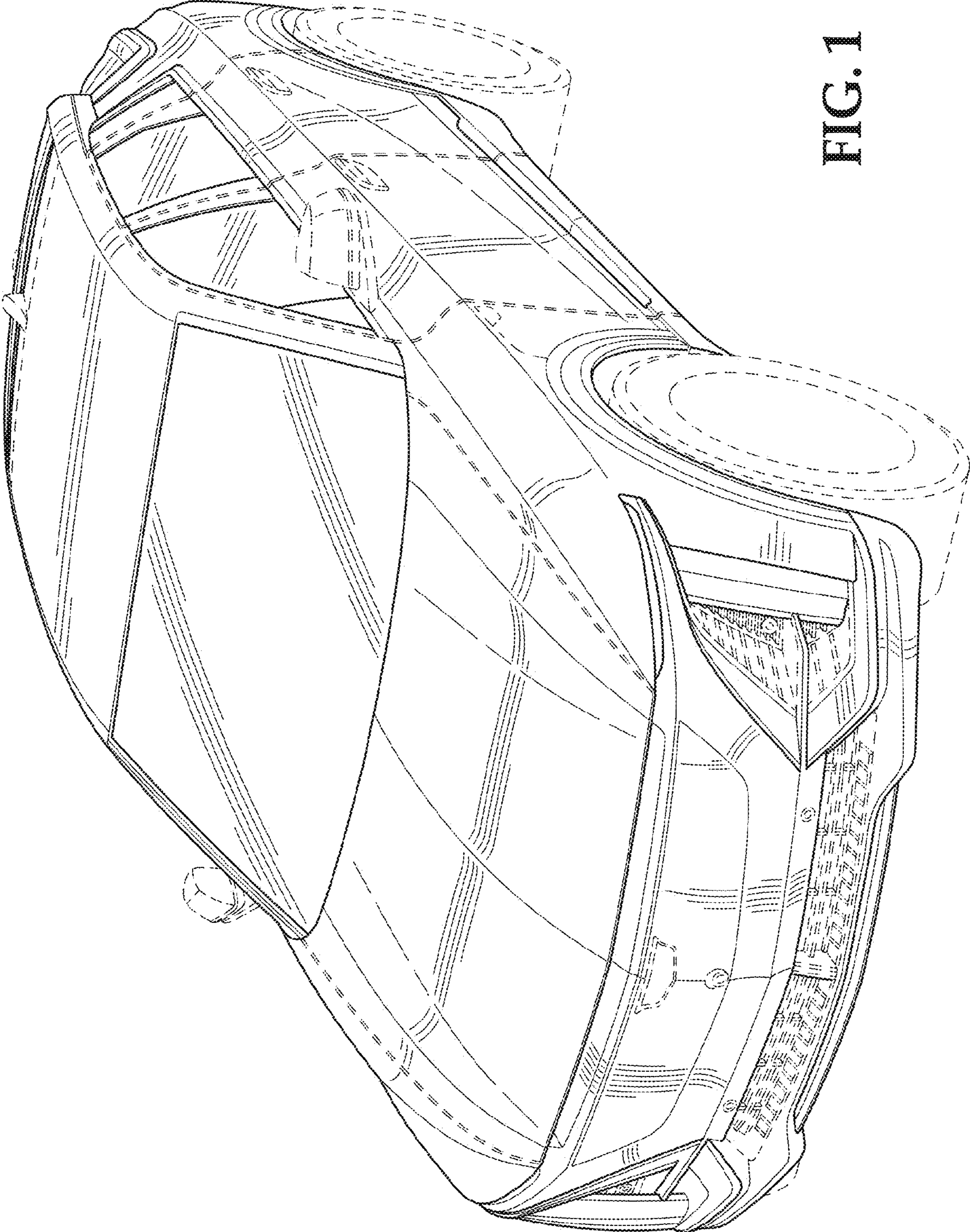


FIG. 1

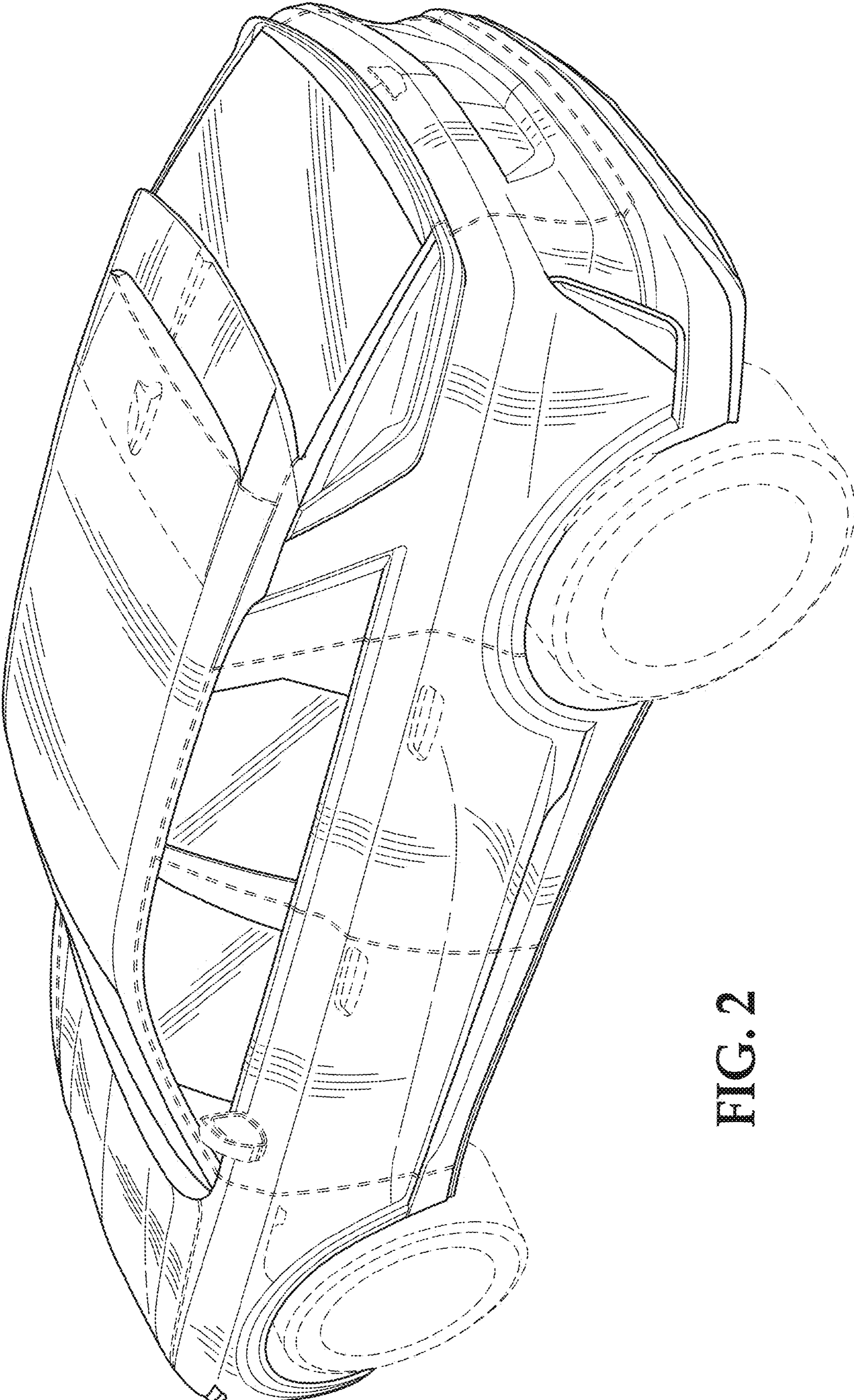


FIG. 2

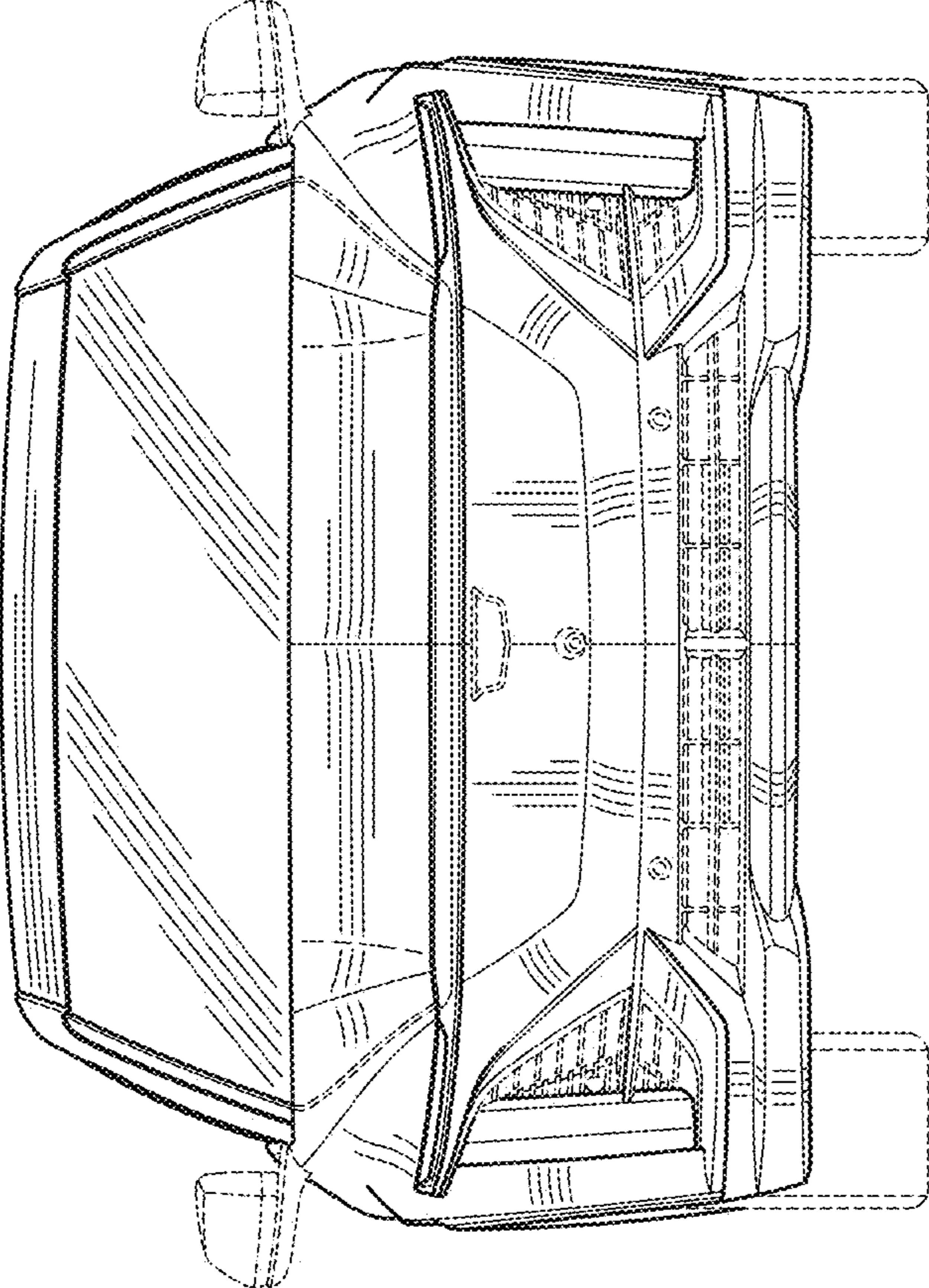


FIG. 3

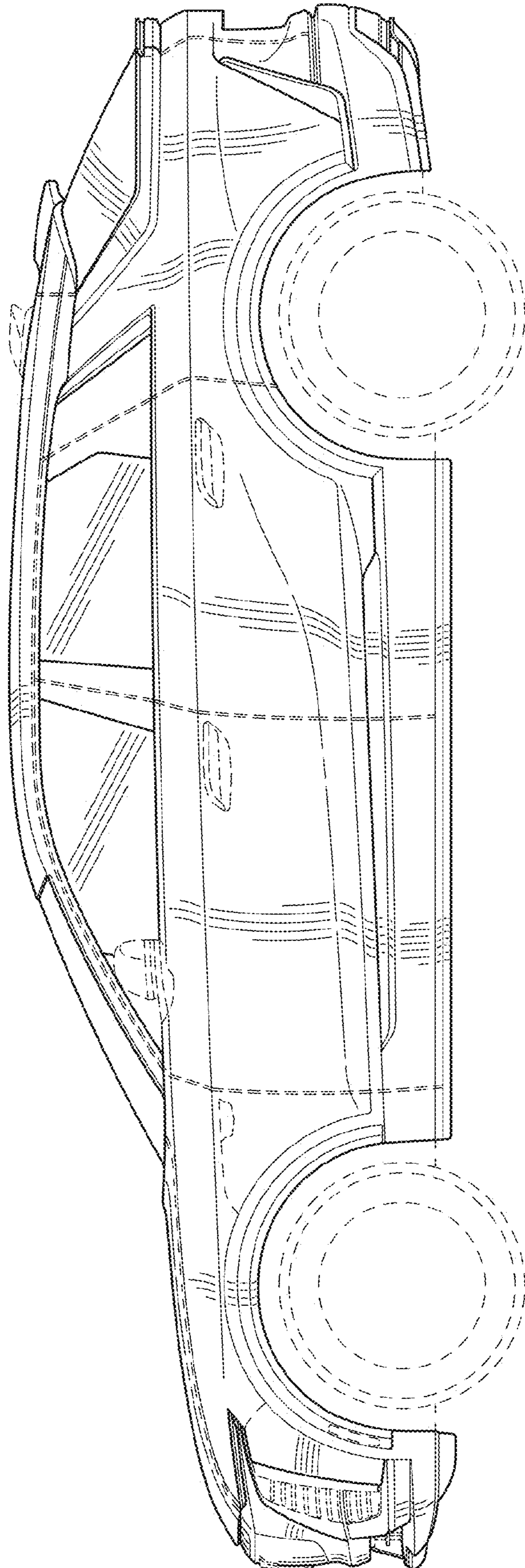


FIG. 4

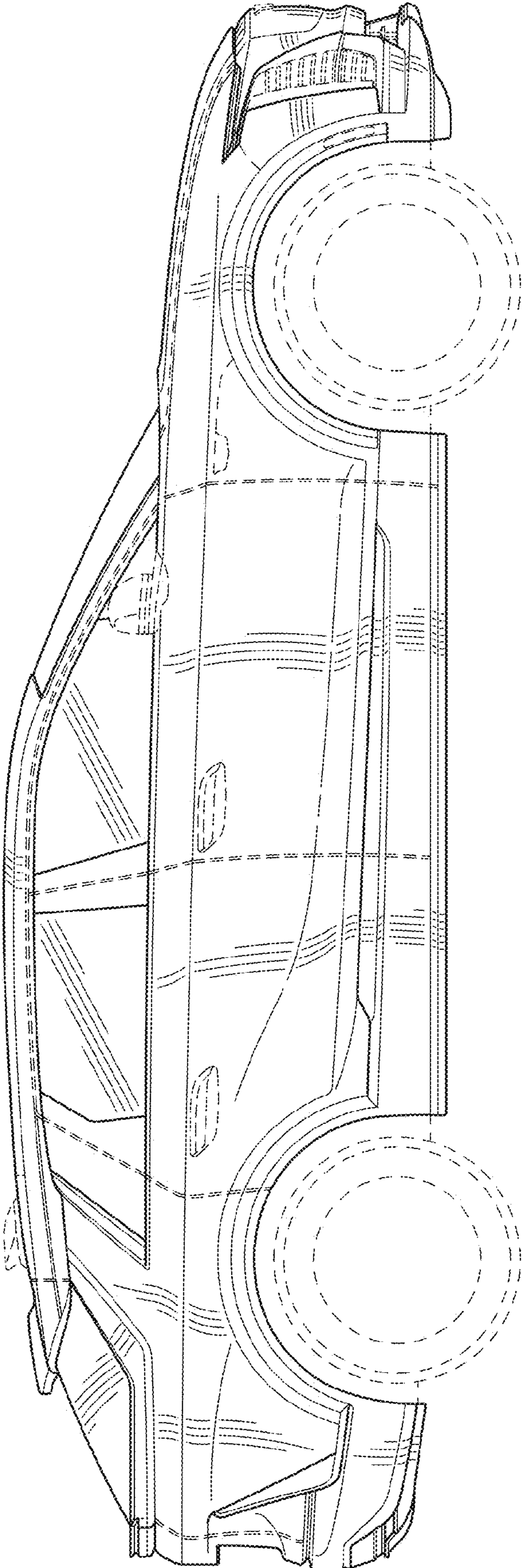


FIG. 5

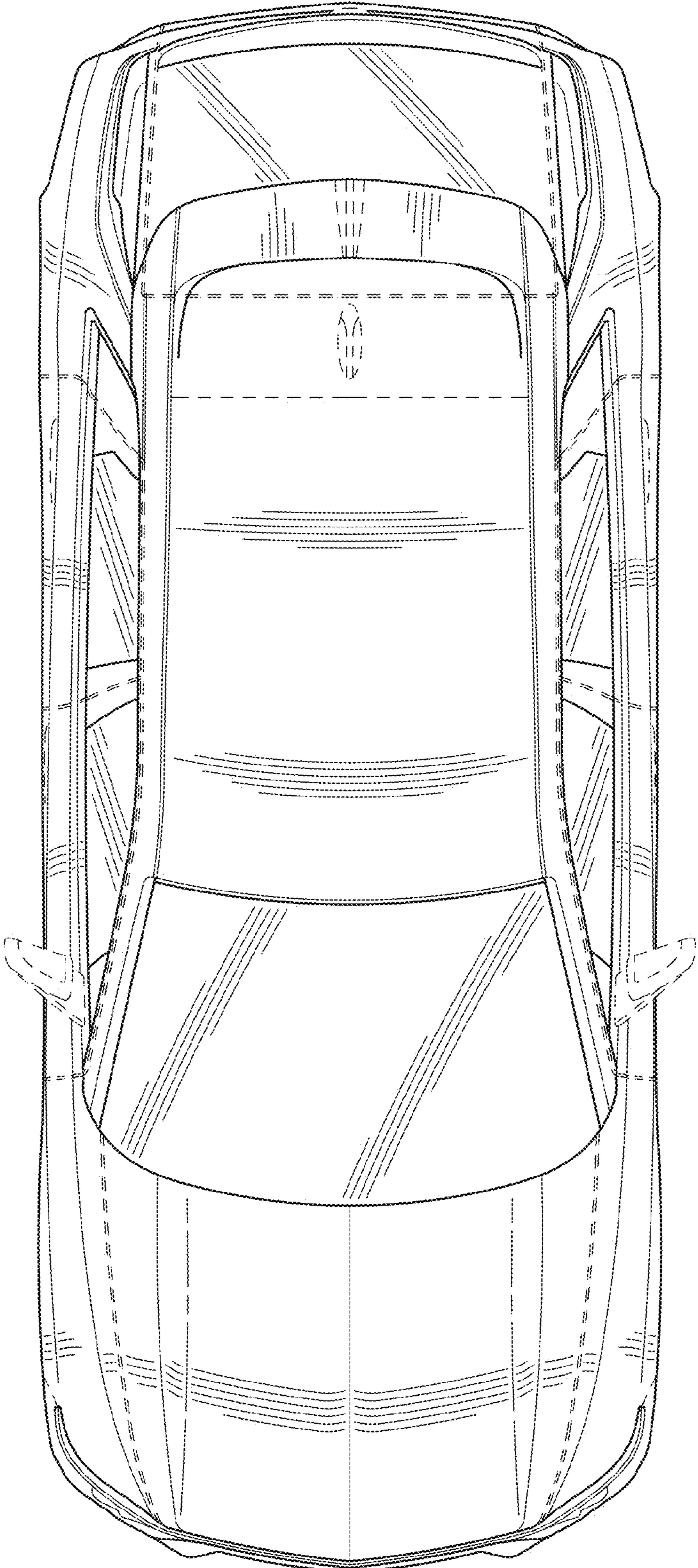


FIG. 6

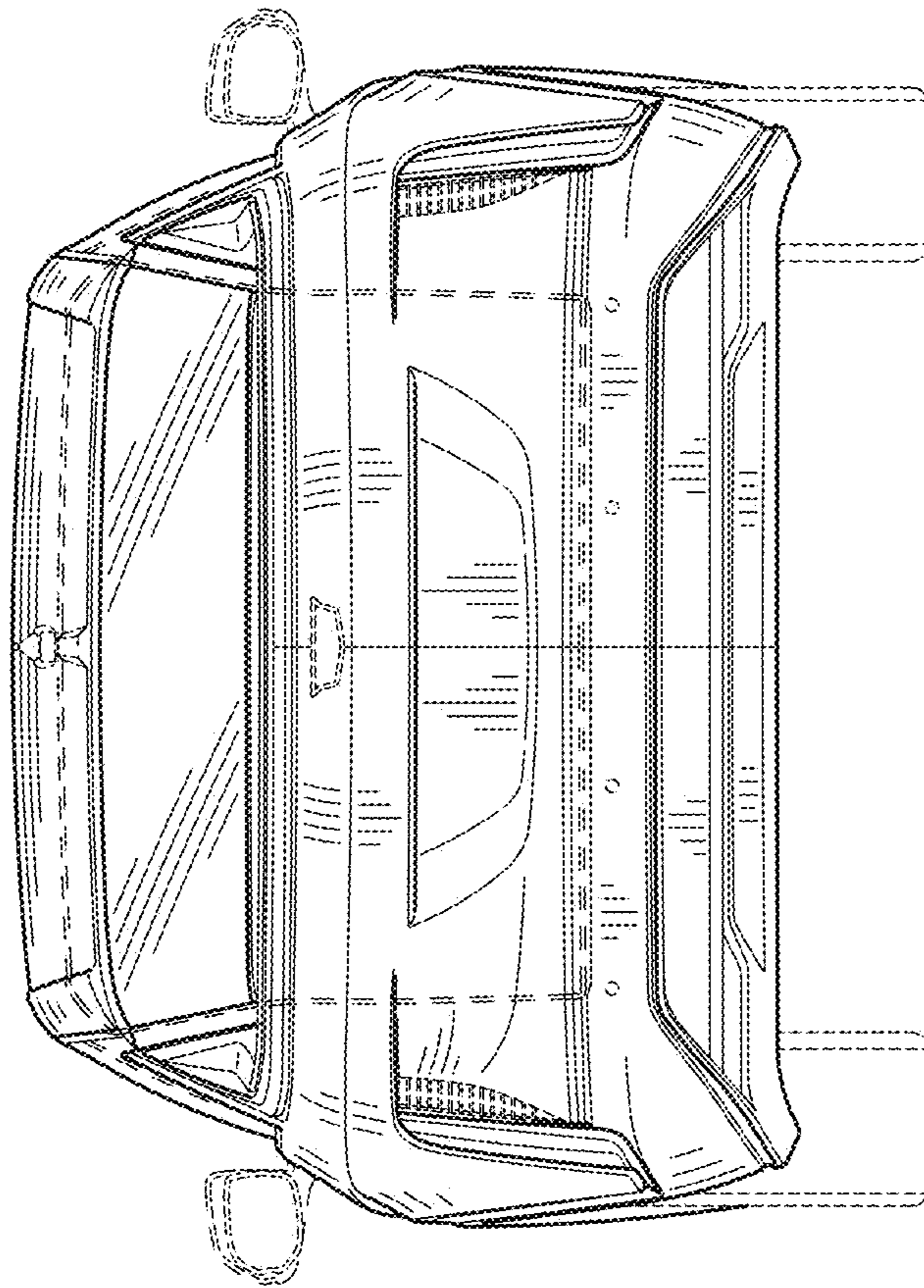


FIG. 7