



US00D978725S

(12) **United States Design Patent**
Thomas et al.

(10) **Patent No.:** **US D978,725 S**
(45) **Date of Patent:** **** Feb. 21, 2023**

(54) **VEHICLE BODY**
(71) Applicant: **National Association for Stock Car Auto Racing, LLC**, Daytona Beach, FL (US)
(72) Inventors: **Brandon Thomas**, Concord, NC (US); **John Probst**, Concord, NC (US); **Eric Jacuzzi**, Concord, NC (US); **Christopher A. Popiela**, Concord, NC (US); **Timothy S. Murphy**, Concord, NC (US); **Donald E. Krueger**, Concord, NC (US)

D356,982 S 4/1995 Ramaciotti
D368,241 S 3/1996 Winter
D374,847 S 10/1996 Gisser
D383,709 S 9/1997 Cheiky
D389,436 S 1/1998 Ramaciotti
D401,890 S 12/1998 Larson et al.
D402,332 S 12/1998 Fichter
D405,389 S 2/1999 Trostle et al.
D408,330 S 4/1999 Hsu et al.
D413,082 S 8/1999 Trestle et al.
D421,933 S 3/2000 Bender
D430,508 S 9/2000 Crain et al.
D437,814 S 2/2001 Yokomaku

(Continued)

(73) Assignee: **NATIONAL ASSOCIATION FOR STOCK CAR AUTO RACING, LLC**, Daytona Beach, FL (US)

(**) Term: **15 Years**

(21) Appl. No.: **29/753,863**

(22) Filed: **Oct. 2, 2020**

(51) **LOC (14) Cl.** **12-08**

(52) **U.S. Cl.**
USPC **D12/91**

(58) **Field of Classification Search**
USPC D12/86, 90, 91, 92, 164; D21/433, 434, D21/531, 532, 533, 534, 535
CPC B62D 25/00; B62D 25/06; B62D 33/00; B62D 35/00
See application file for complete search history.

(56) **References Cited**

U.S. PATENT DOCUMENTS

D233,831 S 12/1974 Haga et al.
D248,385 S 7/1978 Fuller
D310,187 S 8/1990 Dimson
D321,679 S 11/1991 Shinoda
D336,736 S 6/1993 Verduyn
D352,483 S 11/1994 Verduyn et al.

OTHER PUBLICATIONS

Sedan roofs. (Design—© Questel) orbit.com. [Online PDF compilation of references] 55 pgs. Print Dates Range May 11, 2022-Sep. 24, 2020 [Retrieved Jul. 5, 2022].*

(Continued)

Primary Examiner — George D. Kirschbaum
Assistant Examiner — Suzanne E Tisdell
(74) *Attorney, Agent, or Firm* — Alston & Bird LLP

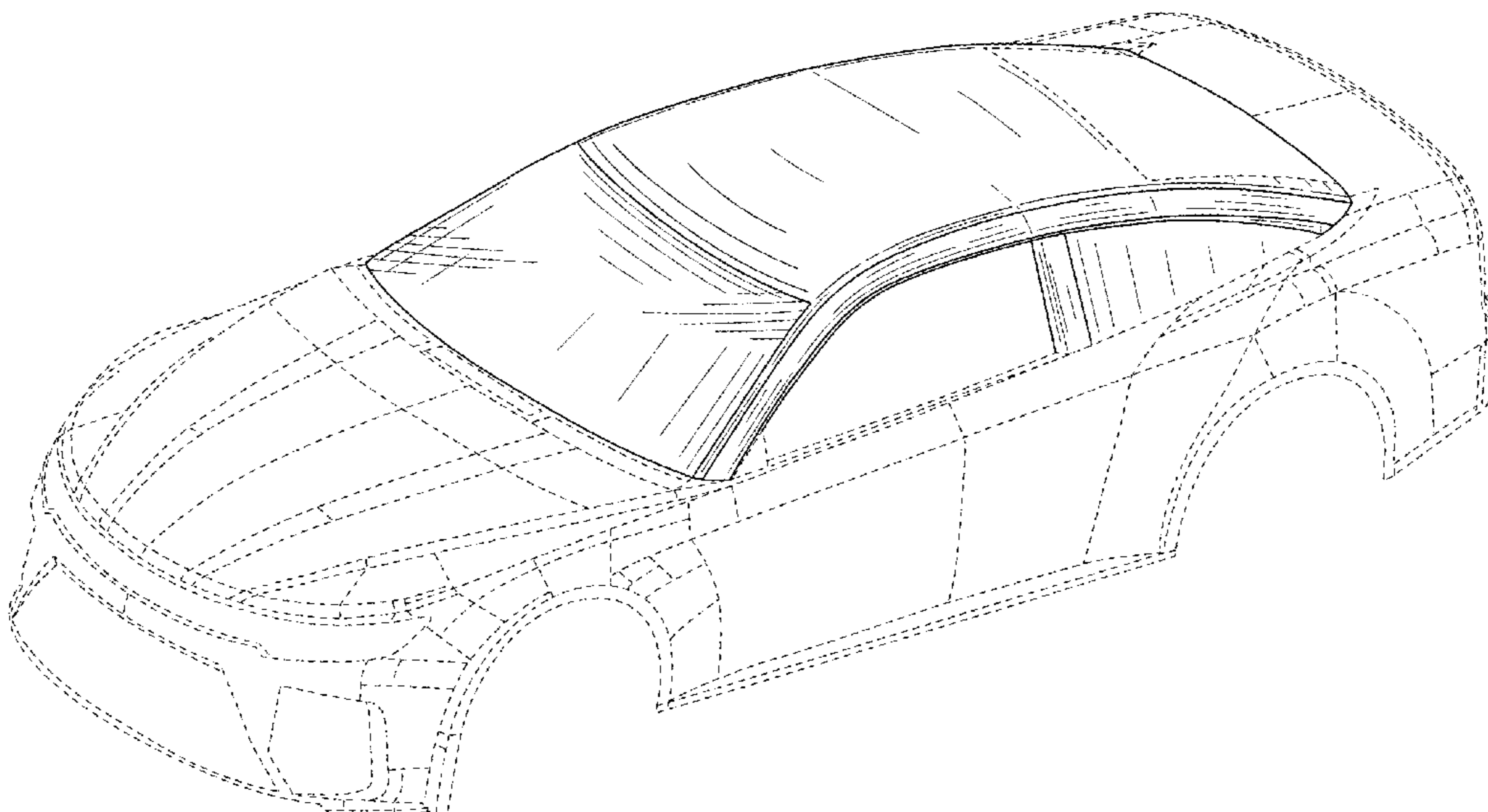
(57) **CLAIM**

The ornamental design for a vehicle body, as shown and described.

DESCRIPTION

FIG. 1 is a perspective view of a vehicle body showing the new design;
FIG. 2 is another perspective view thereof;
FIG. 3 is a top plan view thereof;
FIG. 4 is a left side elevation view thereof;
FIG. 5 is a right side elevation view thereof;
FIG. 6 is a front elevation view thereof; and,
FIG. 7 is a rear elevation view thereof.
The broken lines illustrate features of the vehicle body that form no part of the claimed design.

1 Claim, 6 Drawing Sheets



(56)

References Cited

U.S. PATENT DOCUMENTS

D438,144 S 2/2001 Hettler
 D438,497 S 3/2001 Yokomaku
 D446,758 S 8/2001 Tampi
 D448,710 S 10/2001 Akana et al.
 D449,254 S 10/2001 Larson
 D451,844 S 12/2001 Thomas
 D455,102 S 4/2002 Crijns
 D455,984 S 4/2002 Boulay et al.
 D456,313 S 4/2002 Walling et al.
 D458,872 S 6/2002 Ramaciotti
 D465,436 S 11/2002 Dehner et al.
 D471,136 S 3/2003 Cofano
 D475,656 S 6/2003 Stevens
 D475,667 S 6/2003 Bailey
 D475,668 S 6/2003 Bailey
 D476,270 S 6/2003 Bailey
 D477,253 S 7/2003 Minami et al.
 D477,548 S 7/2003 Panoz
 D478,843 S 8/2003 Pardo
 D480,021 S 9/2003 Warming
 D488,099 S 4/2004 Lange
 D490,863 S 6/2004 Ramaciotti
 D491,106 S 6/2004 Yamada
 D491,107 S 6/2004 Okonkwo
 D497,327 S 10/2004 Lai
 D498,707 S 11/2004 Desmond et al.
 D500,000 S 12/2004 Dyson et al.
 D504,089 S 4/2005 Egger
 D506,161 S 6/2005 Stephenson
 D507,207 S 7/2005 Larson
 D507,510 S 7/2005 Larson
 D508,439 S 8/2005 Adams, III
 D512,341 S 12/2005 Larson
 D515,461 S 2/2006 Lai
 D515,486 S 2/2006 Yokomaku
 D517,950 S 3/2006 Bushell et al.
 D521,906 S 5/2006 Ramaciotti
 D523,778 S 6/2006 Saridakis et al.
 D526,599 S 8/2006 Moruzzi
 7,097,240 B2 8/2006 Kurtz et al.
 D534,221 S 12/2006 Hill et al.
 D547,249 S 7/2007 Kurtz et al.
 D553,051 S 10/2007 Chung et al.
 D553,052 S 10/2007 Hettler
 7,517,004 B2 4/2009 Honeycutt
 D598,811 S 8/2009 Honeycutt et al.
 D603,295 S 11/2009 Honeycutt et al.
 D906,888 S * 1/2021 Satulovsky D12/98
 D918,089 S * 5/2021 Frank D12/92
 D918,090 S * 5/2021 Frank D12/92
 D918,092 S * 5/2021 Frank D12/92
 D918,775 S * 5/2021 Frank D12/92
 D920,846 S * 6/2021 Davidson D12/92
 D923,515 S * 6/2021 Patel D12/91
 D927,357 S * 8/2021 Park D12/91
 D928,037 S * 8/2021 Park D12/91

D931,772 S 9/2021 Akcay
 D932,407 S 10/2021 Wu
 D934,134 S 10/2021 Giumentaro
 D934,760 S 11/2021 Giumentaro
 D935,351 S * 11/2021 Lim D12/92
 D935,954 S 11/2021 Meyer
 D937,151 S 11/2021 Wraith
 D938,319 S 12/2021 Iwanaga
 D938,320 S 12/2021 Sperling
 D938,323 S 12/2021 Baek
 D938,867 S 12/2021 Becker
 D939,395 S 12/2021 Duncan
 D939,401 S 12/2021 Becker
 D941,184 S * 1/2022 Kim D12/86
 D941,706 S * 1/2022 Kim D12/86
 D942,337 S 2/2022 Bischoff
 D944,119 S * 2/2022 Fisker D12/91

OTHER PUBLICATIONS

2020 Honda Civic Si Coupe and Sedan Drive Review. Nov. 7, 2019. Motortrend. <https://www.motortrend.com/news/2020-honda-civic-si-coupe-sedan-drive-review/>.*

2019 Ford Mustang Pictures. Jun. 19, 2020. US News. <https://cars.usnews.com/cars-trucks/ford/mustang/2019>.*

2019 Chevrolet Corvette Grand Sport First Drive and Review. May 12, 2019. Horsepower Memories. <https://horsepowermemories.com/2019/05/22/2019-chevrolet-corvette-grand-sport-first-drive-and-review/>.*

Bumpers (Design—© Questel) orbit.com. [Online PDF compilation of references] 55 pgs. Print Dates Range Nov. 22, 2021-Oct. 2, 2021 [Retrieved Mar. 21, 2022].

Monster Styler Fiberglass Wide Body Front Fender Flares. After 2001. Car ID. <https://www.carid.com/vis-racing/monster-style-fiberglass-wide-body-front-fender-flares-mpn-93sbimp4dmonwb-007.html>.

Fit for 13 16 Scion FRS Subam BRZ Rear STI Style Bumper Lip. 2016. All Express. <https://www.aliexpress.com/item/32815488520.html>.

Car Rear Bumper Diffuser Lip. 2018. All Express. <https://www.aliexpress.com/i/32847201682.html>.

Jayski's Silly Season Site Cot—"Car of Tomorrow Images", [retrieved from the Internet] <http://jayski.com/schemes/2006/cot.htm> (Nov. 17, 2006), 12 pages.

Jayski's Silly Season Site Cot—"Car of Tomorrow Images", [retrieved from the Internet] <http://jayski.com/schemes/2006/cot.htm> (Aug. 14, 2006), 8 pages.

Jayski's Silly Season Site Cot, "Car of Tomorrow"—[retrieved from the Internet] <http://jayski.com/teams/car-future.htm> (Nov. 17, 2006), 20 pages.

Jayski's Silly Season Site Cot, "Car of Tomorrow"—[retrieved from the Internet] <http://jayski.com/teams/ear-future.htm> (Oct. 20, 2006), 16 pages.

"Liebeck LD104E Airfoil", NASG Airfoil Database, [retrieved from the Internet] <http://www.nasg.com/afdb/show-airfoil-e.phtml?id=1192>; (Nov. 17, 2006), 1 page.

* cited by examiner

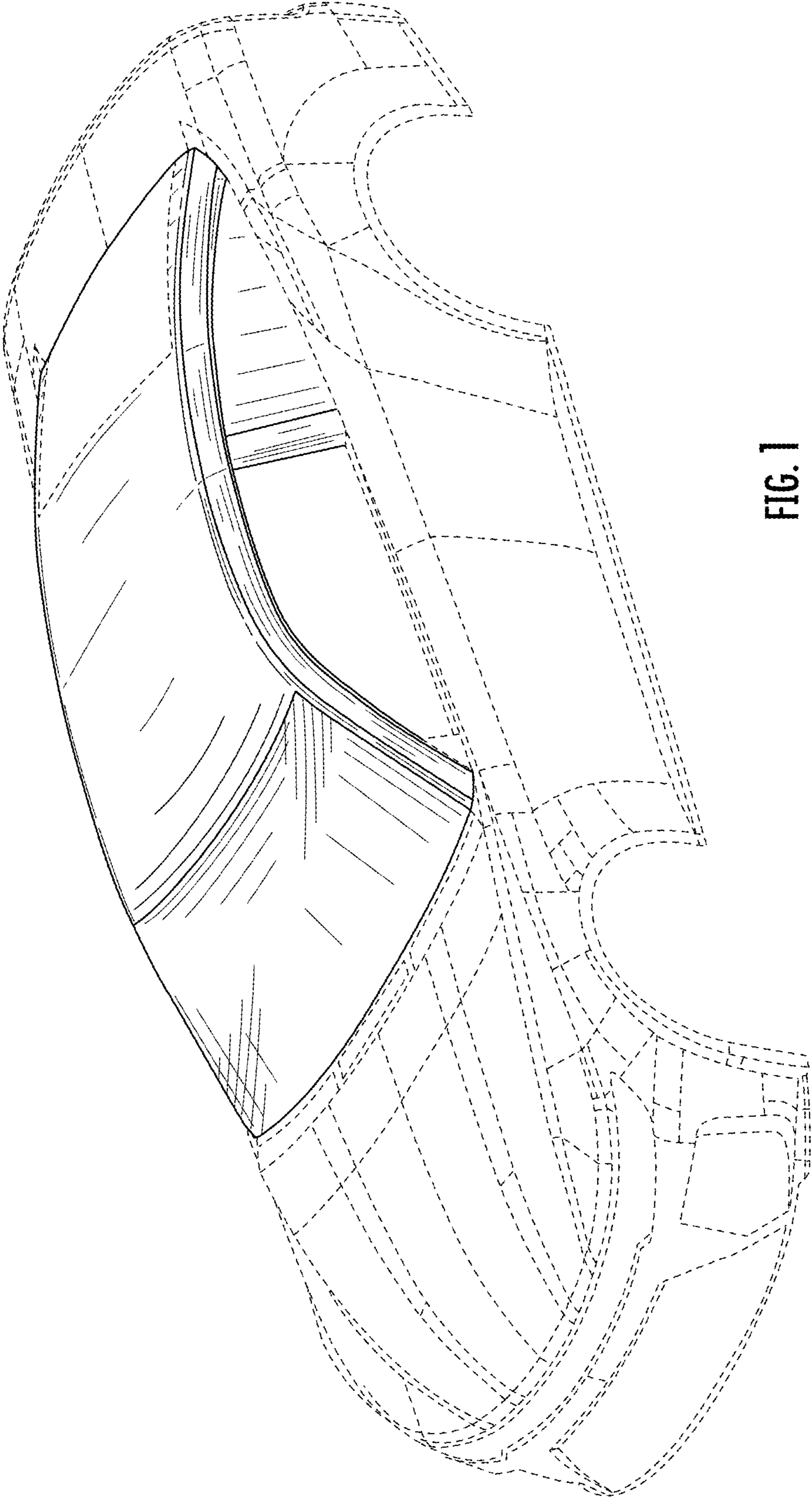


FIG. 1

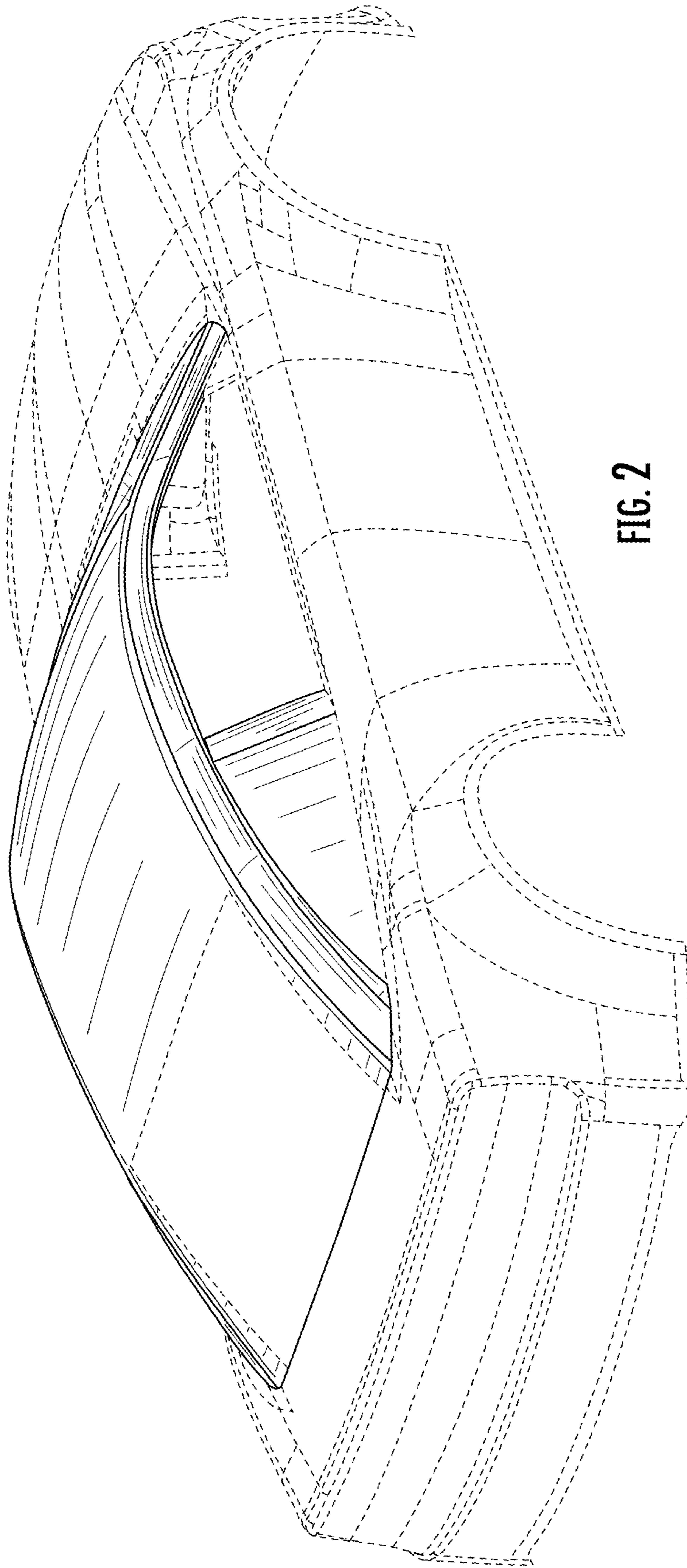


FIG. 2

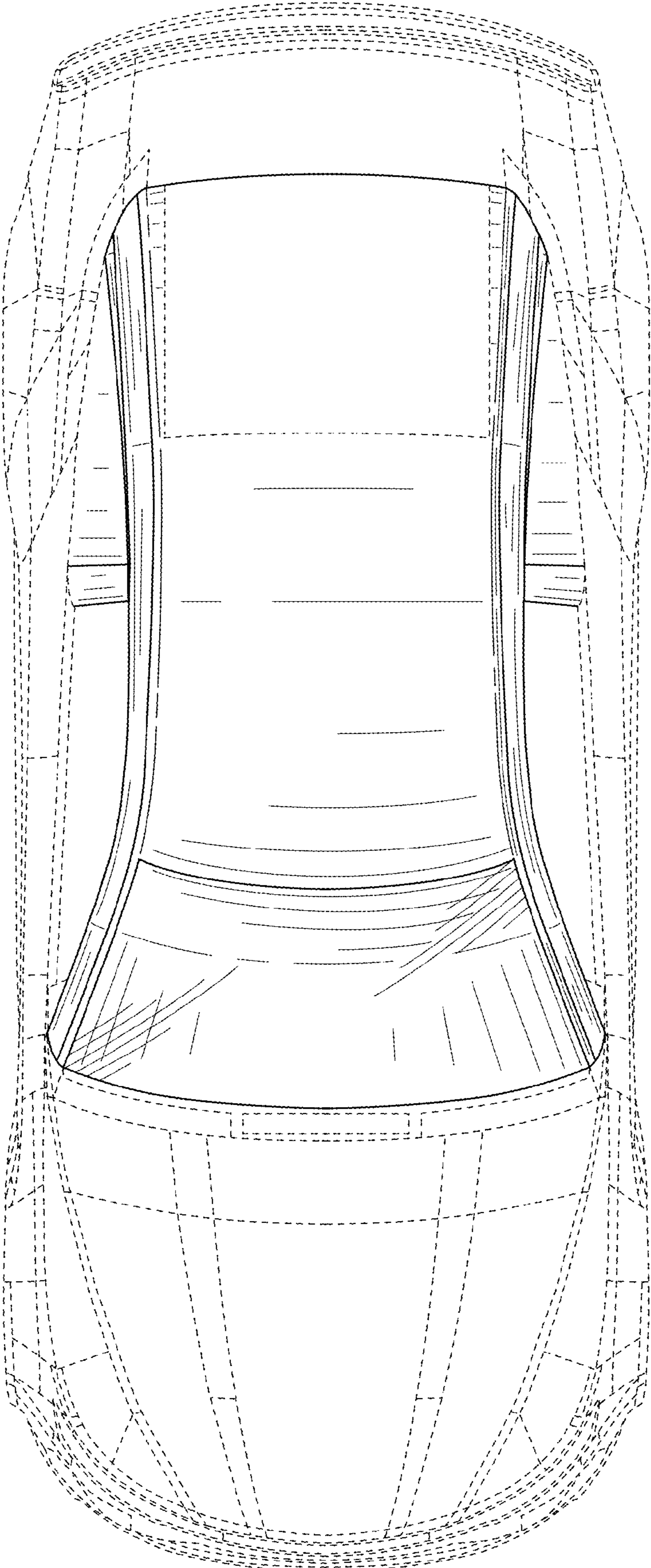


FIG. 3

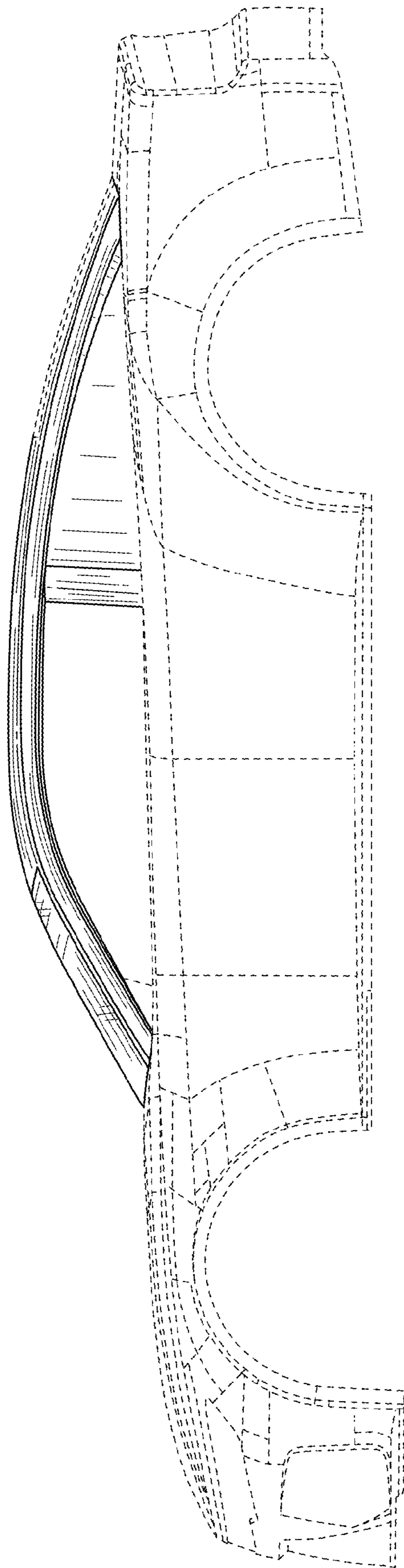


FIG. 4

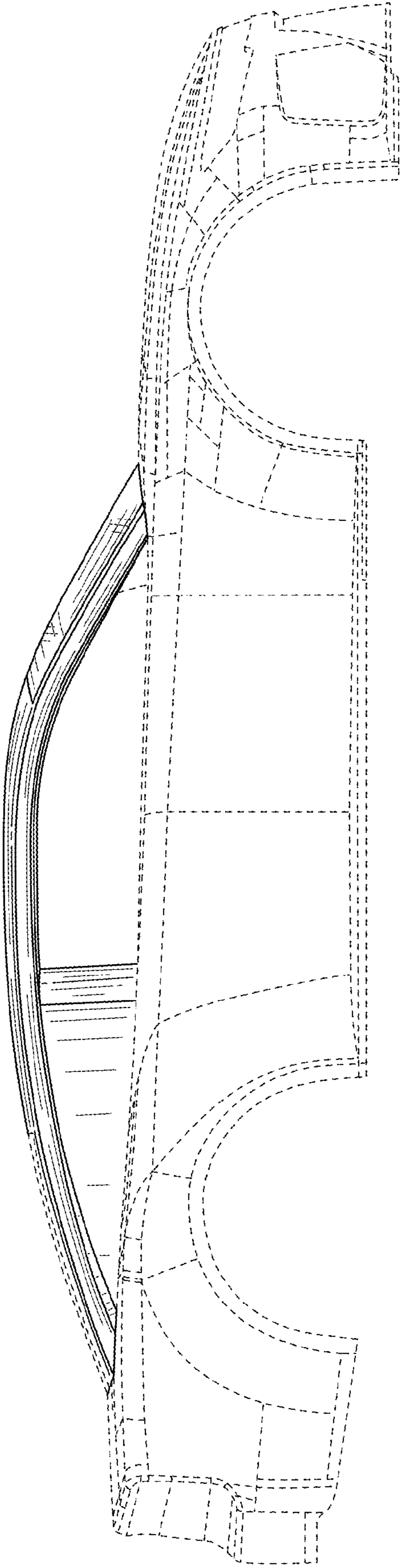


FIG. 5

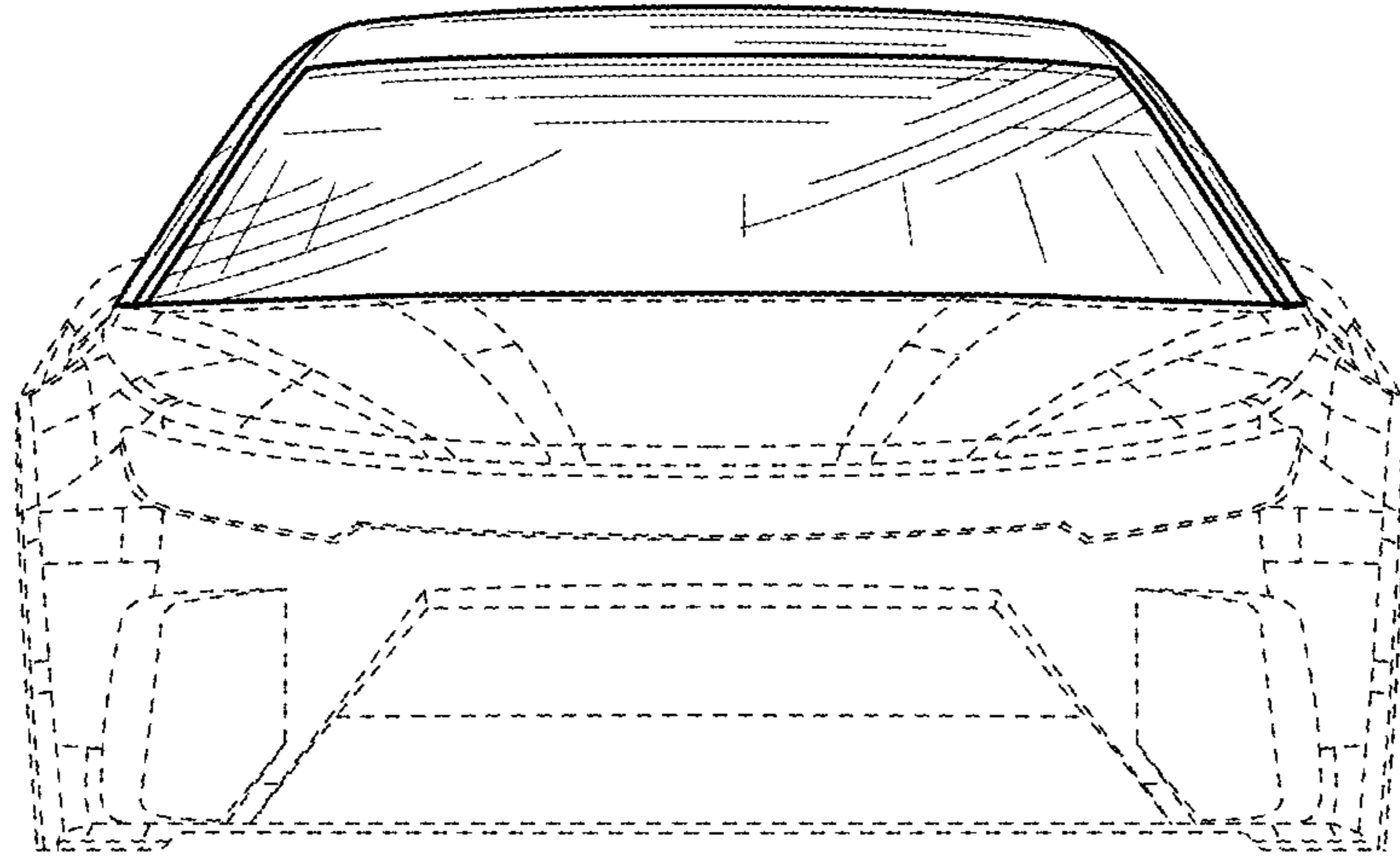


FIG. 6

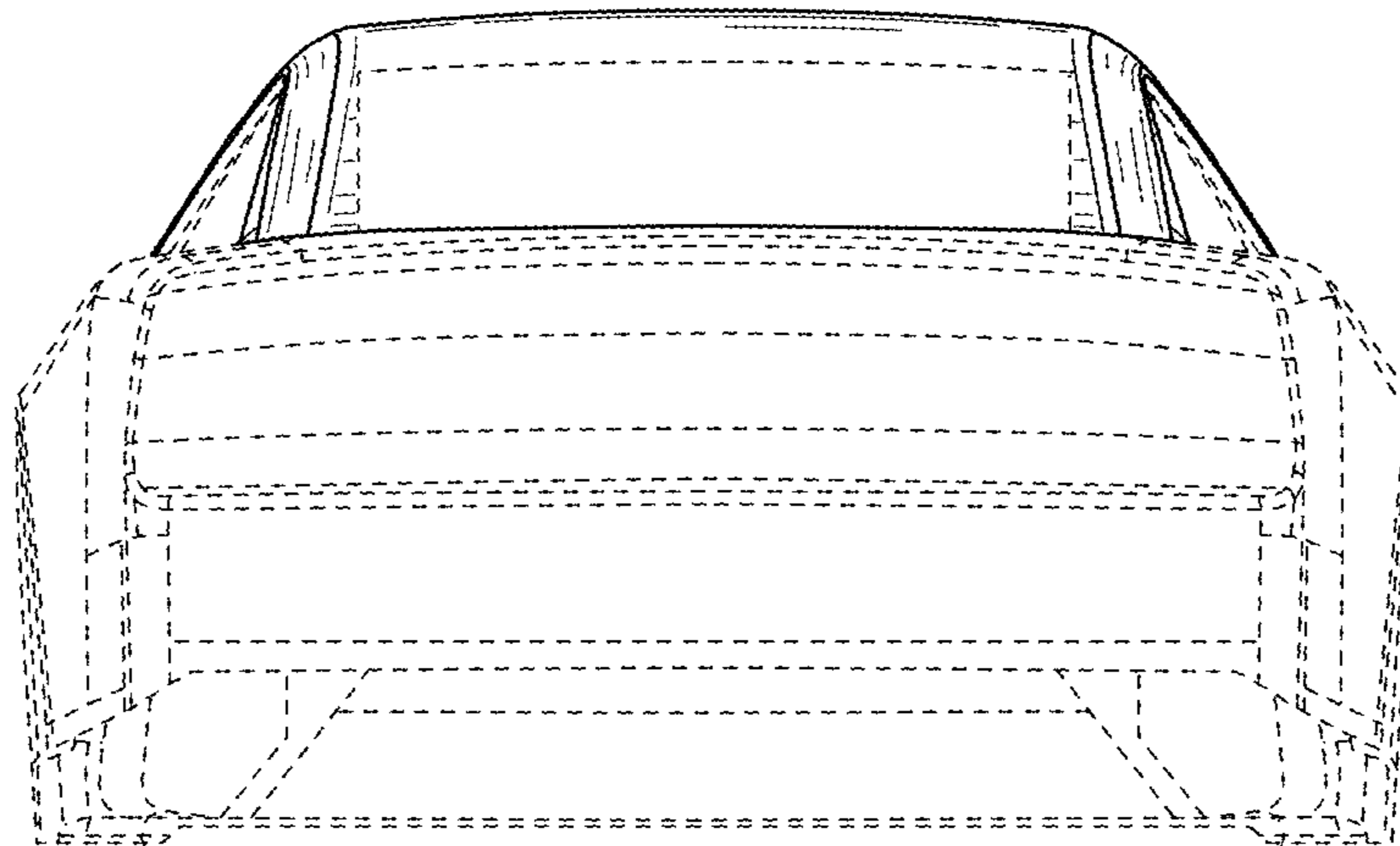


FIG. 7