



US00D978724S

(12) **United States Design Patent**
Escobedo

(10) **Patent No.:** **US D978,724 S**

(45) **Date of Patent:** **** Feb. 21, 2023**

(54) **MOTOR VEHICLE**

(71) Applicant: **Polestar Performance AB**, Gothenburg (SE)

(72) Inventor: **Nahum Escobedo**, Gothenburg (SE)

(73) Assignee: **Polestar Performance AB**, Gothenburg (SE)

(**) Term: **15 Years**

(21) Appl. No.: **29/746,602**

(22) Filed: **Aug. 14, 2020**

(30) **Foreign Application Priority Data**

Feb. 14, 2020 (EM) 007694435-0003

(51) **LOC (14) Cl.** **12-08**

(52) **U.S. Cl.**
USPC **D12/91**

(58) **Field of Classification Search**
USPC D12/86, 90-92, 164; D21/424, 433, 434,
D21/533, 535; 296/181.1-181.5, 183.1
CPC B62D 25/00; B62D 25/06; B62D 33/00;
B62D 35/00
See application file for complete search history.

(56) **References Cited**

U.S. PATENT DOCUMENTS

D644,567 S * 9/2011 Kozub D12/92
D730,777 S * 6/2015 Nurnberger D12/92
D756,849 S * 5/2016 Garcia Lopez D12/92
D767,448 S * 9/2016 Leu D12/92
D776,012 S * 1/2017 Sterner D12/92

D802,483 S * 11/2017 Fahr-Becker D12/92
D809,973 S * 2/2018 Ahn D12/92
D826,095 S * 8/2018 Hirzel D12/92
D831,542 S * 10/2018 Russo D12/92
D871,262 S 12/2019 Mayer et al.
D876,279 S 2/2020 Mayer
D876,280 S 2/2020 Mayer
D893,360 S 8/2020 Escobedo
D906,175 S 12/2020 Mayer
D906,440 S 12/2020 Sterner
D911,222 S * 2/2021 Jung D12/91
D924,100 S 7/2021 Sterner
D924,730 S 7/2021 Sterner
D931,144 S 9/2021 Sterner

* cited by examiner

Primary Examiner — Melody N Brown

(74) *Attorney, Agent, or Firm* — Patterson Thunte, P.A.

(57) **CLAIM**

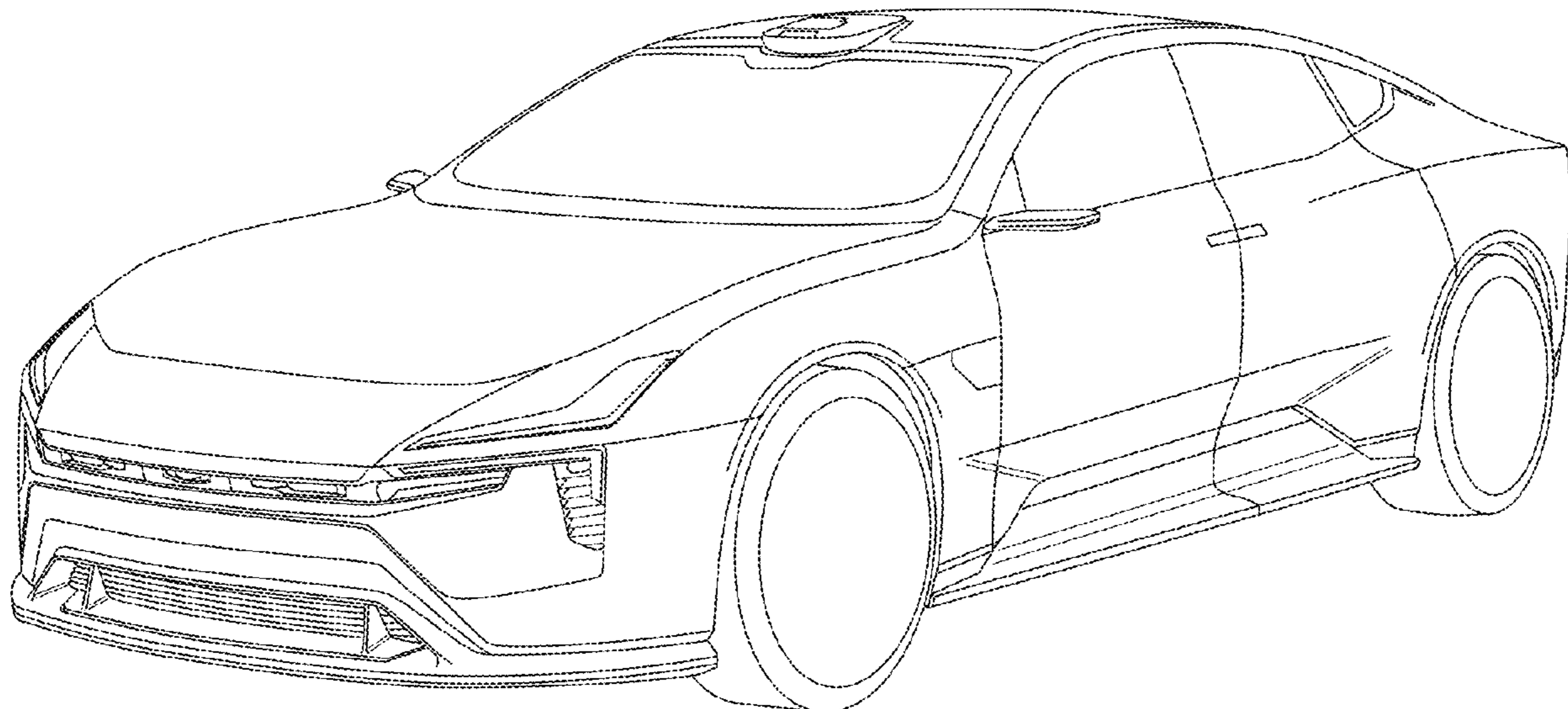
I claim the ornamental design for a motor vehicle, as shown and described.

DESCRIPTION

FIG. 1 is a front and right side perspective view of a motor vehicle showing my new design;
FIG. 2 is a front elevational view thereof;
FIG. 3 is a rear and right side perspective view thereof;
FIG. 4 is a right side elevational view thereof;
FIG. 5 is a top plan view thereof;
FIG. 6 is a left side elevational view thereof;
FIG. 7 is a rear elevational view thereof; and,
FIG. 8 is a bottom view thereof.

The broken lines in the drawings illustrate portions of the motor vehicle that form no part of the claimed design.

1 Claim, 8 Drawing Sheets



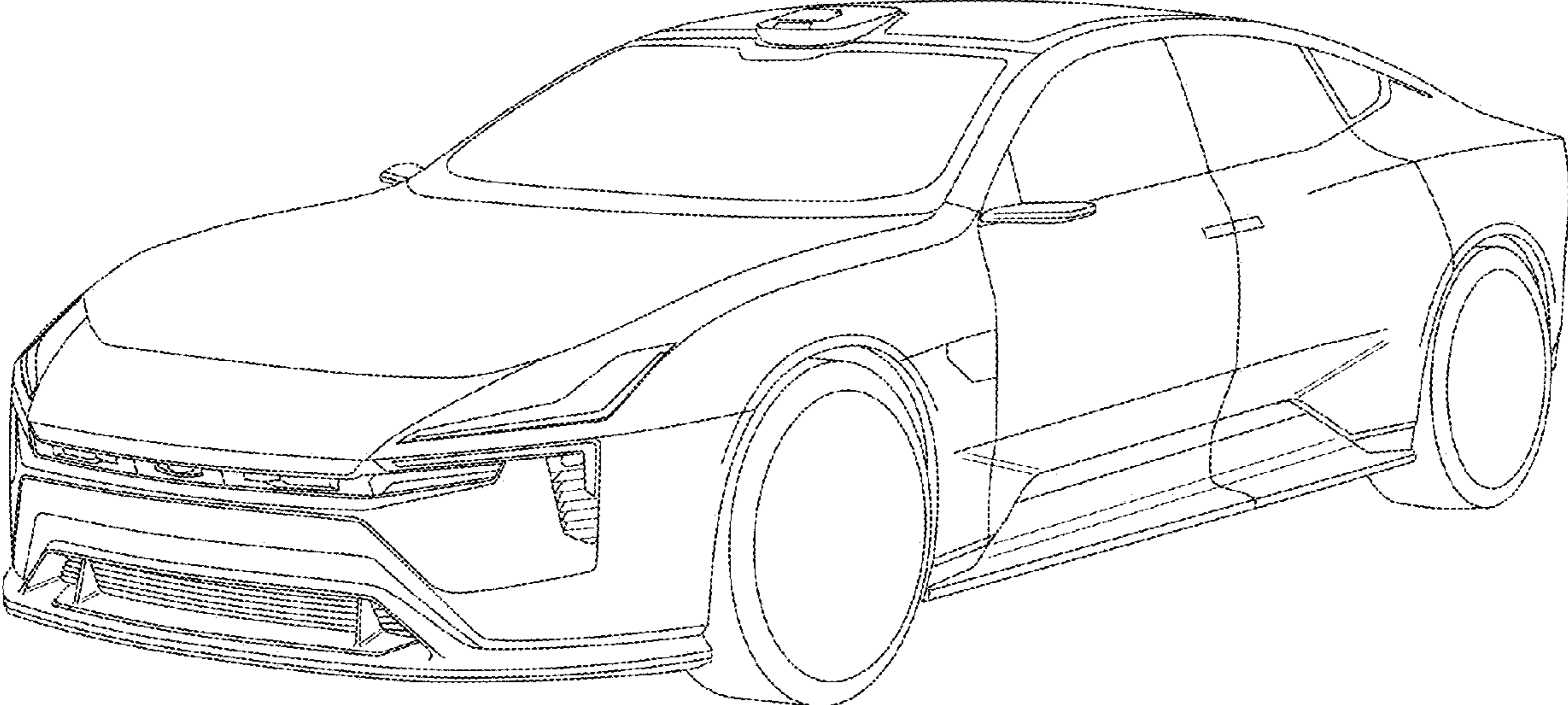


FIG. 1

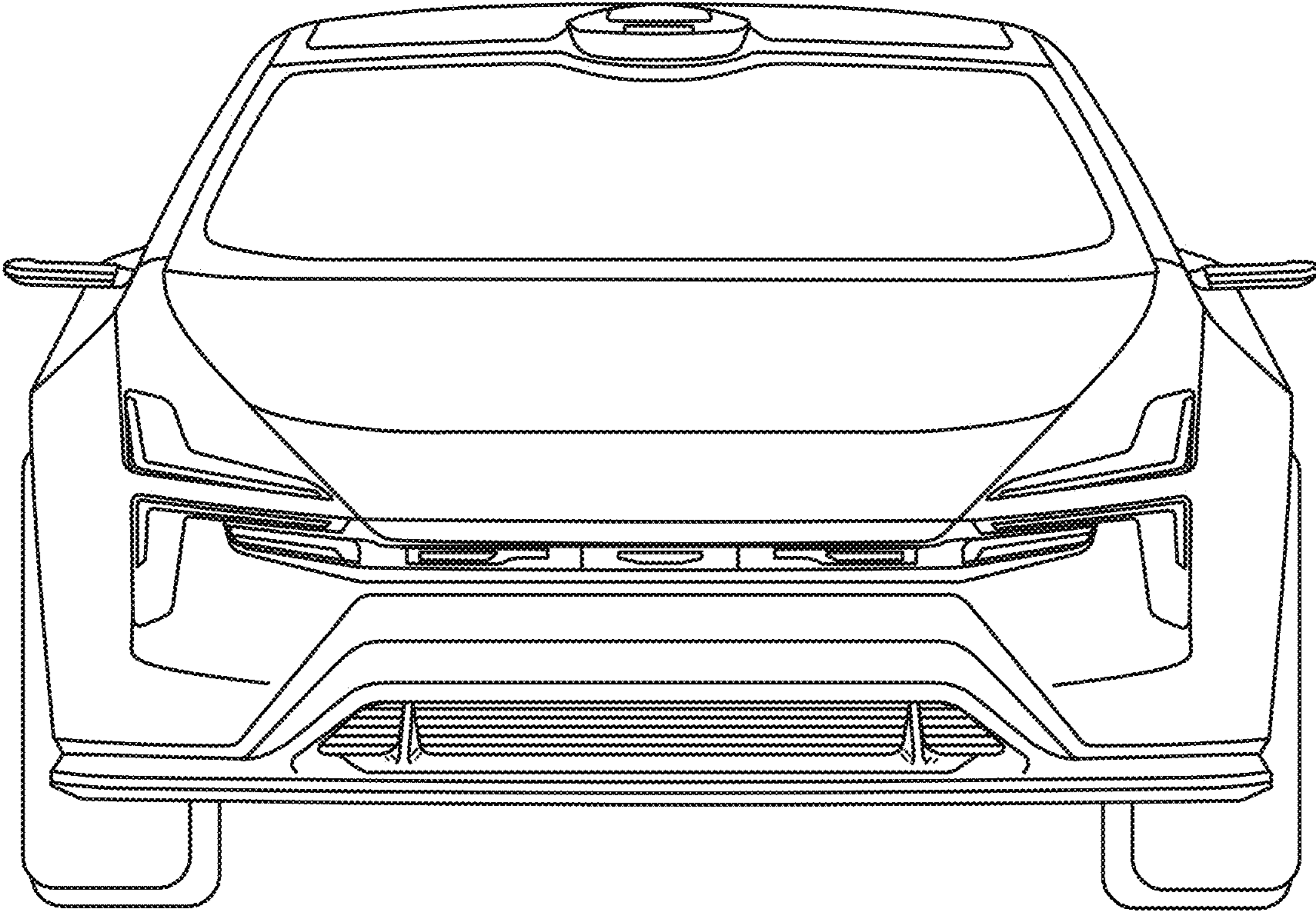


FIG. 2

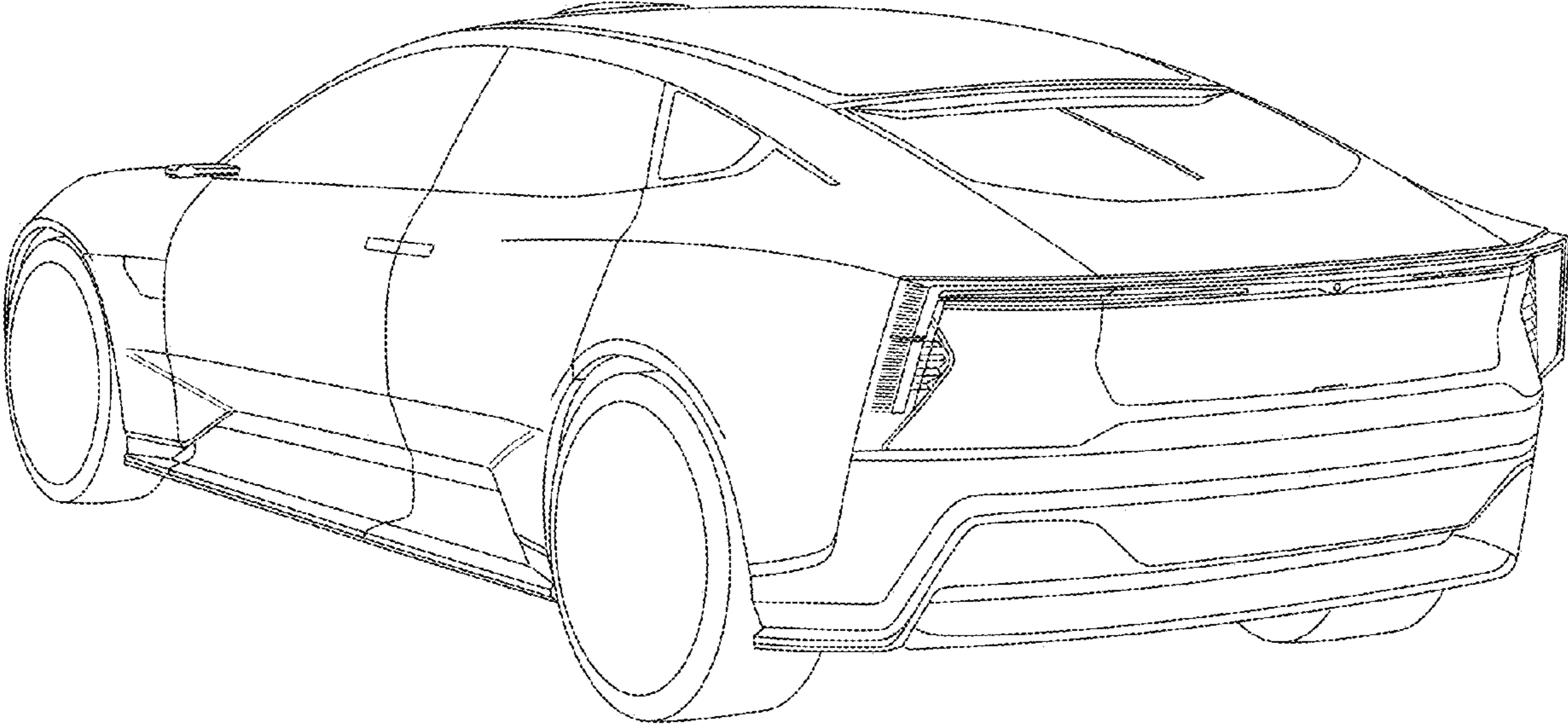


FIG. 3

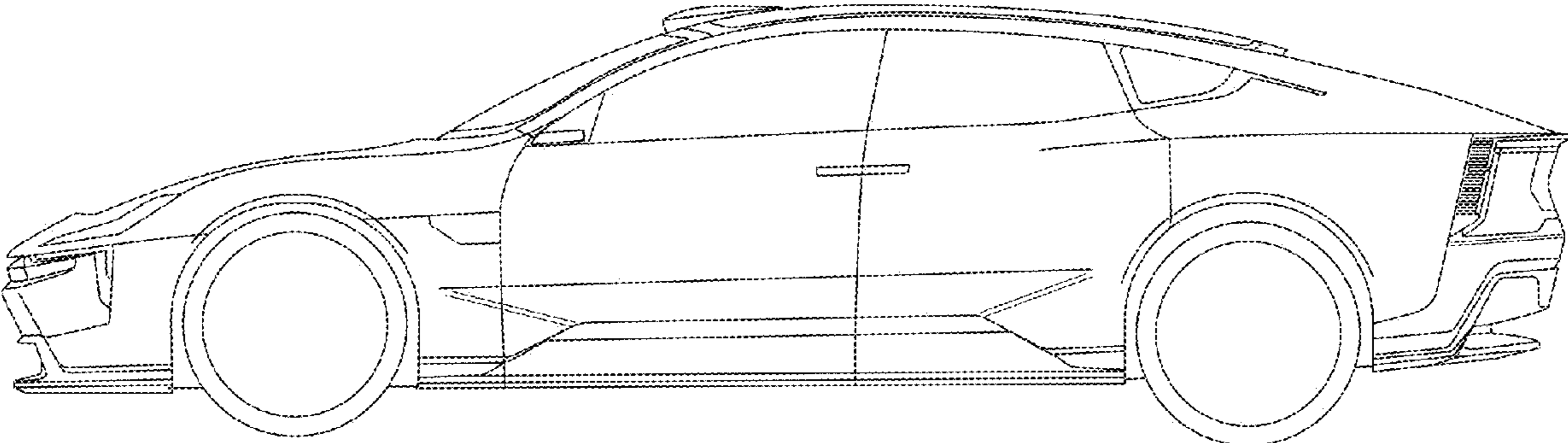


FIG. 4

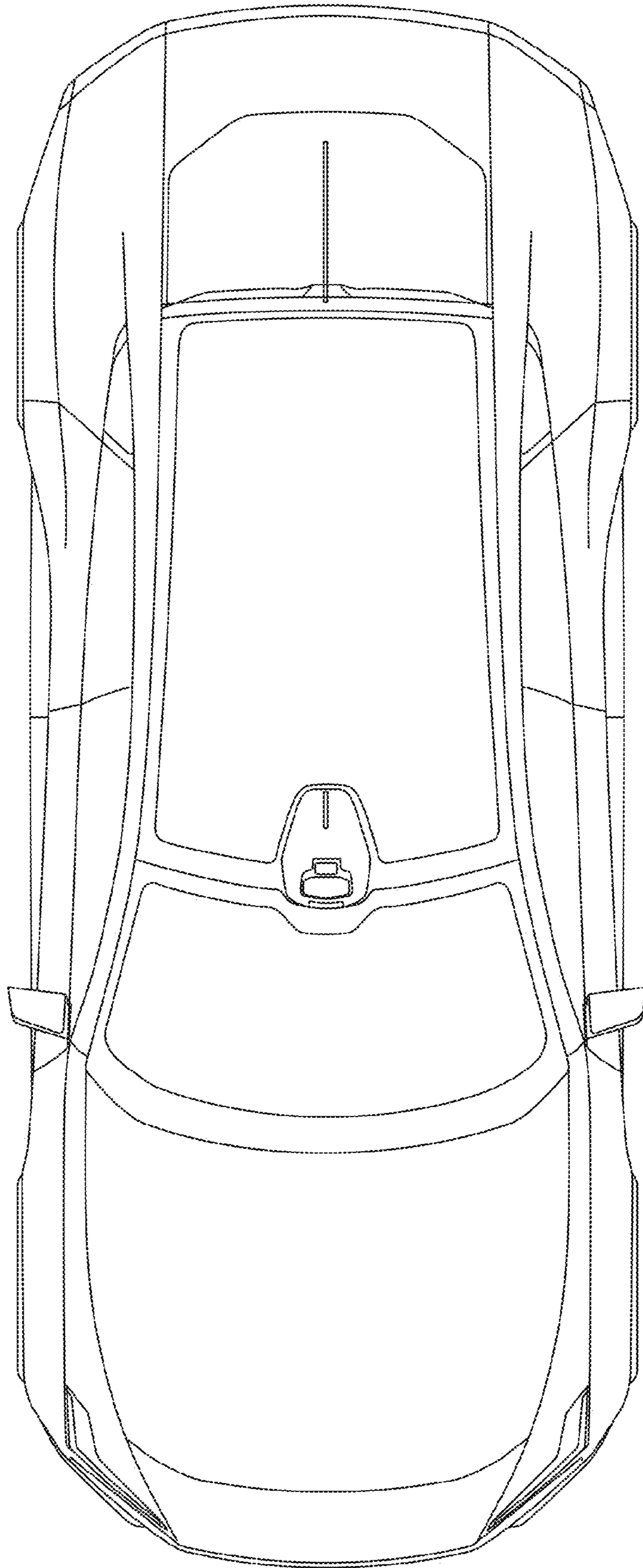


FIG. 5

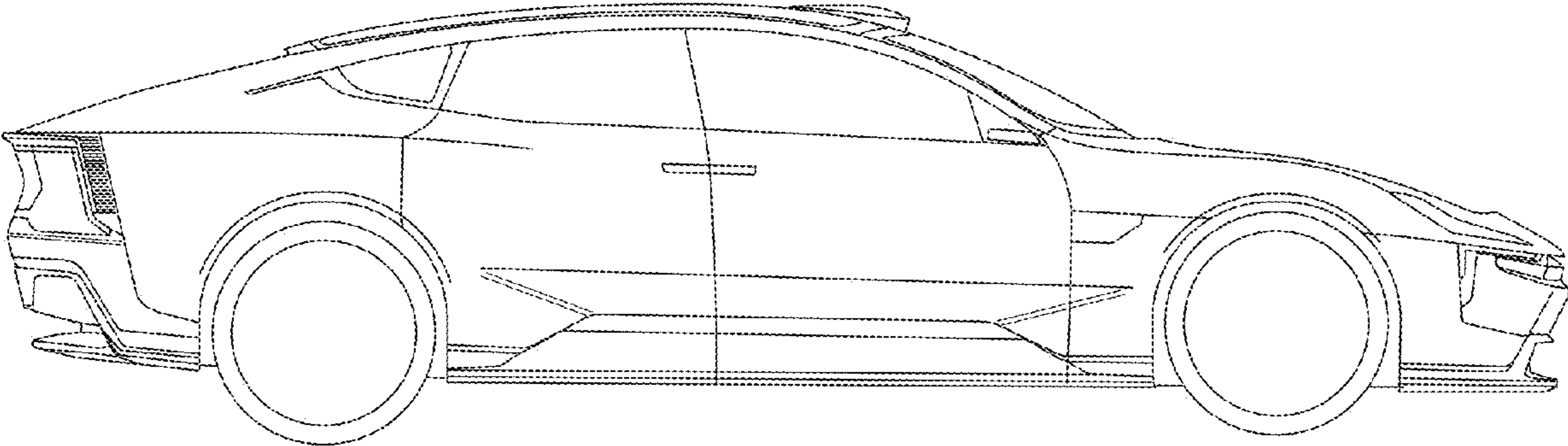


FIG. 6

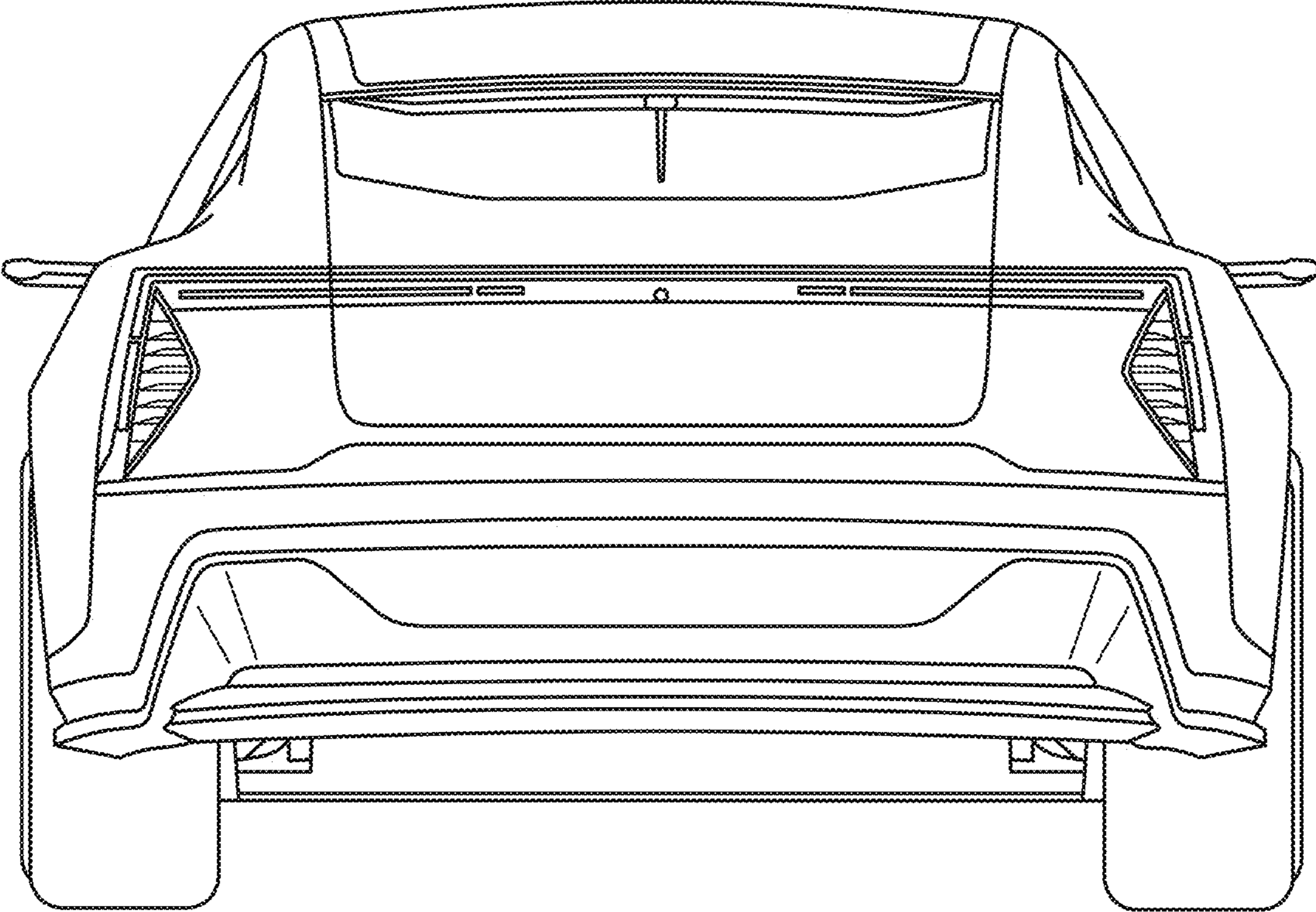


FIG. 7

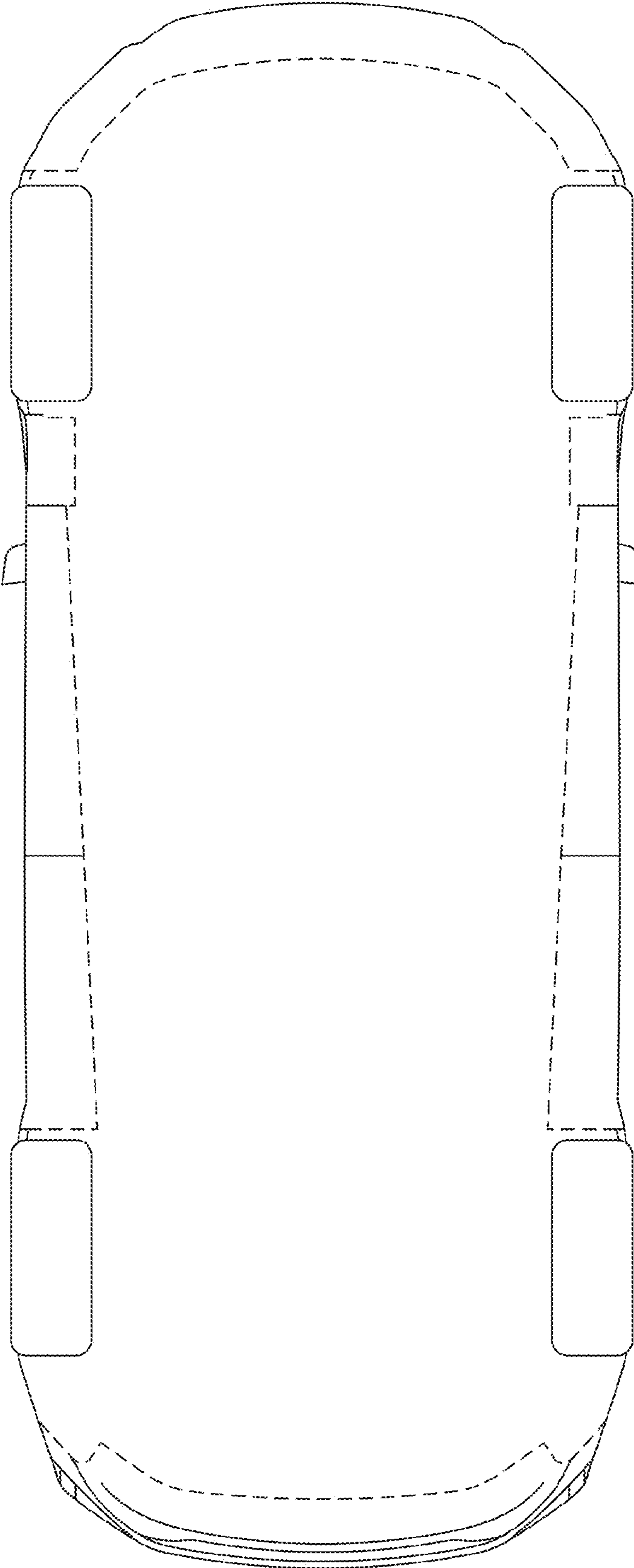


FIG. 8