



US00D978719S

(12) **United States Design Patent**  
**Xiao**

(10) **Patent No.:** **US D978,719 S**

(45) **Date of Patent:** **\*\* Feb. 21, 2023**

(54) **AIRCRAFT TOY**

(71) Applicant: **GUANGDONG SYMA MODEL AIRCRAFT INDUSTRIAL CO., LTD.**, Shantou (CN)

(72) Inventor: **Jiongliang Xiao**, Shantou (CN)

(73) Assignee: **GUANGDONG SYMA MODEL AIRCRAFT INDUSTRIAL CO., LTD.**, Shantou (CN)

(\*\*) Term: **15 Years**

(21) Appl. No.: **29/758,951**

(22) Filed: **Nov. 19, 2020**

(30) **Foreign Application Priority Data**

Oct. 20, 2020 (CN) ..... 202030625718.6

(51) **LOC (14) Cl.** ..... **12-06**

(52) **U.S. Cl.**  
USPC ..... **D12/16.1; D21/430; D21/436**

(58) **Field of Classification Search**  
USPC ..... D12/16.1, 2, 3, 4, 319, 326, 337;  
D21/430, 436, 442, 446, 447, 448, 450  
CPC ..... B64C 29/0008  
See application file for complete search history.

(56) **References Cited**

**U.S. PATENT DOCUMENTS**

D311,514 S *	10/1990	Sano	.....	D12/337
D392,937 S *	3/1998	Brichard	.....	D12/319
D430,529 S *	9/2000	Hajek	.....	D12/319
D530,659 S *	10/2006	Guering	.....	D12/319
D632,345 S *	2/2011	Yuen	.....	D21/450
D739,807 S *	9/2015	Strand	.....	D21/450
D843,305 S *	3/2019	MacAndrew	.....	D12/319
D880,401 S *	4/2020	Mombrinie	.....	D12/337
D881,286 S *	4/2020	Xiao	.....	D21/436
D909,949 S *	2/2021	Williams	.....	D12/326

D947,748 S *	4/2022	Levy	.....	D12/326
11,505,309 B2 *	11/2022	Atkins	.....	B64C 13/16
2003/0040247 A1 *	2/2003	Rehkemper	.....	A63H 27/02 446/34
2022/0250739 A1 *	8/2022	Rimanelli	.....	B64C 17/02
2022/0324558 A1 *	10/2022	Ross	.....	B64C 29/0033
2022/0371727 A1 *	11/2022	Ross	.....	B64D 35/04

**FOREIGN PATENT DOCUMENTS**

WO WO-2021219711 A1 \* 11/2021

**OTHER PUBLICATIONS**

“RC Search & Rescue Folding Copter Drone” YoungExplorers.com, post Published: Unavailable. Retrieved Nov. 28, 2022. Available online at URL:https://www.youngexplorers.com/itemdy00.aspx?I=Y221001&srccode=NXCYC6&utm\_source=google&utm\_medium=comparison&utm\_campaign=%E2%80%A6&stackpro (Year: 2022).\*

(Continued)

*Primary Examiner* — Christian P. McLean  
*Assistant Examiner* — Jessica Lynn Devilbiss  
(74) *Attorney, Agent, or Firm* — WPAT, PC

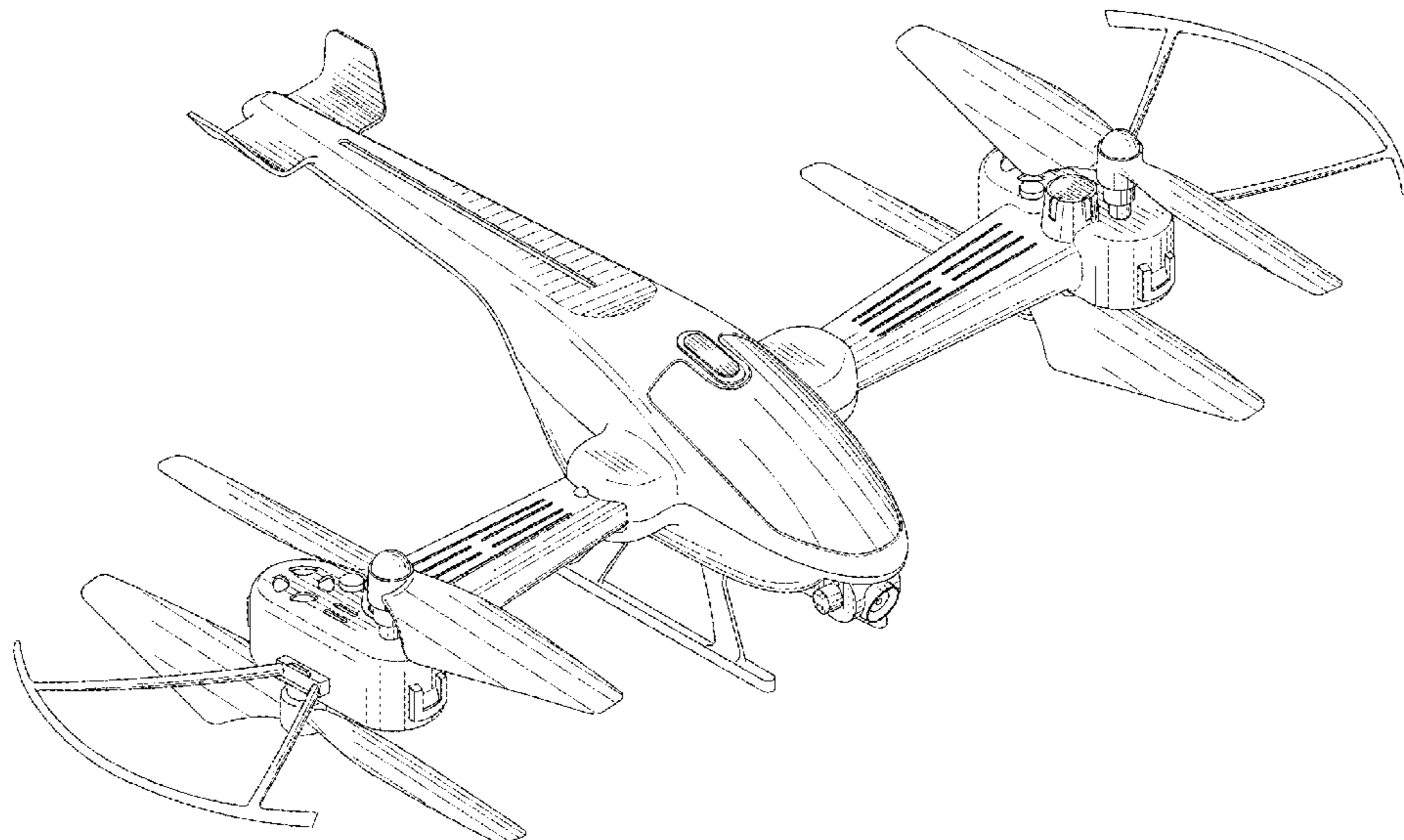
(57) **CLAIM**

The ornamental design for aircraft toy, as shown and described.

**DESCRIPTION**

FIG. 1 is a perspective view of an aircraft toy showing my new design;  
FIG. 2 is a front view thereof;  
FIG. 3 is a rear view thereof;  
FIG. 4 is a left side view thereof;  
FIG. 5 is a right side view thereof;  
FIG. 6 is a top view thereof; and,  
FIG. 7 is a bottom view thereof.

**1 Claim, 5 Drawing Sheets**



(56)

**References Cited**

OTHER PUBLICATIONS

“SYMA X700 RC Helicopter Quadcopter Drone Toys for Adults Kids” Symatoys.com, post Published: Unavailable. Retrieved Nov. 28, 2022. Available online at URL: <https://www.symatoys.com.cn/products/syma-x700-rc-helicopter-quadcopter-drone-toys-for-adults-kids> (Year: 2022).\*

\* cited by examiner

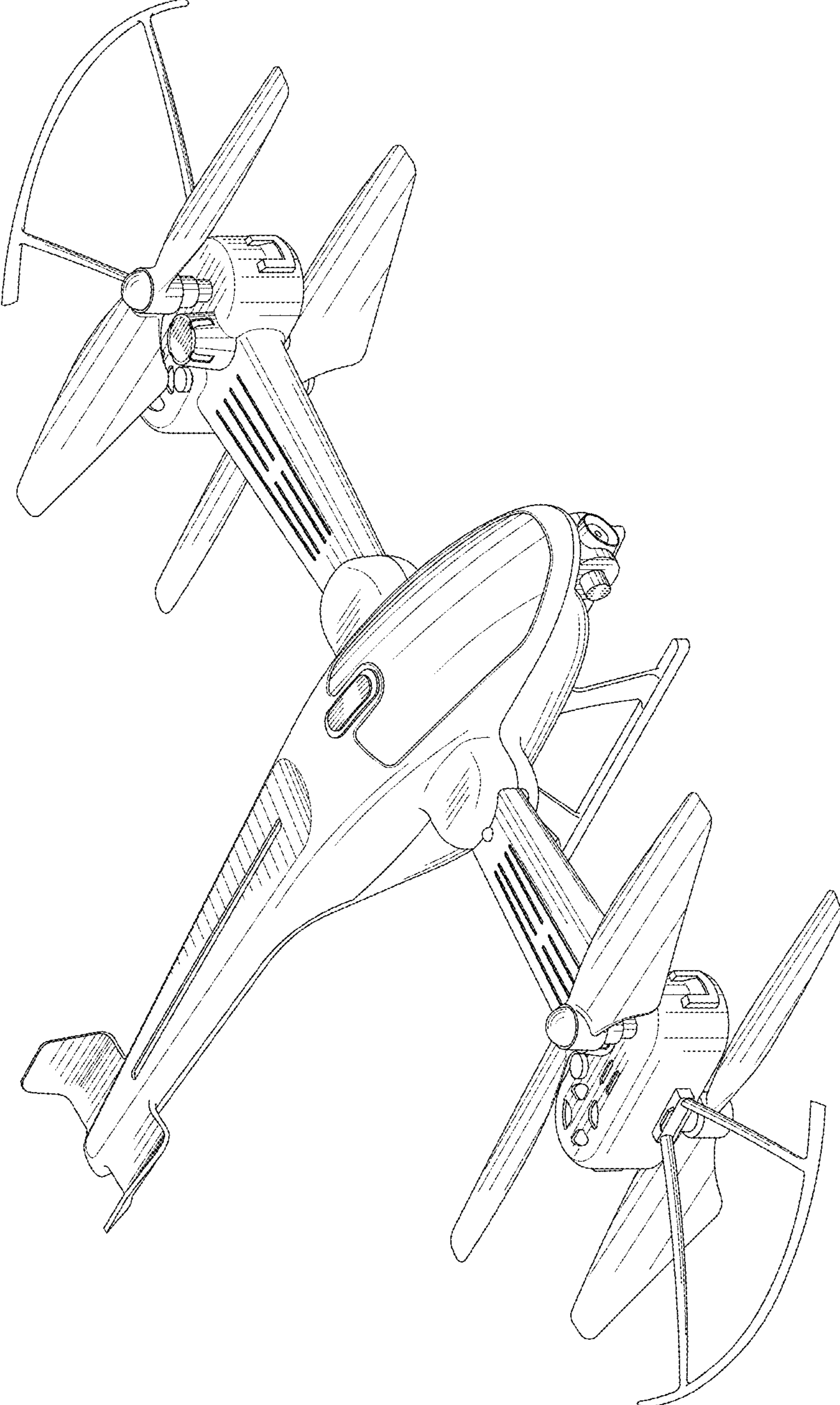


FIG. 1

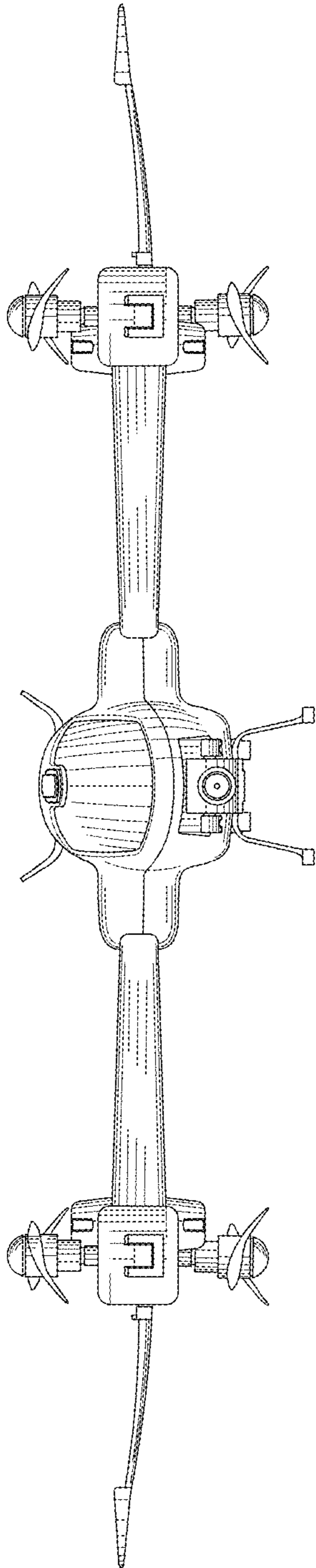


FIG. 2

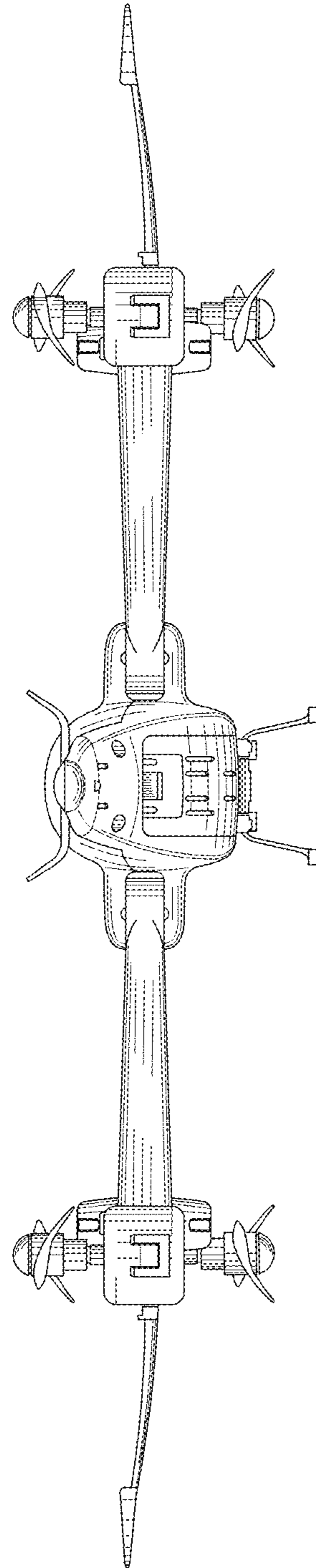


FIG. 3

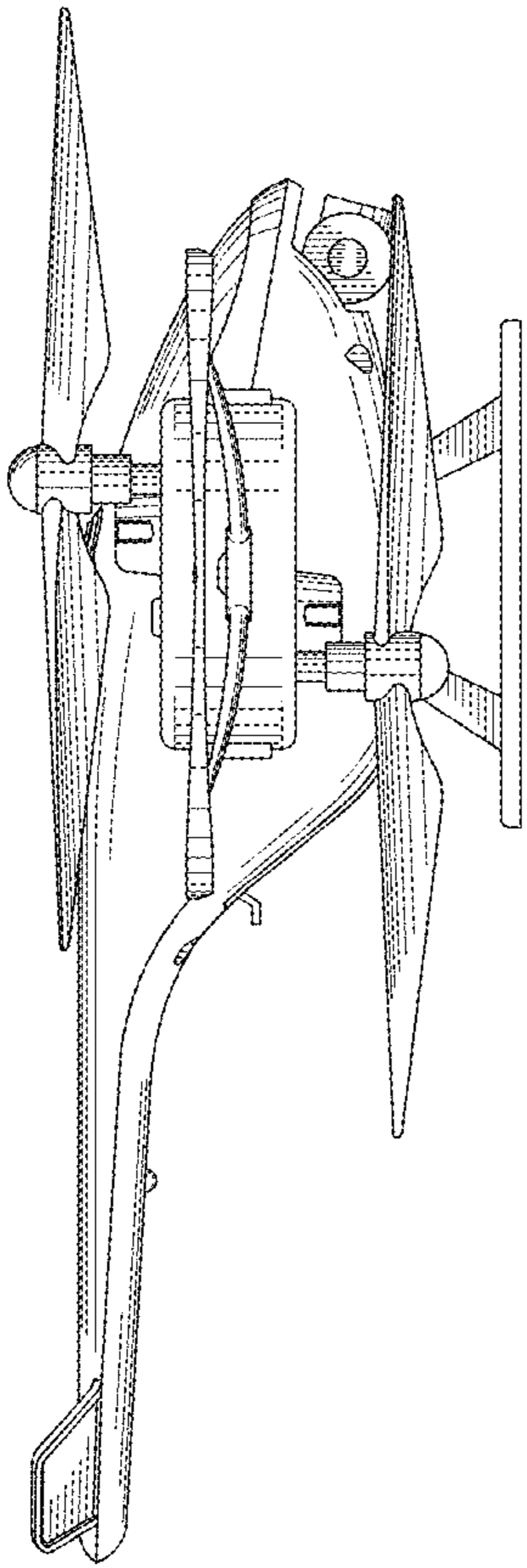


FIG. 4

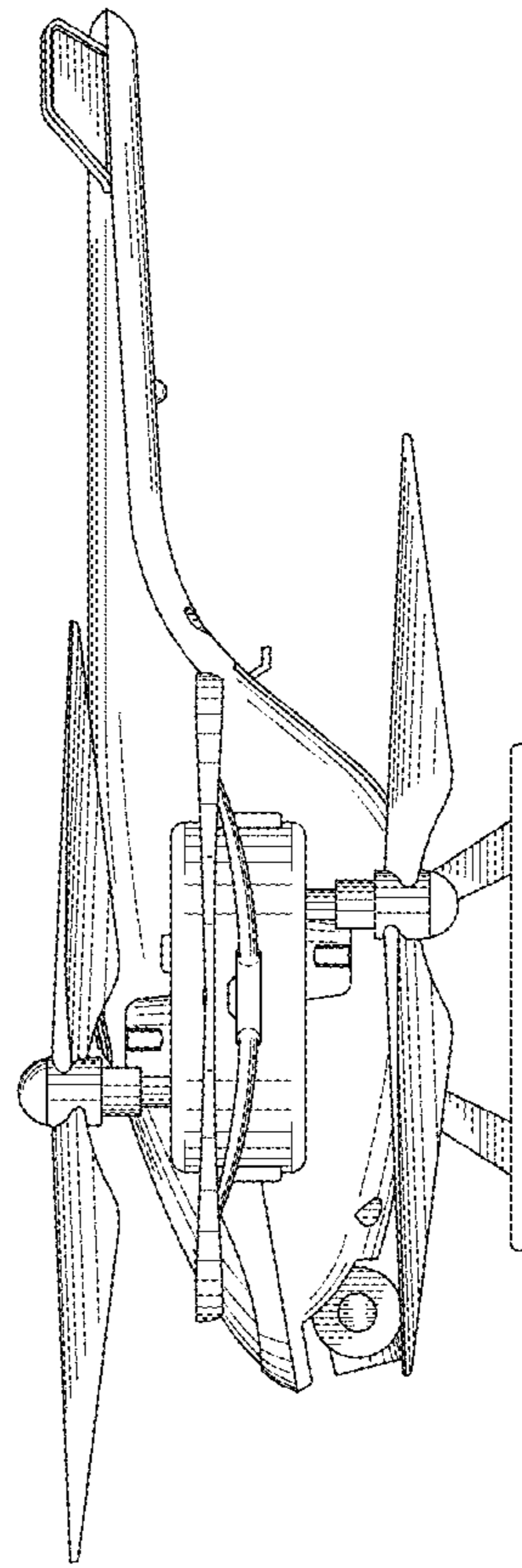


FIG. 5

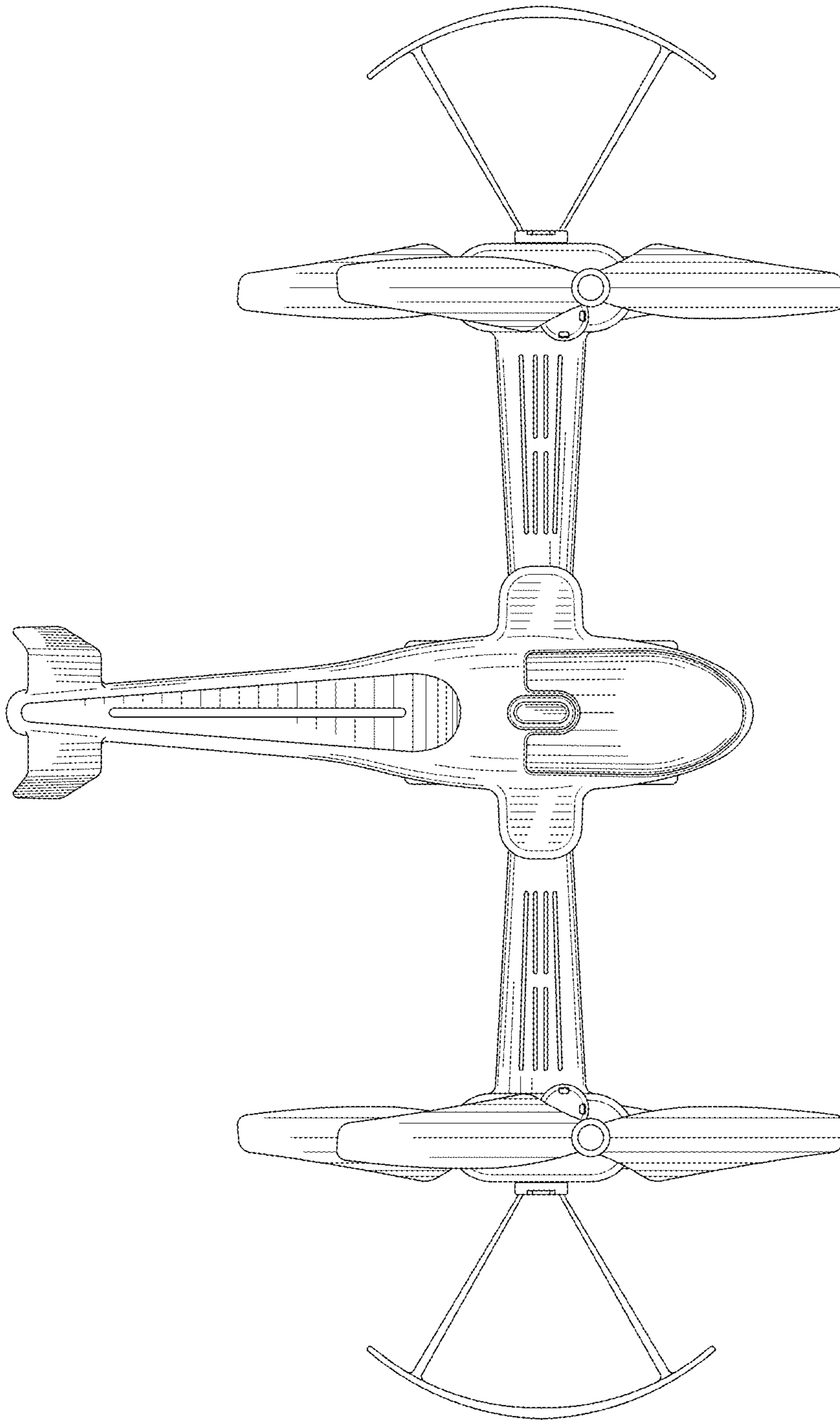


FIG. 6

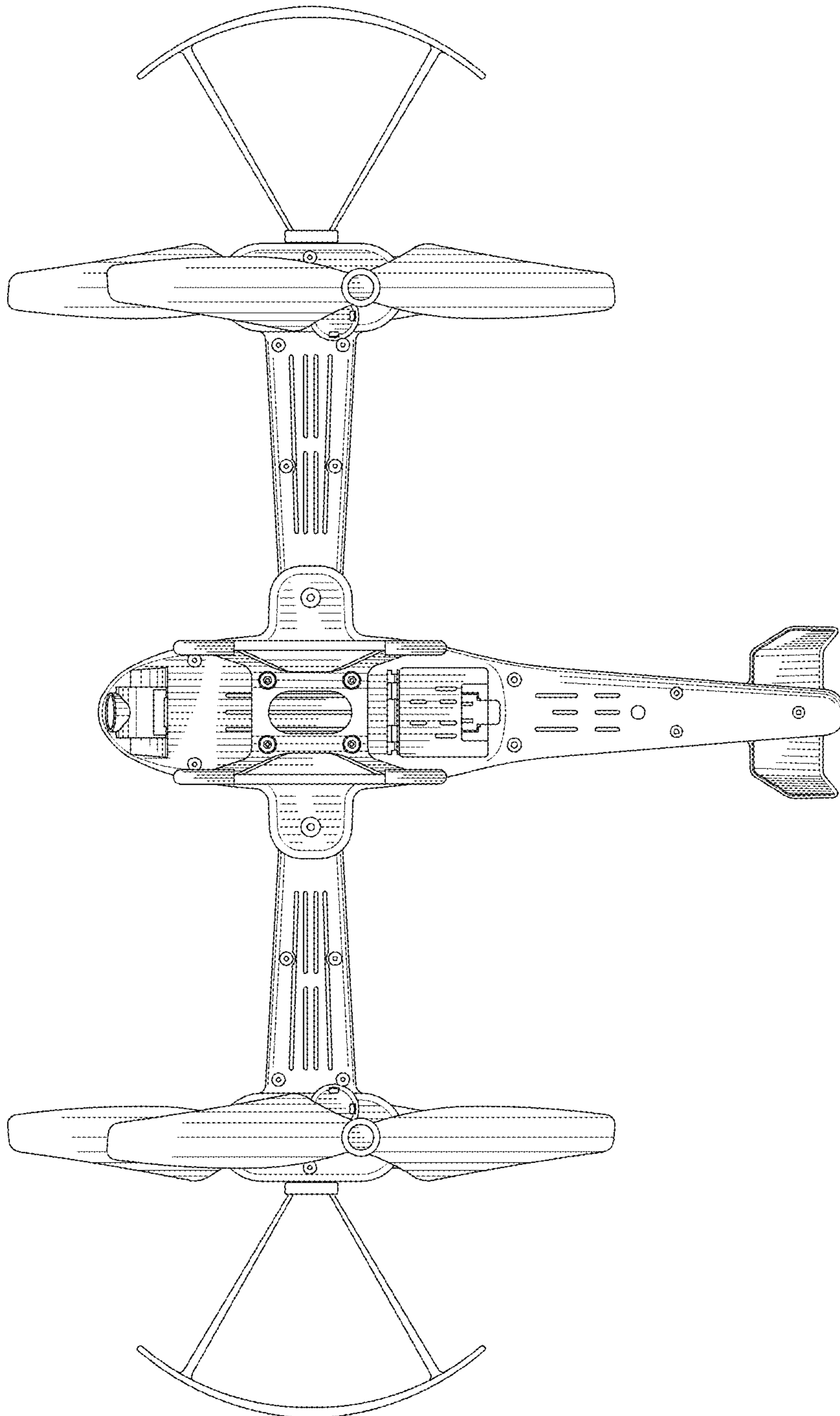


FIG. 7