



US00D978718S

(12) **United States Design Patent** (10) **Patent No.:** **US D978,718 S**  
**Xiao** (45) **Date of Patent:** **\*\* Feb. 21, 2023**

(54) **AIRCRAFT TOY**

(71) Applicant: **GUANGDONG SYMA MODEL AIRCRAFT INDUSTRIAL CO., LTD.**, Shantou (CN)

(72) Inventor: **Jiongliang Xiao**, Shantou (CN)

(73) Assignee: **GUANGDONG SYMA MODEL AIRCRAFT INDUSTRIAL CO., LTD.**, Shantou (CN)

(\*\*) Term: **15 Years**

(21) Appl. No.: **29/758,937**

(22) Filed: **Nov. 19, 2020**

(30) **Foreign Application Priority Data**

Oct. 20, 2020 (CN) ..... 202030624864.7

(51) **LOC (14) Cl.** ..... **12-06**

(52) **U.S. Cl.**  
USPC ..... **D12/16.1; D21/436; D21/442**

(58) **Field of Classification Search**  
USPC ..... **D12/16.1, 1, 2, 3, 4, 326; D21/430, 436, D21/442, 446, 450**

(Continued)

(56) **References Cited**

**U.S. PATENT DOCUMENTS**

D817,850 S \* 5/2018 Xiao ..... D12/328  
D874,973 S \* 2/2020 Zhou ..... D12/16.1

(Continued)

**FOREIGN PATENT DOCUMENTS**

CN 111516770 B \* 7/2022 ..... B60F 5/02  
KR 20220150733 A \* 11/2022 ..... B64C 2201/024

**OTHER PUBLICATIONS**

“SYMAX600 Foldable Drone with Altitude Hold and Headless Mode for Adults” amazon.com, post Published: Unavailable. Retrieved

Nov. 28, 2022. Available online a URL: [https://www.amazon.com/SYMA-Foldable-Quadcopter-Adjustment-Beginners/dp/B09B4RXX4H/ref=asc\\_df\\_B09B4RXX4H?ta](https://www.amazon.com/SYMA-Foldable-Quadcopter-Adjustment-Beginners/dp/B09B4RXX4H/ref=asc_df_B09B4RXX4H?ta) (Year: 2022).\*

*Primary Examiner* — Christian P. McLean  
*Assistant Examiner* — Jessica Lynn Devilbiss  
(74) *Attorney, Agent, or Firm* — WPAT, PC

(57) **CLAIM**

The ornamental design for aircraft toy, as shown and described.

**DESCRIPTION**

FIG. 1 is a perspective view of an aircraft toy showing my new design;  
FIG. 2 is a front view of the aircraft toy’s propeller arm at first position;  
FIG. 3 is a rear view of the aircraft toy’s propeller arm at first position;  
FIG. 4 is a right side view of the aircraft toy’s propeller arm at first position;  
FIG. 5 is a left side view of the aircraft toy’s propeller arm at first position;  
FIG. 6 is a top view of the aircraft toy’s propeller arm at first position;  
FIG. 7 is a bottom view of the aircraft toy’s propeller arm at first position;  
FIG. 8 is a perspective view of the aircraft toy’s propeller arm at second position;  
FIG. 9 is a front view of the aircraft toy’s propeller arm at second position;  
FIG. 10 is a rear view of the aircraft toy’s propeller arm at second position;  
FIG. 11 is a right side view of the aircraft toy’s propeller arm at second position;  
FIG. 12 is a left side view of the aircraft toy’s propeller arm at second position;  
FIG. 13 is a top view of the aircraft toy’s propeller arm at second position; and,

(Continued)

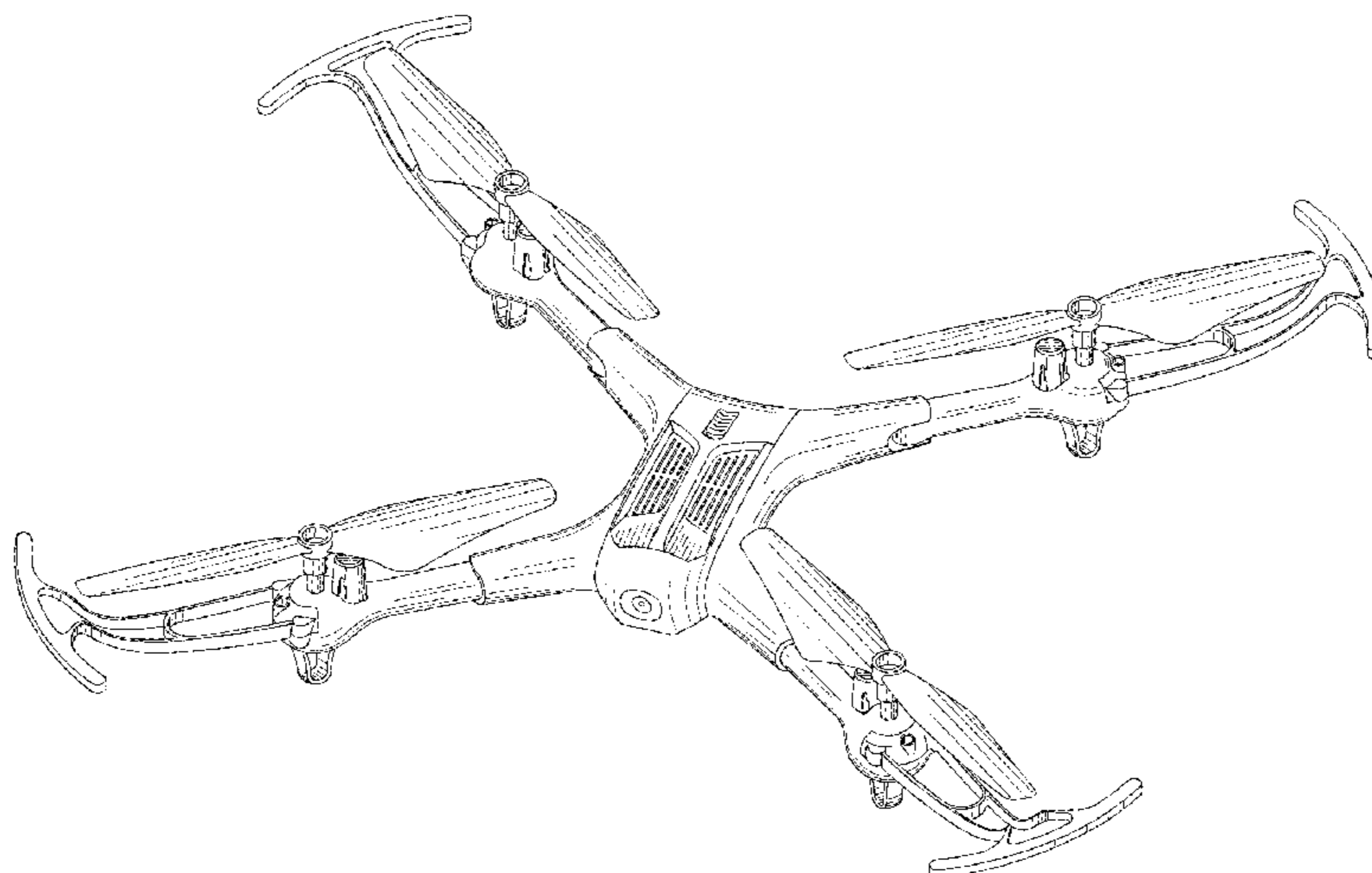


FIG. 14 is a bottom view of the aircraft toy's propeller arm at second position.

**1 Claim, 9 Drawing Sheets**

**(58) Field of Classification Search**

CPC ..... B64C 39/00  
See application file for complete search history.

**(56) References Cited**

U.S. PATENT DOCUMENTS

D883,141 S \* 5/2020 Lin ..... D12/16.1  
D902,078 S \* 11/2020 Tompkin ..... D12/16.1  
D944,118 S \* 2/2022 Lin ..... D12/16.1  
D966,144 S \* 10/2022 Wang ..... D12/16.1

\* cited by examiner

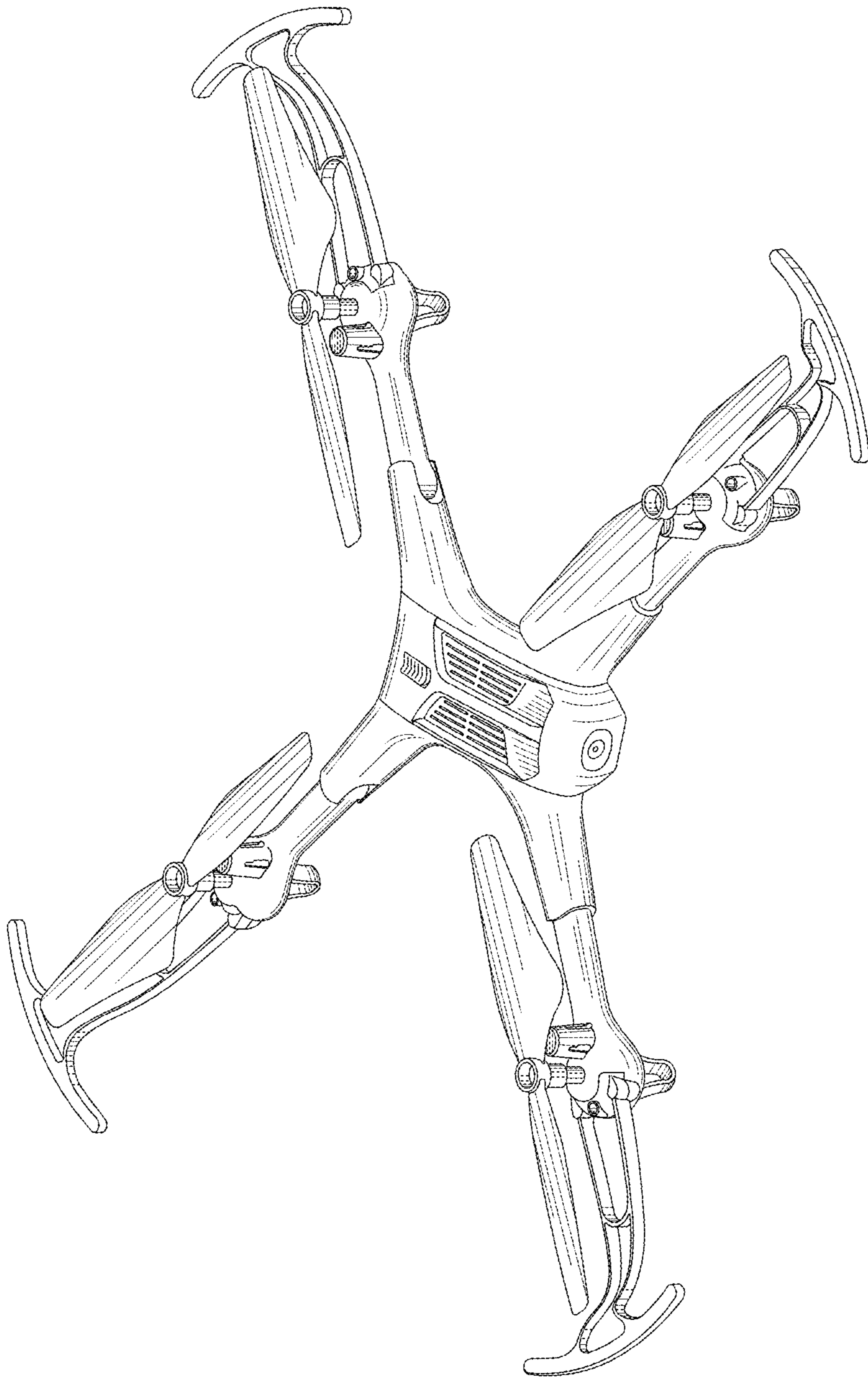


FIG. 1

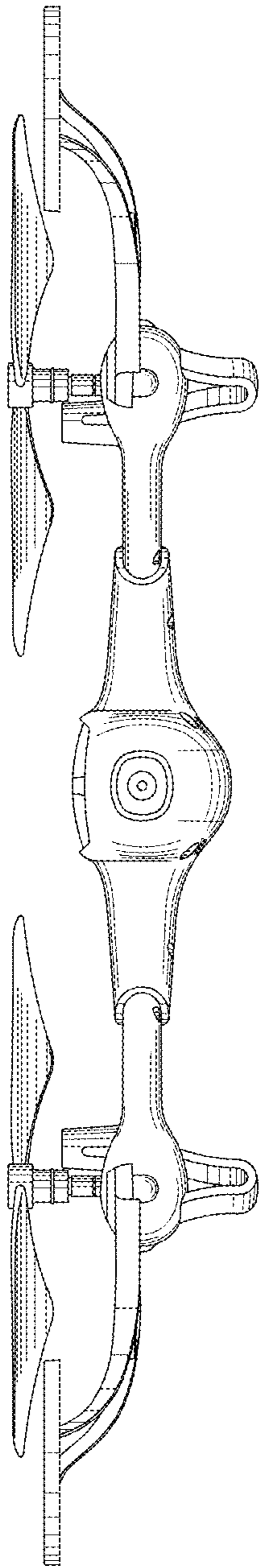


FIG. 2

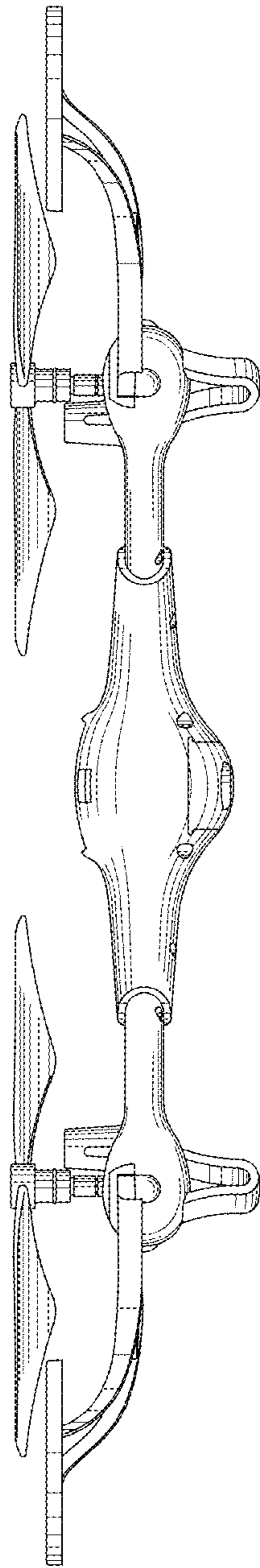


FIG. 3

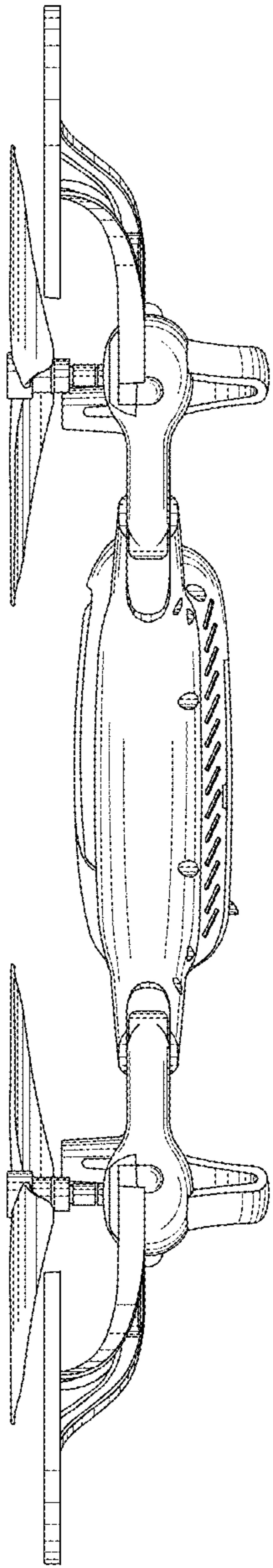


FIG. 4

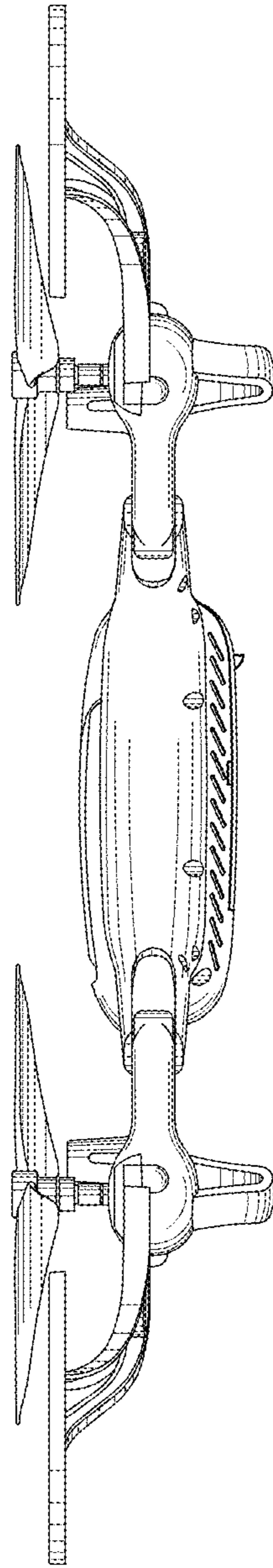


FIG. 5

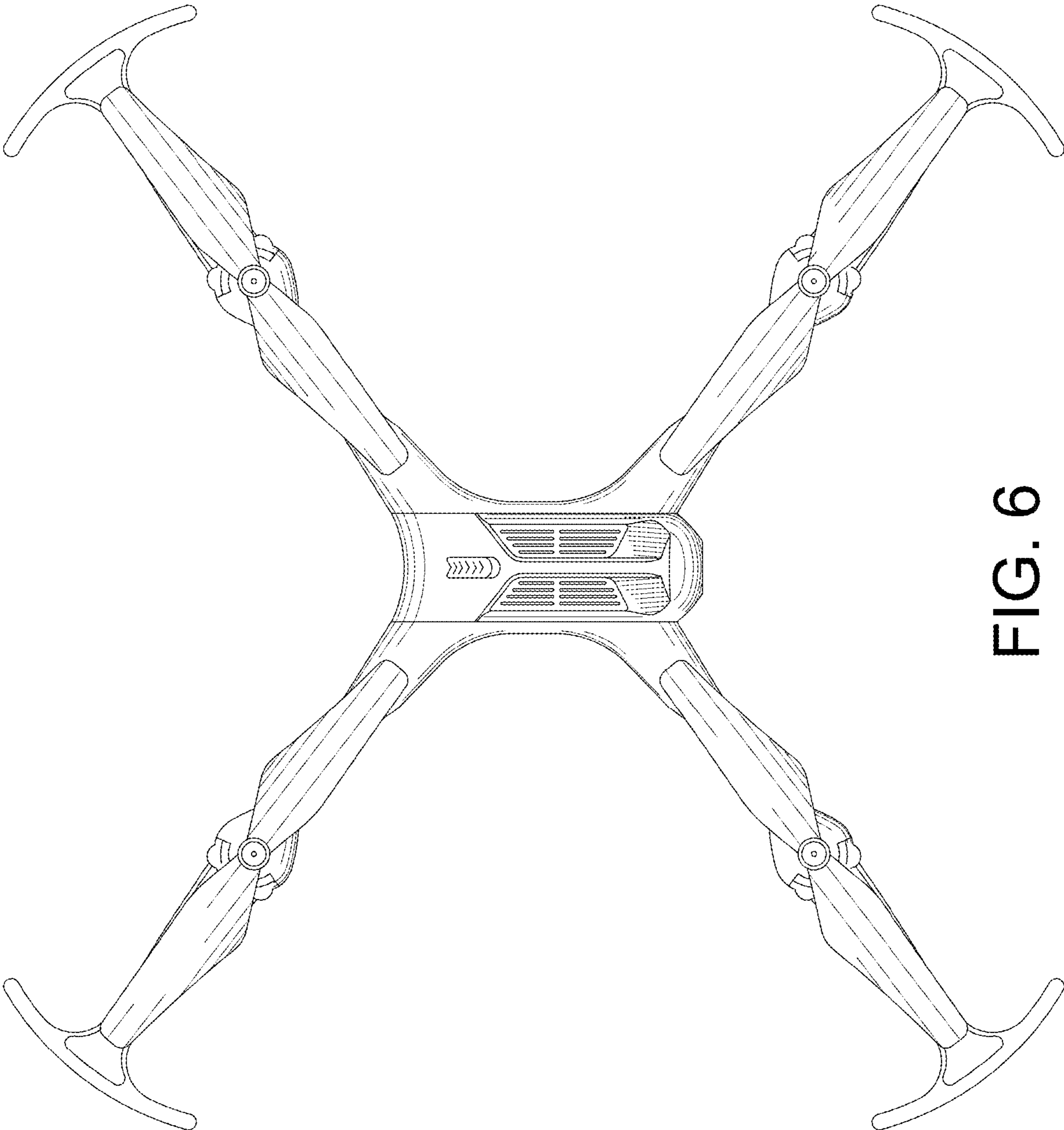


FIG. 6

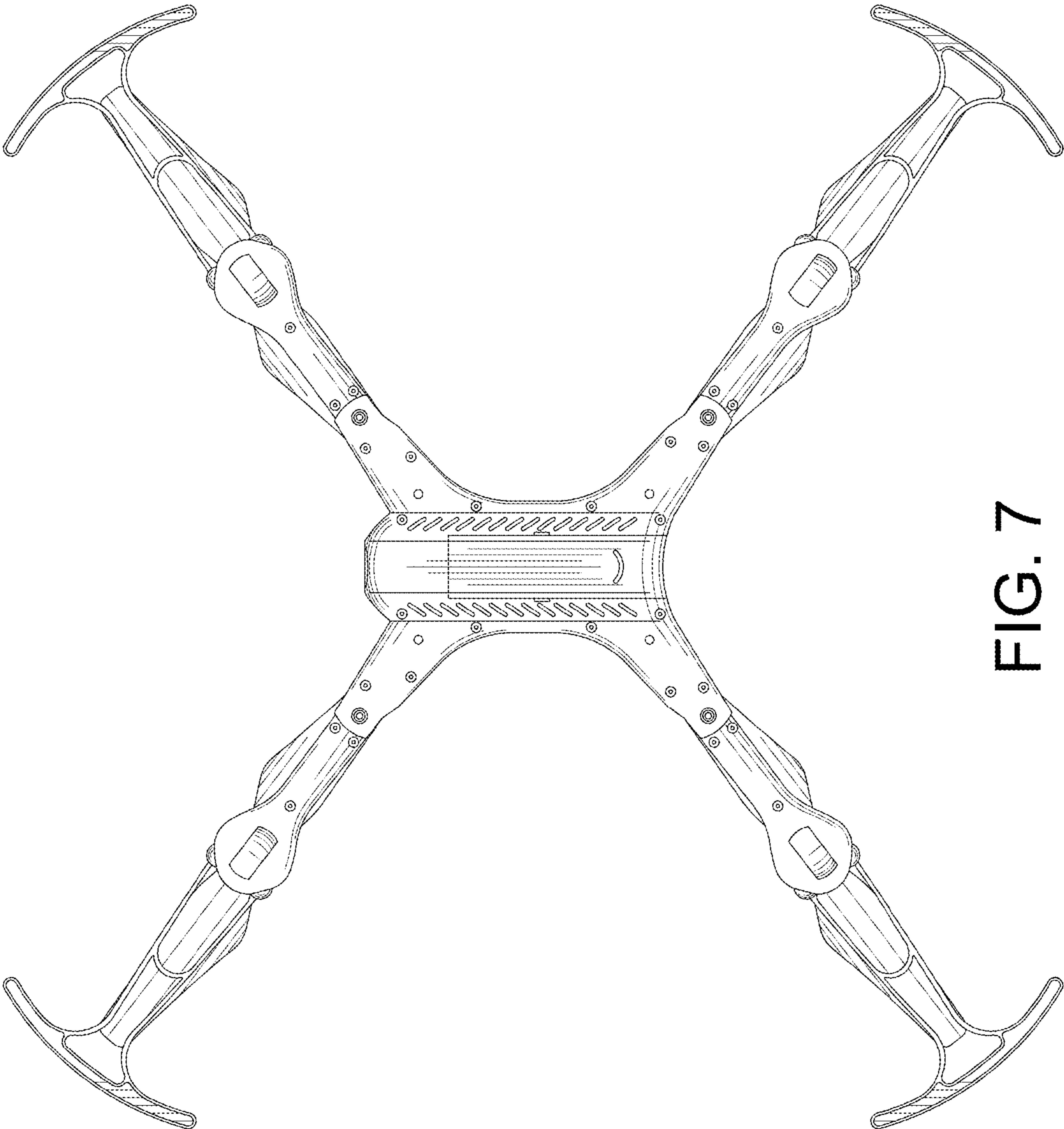


FIG. 7

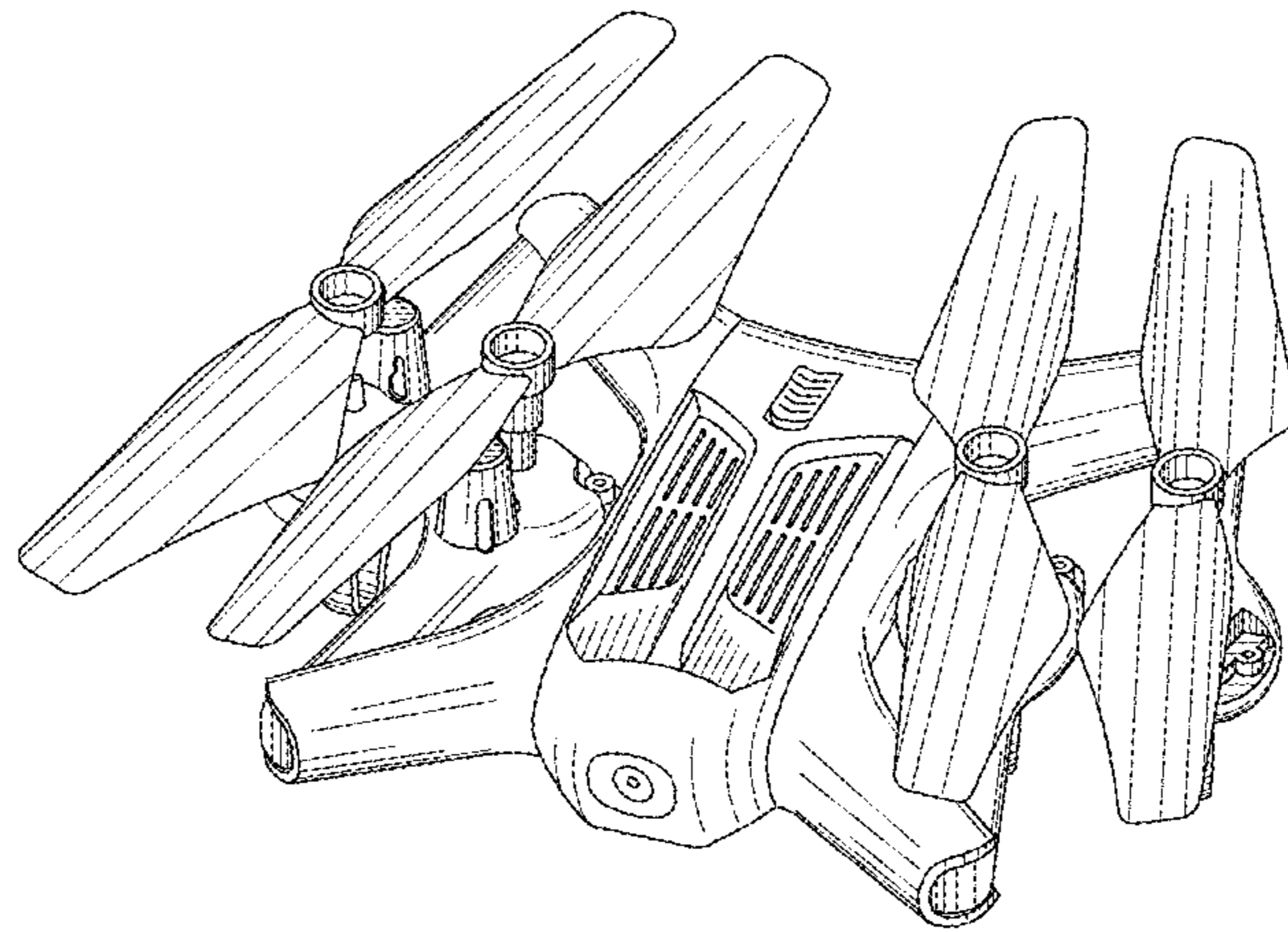


FIG. 8



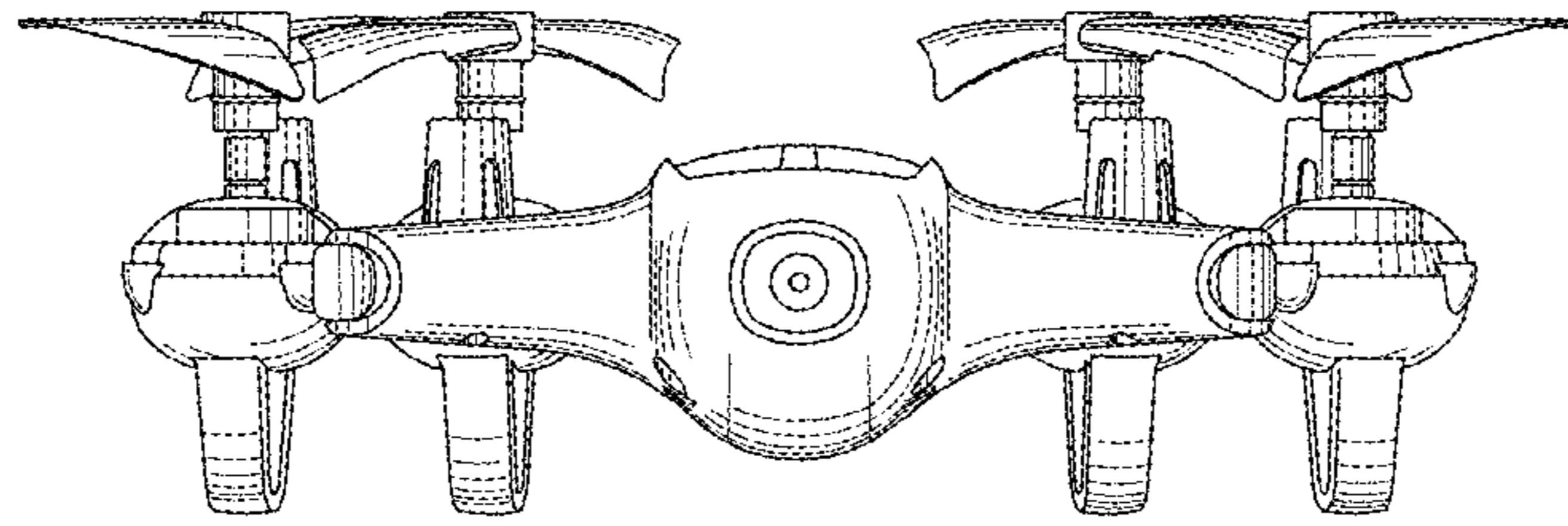


FIG. 9

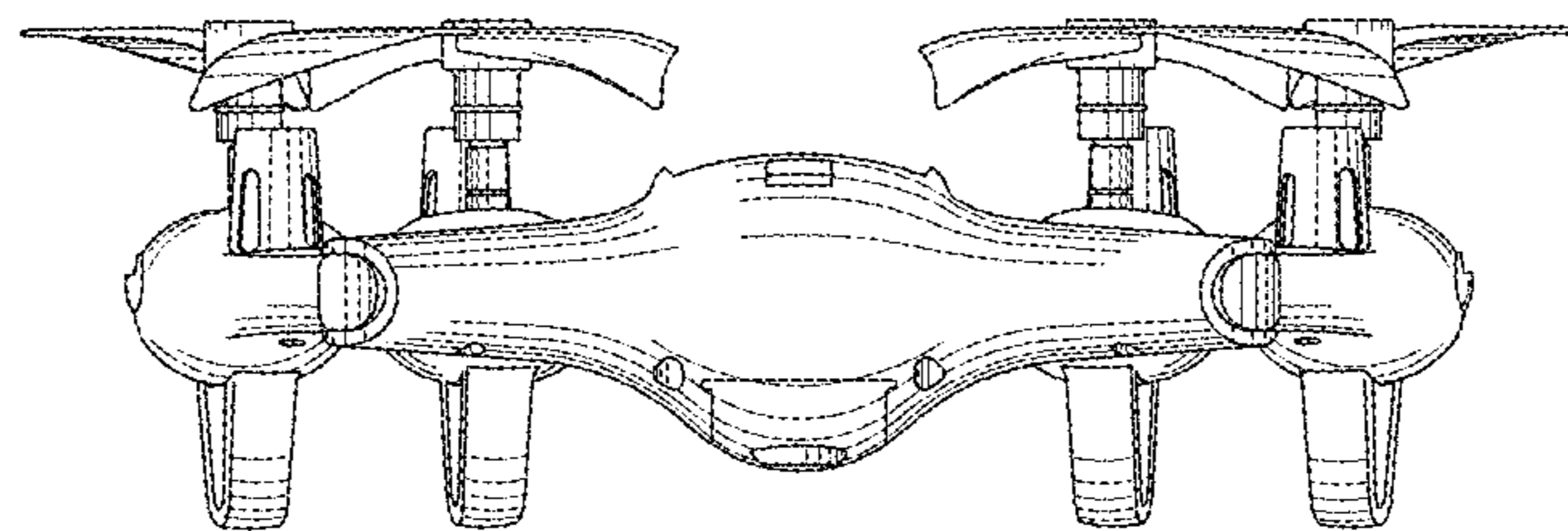


FIG. 10

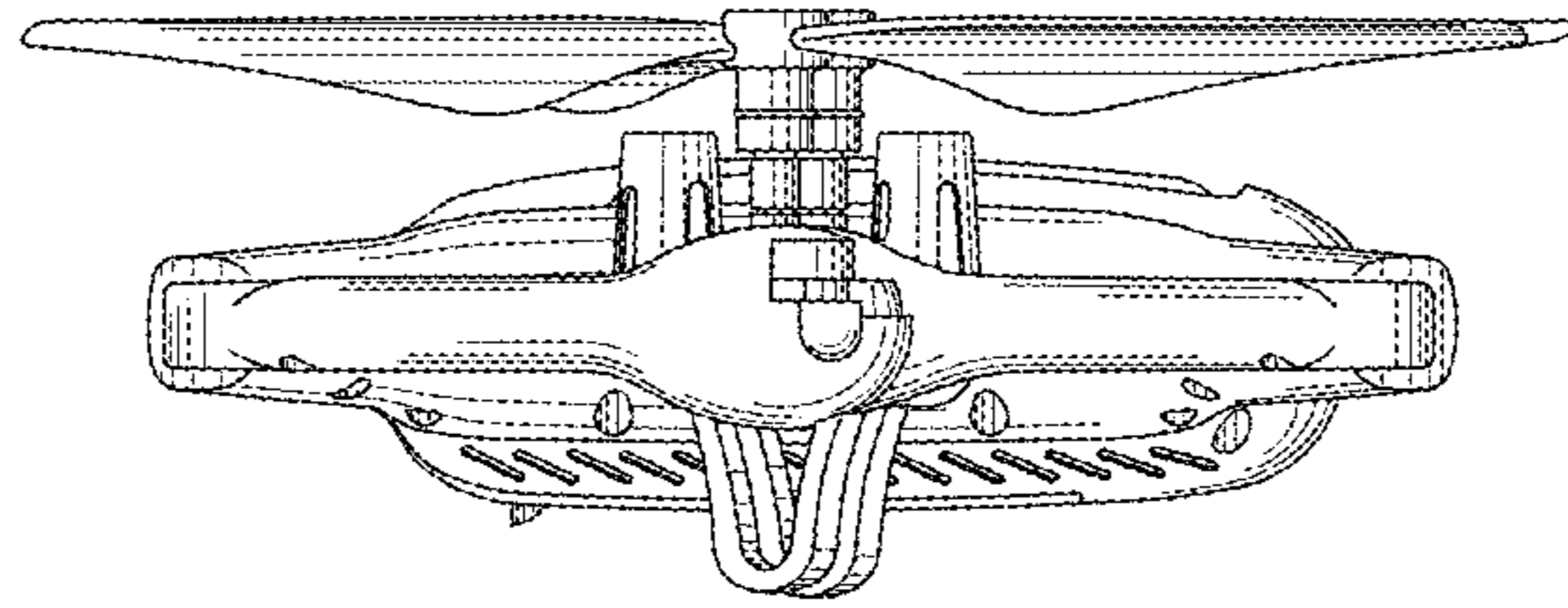


FIG. 11

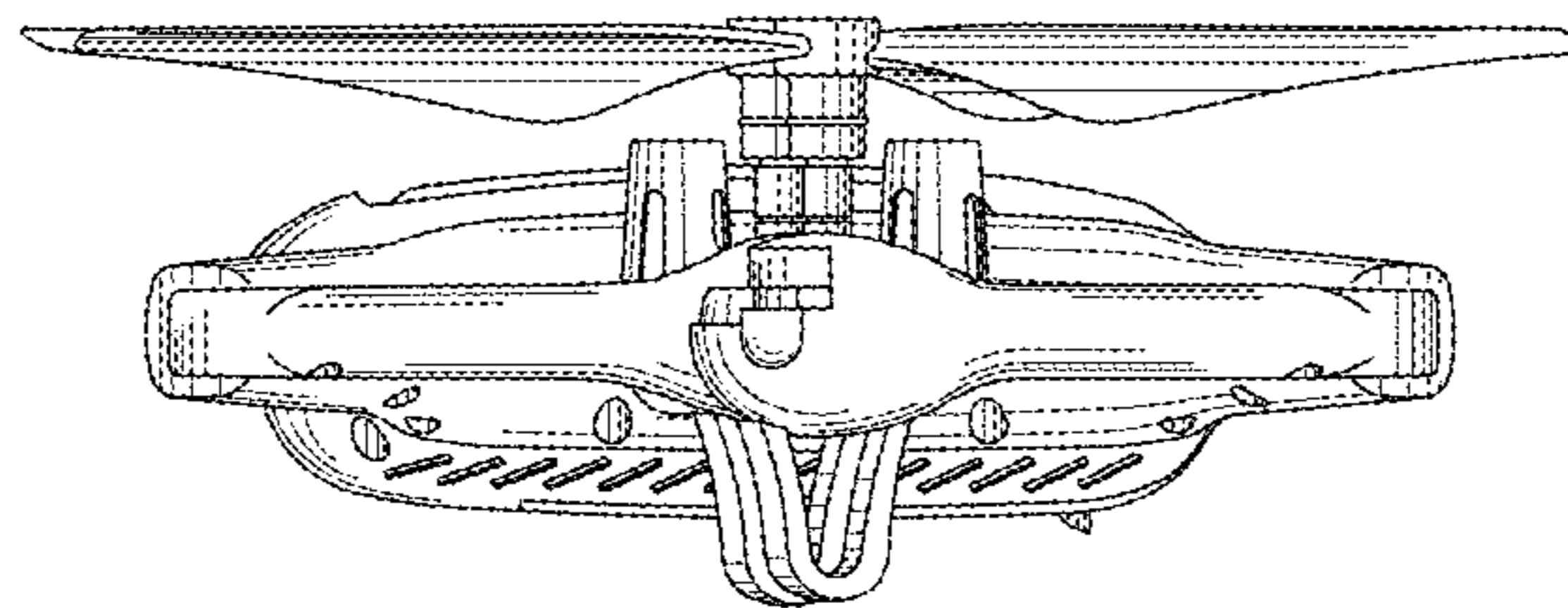


FIG. 12

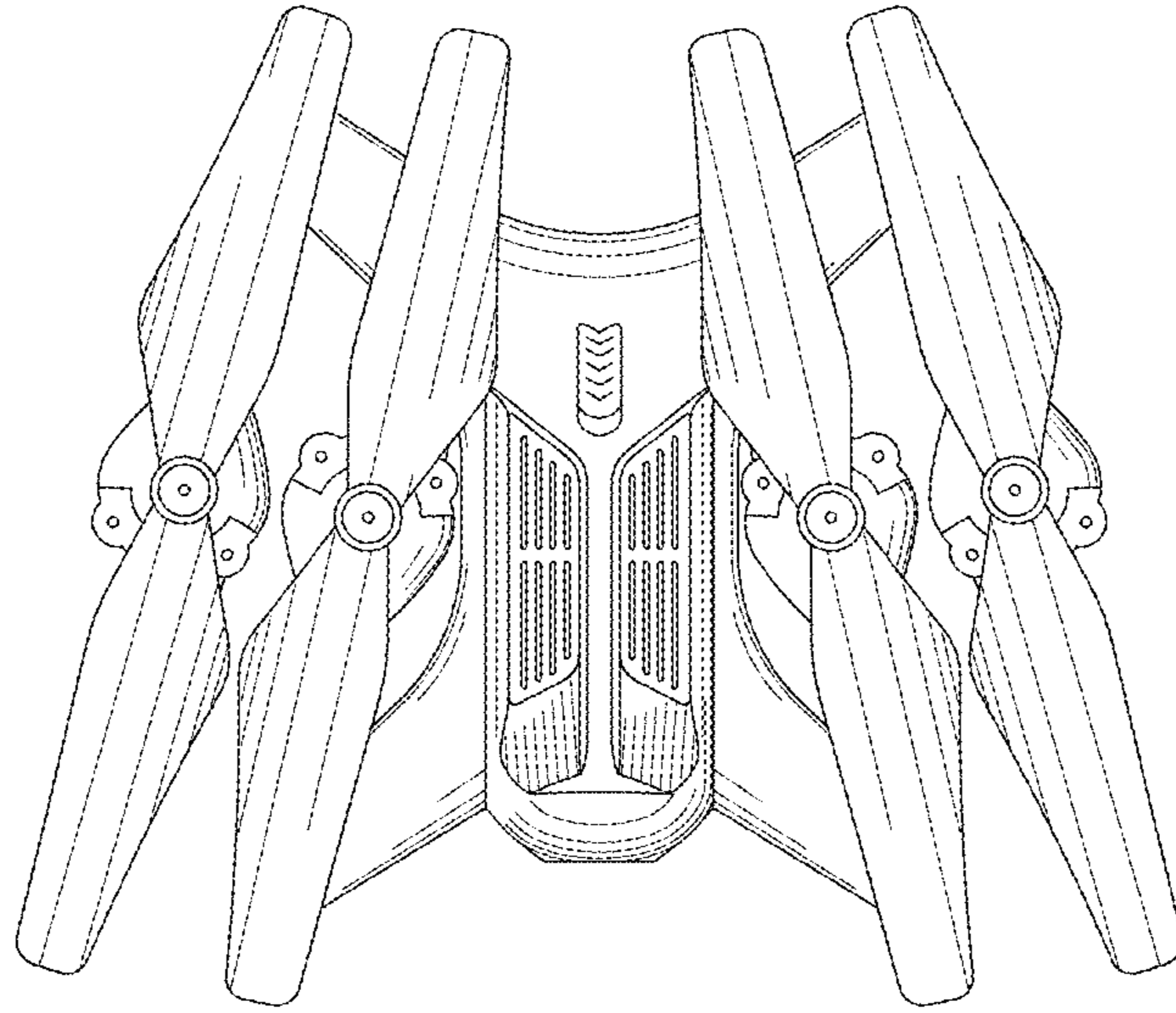


FIG. 13

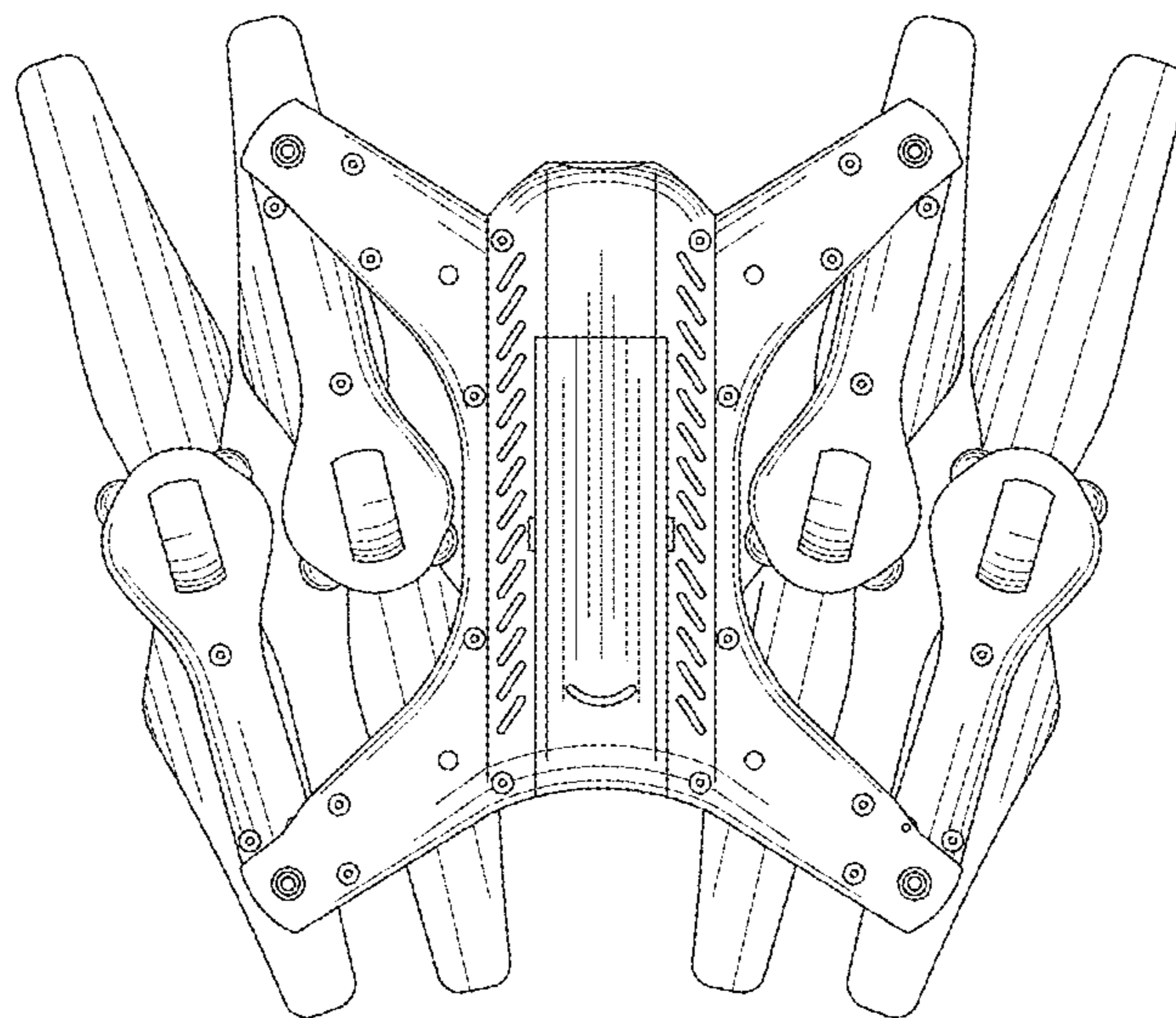


FIG. 14