



US00D978717S

(12) **United States Design Patent**  
**Merdinger**

(10) **Patent No.:** **US D978,717 S**

(45) **Date of Patent:** **\*\* Feb. 21, 2023**

(54) **PERSONAL AIRCRAFT**

(71) Applicant: **Doroni Aerospace Inc.**, Coral Springs,  
FL (US)

(72) Inventor: **Doron Merdinger**, Boca Raton, FL  
(US)

(73) Assignee: **Doroni Aerospace Inc.**, Coral Springs,  
FL (US)

(\*\*) Term: **15 Years**

(21) Appl. No.: **29/756,587**

(22) Filed: **Oct. 29, 2020**

(51) **LOC (14) Cl.** ..... **12-06**

(52) **U.S. Cl.**  
USPC ..... **D12/16.1**; D21/443; D21/444

(58) **Field of Classification Search**  
USPC ..... D12/16.1, 1-4, 345, 326, 319; D21/443,  
D21/444, 446-454  
CPC ... B64C 27/22; B64C 29/00; B64C 2201/141;  
B64C 2201/20; B64C 2201/027  
See application file for complete search history.

(56) **References Cited**

**U.S. PATENT DOCUMENTS**

D194,817 S *	3/1963	Paxhia et al.	.....	D12/330
D708,272 S *	7/2014	Schmelter	.....	D12/330
D869,334 S *	12/2019	Stroppiana	.....	B64C 1/30
				D12/16.1
D872,004 S *	1/2020	Nunes	.....	D12/328
D875,021 S *	2/2020	Nunes	.....	D12/326
D906,170 S *	12/2020	Thompson	.....	D12/16.1
D925,399 S *	7/2021	Zhang	.....	D12/16.1
D951,137 S *	5/2022	Zhou	.....	D12/4

D966,170 S *	10/2022	Ayas	.....	D12/319
2019/0351999 A1 *	11/2019	Stamps	.....	B64D 27/10
2020/0079503 A1 *	3/2020	Bailey	.....	B64C 23/069
2020/0262553 A1 *	8/2020	Gomez	.....	B64C 29/0033
2020/0324893 A1 *	10/2020	Mills	.....	B64C 37/02
2021/0331794 A1 *	10/2021	Burns	.....	B64C 25/40
2022/0081107 A1 *	3/2022	Merdinger	.....	B64C 27/10

**OTHER PUBLICATIONS**

“ATOYX Mini Drone for Kids & Beginners, Indoor Portable Hand Operated/RC Nano Helicopter.” amazon.com, post Published Sep. 14, 2021. Retrieved Aug. 24, 2018. Available online at URL:https://www.amazon.com/ATOYX-Quadcopter-Helicopter-Batteries-Beginners/dp/B07GTCB7G7(Year: 2018).\*

\* cited by examiner

*Primary Examiner* — Christian P. McLean  
*Assistant Examiner* — Jessica Lynn Devilbiss  
(74) *Attorney, Agent, or Firm* — Cittone Demers & Arneri LLP; James P. Demers

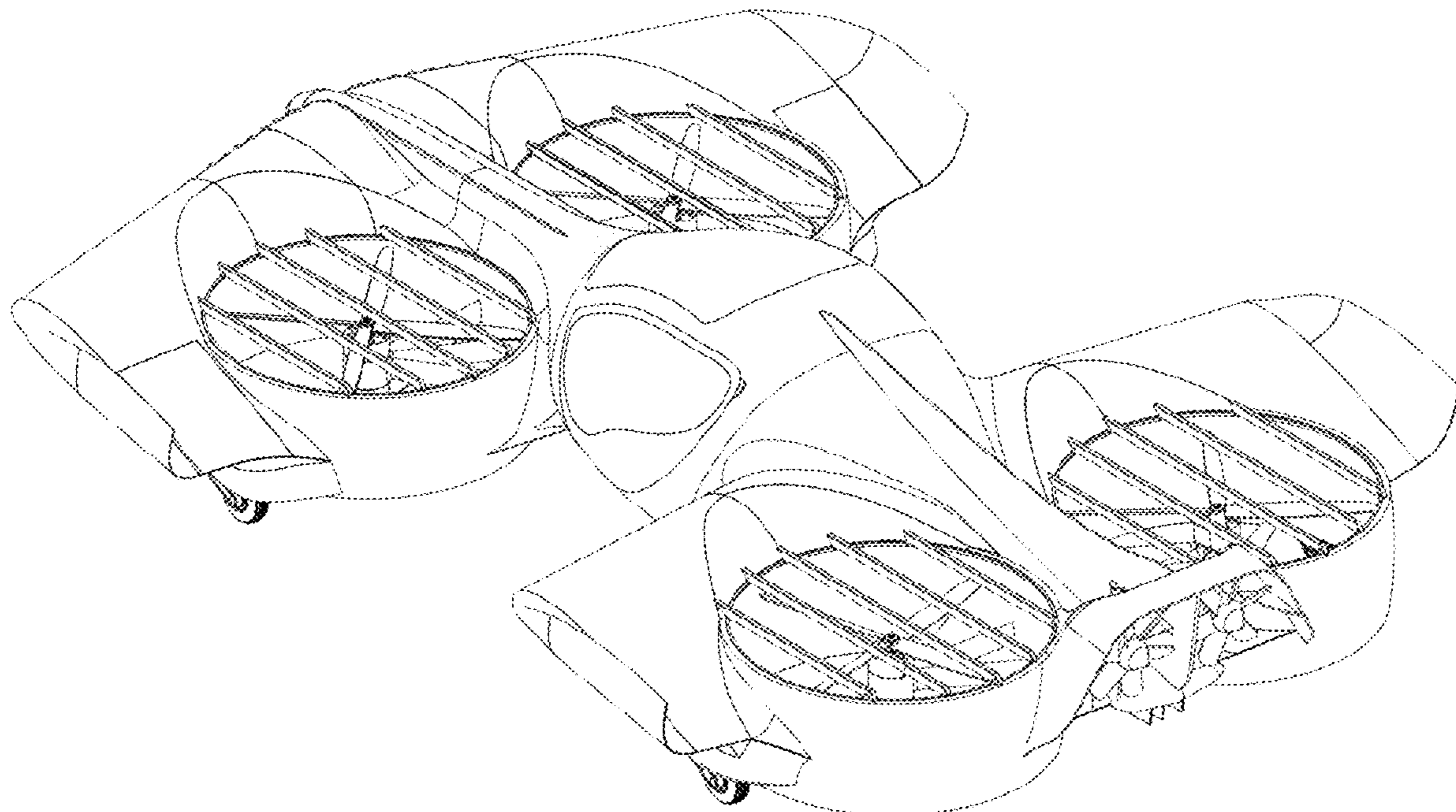
(57) **CLAIM**

The ornamental design for a personal aircraft, as shown and described.

**DESCRIPTION**

FIG. 1 is a perspective view of the design for my personal aircraft.  
FIG. 2 is a left side elevation view of the design.  
FIG. 3 is a top plan view of the design.  
FIG. 4 is a bottom plan view of the design.  
FIG. 5 is a front elevation view of the design; and,  
FIG. 6 is rear elevation view of the design.  
The right side elevation view is a mirror image of the left side elevation view.

**1 Claim, 4 Drawing Sheets**



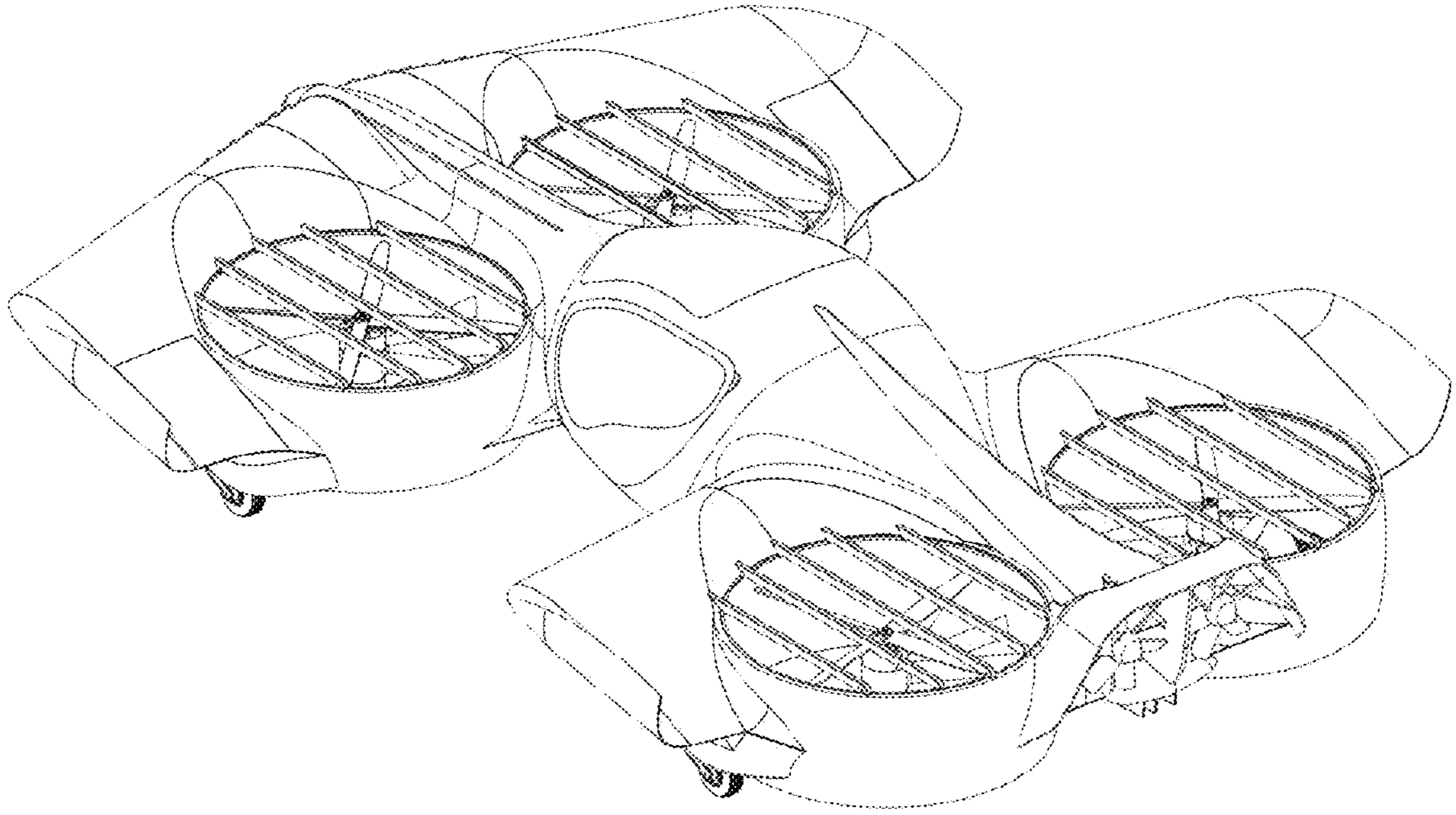


Fig. 1

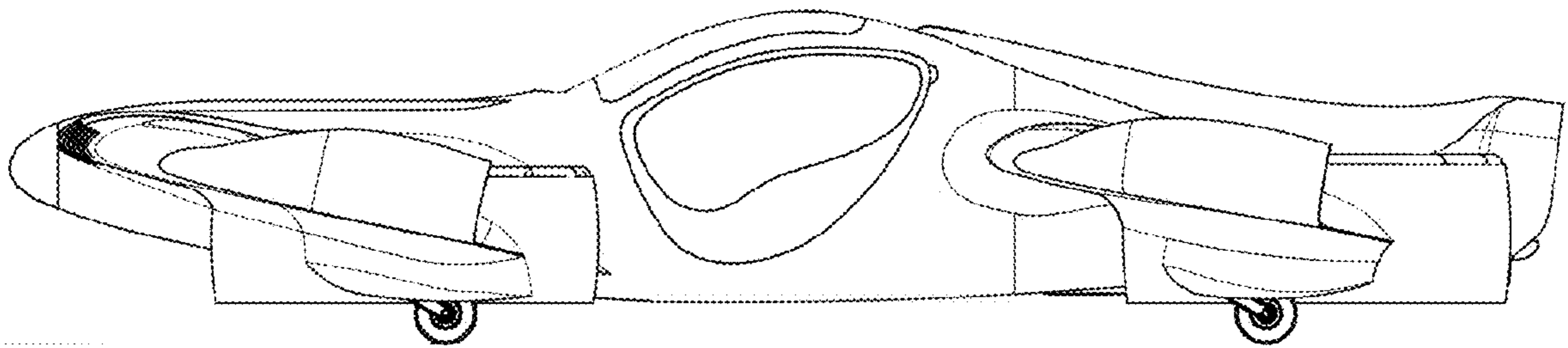


Fig. 2

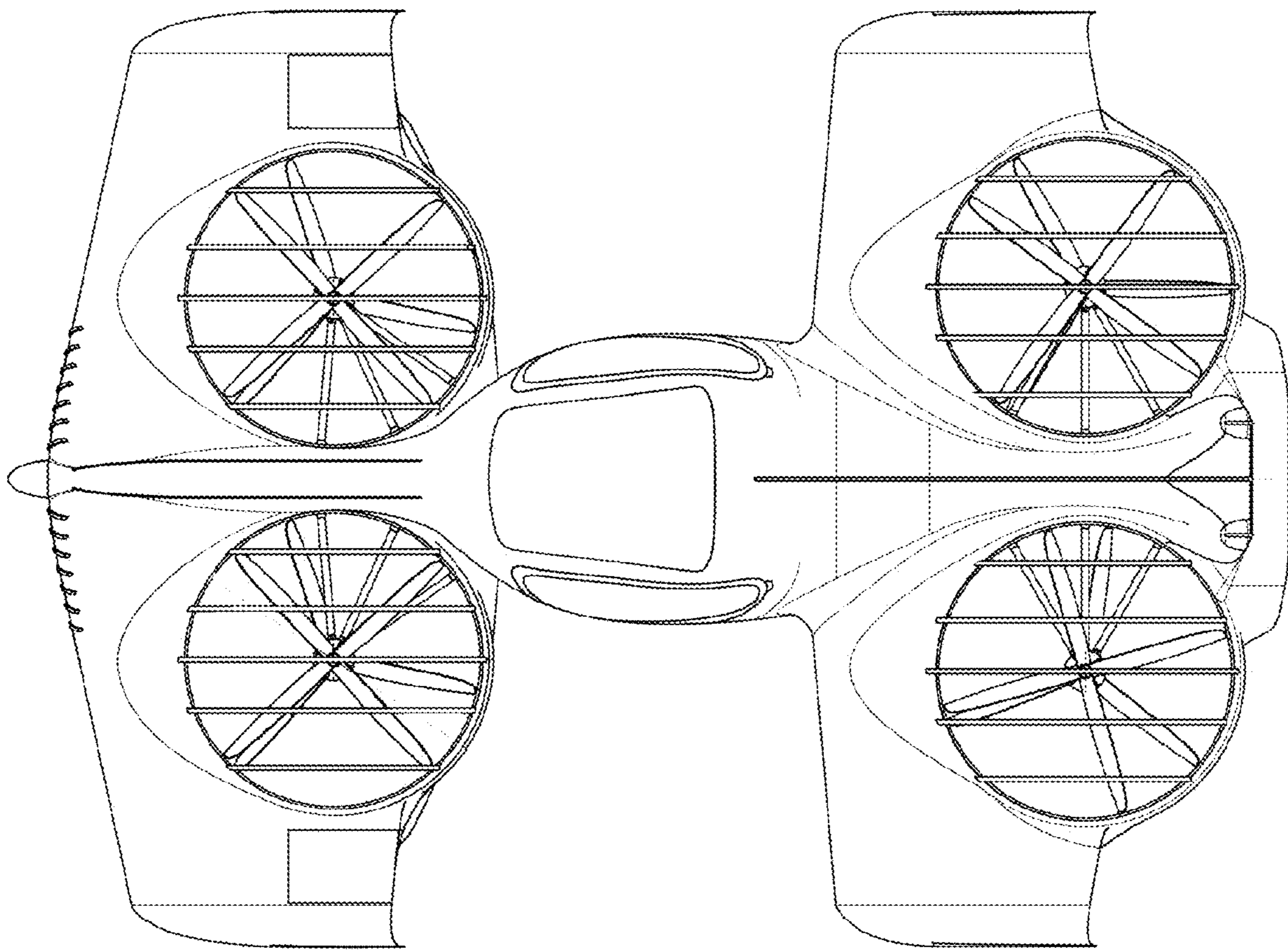


Fig. 3

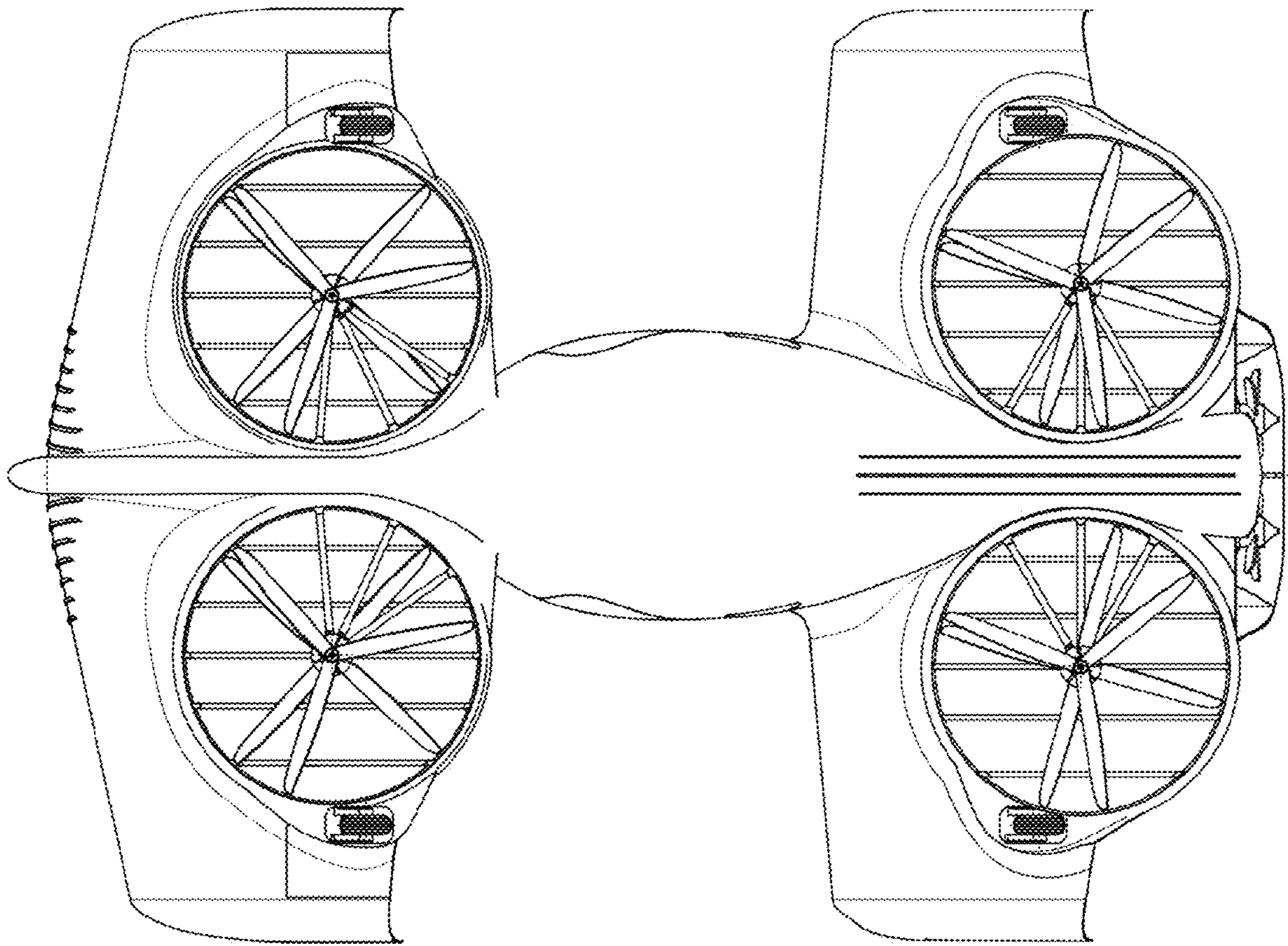


Fig. 4

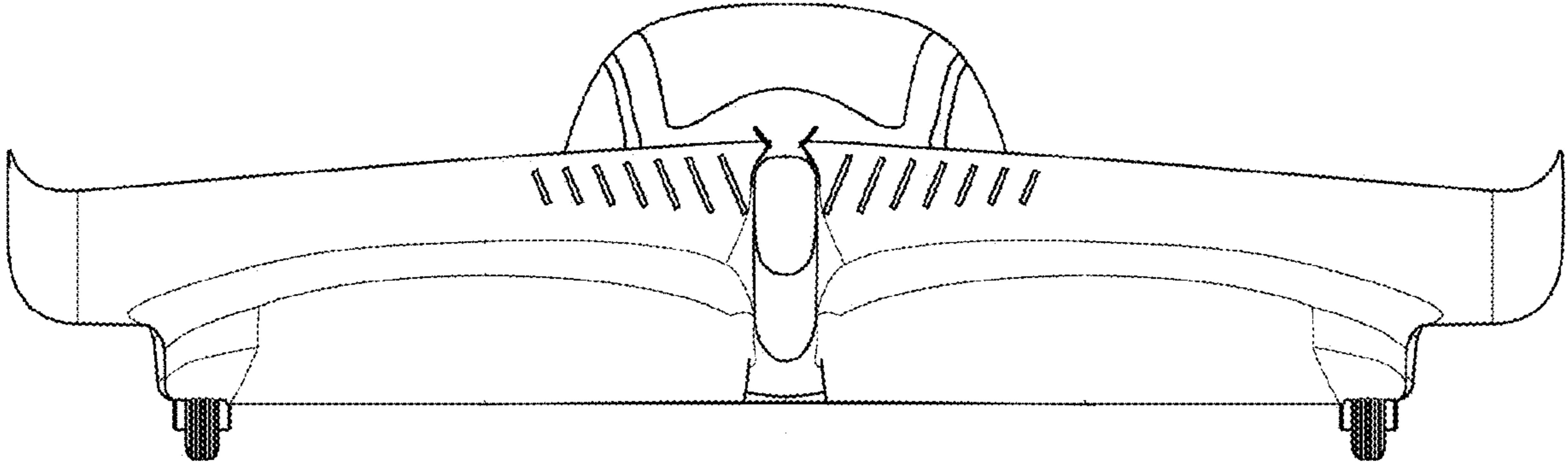


FIG. 5

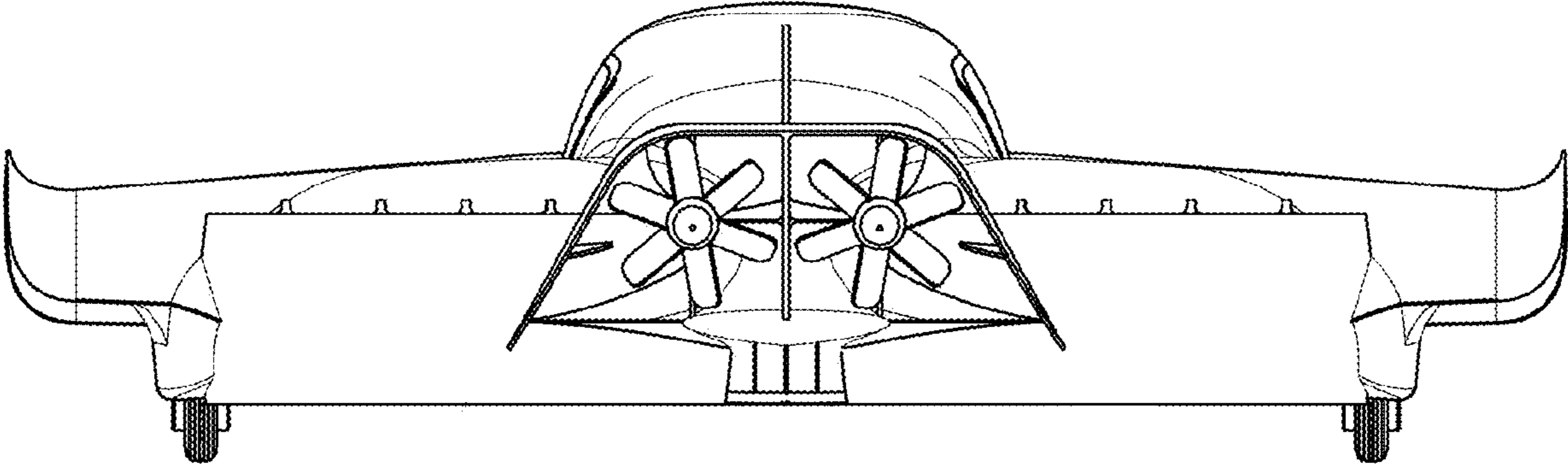


FIG. 6