



US00D978712S

(12) **United States Design Patent**
Taylor et al.

(10) **Patent No.:** **US D978,712 S**

(45) **Date of Patent:** **** Feb. 21, 2023**

(54) **BUCKLE FOR A CHILD'S CAR SEAT**

(71) Applicant: **SILVER CROSS (IP) LIMITED,**
Skipton (GB)

(72) Inventors: **Philip Jeffrey Taylor,** Skipton (GB);
John William Jennings, Leeds (GB)

(73) Assignee: **SILVER CROSS (IP) LIMITED,**
Skipton (GB)

(**) Term: **15 Years**

(21) Appl. No.: **29/769,496**

(22) Filed: **Feb. 5, 2021**

(51) **LOC (14) Cl.** **11-03**

(52) **U.S. Cl.**
USPC **D11/216**

(58) **Field of Classification Search**
USPC D11/200–201, 210, 212, 214–220,
D11/236–237; D29/101.3
CPC A44B 11/00; A44B 17/00; A62B 35/00;
A62B 35/0031
See application file for complete search history.

(56) **References Cited**

U.S. PATENT DOCUMENTS

- 2,921,353 A * 1/1960 Cushman B64D 17/32
24/632
- D477,776 S * 7/2003 Pontaoe B60P 7/0807
D8/396
- 6,619,753 B2 * 9/2003 Takayama B60N 2/2821
297/483
- 6,719,326 B2 * 4/2004 Schroth A44B 11/2549
280/801.1
- D599,478 S * 9/2009 Bizup D24/128
- 7,716,794 B2 * 5/2010 Wu A44B 11/2511
24/579.11
- D946,769 S * 3/2022 Stearns A44B 11/2569
D24/190

- D963,260 S * 9/2022 Yue B64D 17/32
D30/152
- 2002/0089228 A1 * 7/2002 Takayama B60N 2/2812
297/484
- 2006/0133907 A1 * 6/2006 Bullock B60P 7/0807
410/107

(Continued)

FOREIGN PATENT DOCUMENTS

- CN 202030603503.4 * 4/2021
- EM 008180210-0001 * 10/2020

(Continued)

OTHER PUBLICATIONS

OsmaR, reviewed on (Aug. 31, 2022) on aliexpress.us, retrieved from internet (Oct. 21, 2022). <URL: <https://www.aliexpress.us/item/2255800129365117.html>> (Year: 2022).*

(Continued)

Primary Examiner — Joseph Kukella
Assistant Examiner — Heather A Wencil
(74) *Attorney, Agent, or Firm* — Epstein Drangel LLP;
Robert L. Epstein

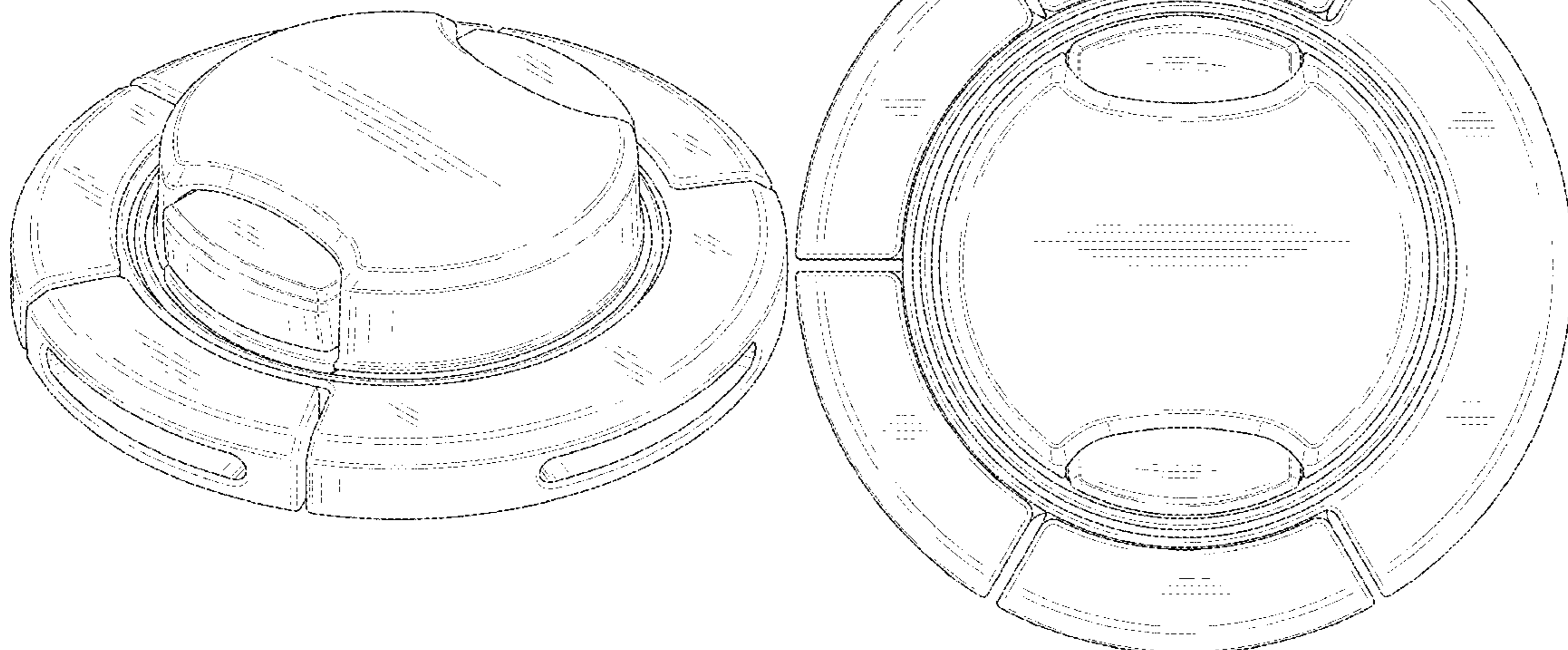
(57) **CLAIM**

The ornamental design of a buckle for a child's car seat, substantially as shown and described.

DESCRIPTION

FIG. 1 is a top front perspective view of the buckle for a child's car seat with the new design;
FIG. 2 is a bottom rear perspective view thereof;
FIG. 3 is a front elevation view thereof;
FIG. 4 is a rear elevation view thereof;
FIG. 5 is an elevation view of the left side thereof;
FIG. 6 is an elevation view of the right side thereof;
FIG. 7 is a top plan view thereof; and,
FIG. 8 is a bottom plan view thereof.

1 Claim, 6 Drawing Sheets



(56)

References Cited

U.S. PATENT DOCUMENTS

2006/0163050 A1* 7/2006 Nakajima H01H 23/30
200/339
2012/0284966 A1* 11/2012 Greaves A44B 11/2569
24/170

FOREIGN PATENT DOCUMENTS

EM 008180210-0002 * 10/2020
EM 008180210-0003 * 10/2020
EM 008180210-0004 * 10/2020
EM 008180210-0005 * 10/2020

OTHER PUBLICATIONS

Ainomia, reviewed on (May 5, 2022) on aliexpress.us, retrieved from internet (Oct. 21, 2022). <URL: <https://www.aliexpress.us/item/2251832821615492.html>> (Year: 2022).*

Silver Cross, publish date unknown on silvercrossbaby.com, retrieved from internet (Oct. 21, 2022). <URL: <https://www.silvercrossbaby.com/the-edit/parenting/a-genius-addition/>> (Year: 2022).*

* cited by examiner

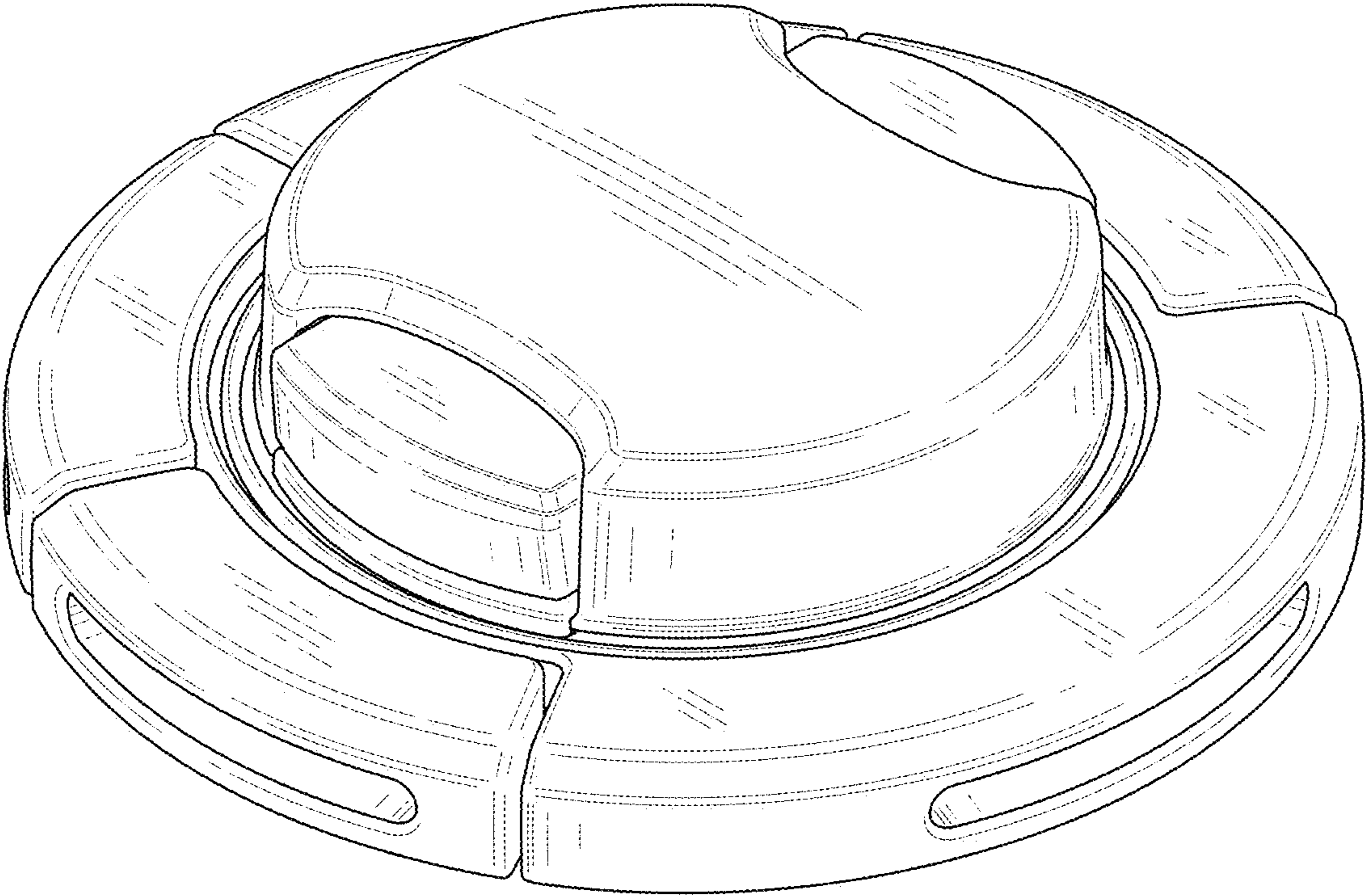


FIG. 1

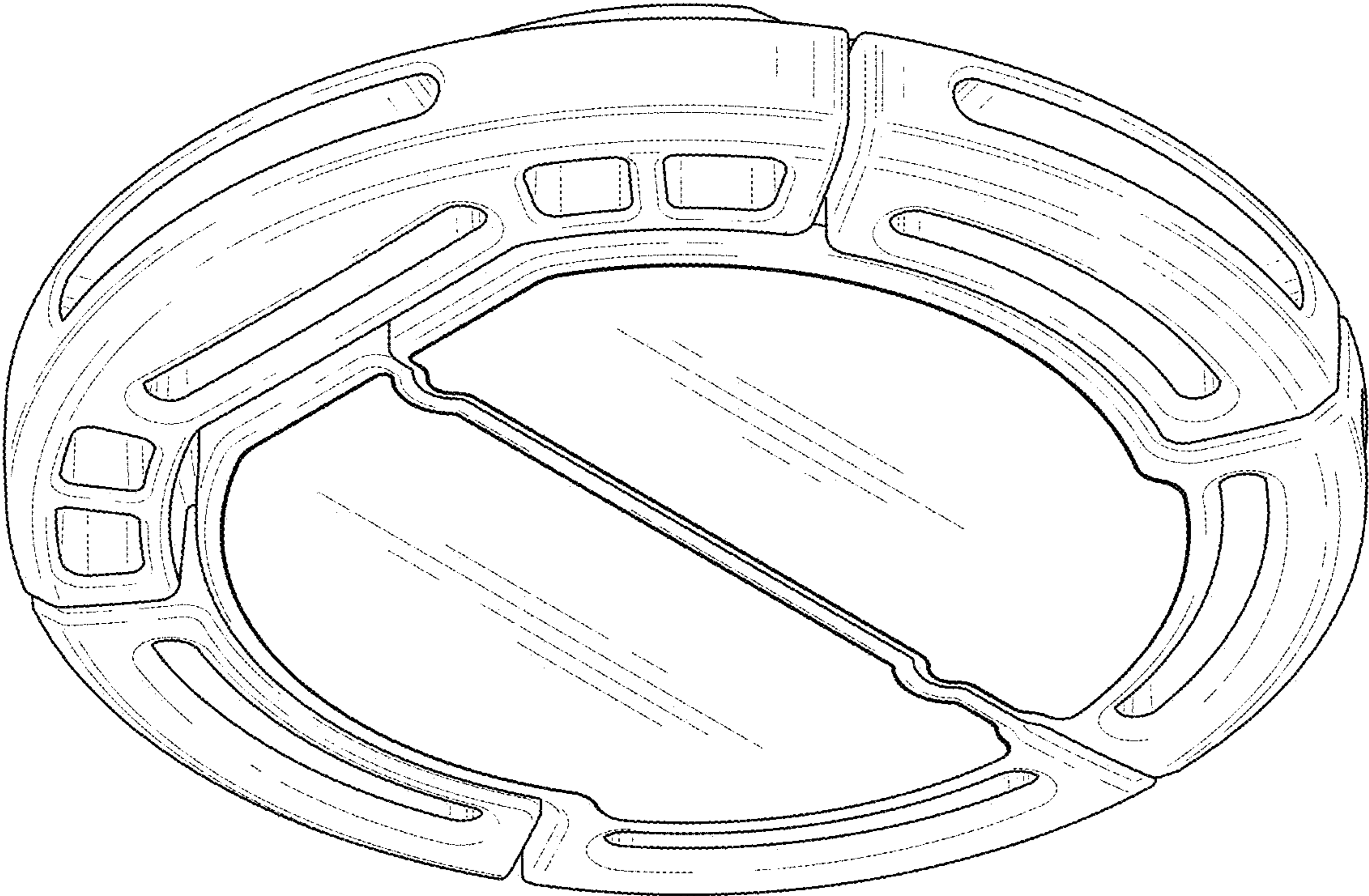


FIG. 2

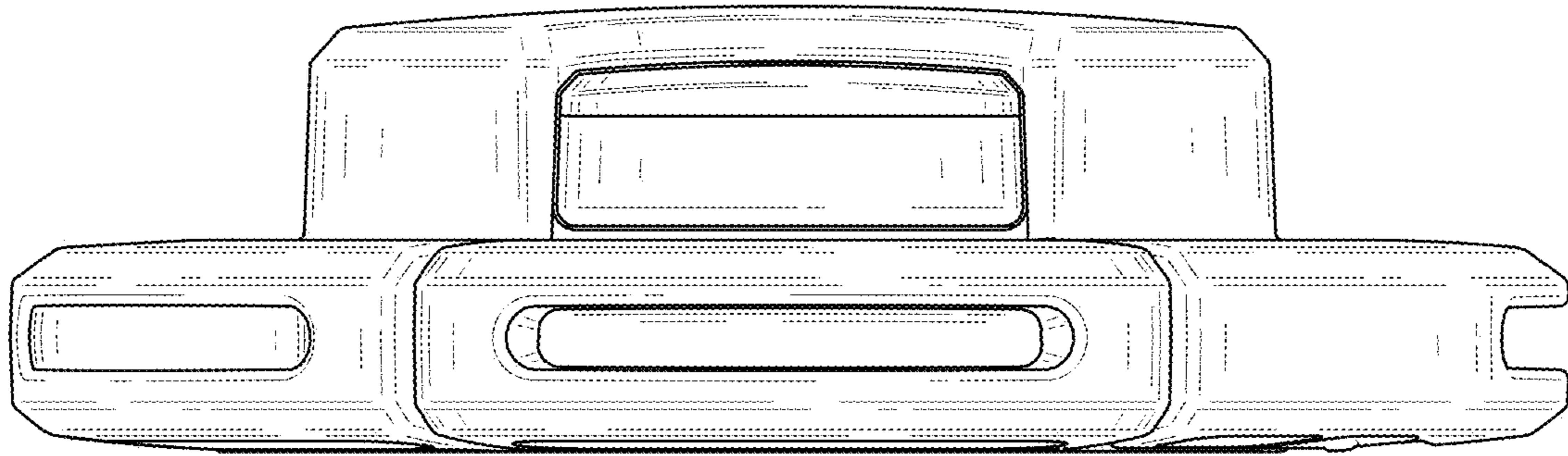


FIG. 3

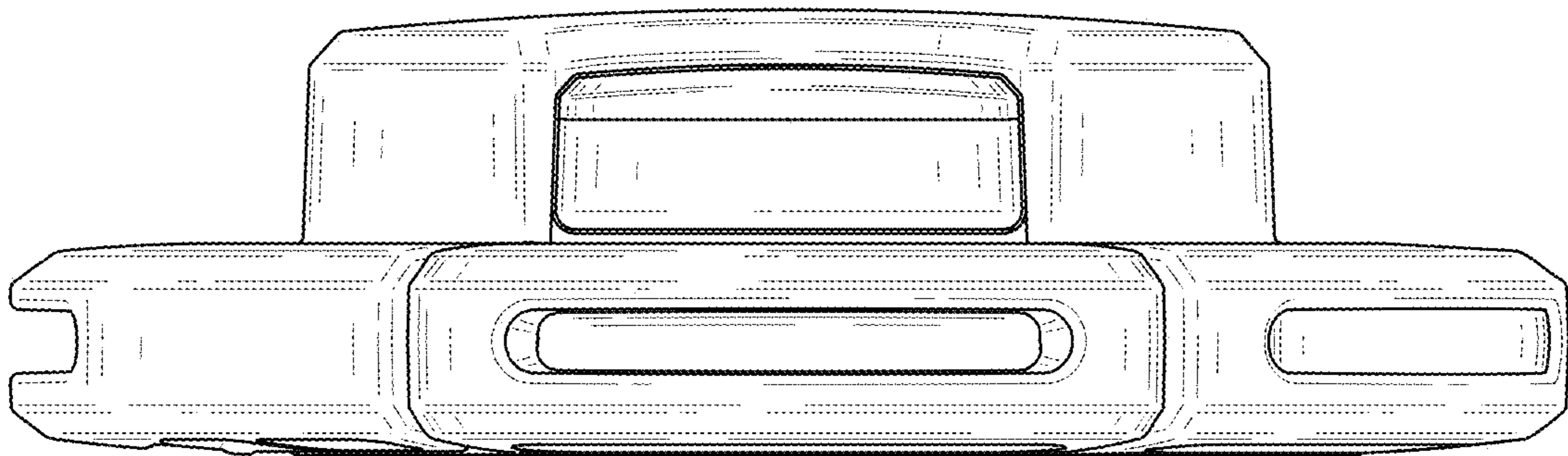


FIG. 4

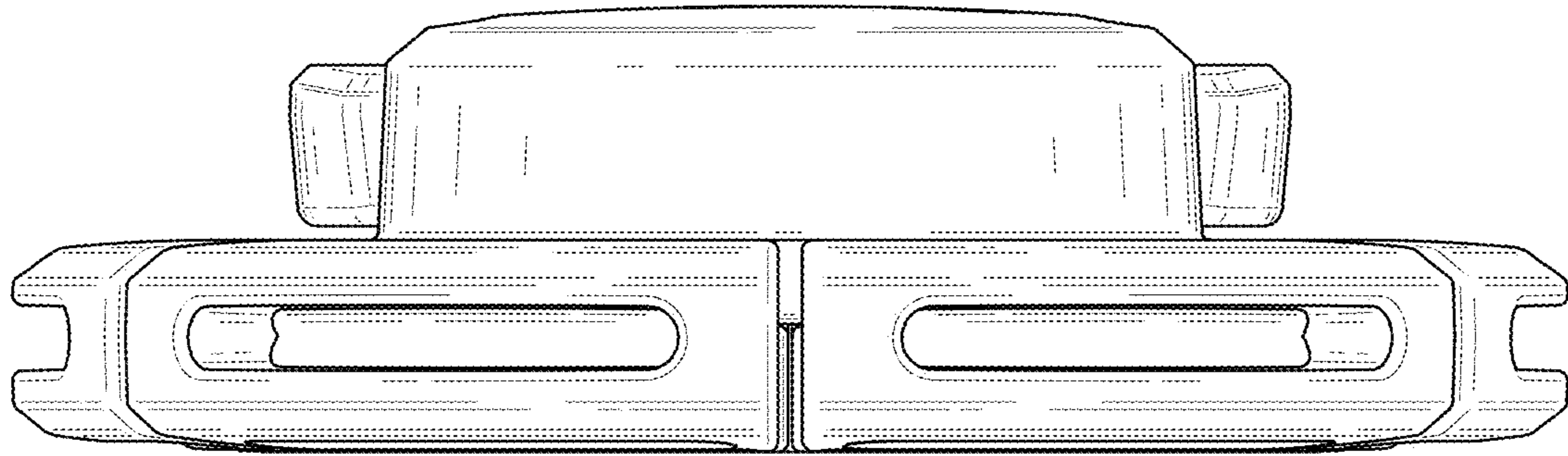


FIG. 5

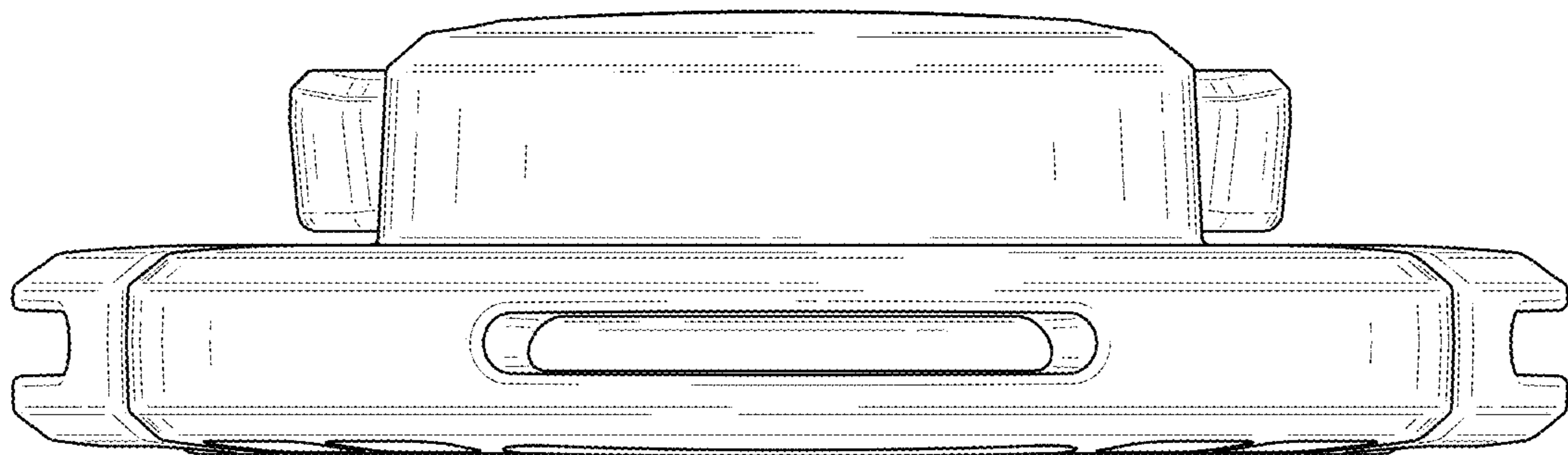


FIG. 6

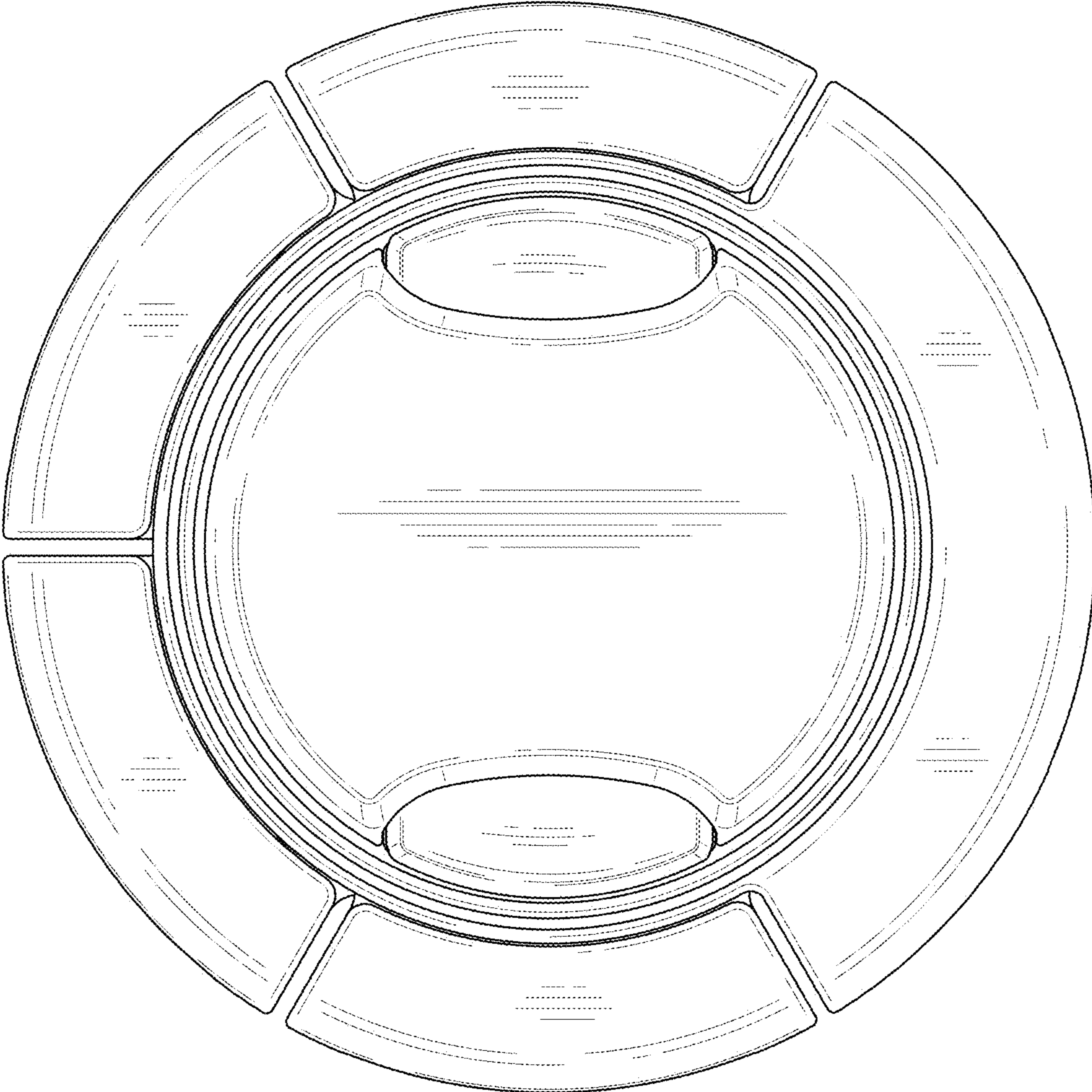


FIG. 7

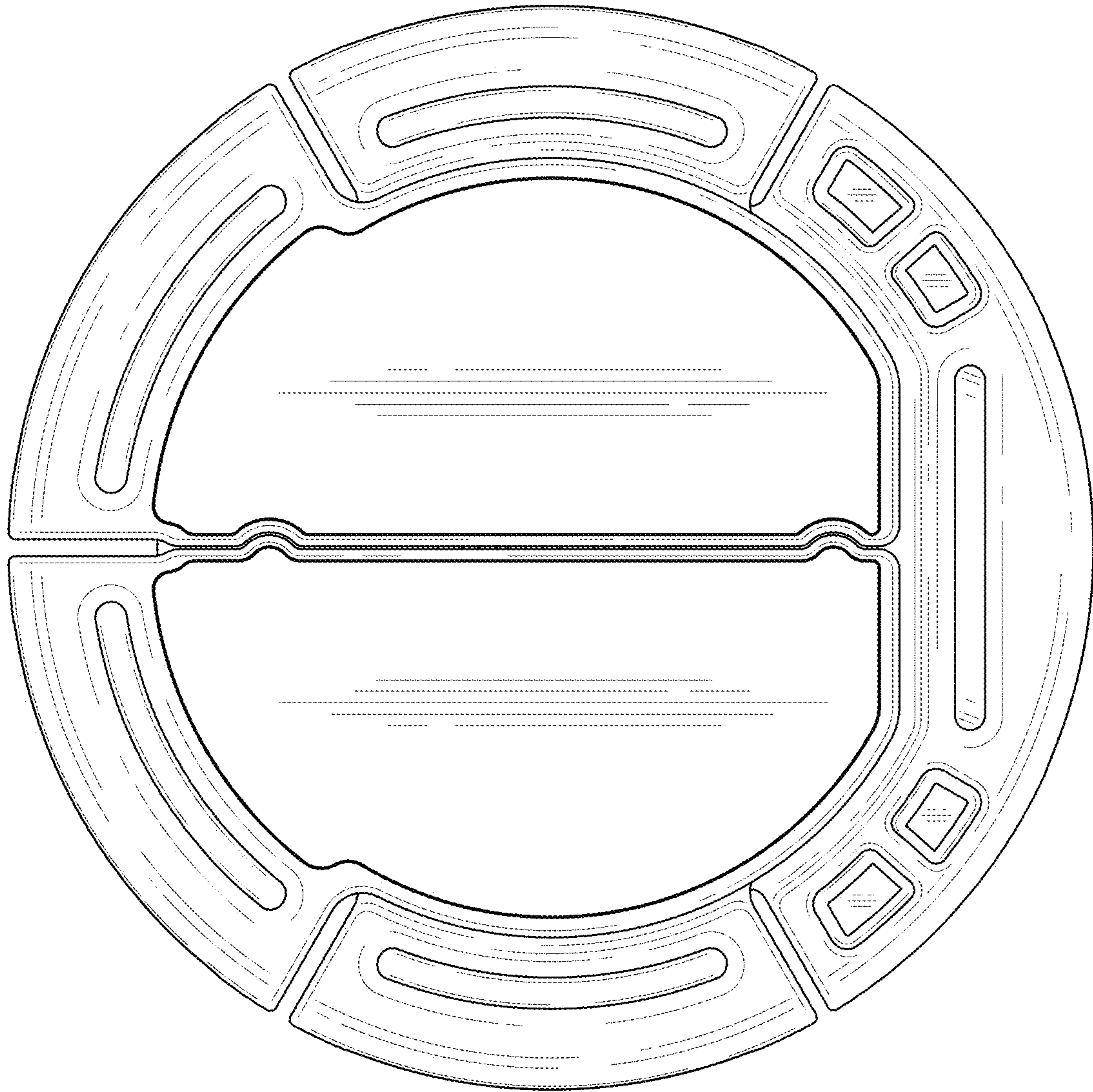


FIG. 8