



US00D978707S

(12) **United States Design Patent**
Beije

(10) **Patent No.:** **US D978,707 S**

(45) **Date of Patent:** **** Feb. 21, 2023**

(54) **BRACELET**

(71) Applicant: **Project X-19 Co., Ltd.**, Bangkok (TH)

(72) Inventor: **Marijn Beije**, Eersel (NL)

(73) Assignee: **PROJECT X-19 CO., LTD.**,
Huaykwang Bangkok (TH)

(**) Term: **15 Years**

(21) Appl. No.: **29/756,798**

(22) Filed: **Oct. 30, 2020**

(51) **LOC (14) Cl.** **11-01**

(52) **U.S. Cl.**
USPC **D11/5**

(58) **Field of Classification Search**

USPC D11/1-5, 6-8, 20-23, 26-30, 34-39,
D11/79-87; D10/32

CPC A44C 5/0092
See application file for complete search history.

(56) **References Cited**

U.S. PATENT DOCUMENTS

D39,036 S *	1/1908	Mitchell	D11/5
D39,037 S *	1/1908	Mitchell	D11/5
D68,195 S *	9/1925	De Soria	D11/5
D123,888 S *	12/1940	Koven	D11/4
D166,149 S *	3/1952	Fass	D11/4
2,590,572 A *	3/1952	Rasmussen	G04B 37/1486
				D11/4
D190,753 S *	6/1961	Brauchi	D11/5

(Continued)

FOREIGN PATENT DOCUMENTS

CN	303286101	*	7/2015
EM	003356344-0001	*	8/2016

OTHER PUBLICATIONS

JAWBONEUP All-Day Life Long Wristband UP24 (Onyx/
Medium) Brand: Jawbone Amazon pp. 1-5 2018 [https://www.amazon.com/JAWBONEUP-All-Day-Life-Long-Wristband-Medium/dp/B00JA6YORA/ref=sr_1_8? \(Year: 2018\).*](https://www.amazon.com/JAWBONEUP-All-Day-Life-Long-Wristband-Medium/dp/B00JA6YORA/ref=sr_1_8? (Year: 2018).*)

com/JAWBONEUP-All-Day-Life-Long-Wristband-Medium/dp/B00JA6YORA/ref=sr_1_8? (Year: 2018).*

(Continued)

Primary Examiner — Kevin K Rudzinski

Assistant Examiner — Evans David Delesline

(74) *Attorney, Agent, or Firm* — Muncy, Geissler, Olds & Lowe, P.C.

(57) **CLAIM**

The ornamental design for a bracelet, as shown and described.

DESCRIPTION

FIG. 1 is a perspective view of a bracelet according to my new design;

FIG. 2 is a back and bottom perspective view thereof;

FIG. 3 is a front elevational view thereof;

FIG. 4 is a back elevational view thereof;

FIG. 5 is a right side elevational view thereof;

FIG. 6 is a left side elevational view thereof;

FIG. 7 is a top plan view thereof;

FIG. 8 is a bottom plan view thereof;

FIG. 9 is a perspective view of a bracelet according to another embodiment of my new design;

FIG. 10 is a back and bottom perspective view of the bracelet of FIG. 9;

FIG. 11 is a front elevational view of the bracelet of FIG. 9;

FIG. 12 is a back elevational view of the bracelet of FIG. 9;

FIG. 13 is a right side elevational view of the bracelet of FIG. 9;

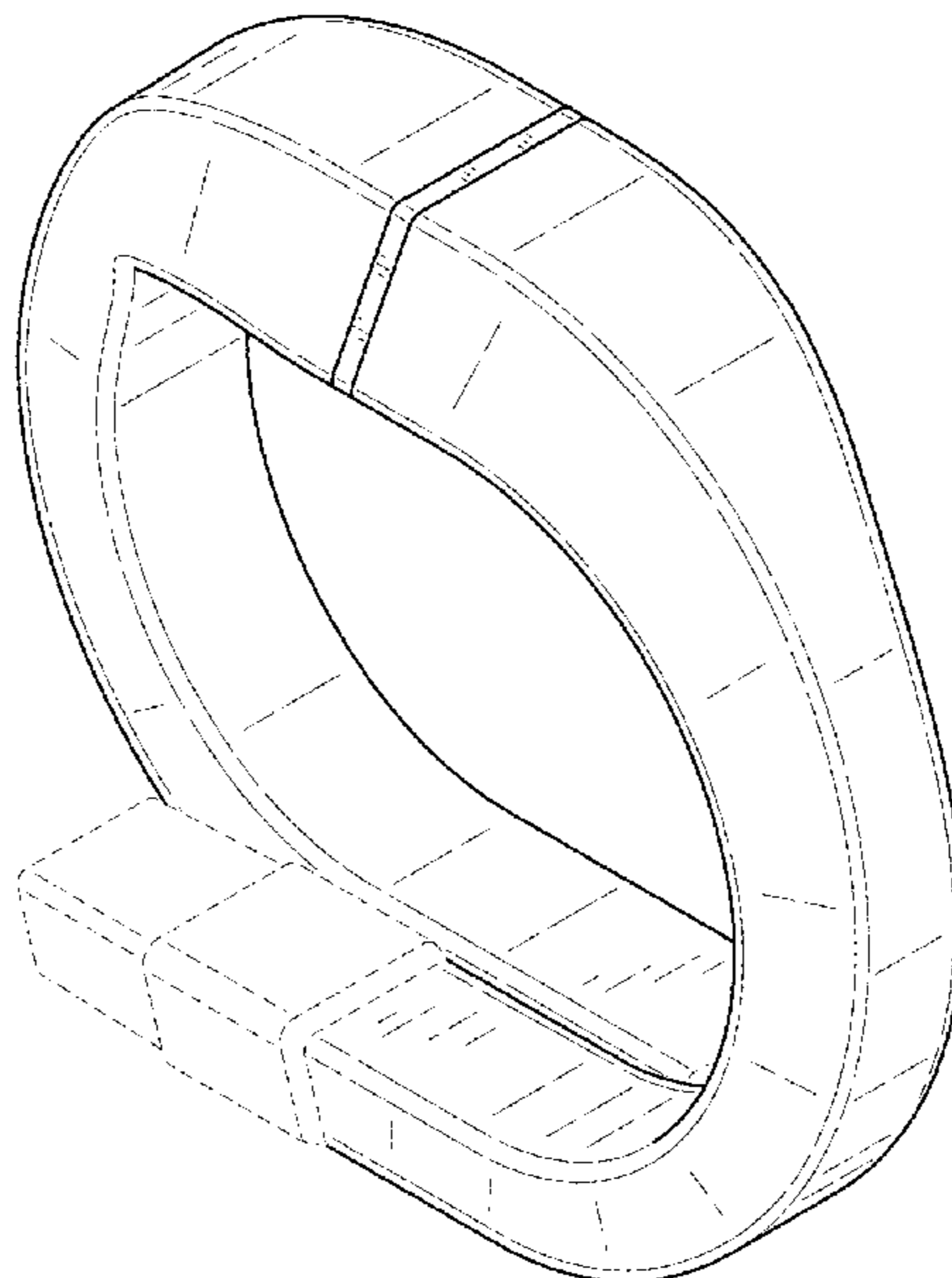
FIG. 14 is a left side elevational view of the bracelet of FIG. 9;

FIG. 15 is a top plan view of the bracelet of FIG. 9; and,

FIG. 16 is a bottom plan view of the bracelet of FIG. 9.

The broken lines show portions of the bracelet which form no part of the claimed design.

1 Claim, 16 Drawing Sheets



(56)

References Cited

U.S. PATENT DOCUMENTS

D359,926	S	*	7/1995	Plummer	D11/4
D445,713	S	*	7/2001	Haquet	D11/3
D456,296	S	*	4/2002	Ambar	D11/4
D556,194	S	*	11/2007	Rambosek	D11/2
D558,198	S	*	12/2007	Blankenship	D11/2
D560,134	S	*	1/2008	Chen	D11/4
D567,227	S	*	4/2008	Hada	D14/218
D581,826	S	*	12/2008	Molyneux	D10/32
D606,894	S	*	12/2009	Bulgari	D11/5
D653,149	S	*	1/2012	Behar	D11/5
D674,808	S	*	1/2013	Axelrod	D11/3
D684,878	S	*	6/2013	Cobbett	D11/3
D707,148	S	*	6/2014	Proud	D11/5
D710,235	S	*	8/2014	Rummonds	D3/203.1
D714,179	S	*	9/2014	Park	D11/3
D724,468	S	*	3/2015	Tan	D11/3
D726,572	S	*	4/2015	Walters	D14/344
D727,194	S	*	4/2015	Wilson	D11/3
D727,196	S	*	4/2015	Tanner	D11/3
D728,409	S	*	5/2015	Bar-Am	D11/3
D732,994	S	*	6/2015	Wentz	D11/5
D754,356	S	*	4/2016	Lee	D24/187
D759,529	S	*	6/2016	Mesica	D11/5
D771,262	S	*	11/2016	Lee	D24/187
D778,762	S	*	2/2017	Hardy	D11/5
D779,996	S	*	2/2017	Setran	D11/4
D781,164	S	*	3/2017	Haapakoski	D10/70
D786,886	S	*	5/2017	Herrmann	D11/3
D788,627	S	*	6/2017	Park	D14/344
D794,013	S	*	8/2017	Heck	D14/344
D832,131	S	*	10/2018	Hu	D11/4
D840,861	S	*	2/2019	Lopez Montoya	D11/5
D897,881	S	*	10/2020	Ashton	D6/315
D924,091	S	*	7/2021	Coin	D11/27
D928,011	S	*	8/2021	Vonau	D11/2
D928,015	S	*	8/2021	Coin	D11/27
D928,649	S	*	8/2021	Coin	D11/27
D953,910	S	*	6/2022	Newcomb	132/316
D953,911	S	*	6/2022	Newcomb	D11/2

OTHER PUBLICATIONS

Project X-19 | Sanitising Wristband | ProjectX-19 pp. 1-4 2022
<https://projectx-19.com/> (Year: 2022).*

“Hand Sanitizer Disinfectant Silicone Bracelet,” Fabviaana.com, Archived Webpage dated Nov. 24, 2020, retrieved from <https://web.archive.org/web/20201124184059/https://fabviaana.com/products/hand-sanitizer-disinfectant-silicone-bracelet?variant=958585077840>, 10 pages.

“Jawbone Small Up Fitness Tracking Wristband—Black Onyx,” Amazon.com, Archived Webpage dated Oct. 29, 2014, retrieved from <https://web.archive.org/web/20141029023511/https://www.amazon.com/Jawbone-Small-Fitness-Tracking-Wristband/dp/B00BO9DP06>, 3 pages.

“RapidPROX® KidFit™ Wristband or HID® 125kHz Proximity Technology, Bright-Colored, Adjustable, Contactless & Touch-Free,” ID-Enhancements Inc., Archived Webpage dated Nov. 24, 2020, retrieved from <https://web.archive.org/web/20201124184339/https://www.id-enhancements.com/rapidprox-kidfit-wristband-or-hid-125khz-proximity-technology-bright-colored-adjustable-contactless-touch-free/>, 4 pages.

“Silicon Silicone Bracelet Hand Wrist Sanitizer Bracelet Slap Band Dispenser Wristbands Holder With Hand Sanitizer Watch,” Alibaba.com, Archived Webpage dated Nov. 24, 2020, retrieved from https://www.alibaba.com/product-detail/Silicon-Silicone-Bracelet-Hand-Wrist-Sanitizer_1600107849619.html, 11 pages.

“Single SqueezyBand—Hand Sanitizer Wrist Band,” Etsy.com, Archived Webpage dated Nov. 24, 2020, retrieved from <https://web.archive.org/web/20201124185326/https://www.etsy.com/listing/873844988/single-squeezyband-hand-sanitizer-wrist>, 7 pages.

“TOPTIE 3 Sets Hand Sanitizer Silicone Wristband, Refillable & Wearable Sanitizing Gel or Lotion Holder, Portable Travel Dispenser Silicone Bracelet for Adults, Teens, Kids,” OpenTip.com, Archived Webpage dated Nov. 24, 2020, retrieved from https://web.archive.org/web/20201124184654/https://www.opentip.com/Toptie-3-Sets-Hand-Sanitizer-Silicone-Wristband-Refillable-Wearable-Sanitizing-Gel-Or-Lotion-Holder-Portable-Travel-Dispenser-Silicone-Bracelet-For-p-12310373_APPJ-HJ81620_GREEN-3SETS.html, 4 pages.

“UVC Zap Band* fcc & epa approved! portable light kills viruses on contact and sanitizes surfaces!,” Etsy.com, Archived Webpage dated Nov. 24, 2020, retrieved from <https://www.etsy.com/listing/853221124/uvc-zap-band-fcc-epa-approved-portable>, 7 pages.

* cited by examiner

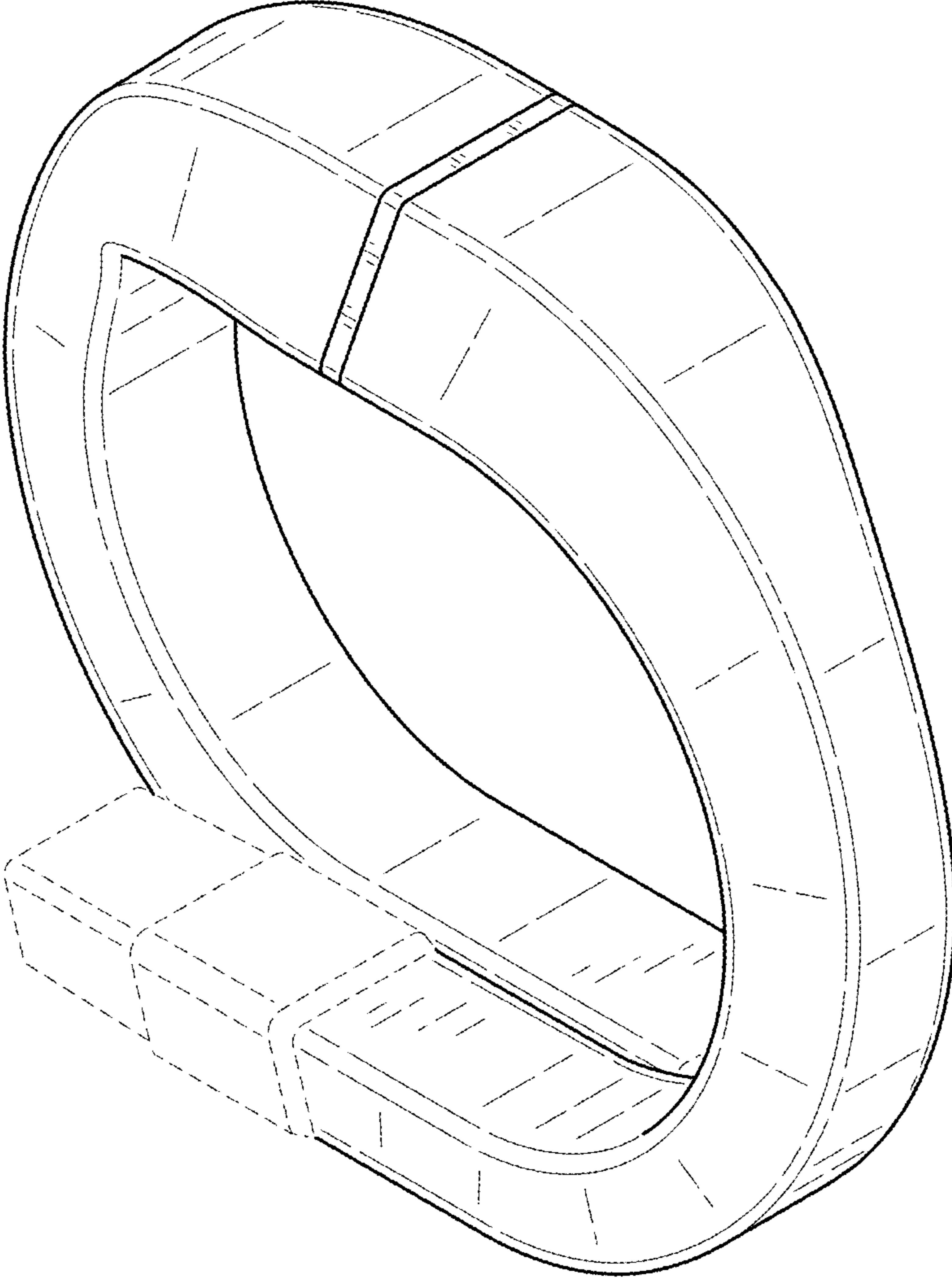


FIG.1

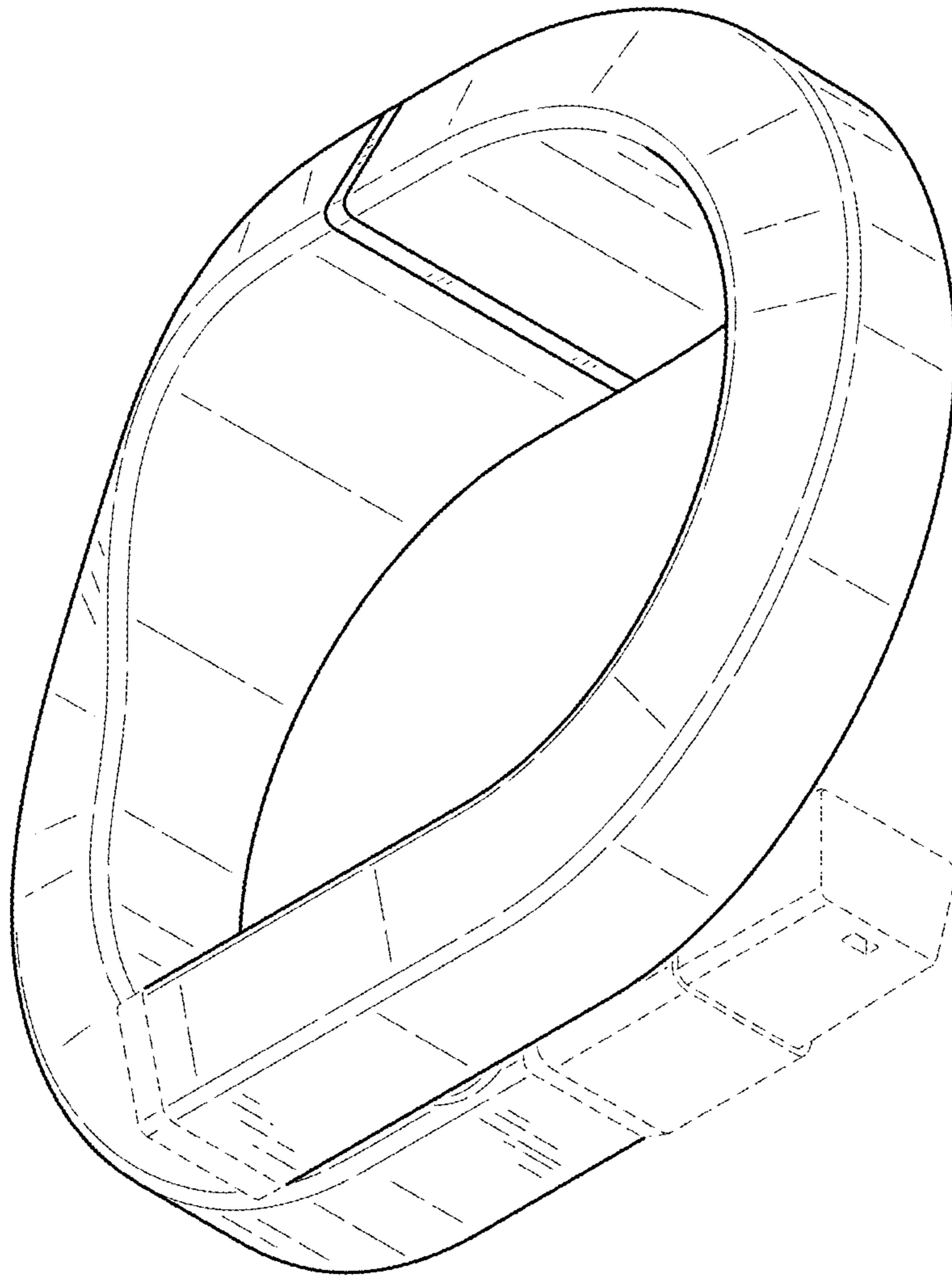


FIG.2

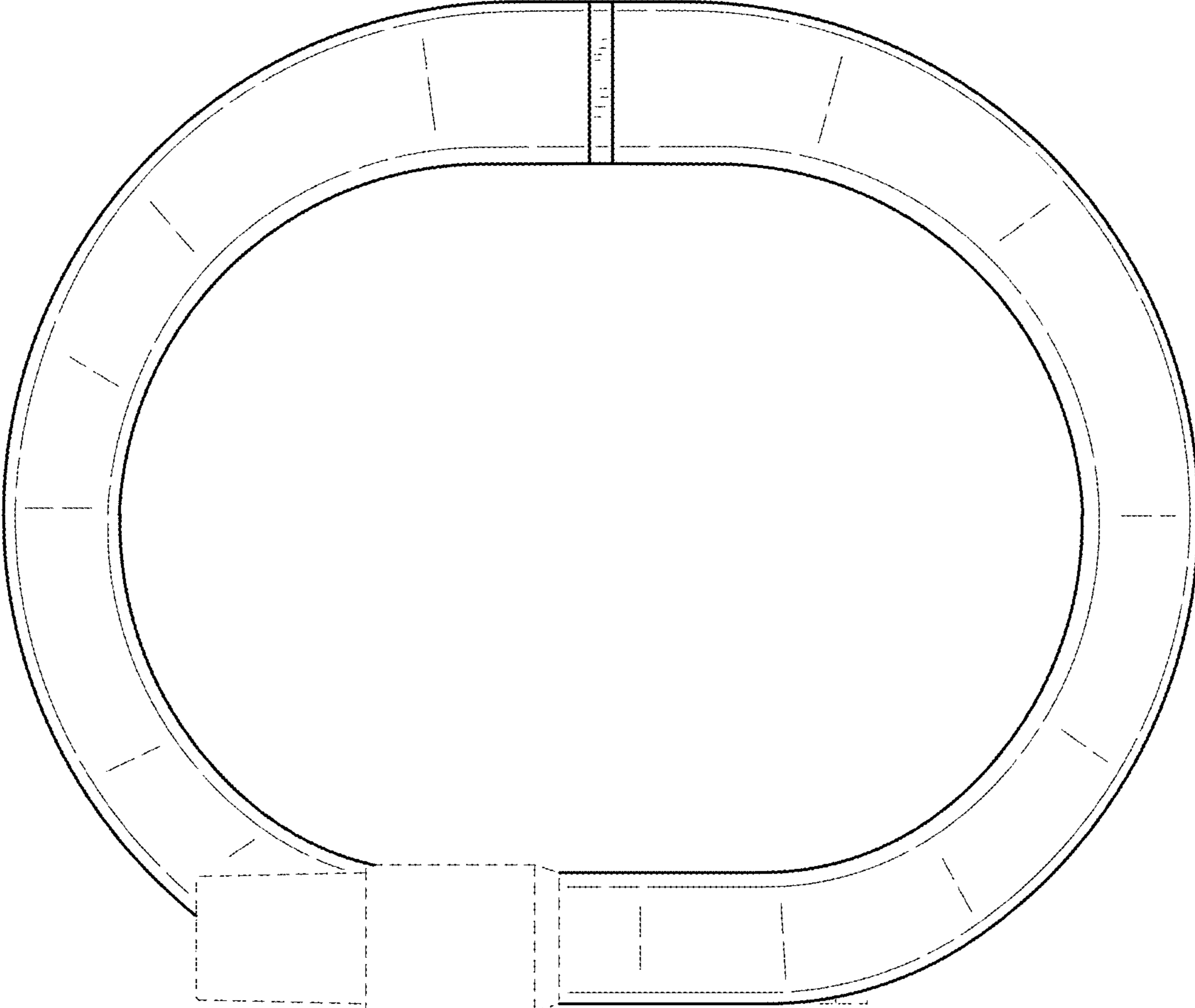


FIG.3

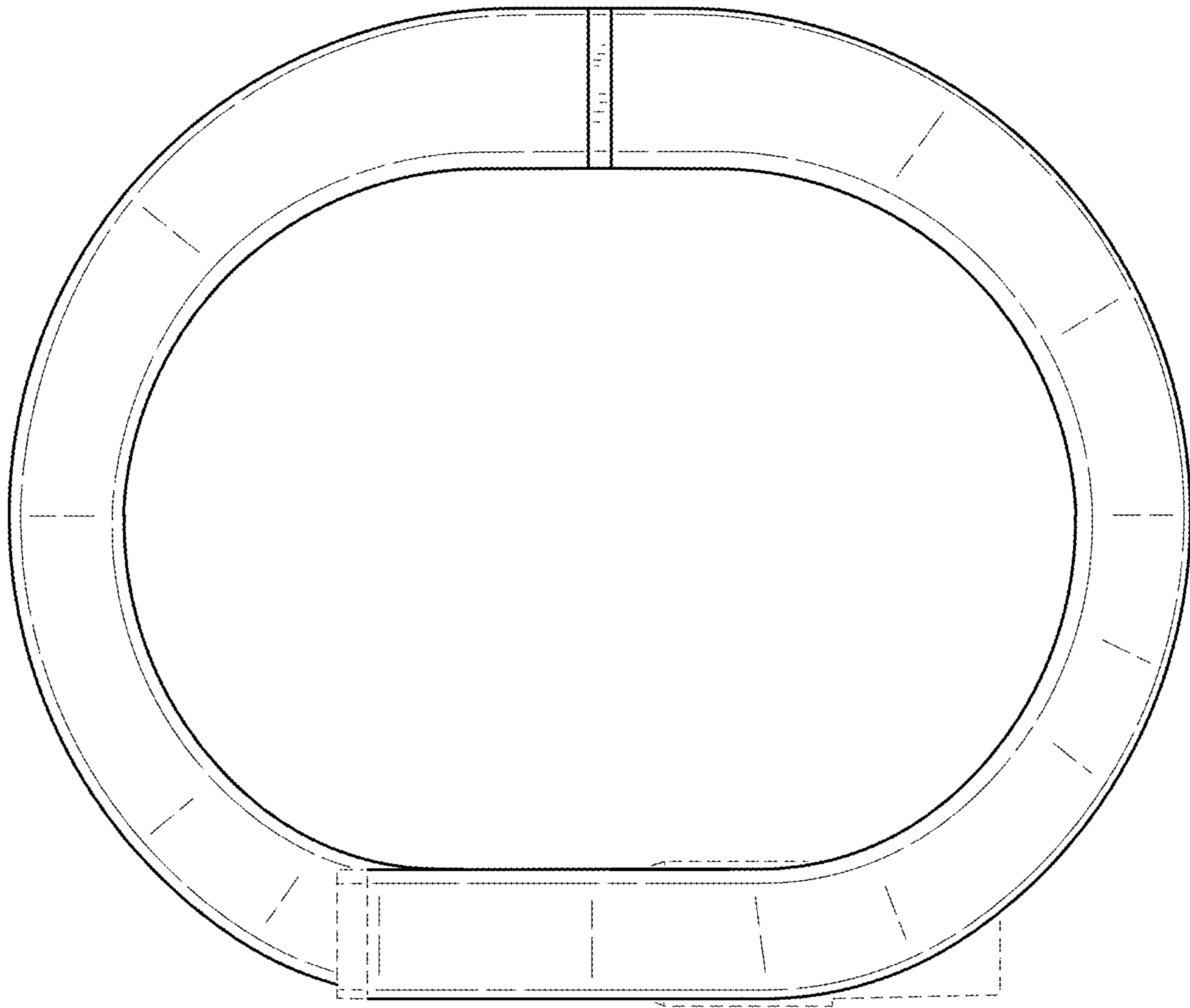


FIG.4

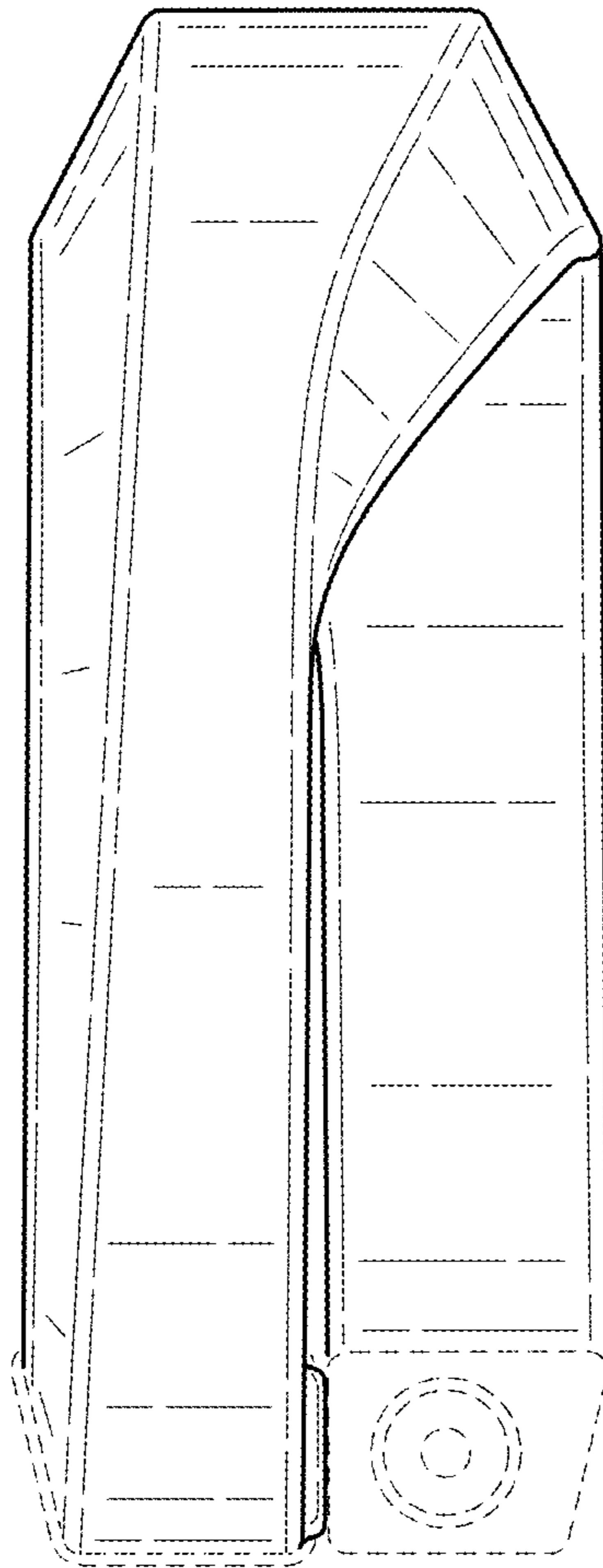


FIG.5

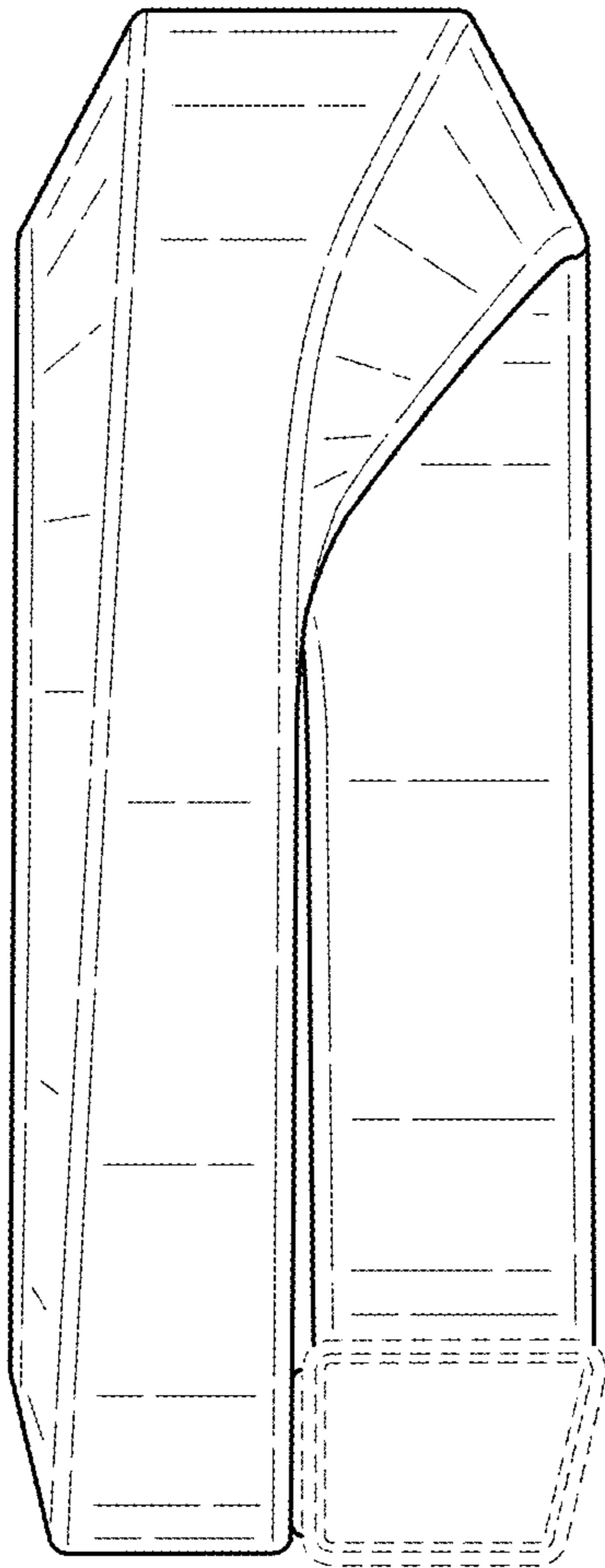


FIG.6

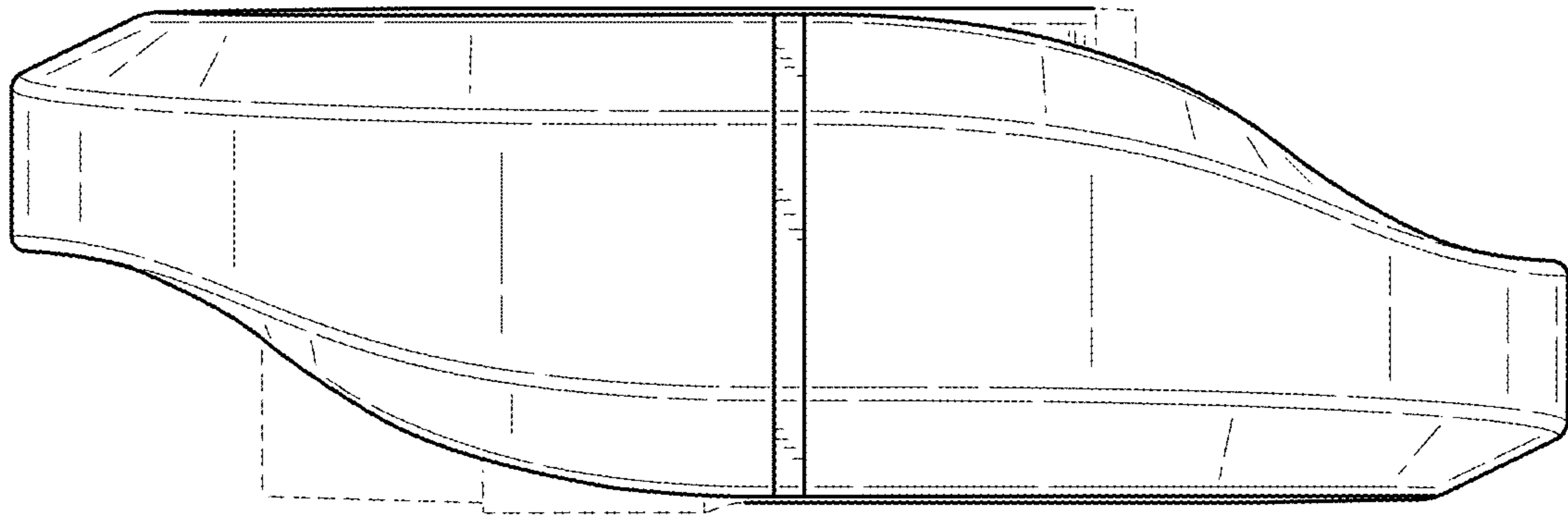


FIG.7

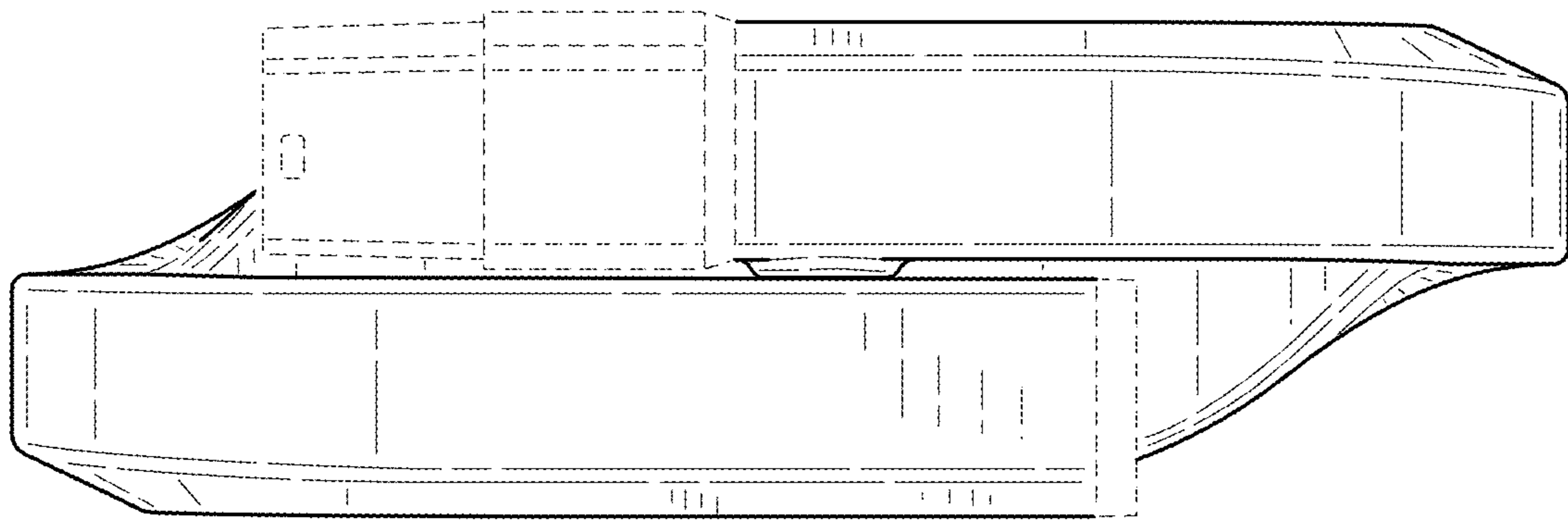


FIG. 8

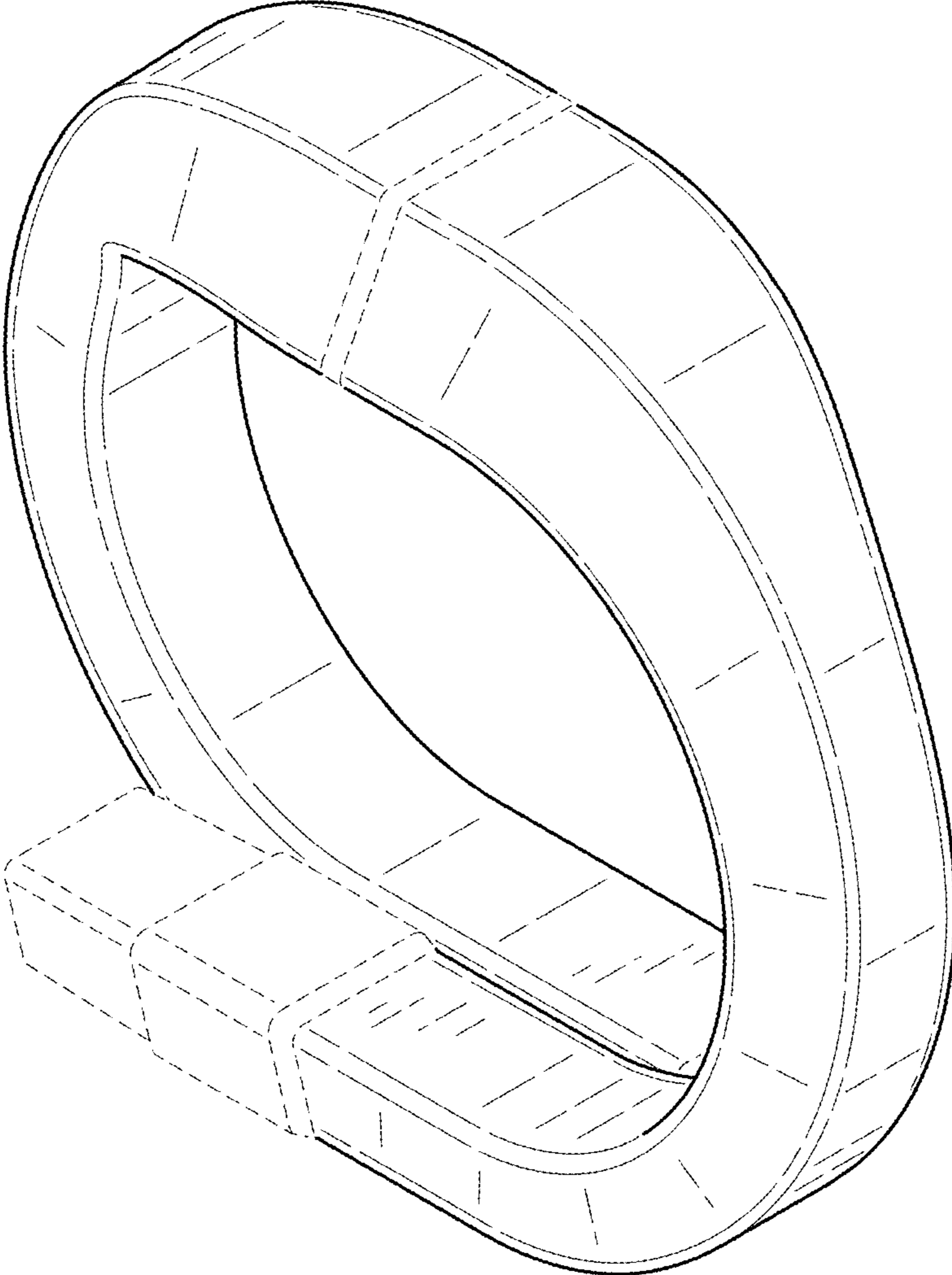


FIG.9

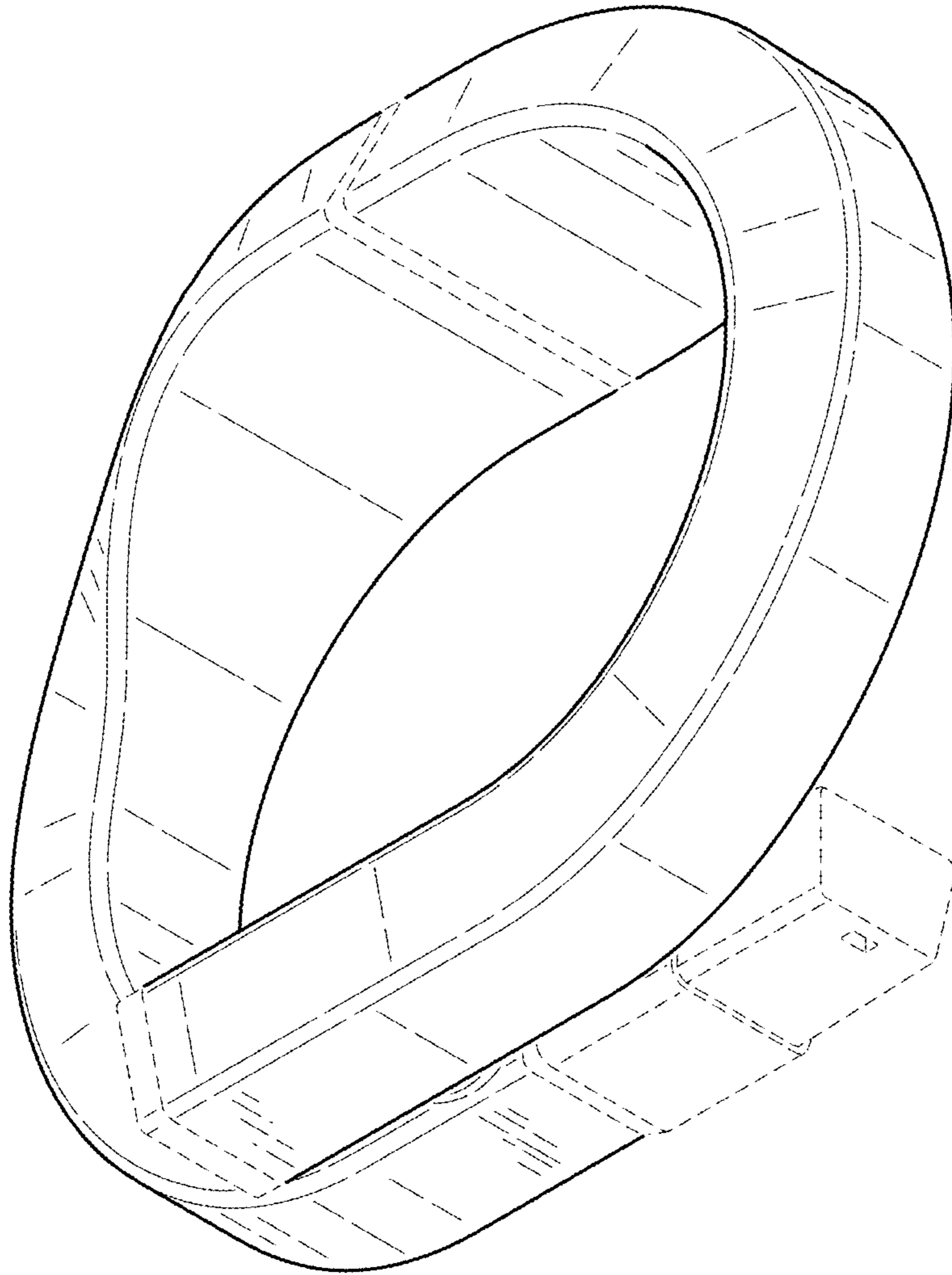


FIG.10

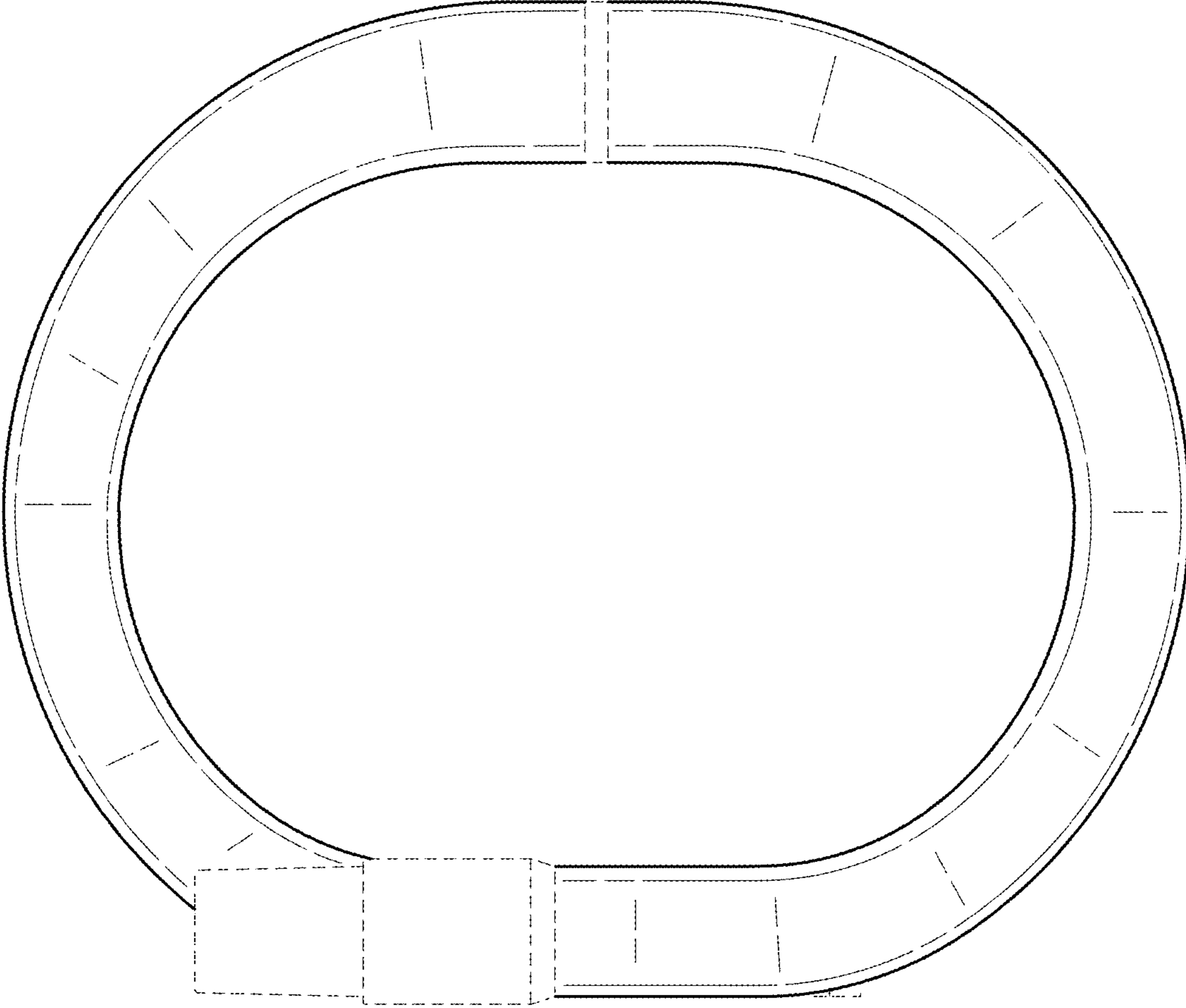


FIG.11

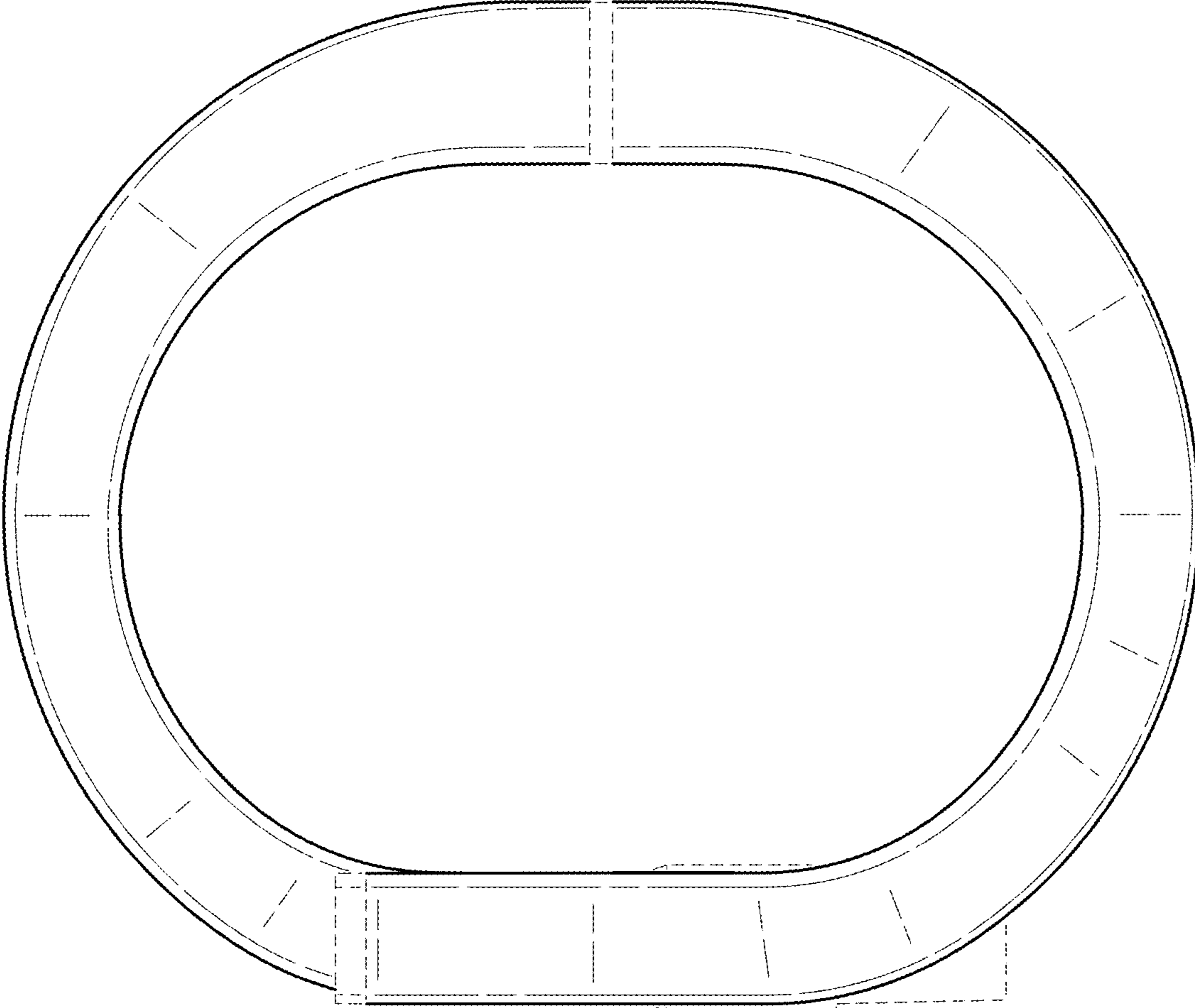


FIG.12

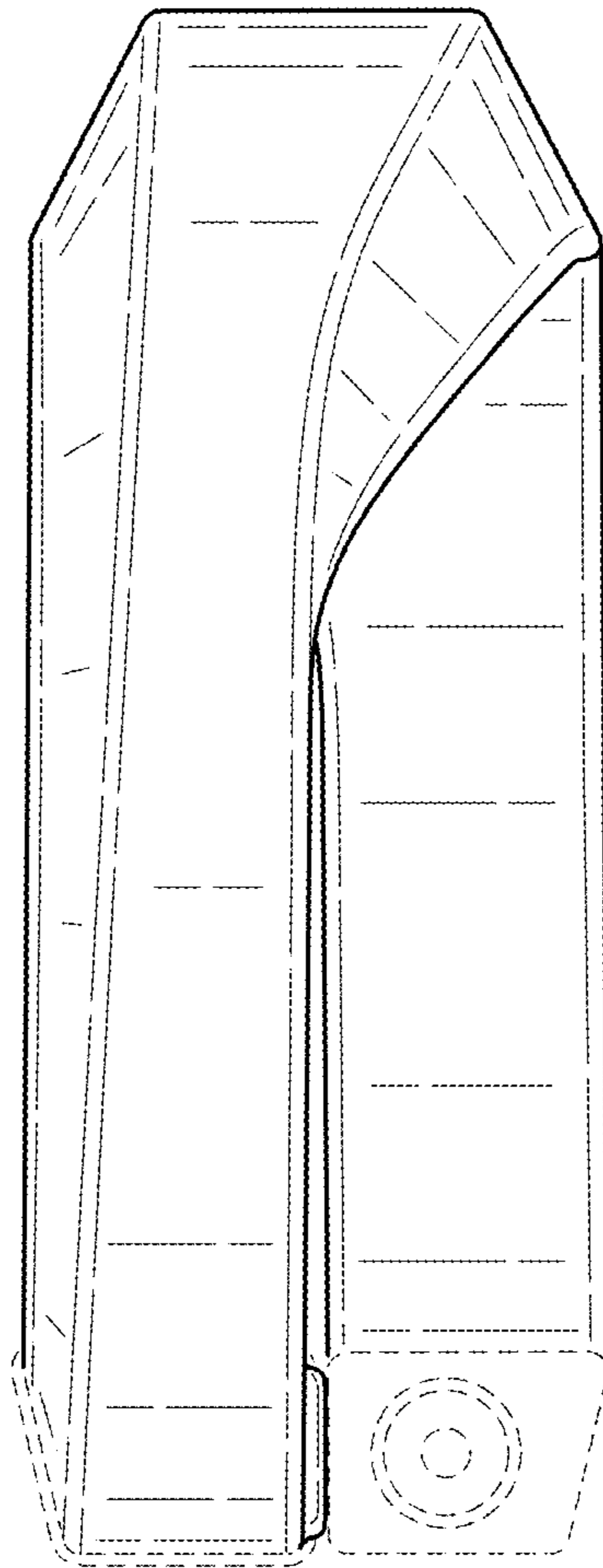


FIG.13

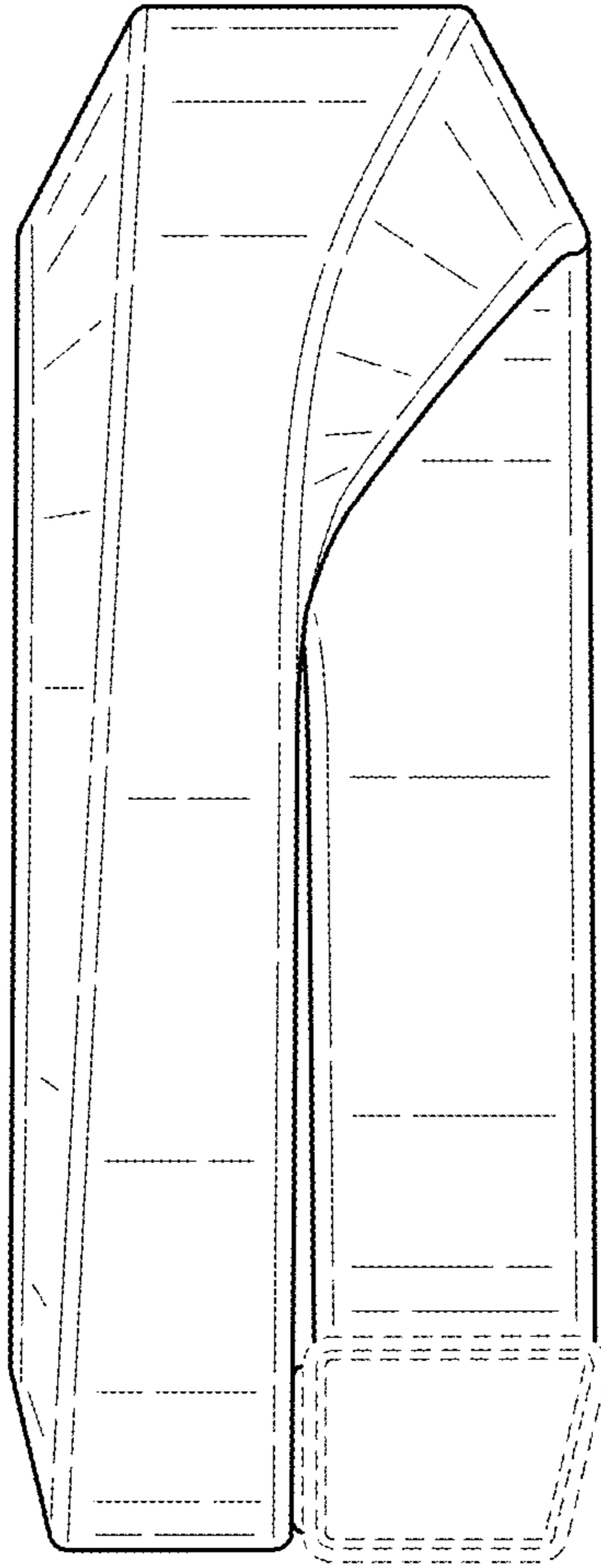


FIG.14

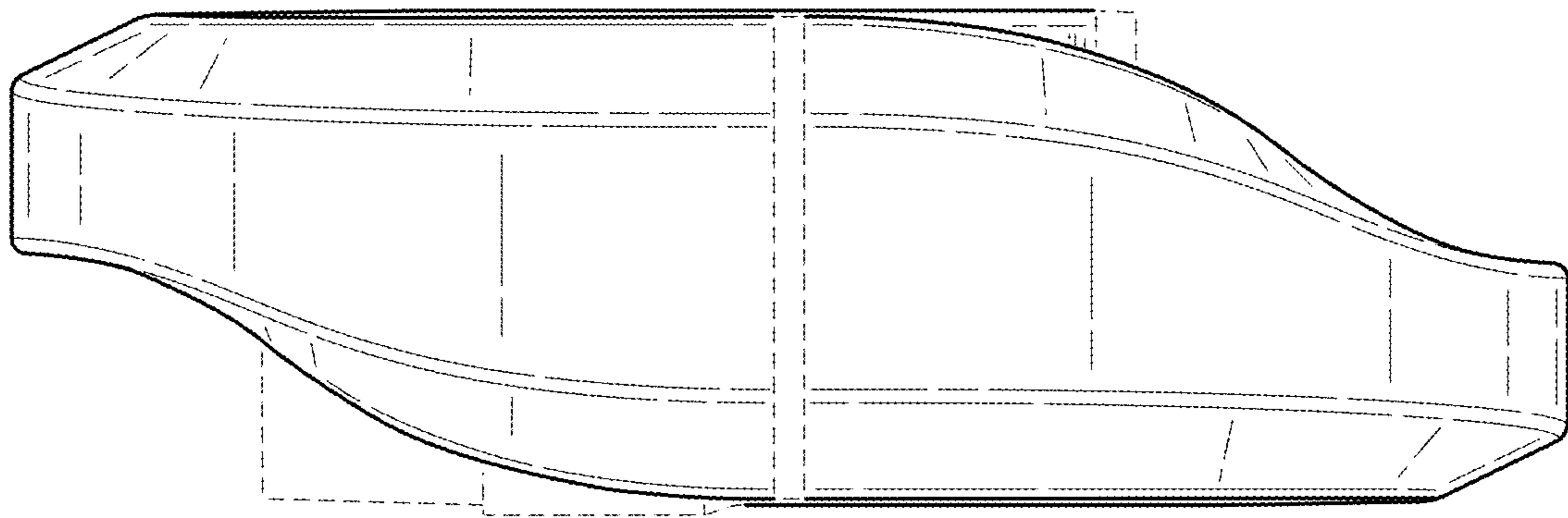


FIG.15

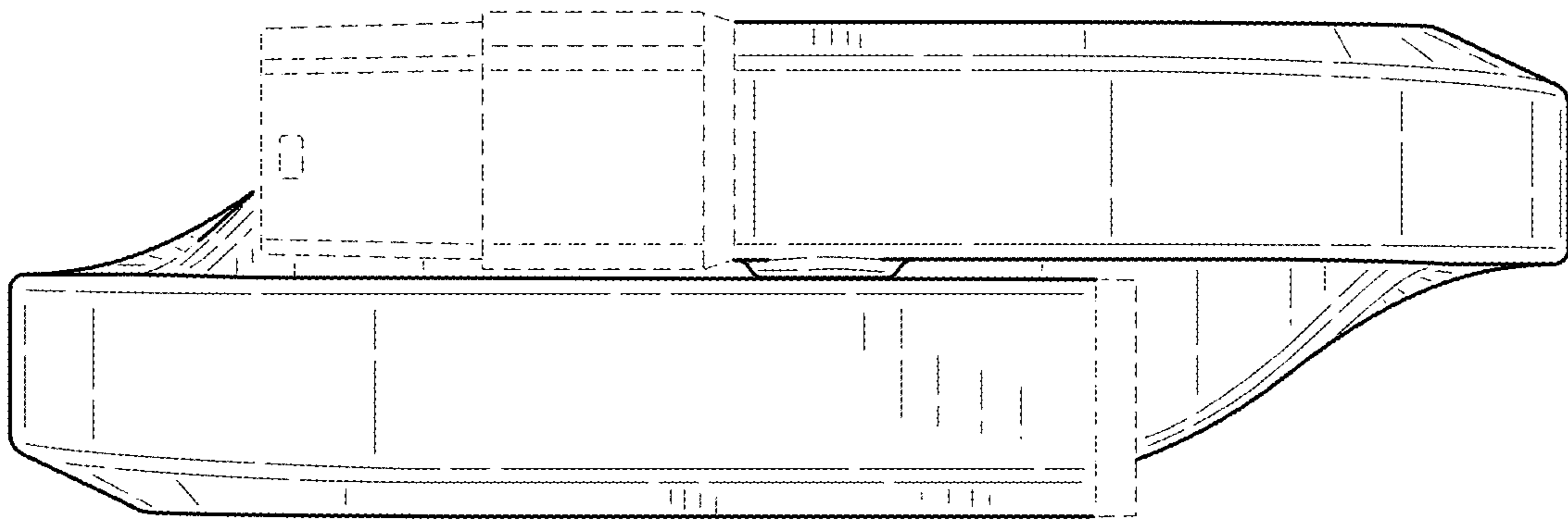


FIG.16