



US00D978706S

(12) **United States Design Patent** (10) **Patent No.:** **US D978,706 S**
Su (45) **Date of Patent:** **** Feb. 21, 2023**

(54) **BRACELET WATCHBAND**

(71) Applicant: **DONGGUAN HONGDAI ELECTRONIC TECHNOLOGY CO., LTD.**, Dongguan (CN)

(72) Inventor: **Liming Su**, Maoming (CN)

(73) Assignee: **DONGGUAN HONGDAI ELECTRONIC TECHNOLOGY CO., LTD.**, Dongguan (CN)

(**) Term: **15 Years**

(21) Appl. No.: **29/801,622**

(22) Filed: **Jul. 29, 2021**

(51) **LOC (14) Cl.** **11-01**

(52) **U.S. Cl.**
USPC **D11/3; D11/13**

(58) **Field of Classification Search**
USPC D11/1-5, 12, 13; D3/207
CPC A44C 5/0038; A44C 5/02; A44C 5/022;
A44C 5/0023; A44C 5/025; A44C 5/027;
A44C 5/08; A44C 5/185; A44C 11/00;
A44C 11/002; A44C 11/007; A44C 13/00;
A44C 15/003; A44C 15/0085; A44C
15/009; A44C 25/005
See application file for complete search history.

(56) **References Cited**

U.S. PATENT DOCUMENTS

D139,169 S * 10/1944 Hobe D11/13
D509,756 S * 9/2005 Ikeuchi D10/32
7,980,095 B1 * 7/2011 Masterson A44C 11/002
63/3.1
D793,271 S 8/2017 Cerrato
D802,467 S 11/2017 Novak
D837,084 S * 1/2019 Zhang D11/12
D894,781 S * 9/2020 Zhang D11/13
2006/0005575 A1 * 1/2006 LaRocca A44C 11/002
63/3

2010/0223955 A1* 9/2010 Ramos-Reymann
A44C 11/002
63/38
2014/0260423 A1* 9/2014 Rajan A44C 15/0015
29/896.411
2015/0027166 A1* 1/2015 Mace A44C 15/005
63/3.1

(Continued)

OTHER PUBLICATIONS

Secbolt Bling Bands, available for sale on www.amazon.com since Sep. 11, 2020, online. Site acquired on Jun. 30, 2022. URL:<"https://www.amazon.com/Secbolt-Compatible-Interchangeable-Adjustable-Stainless/dp/B08P1JQR6K/" (Year: 2020).*

Primary Examiner — Llorellys Martinez

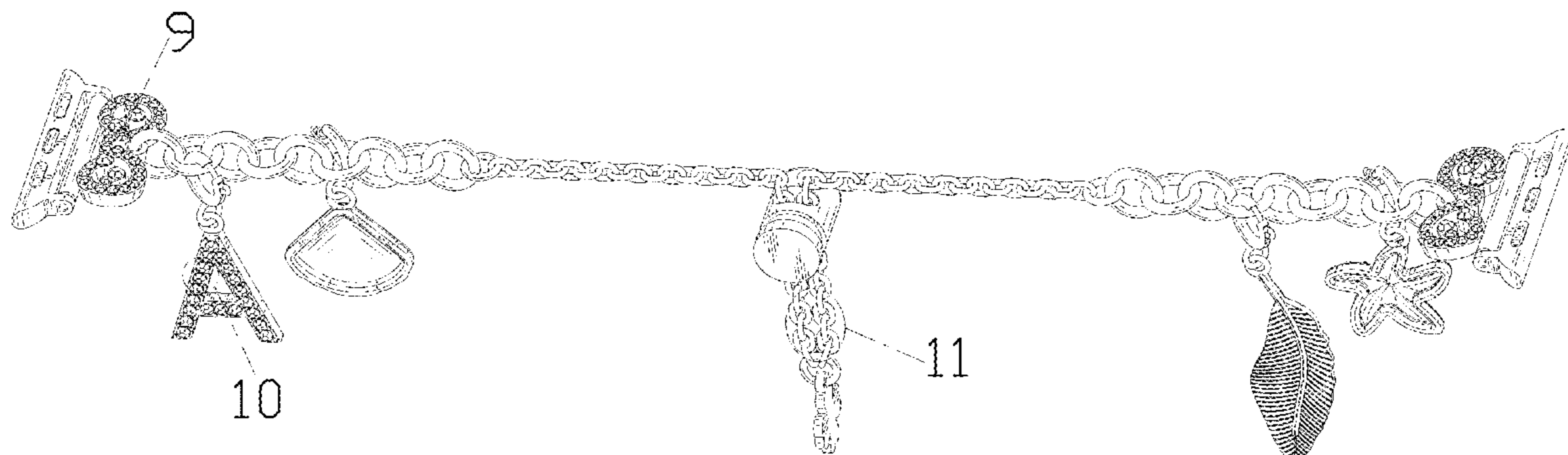
(57) **CLAIM**

The ornamental design for a bracelet watchband, as shown and described.

DESCRIPTION

FIG. 1 is a perspective view of a bracelet watchband showing my new design;
FIG. 2 is another perspective view thereof;
FIG. 3 is a front elevational view thereof;
FIG. 4 is a rear elevational view thereof;
FIG. 5 is a left side elevational view thereof;
FIG. 6 is a right side elevational view thereof;
FIG. 7 is a top plan view thereof;
FIG. 8 is a bottom plan view thereof;
FIG. 9 is an enlarged view of portion 9 shown in FIG. 1;
FIG. 10 is an enlarged view of portion 10 shown in FIG. 1;
and,
FIG. 11 is an enlarged view of portion 11 shown in FIG. 1.
The dash-dash broken lines in the drawings represent portions of the bracelet watchband that form no part of the claimed design. The dot-dash broken lines of FIG. 1 are included to show a partially enlarged view only and form no part of the claimed design.

1 Claim, 11 Drawing Sheets



(56)

References Cited

U.S. PATENT DOCUMENTS

2019/0029374 A1* 1/2019 Goldberg A44C 13/00

* cited by examiner

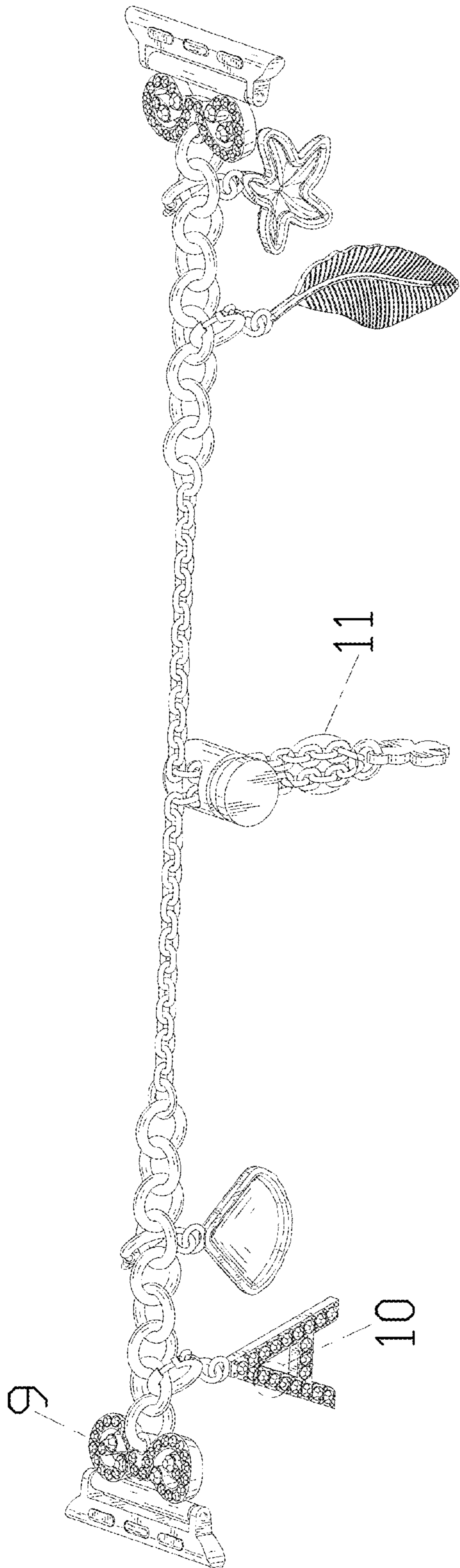


FIG. 1

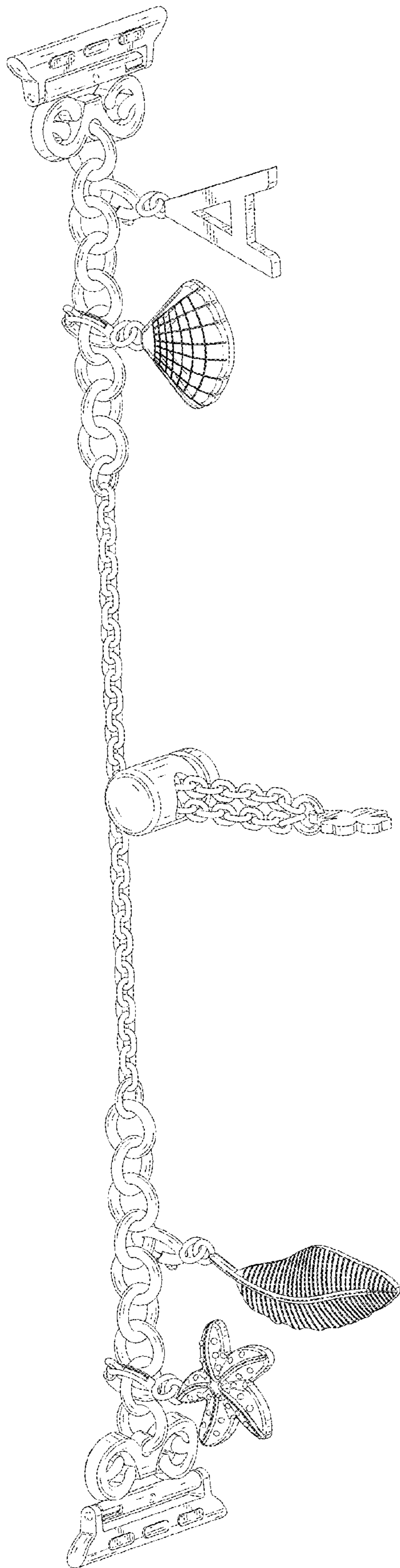


FIG. 2

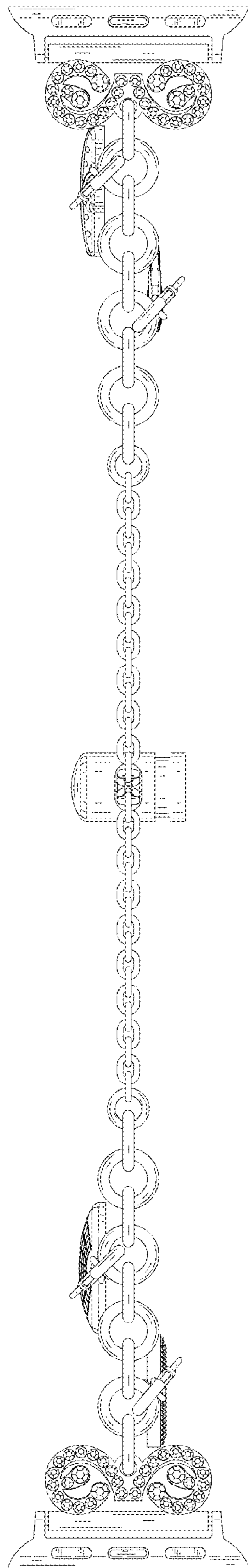


FIG. 3

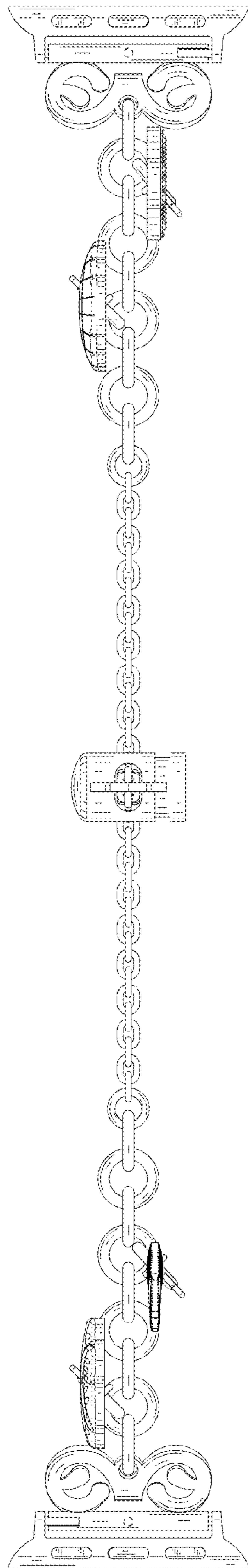


FIG. 4

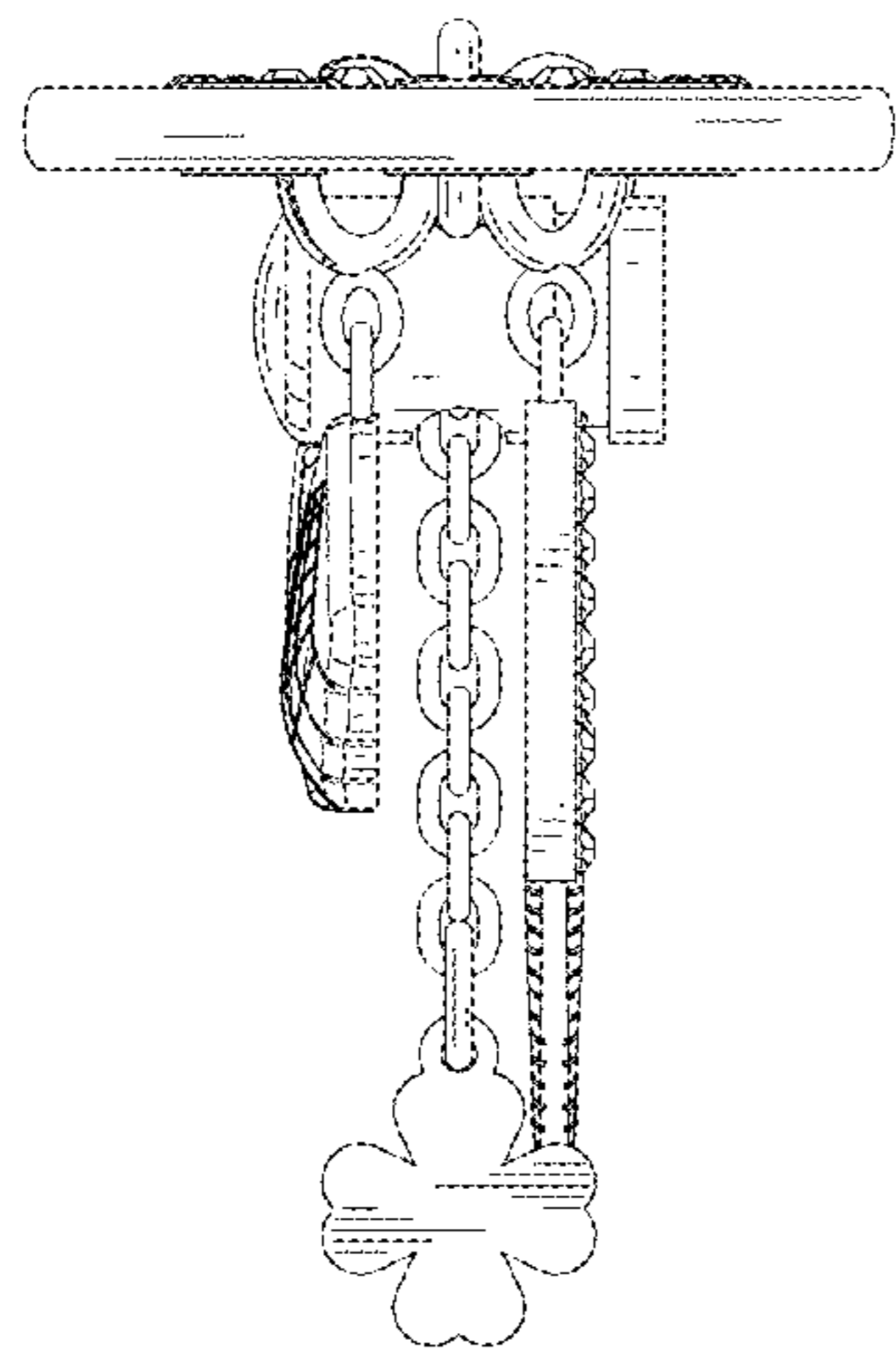


FIG. 5

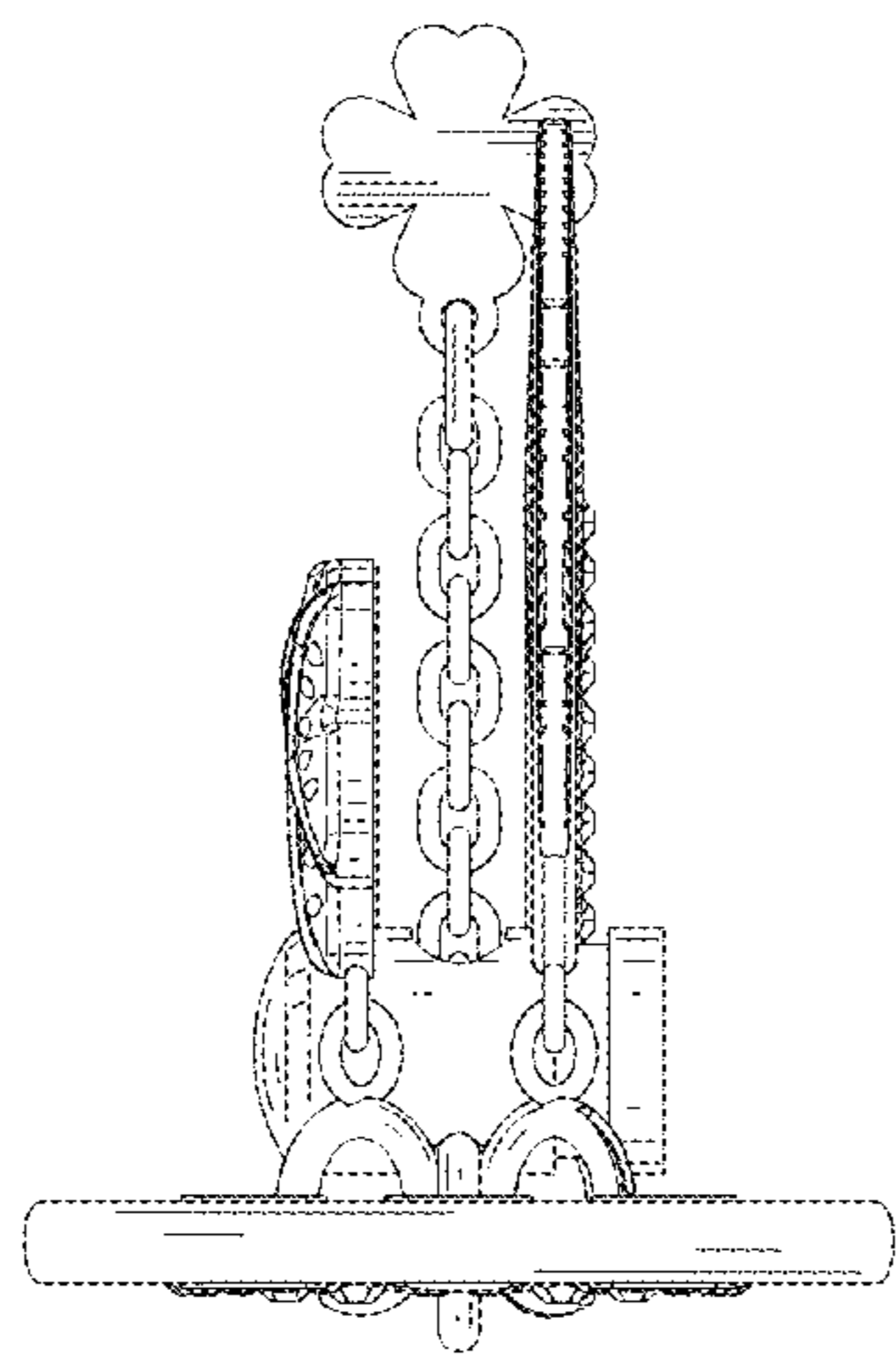


FIG. 6

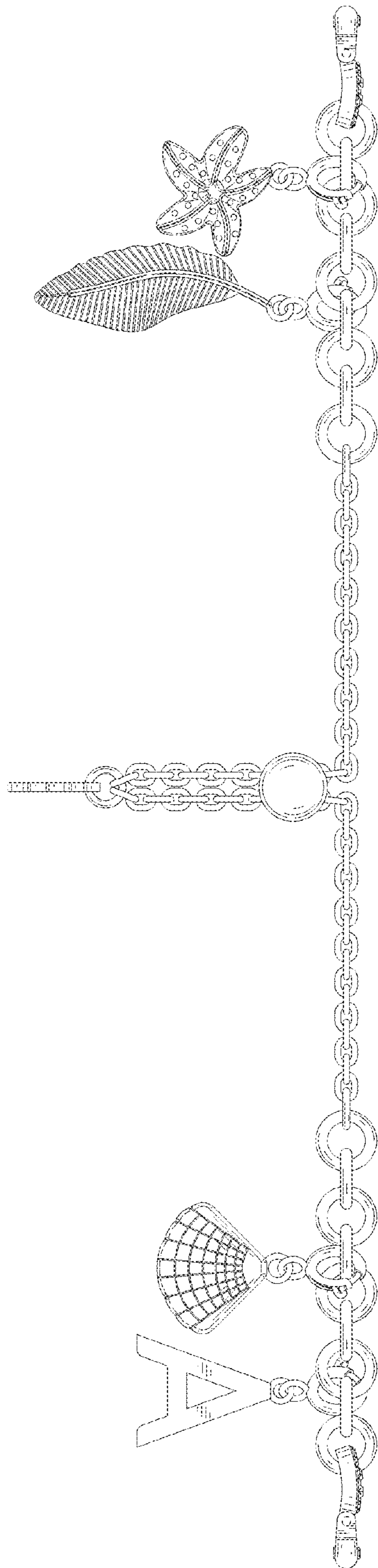


FIG. 7

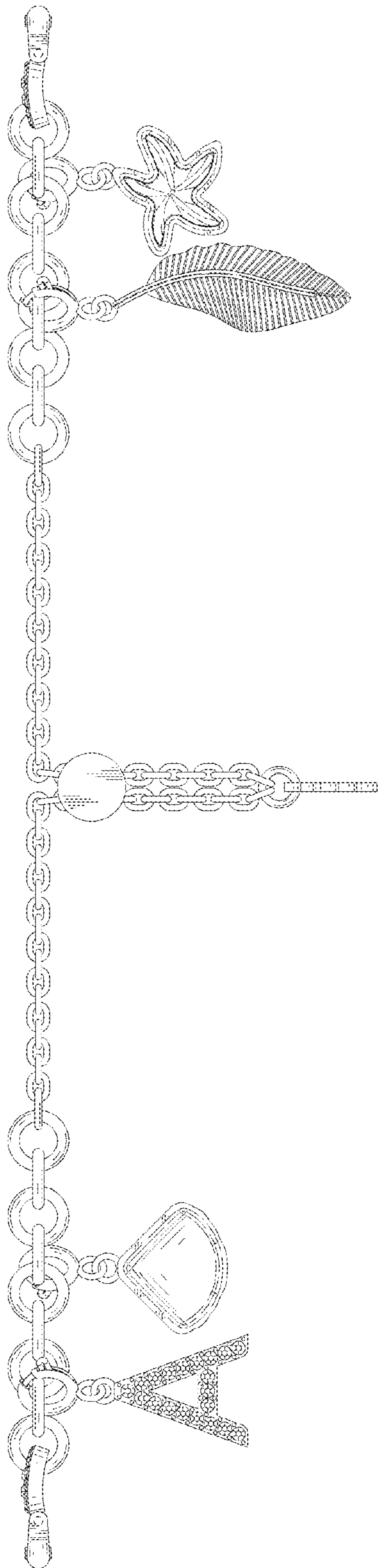


FIG. 8

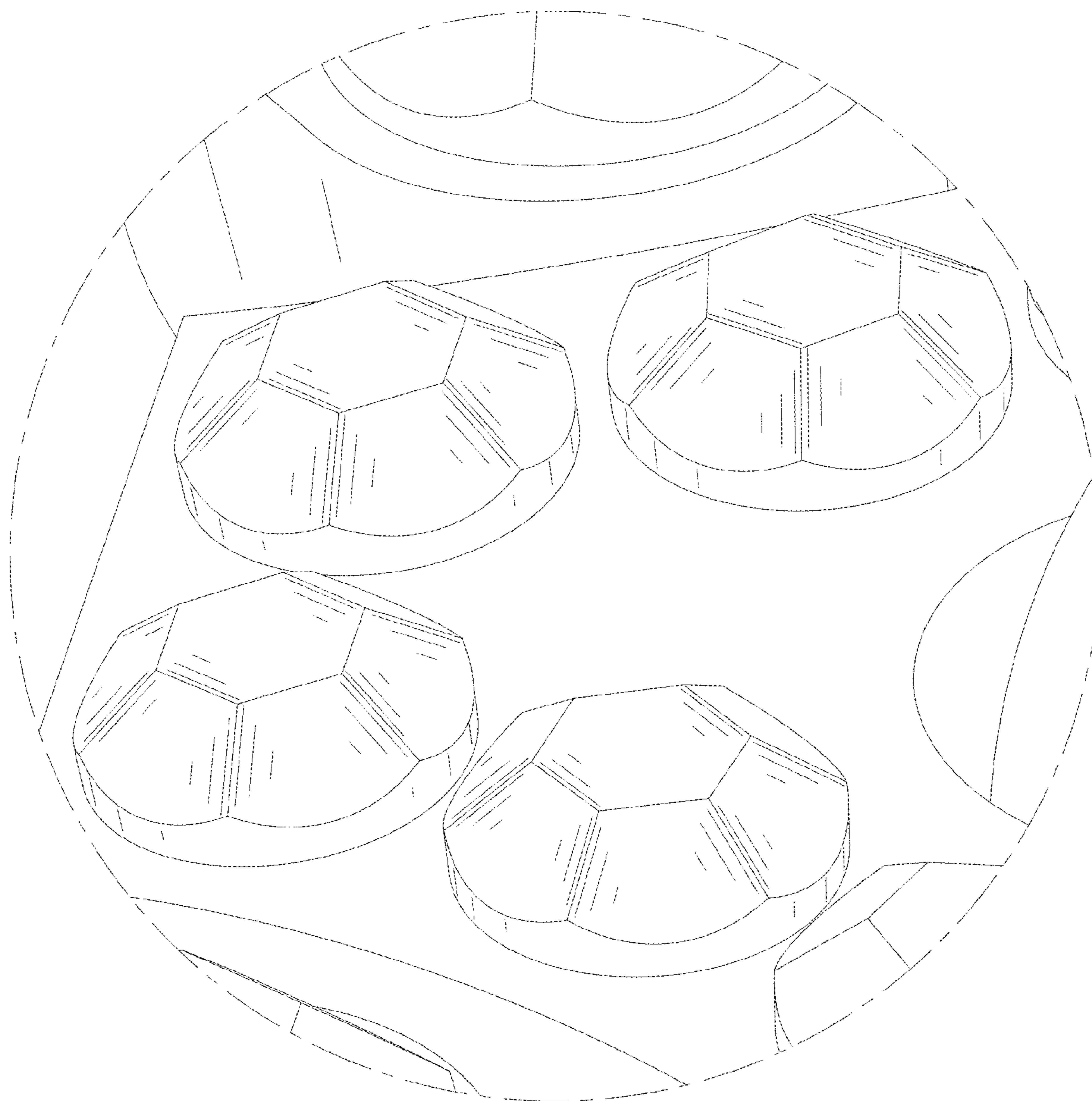


FIG. 9

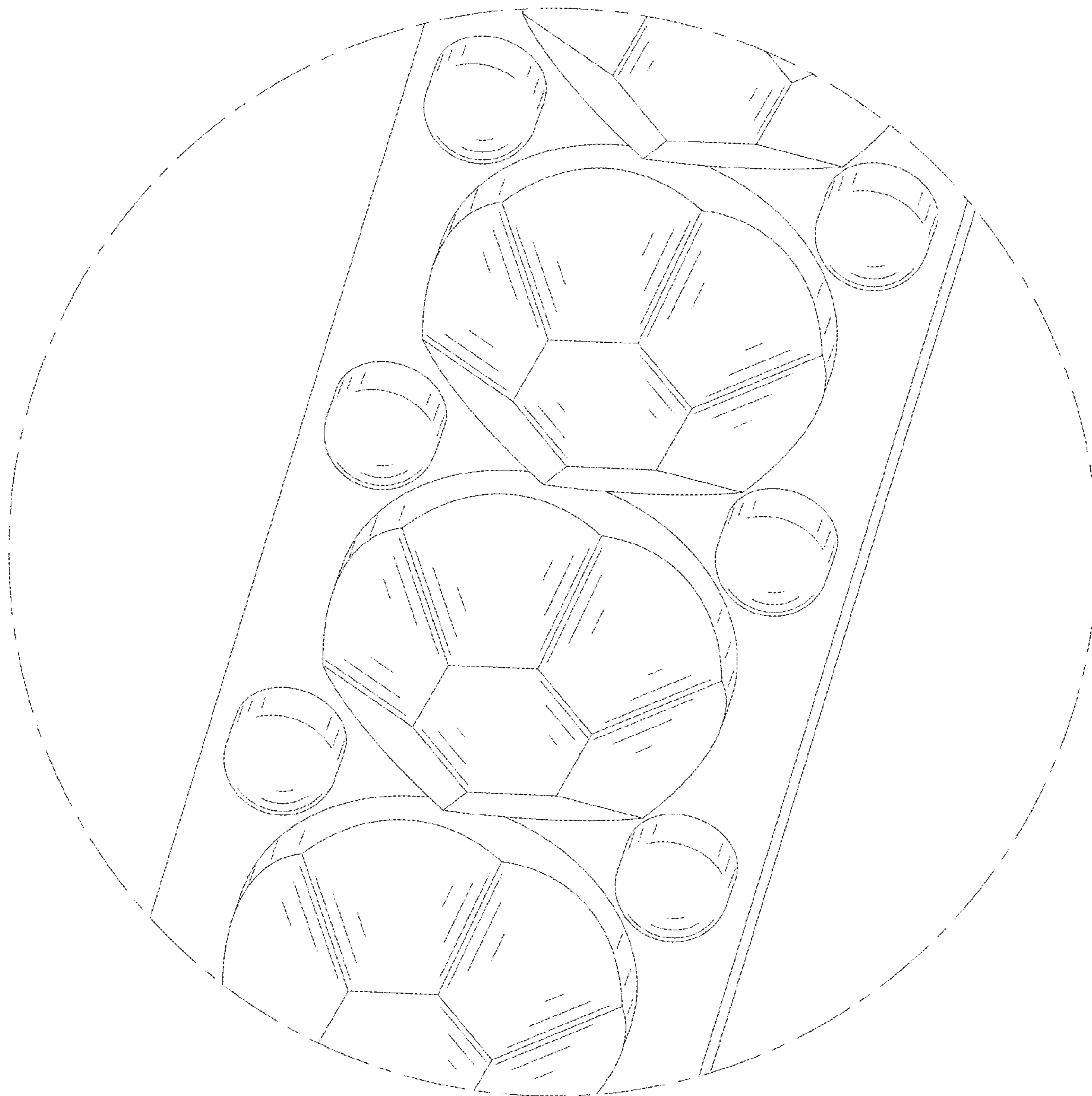


FIG. 10

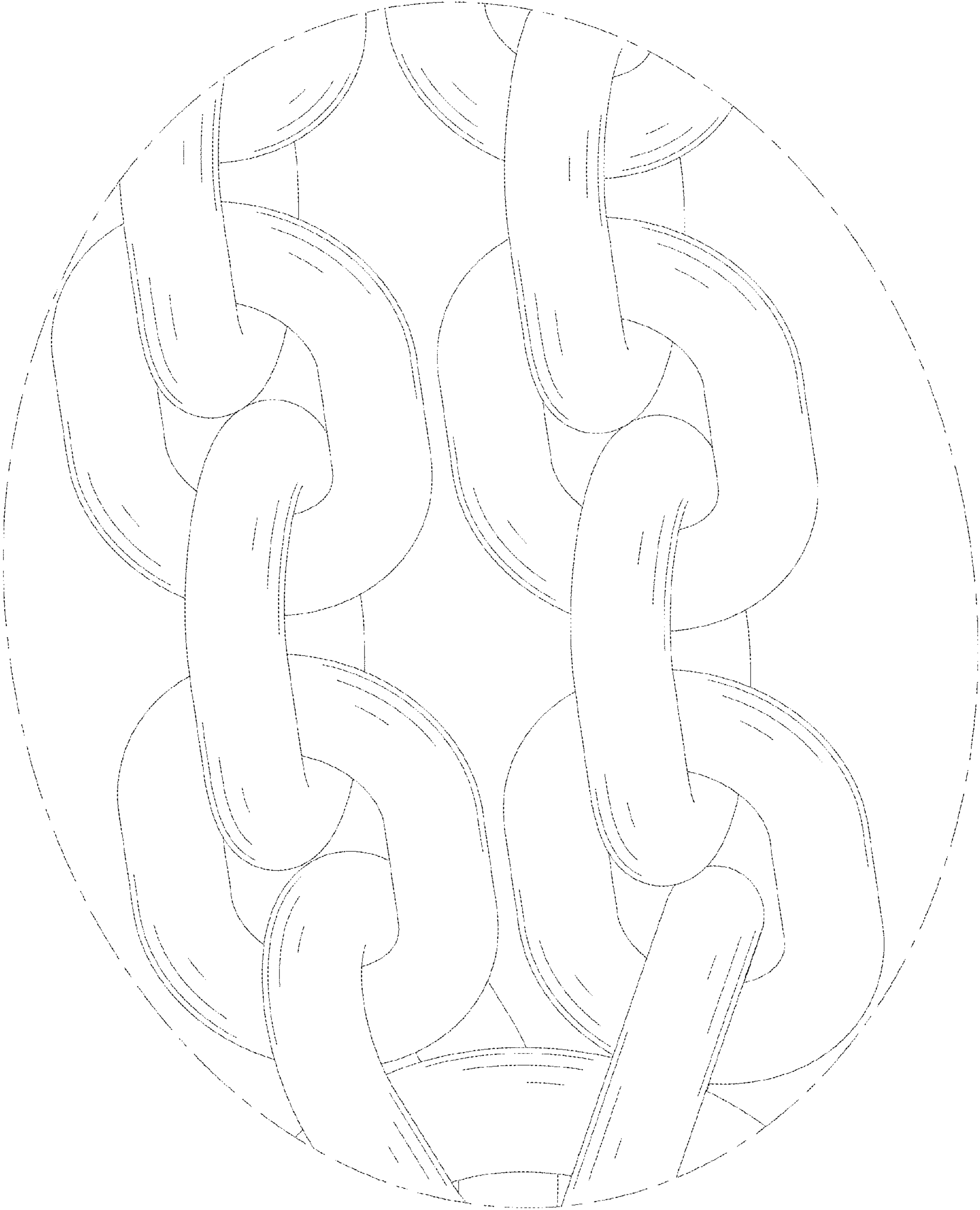


FIG. 11