



US00D978701S

(12) **United States Design Patent** (10) **Patent No.:** **US D978,701 S**
Scalisi et al. (45) **Date of Patent:** **** Feb. 21, 2023**

(54) **DOORBELL**

(71) Applicant: **SkyBell Technologies, Inc.**, Irvine, CA (US)

(72) Inventors: **Joseph Frank Scalisi**, Yorba Linda, CA (US); **Joon Sung**, Riverside, CA (US)

(73) Assignee: **SkyBell Technologies IP, LLC**, Irvine, CA (US)

(**) Term: **15 Years**

(21) Appl. No.: **29/719,464**

(22) Filed: **Jan. 3, 2020**

(51) **LOC (14) Cl.** **10-05**

(52) **U.S. Cl.**
USPC **D10/118.2**

(58) **Field of Classification Search**
USPC D10/106.6, 106.7, 106.8, 116.1, 118, D10/118.2, 121-124, 126; D13/171, 174; D14/358; D16/202, 203, 208, 209, 215
CPC ... G08B 3/00; G08B 3/10; G08B 7/00; G08B 7/06; G08B 13/1436; G08B 13/1463; G08B 13/1481

See application file for complete search history.

(56) **References Cited**

U.S. PATENT DOCUMENTS

1,230,643 A	6/1917	Anderson
D179,803 S	3/1957	Gillette
4,172,967 A	10/1979	Porter
D283,130 S	3/1986	Boenning
D305,019 S	12/1989	Pena
D318,632 S	7/1991	Polacek
5,148,468 A	9/1992	Marrick
D335,283 S	5/1993	Justiniano
D344,036 S	2/1994	Yuen
D366,262 S	1/1996	Inaba
D381,638 S	7/1997	Kruse
D392,907 S	3/1998	Buckley

(Continued)

OTHER PUBLICATIONS

Feel the Nature; Modern Push Button Light Switch; Downloaded on Jun. 13, 2018 from <URL: <http://feelthenature.info/modern-push-button-light-switch/>>; Prior art publication at least as of Apr. 1, 2018.

(Continued)

Primary Examiner — Joseph Kukella

(74) *Attorney, Agent, or Firm* — Gallium Law; Wesley Schwie, Esq.

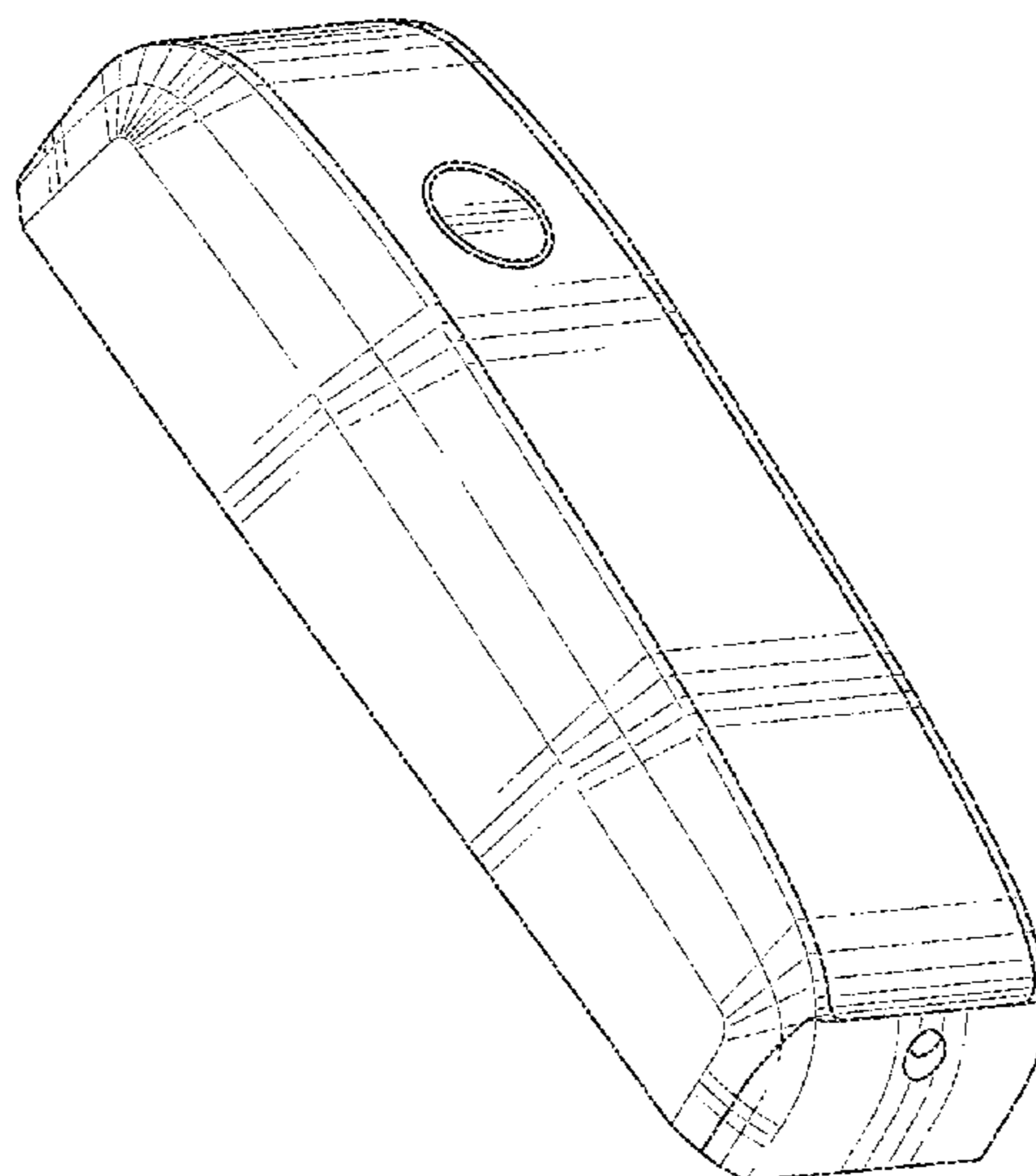
(57) **CLAIM**

The ornamental design for a doorbell, as shown and described.

DESCRIPTION

FIG. 1 is a front, first side, and bottom perspective view of a doorbell embodying the new design; FIG. 2 is a front view thereof; FIG. 3 is a back view thereof; FIG. 4 is a first side view thereof; FIG. 5 is a second side view thereof; FIG. 6 is a top view thereof; FIG. 7 is a bottom view thereof; FIG. 8 is a front, first side, and bottom perspective view of the doorbell with a battery access door in an open position; FIG. 9 is a front, first side, and bottom perspective view of the doorbell with the battery access door in the open position and a battery partially removed; and, FIG. 10 is a front, first side, and bottom perspective view of the doorbell with the battery access door in the open position and the battery fully removed. Any uniform repeating broken lines being presented depict portions of a doorbell in which the claimed design is embodied and form no part of the claimed design.

1 Claim, 10 Drawing Sheets



(56)

References Cited

U.S. PATENT DOCUMENTS

D392,576 S 5/1998 Pun
 D405,021 S 2/1999 Stelle
 D418,770 S 1/2000 Ragan
 D500,751 S 1/2005 Yukikado
 7,015,943 B2 3/2006 Chiang
 D519,100 S 4/2006 Shioya
 D522,490 S 6/2006 Yukikado
 D525,963 S 8/2006 Yukikado
 7,113,578 B2 9/2006 Unger
 D531,160 S 10/2006 Yukikado
 D562,306 S 2/2008 Jeong
 D574,742 S 8/2008 Spencer
 D575,316 S 8/2008 Liu
 D588,069 S 3/2009 Cummings
 D588,574 S 3/2009 Takahata
 D592,611 S 5/2009 Altonen
 D595,240 S 6/2009 Busbridge
 D595,260 S 6/2009 Takahata
 D605,542 S 12/2009 Ho
 D621,795 S 8/2010 Leung
 D623,605 S 9/2010 Flowers
 D633,930 S 3/2011 Dinger
 D635,102 S 3/2011 Tsui
 D636,286 S 4/2011 Khor
 D645,001 S 9/2011 Margolin
 D658,591 S 5/2012 Margolin
 D660,819 S 5/2012 Chen
 D707,147 S 6/2014 Crippa
 D710,727 S 8/2014 Siminoff
 D710,728 S 8/2014 Siminoff
 8,834,044 B2 9/2014 Uehara
 D728,509 S 5/2015 Hinkel
 D728,655 S 5/2015 Yang
 D736,717 S 8/2015 Duffy
 9,113,051 B1 8/2015 Scalisi
 D747,386 S 1/2016 Li
 9,230,424 B1 1/2016 Scalisi
 D754,231 S 4/2016 Murray
 D764,958 S 8/2016 Scalisi
 D765,530 S 9/2016 Scalisi
 D766,864 S 9/2016 Tani
 D766,865 S 9/2016 Tani
 D776,068 S 1/2017 Maffetone
 D778,195 S 2/2017 Li
 9,584,775 B2 2/2017 Siminoff
 D787,359 S 5/2017 Scalisi
 D788,061 S 5/2017 Siminoff
 D788,834 S 6/2017 Bhattacharya
 D789,820 S 6/2017 Siminoff
 D793,268 S 8/2017 Ye
 D795,940 S 8/2017 Huang
 D798,177 S 9/2017 Siminoff
 9,769,435 B2 9/2017 Scalisi
 D800,592 S 10/2017 Jean
 D801,843 S 11/2017 Siminoff
 D802,463 S 11/2017 Siminoff
 D802,644 S 11/2017 Lee
 D806,773 S 1/2018 Wieser
 D806,774 S 1/2018 Ahman
 D813,700 S 3/2018 Scalisi
 D813,701 S 3/2018 Scalisi
 D816,528 S 5/2018 Wen
 D817,207 S 5/2018 Scalisi
 D817,208 S 5/2018 Ravat
 D818,514 S 5/2018 Ahman
 D820,136 S 6/2018 Scalisi
 10,041,639 B1 8/2018 Thompson

D828,201 S * 9/2018 Jeong D10/118.2
 D840,856 S 2/2019 Scalisi
 D840,857 S 2/2019 Scalisi
 D896,674 S * 9/2020 Yu D10/118.2
 D904,217 S * 12/2020 Furnari D10/118.2
 D921,511 S * 6/2021 Li D10/118.2
 D923,505 S * 6/2021 Scalisi D10/118.2
 D927,338 S * 8/2021 Smalley D10/118.2
 D928,005 S * 8/2021 Smalley D10/118.2
 D947,701 S * 4/2022 Stefans D10/118.2
 D947,702 S * 4/2022 Stefans D10/118.2
 D947,703 S * 4/2022 Stefans D10/118.2
 D947,704 S * 4/2022 Stefans D10/118.2
 D954,583 S * 6/2022 Russo D10/118.2
 2004/0124978 A1 7/2004 Chen
 2008/0036862 A1 2/2008 Lang
 2013/0045763 A1 2/2013 Ruiz
 2013/0335568 A1 12/2013 Tang
 2014/0125754 A1 5/2014 Haywood
 2014/0301729 A1 10/2014 Okamura
 2015/0022618 A1 1/2015 Siminoff
 2015/0049191 A1 2/2015 Scalisi
 2015/0228167 A1 8/2015 Scalisi
 2016/0191864 A1 6/2016 Siminoff
 2016/0284170 A1 9/2016 Kasmir
 2016/0300476 A1 10/2016 Kasmir
 2017/0048495 A1 2/2017 Scalisi
 2017/0084131 A1 3/2017 Harrison
 2017/0084132 A1 3/2017 Scalisi
 2017/0280109 A1 9/2017 Scalisi
 2017/0339262 A1 11/2017 Scalisi
 2017/0373876 A1 12/2017 Scalisi
 2017/0373877 A1 12/2017 Scalisi
 2018/0069722 A1 3/2018 Scalisi

OTHER PUBLICATIONS

Forbes; The Invisible Light Switch; Downloaded on Jun. 13, 2018 from <URL: <https://web.archive.org/web/20130404165907/https://www.forbesandlomag.com/the-invisible-lightswitch.html>>; Prior art publication at least as of Apr. 4, 2013.
 Amazon; Wireless Doorbell and Wireless Intercom Doorbell; Downloaded on Jun. 13, 2018 from <URL: <https://www.amazon.com/Wireless-Doorbell-Intercom-Operating-Napok/dp/B071FR8J41>>; Prior art publication at least as of Jun. 1, 2017.
 Etsy; 2 Vintage Intercom Push Button Boxes Desktop Bakelite 1872 Edwards; Downloaded on Jun. 13, 2018 from <URL: <https://www.etsy.com/listing/599141432/2-vintage-intercom-push-button-boxes>>; Prior art publication at least as of May 30, 2018.
 Home Depot; Nest Wired Hello Door Bell Push Button, White; Downloaded on Jun. 13, 2018 from <URL: <https://www.homedepot.com/p/Nest-Wired-Hello-Door-Bell-Push-Button-White-NC5100US/302997805>>; Prior art publication at least as of May 30, 2018.
 Toms Guide; Best Video Doorbells of 2018; Downloaded on Jun. 13, 2018 from <URL: <https://www.tomsguide.com/us/best-video-doorbells,review-4468.html>>; Prior art publication at least as of May 18, 2018.
 Youtube; Wi-Fi Video Door Intercom + Door Bell—CVAEQ-J118; Downloaded on Jun. 13, 2018 from <URL: https://www.youtube.com/watch?v=CFcaYI_K19E>; Prior art publication at least as of Jun. 27, 2015.
 Blink for Home; Blink XT Add On Camera—Refurbished; Downloaded on Jun. 13, 2018 from <URL: <https://blinkforhome.com/products/blinkxt-refurbished>>; Prior art publication at least as of May 30, 2018.

* cited by examiner

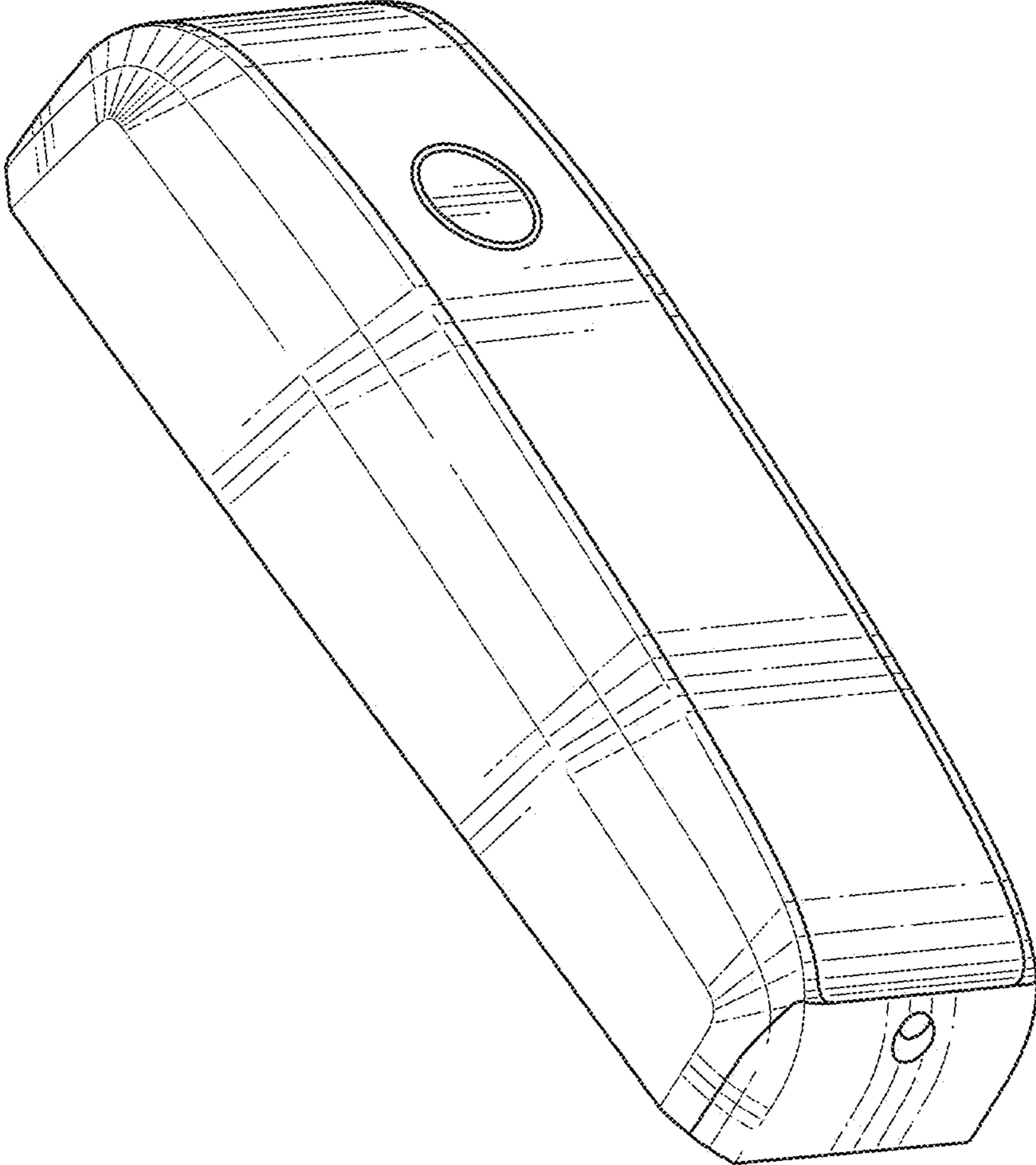


Figure 1

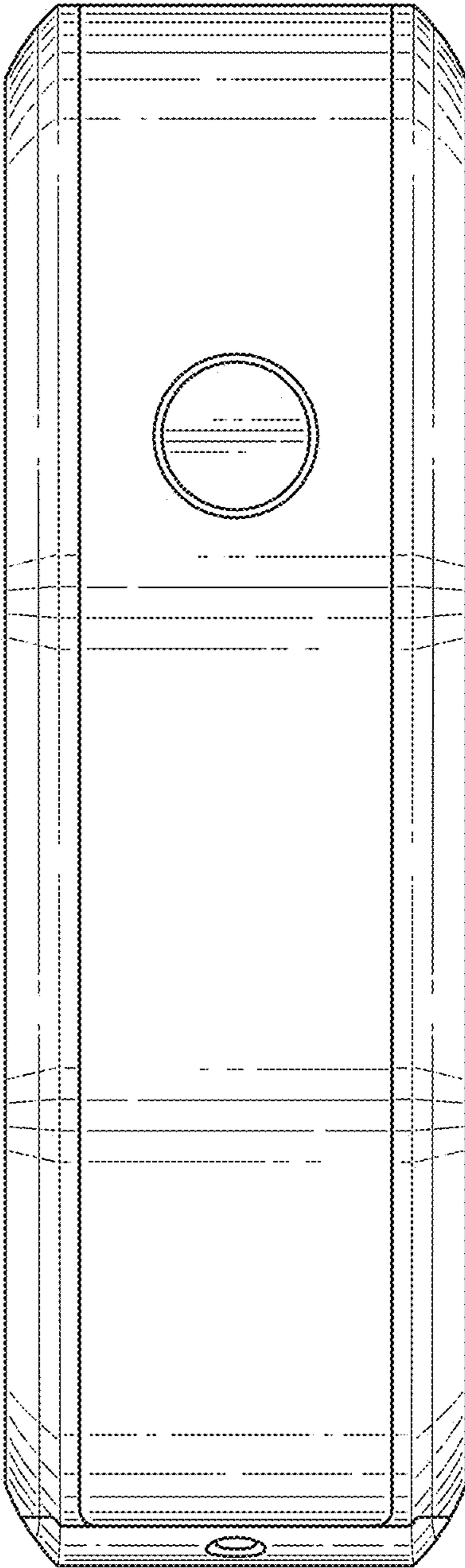


Figure 2

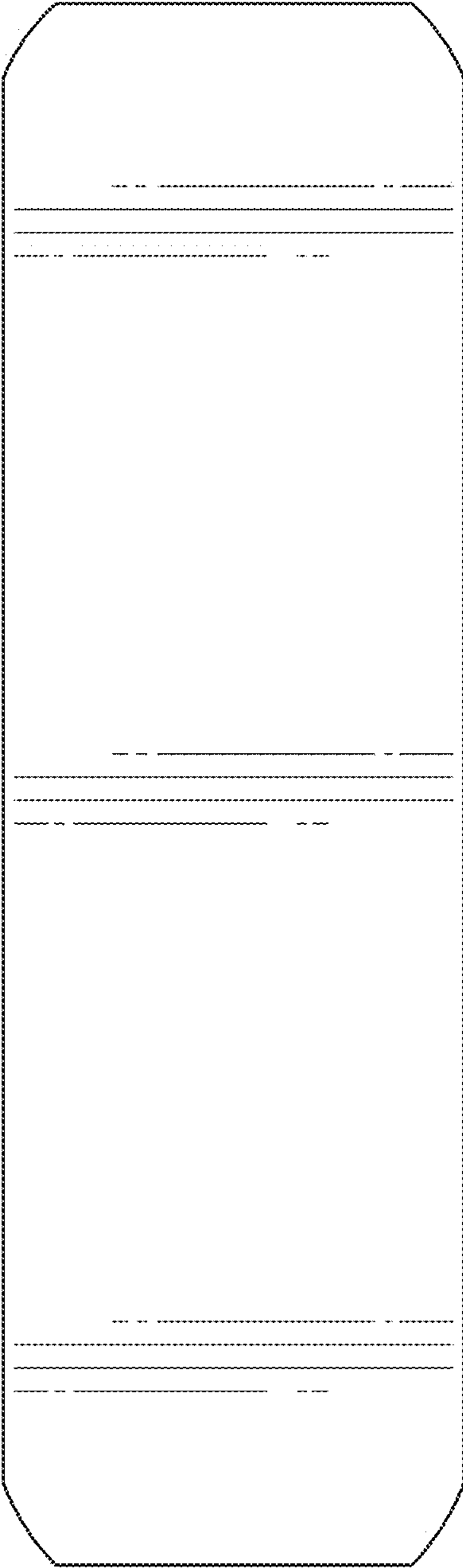


Figure 3

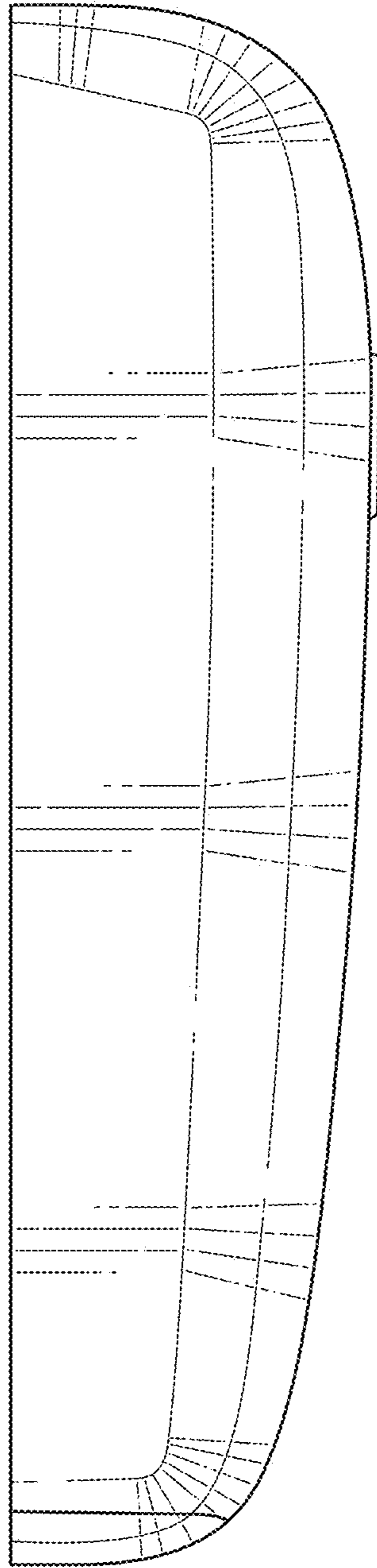


Figure 4

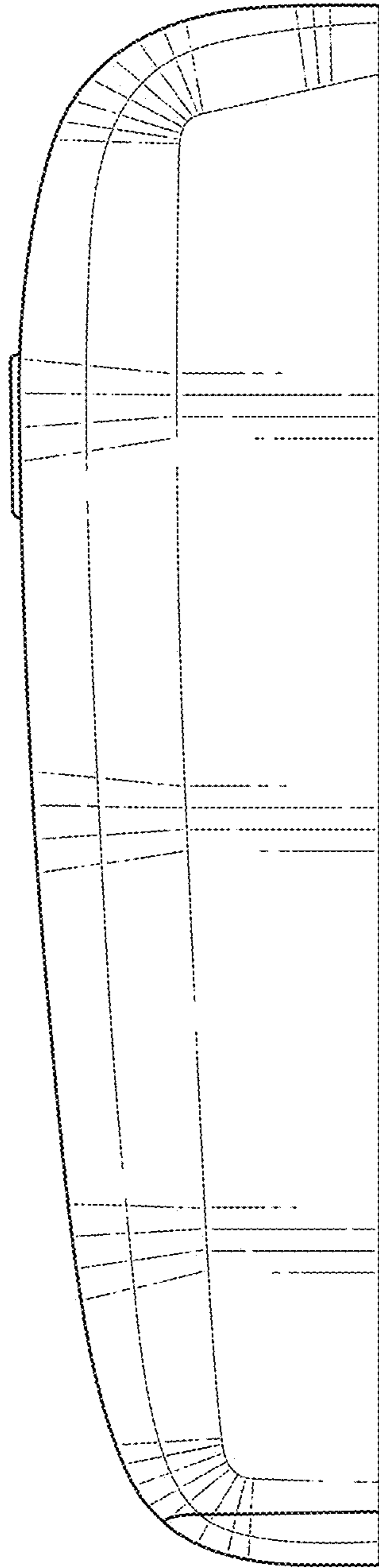


Figure 5

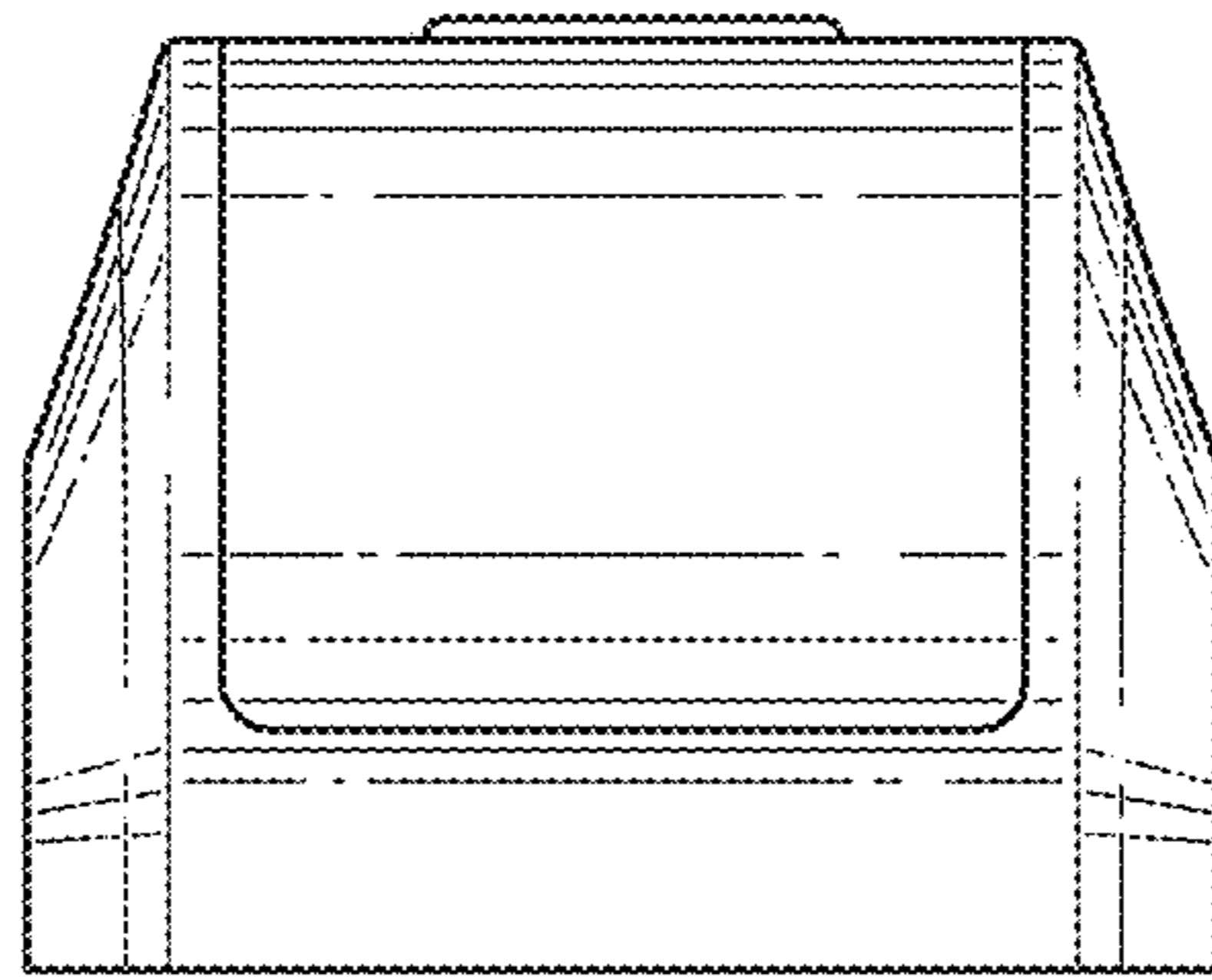


Figure 6

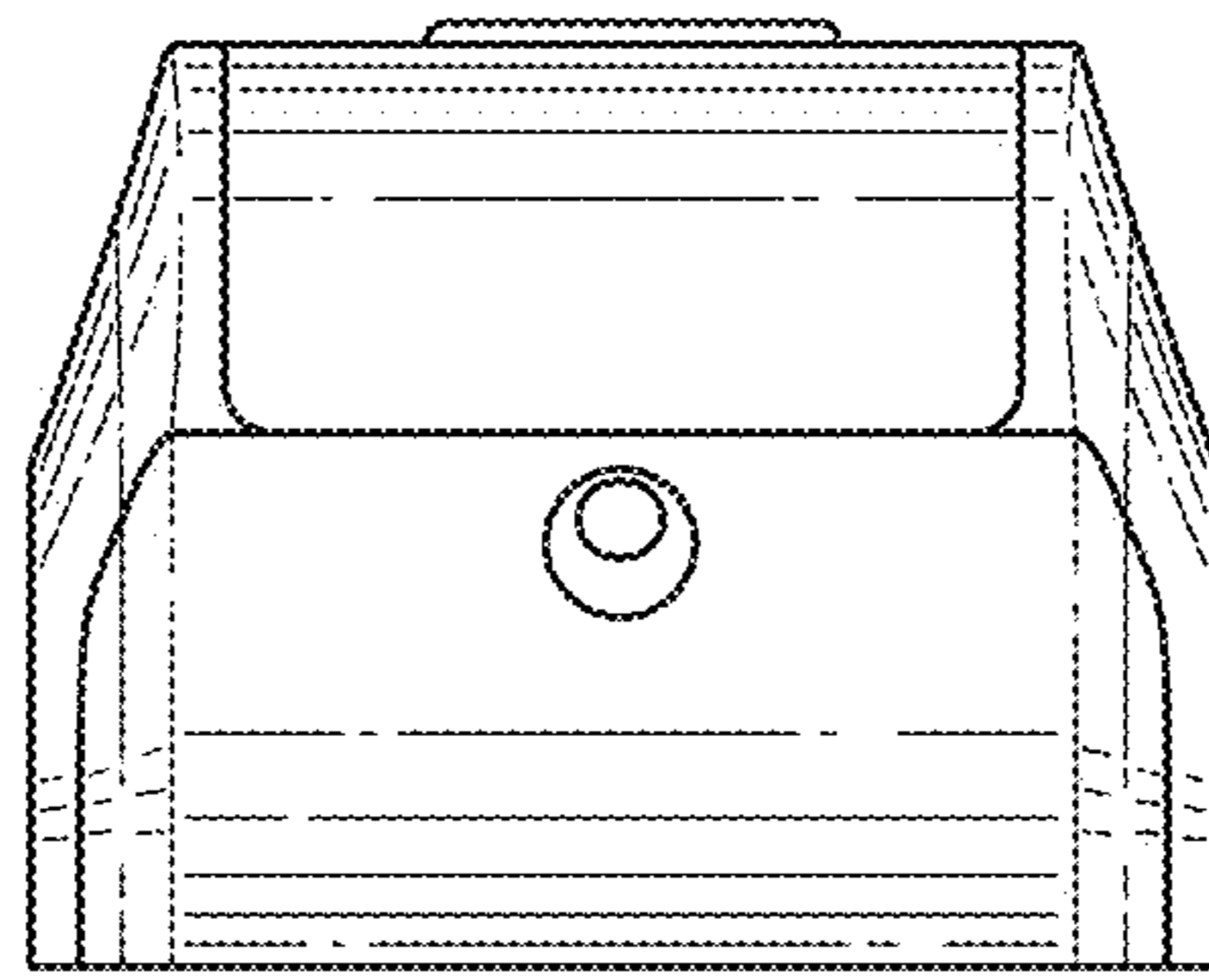


Figure 7

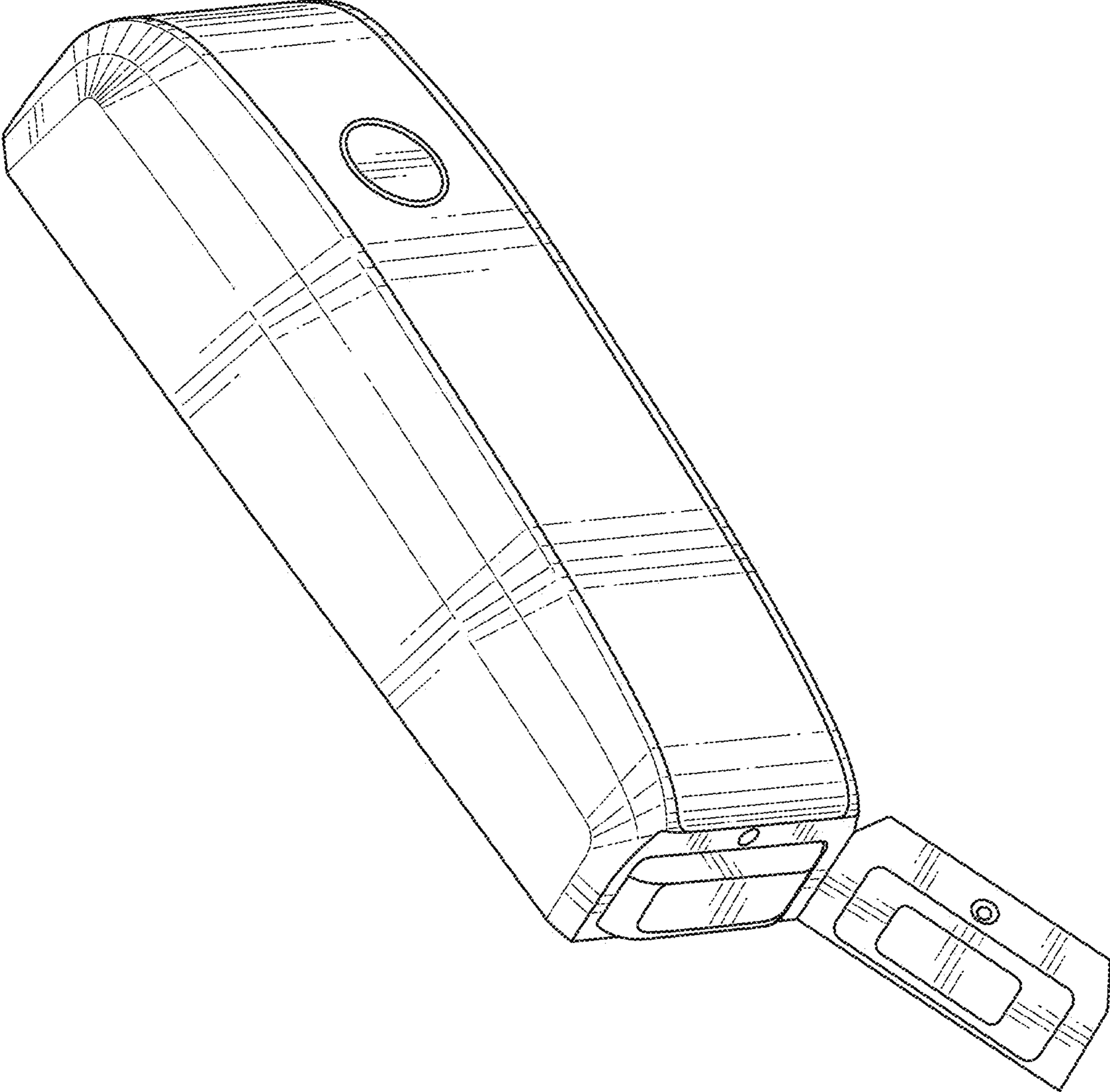


Figure 8

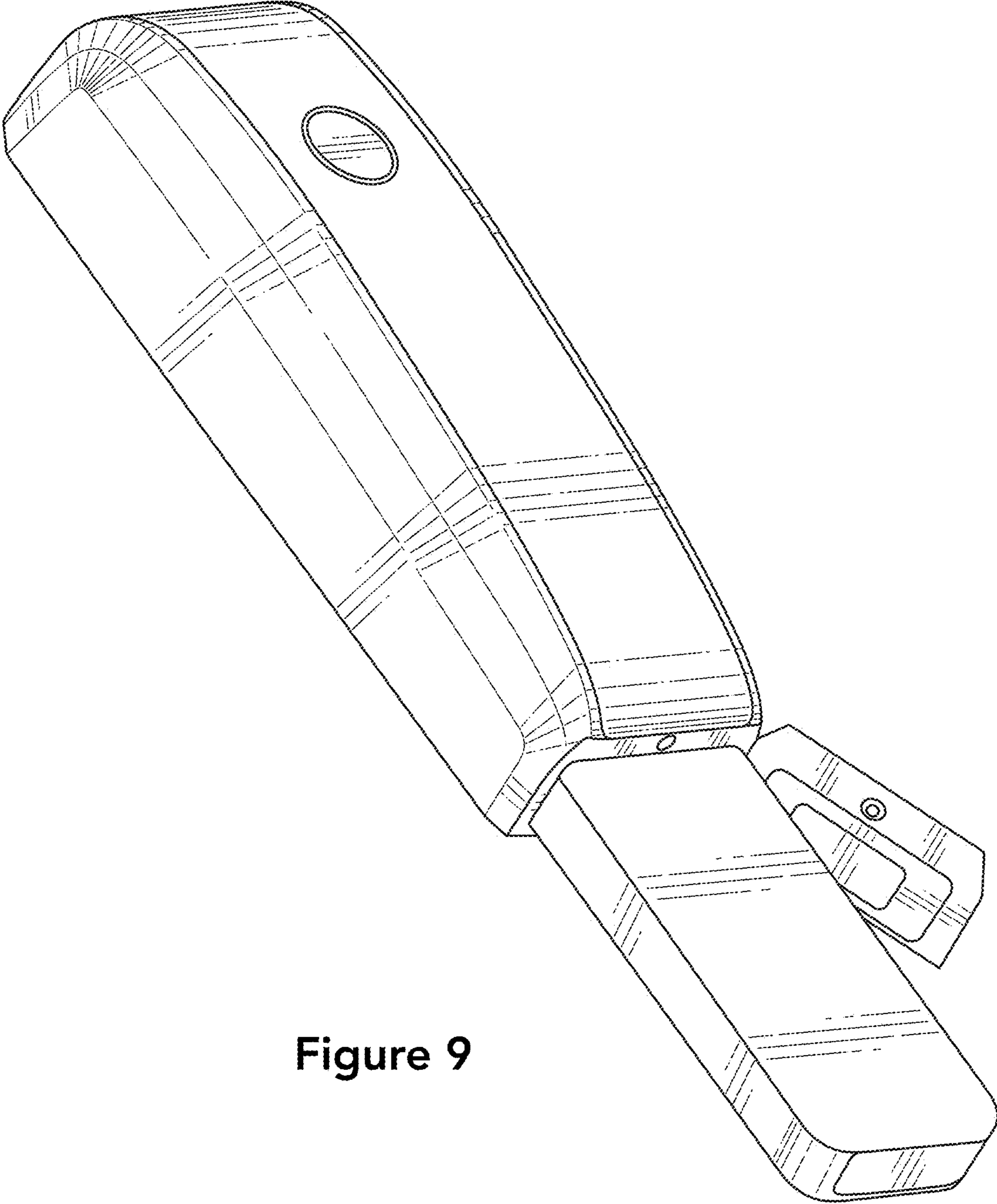


Figure 9

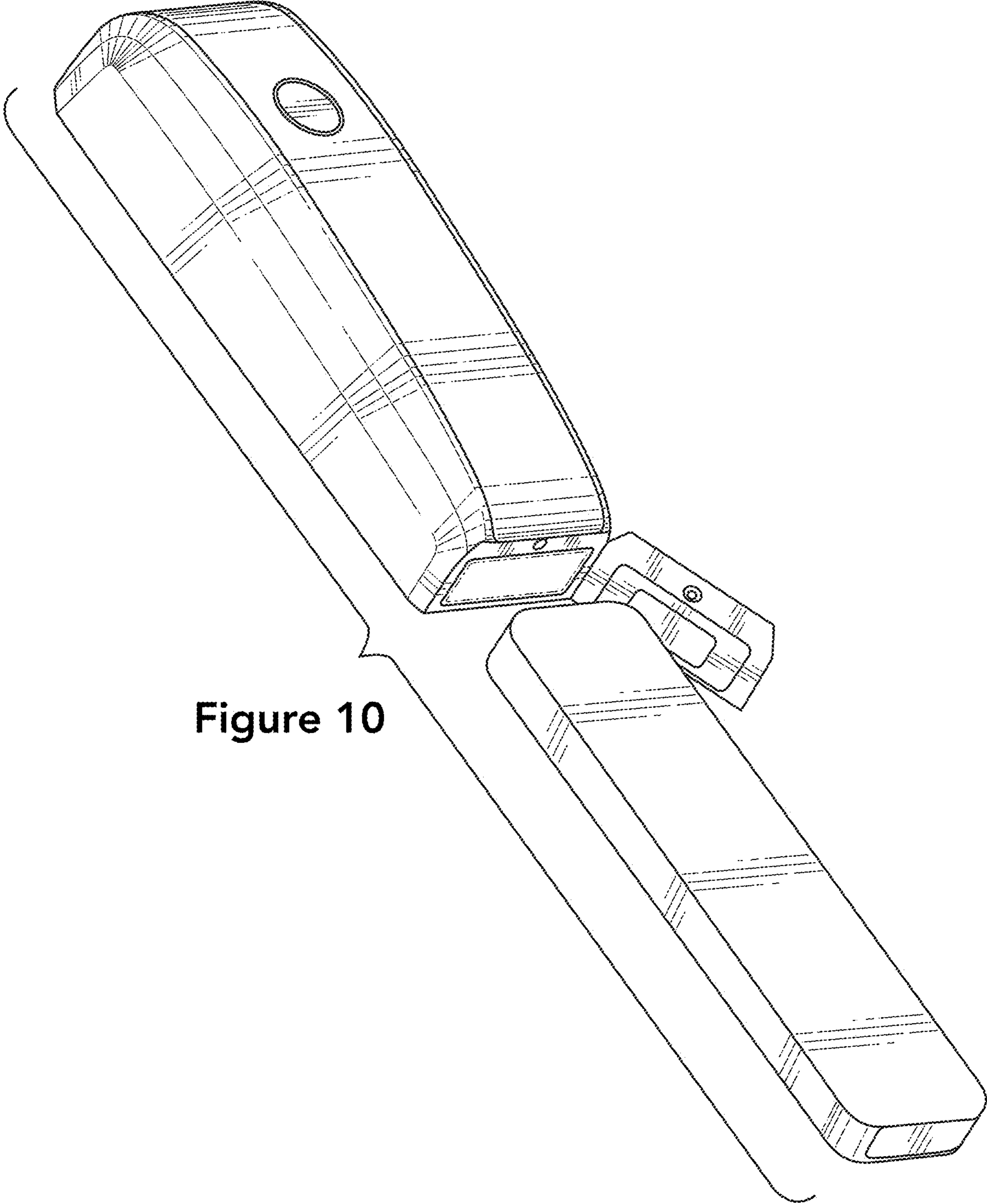


Figure 10