



US00D978695S

(12) **United States Design Patent**
van Harten

(10) **Patent No.:** **US D978,695 S**

(45) **Date of Patent:** **** Feb. 21, 2023**

(54) **CONTROL UNIT FOR A CONTROL VALVE**

(71) Applicant: **Focus-On V.O.F.**, Dordrecht (NL)

(72) Inventor: **Eelco van Harten**, Dordrecht (NL)

(**) Term: **15 Years**

(21) Appl. No.: **35/511,755**

(22) Filed: **Jan. 8, 2021**

(80) **Hague Agreement Data**

Int. Filing Date: **Jan. 8, 2021**

Int. Reg. No.: **DM/213760**

Int. Reg. Date: **Jan. 8, 2021**

Int. Reg. Pub. Date: **Apr. 30, 2021**

(51) **LOC (14) Cl.** **10-04**

(52) **U.S. Cl.**
USPC **D10/99**

(58) **Field of Classification Search**
USPC D23/233, 235-237; D10/46, 96-100
CPC G01F 1/06; G01F 1/44; G01F 1/68; G01F
1/6845; G01F 1/6842; G01F 15/14
See application file for complete search history.

(56) **References Cited**

U.S. PATENT DOCUMENTS

- D289,431 S * 4/1987 Clivio F16K 37/005
D23/246
- D299,516 S * 1/1989 Wang D23/200
- D331,104 S * 11/1992 Bender D23/416
- D348,018 S * 6/1994 Poleshuk D10/99
- D415,440 S * 10/1999 Beadsworth D10/99
- D526,920 S * 8/2006 Kagan D10/99
- D662,844 S * 7/2012 Guerrero D10/96
- D665,287 S * 8/2012 Fukano D10/96
- D686,297 S * 7/2013 Laugen D23/233

- D691,243 S * 10/2013 Meyer D23/245
- D709,394 S * 7/2014 Ruoff D10/96
- 9,109,935 B2 * 8/2015 Yang G01F 1/6845
- D809,950 S * 2/2018 Tabata D10/96
- D863,087 S * 10/2019 Henrich D10/96
- D891,279 S * 7/2020 Gilley D10/96
- D928,915 S * 8/2021 Okawara D23/233
- D940,578 S * 1/2022 Jungen G01F 1/6845
D10/96
- 2020/0386594 A1 * 12/2020 Boer F16K 37/005

OTHER PUBLICATIONS

Focus-On; Youtube; "Focus-On Pressconference, Sept. 19, 2019";
[online] 'https://www.youtube.com/watch?v=X47viKIQZ2M'; posted
Oct. 2, 2019; accessed Oct. 18, 2022; 6pgs. (Year: 2019).*

* cited by examiner

Primary Examiner — Keli L Hill

(57) **CLAIM**

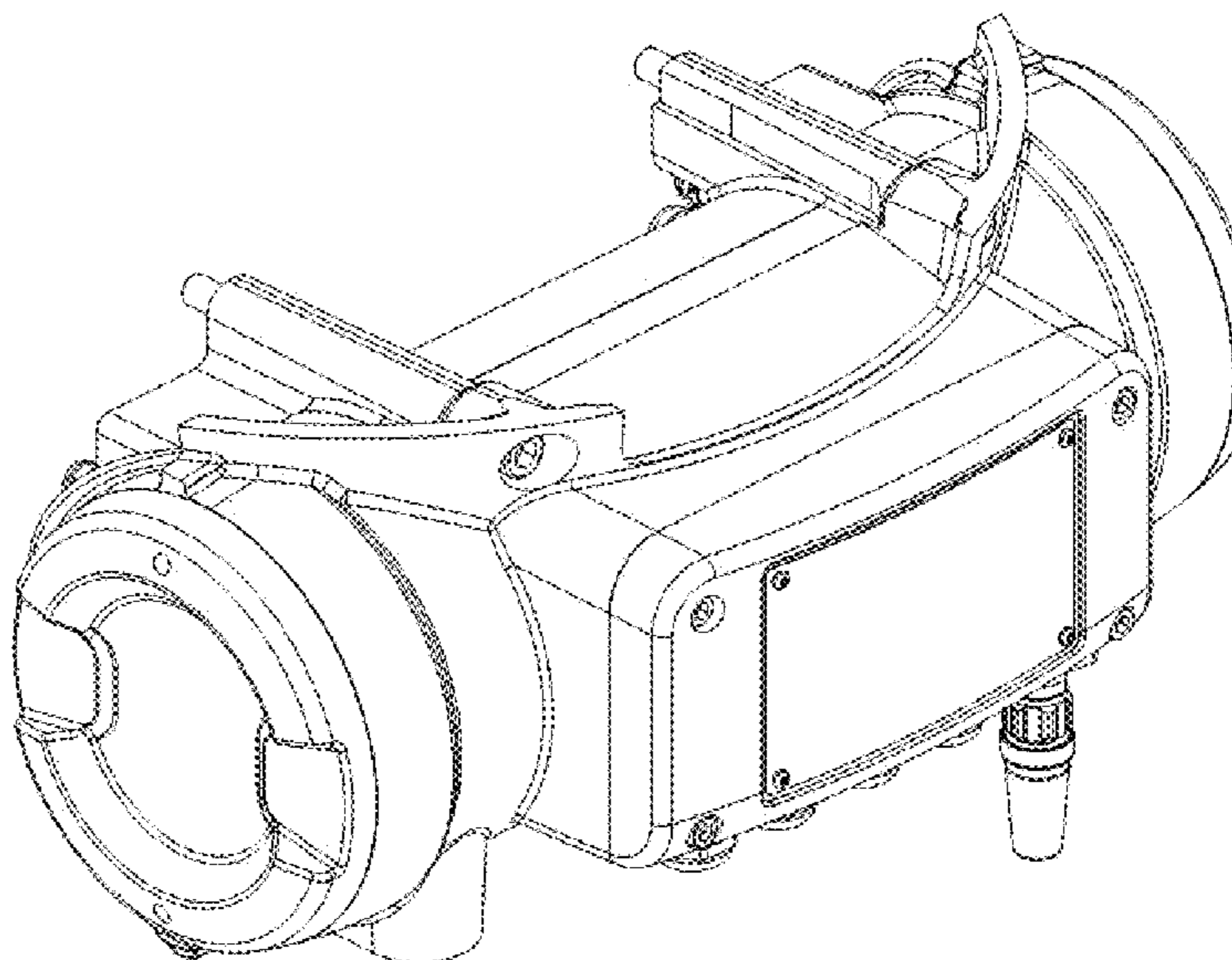
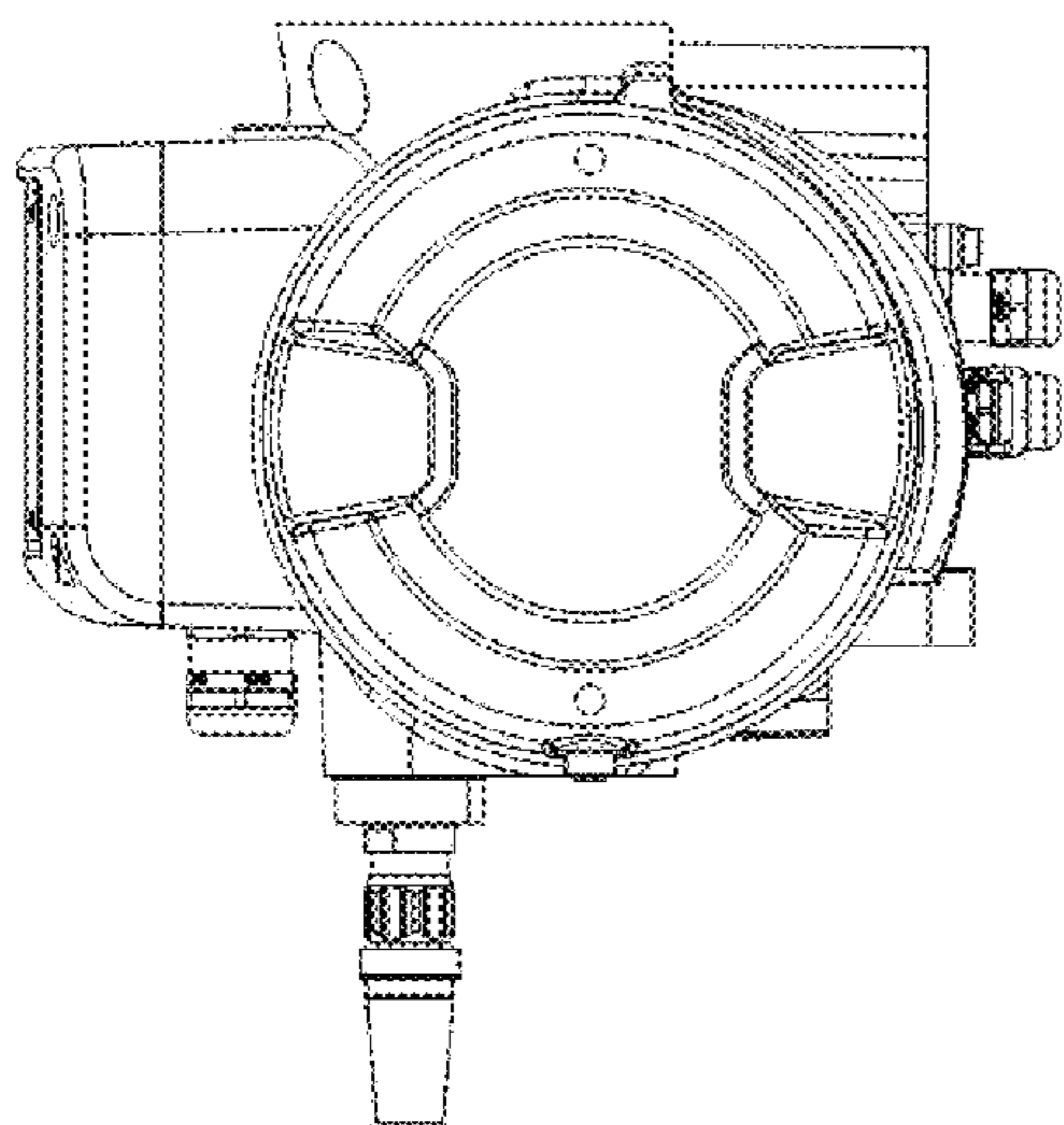
The ornamental design for a control unit for a control valve,
as shown and described.

DESCRIPTION

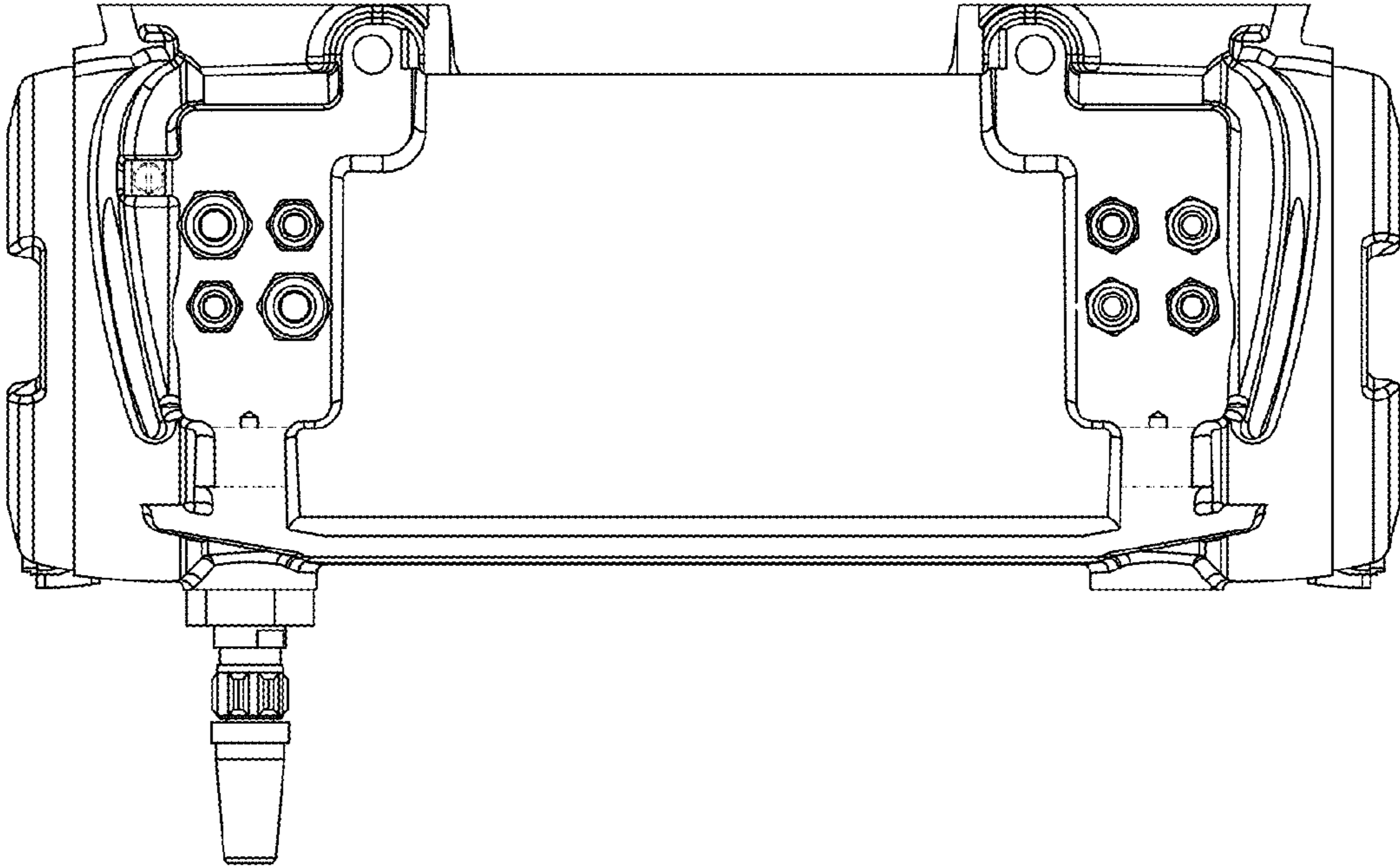
- 1. Control unit for a control valve
- 1.1 : Back
- 1.2 : Front
- 1.3 : Left
- 1.4 : Right
- 1.5 : Top
- 1.6 : Bottom
- 1.7 : Perspective

The broken lines shown are included for the purpose of
illustrating portions of the control unit for a control valve
that form no part of the claim.

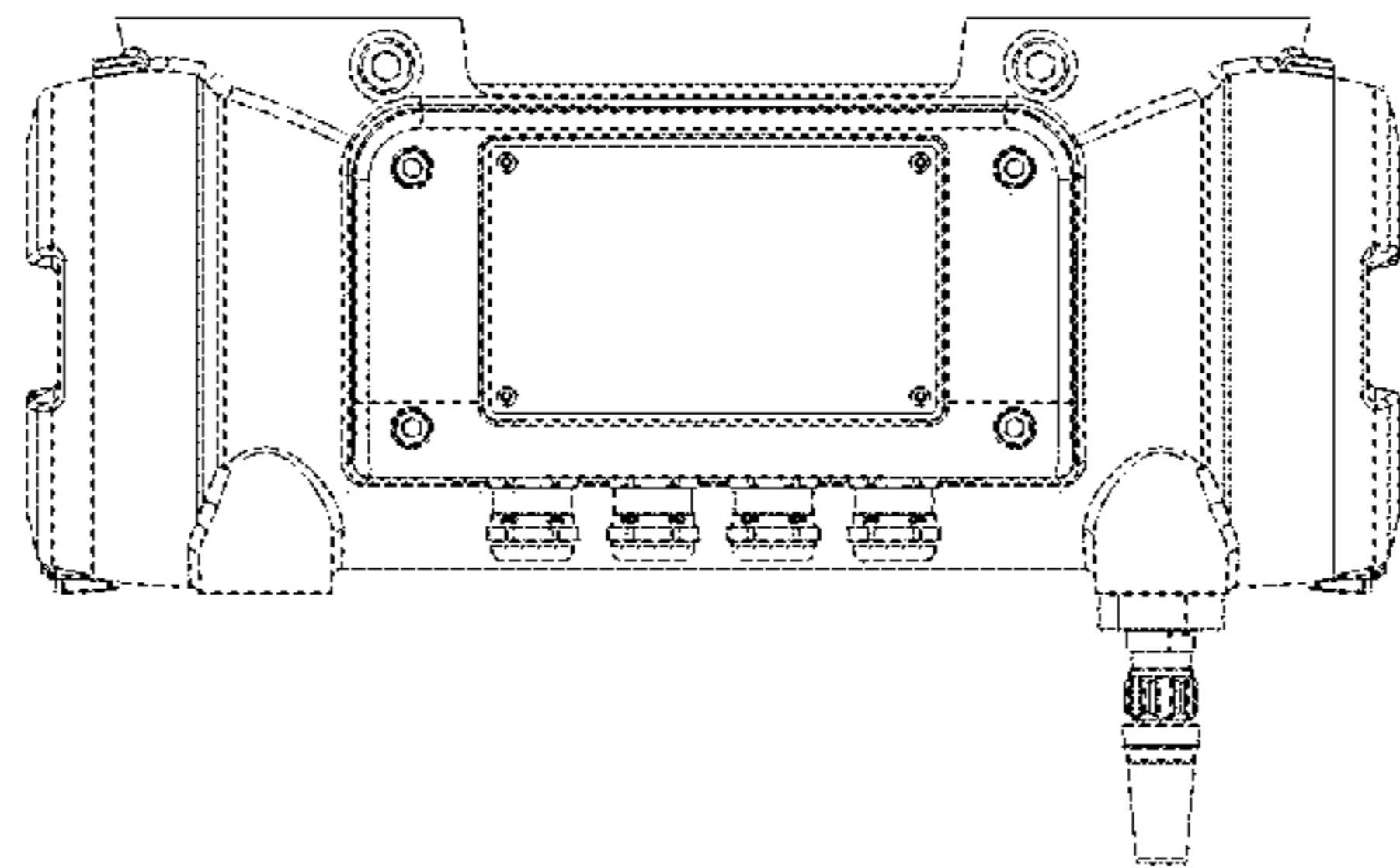
1 Claim, 7 Drawing Sheets



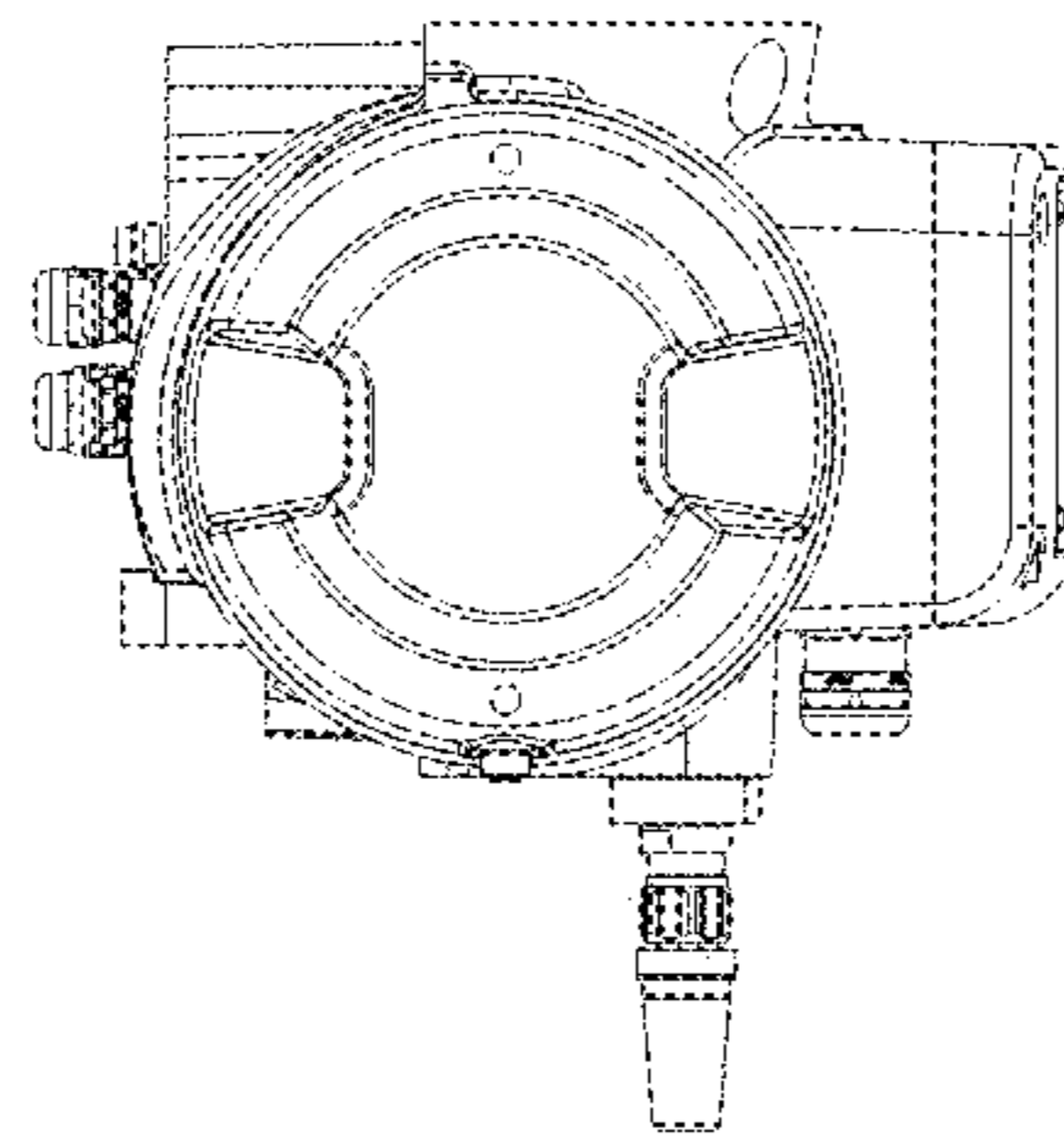
1.1



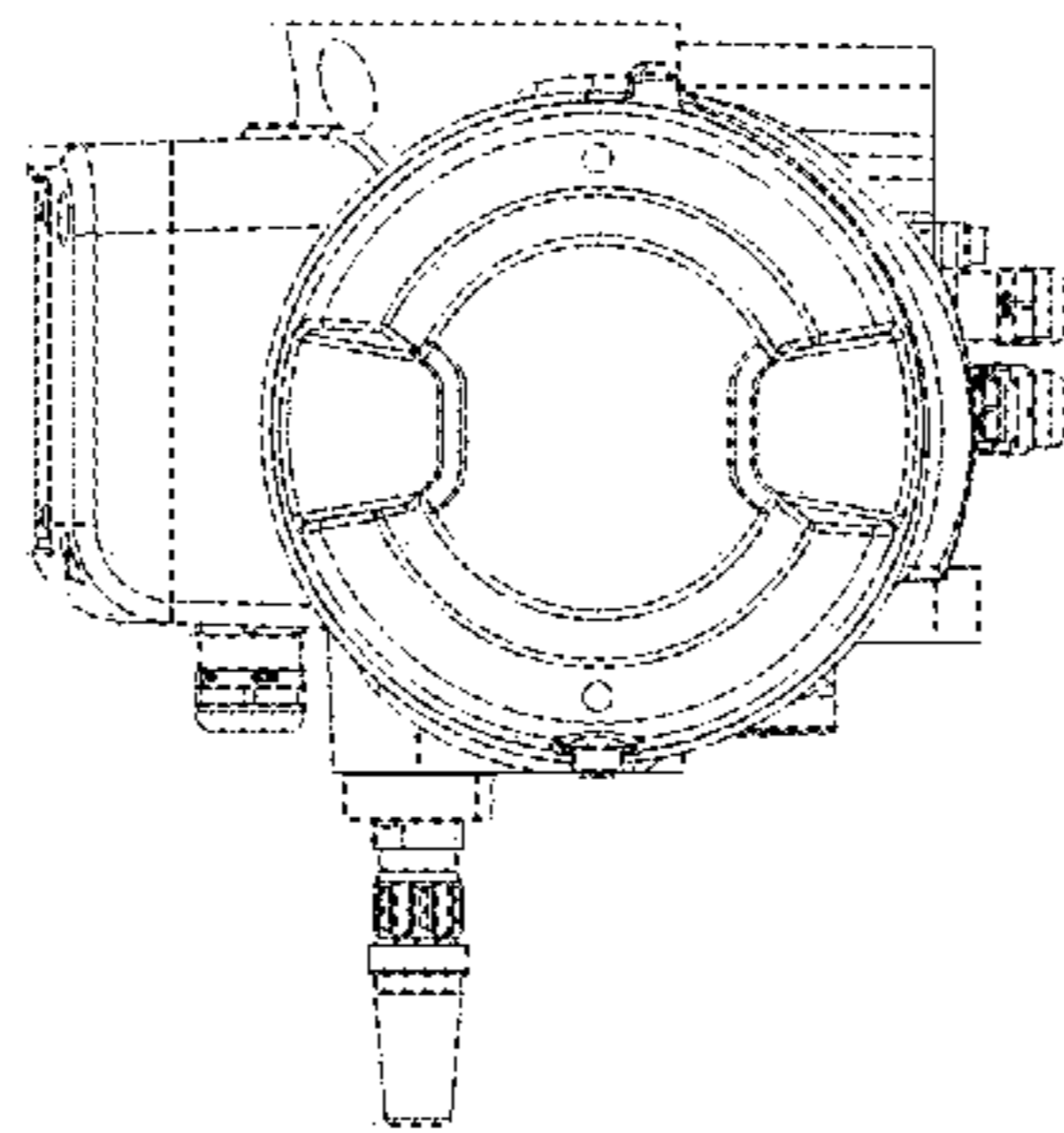
1.2



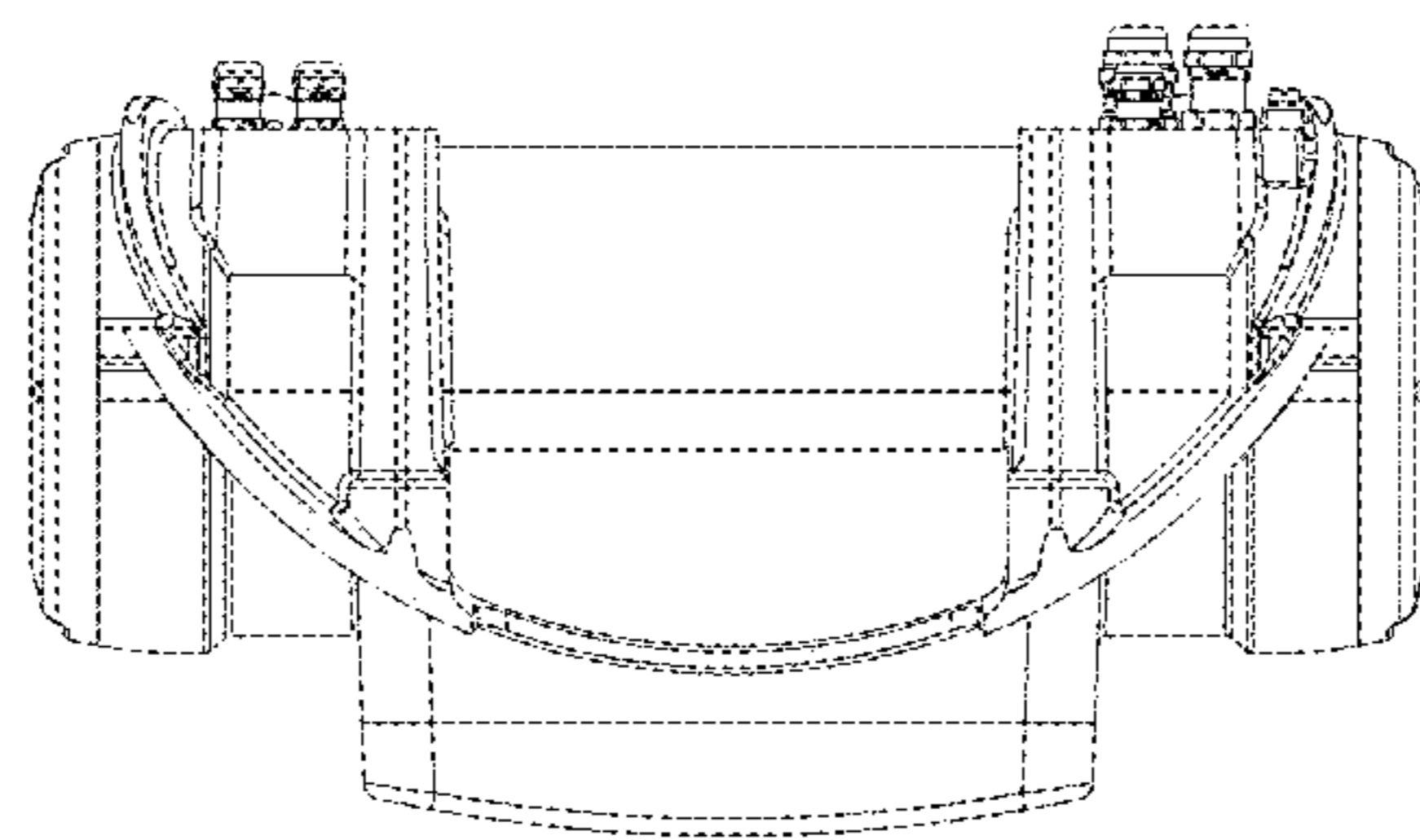
1.3



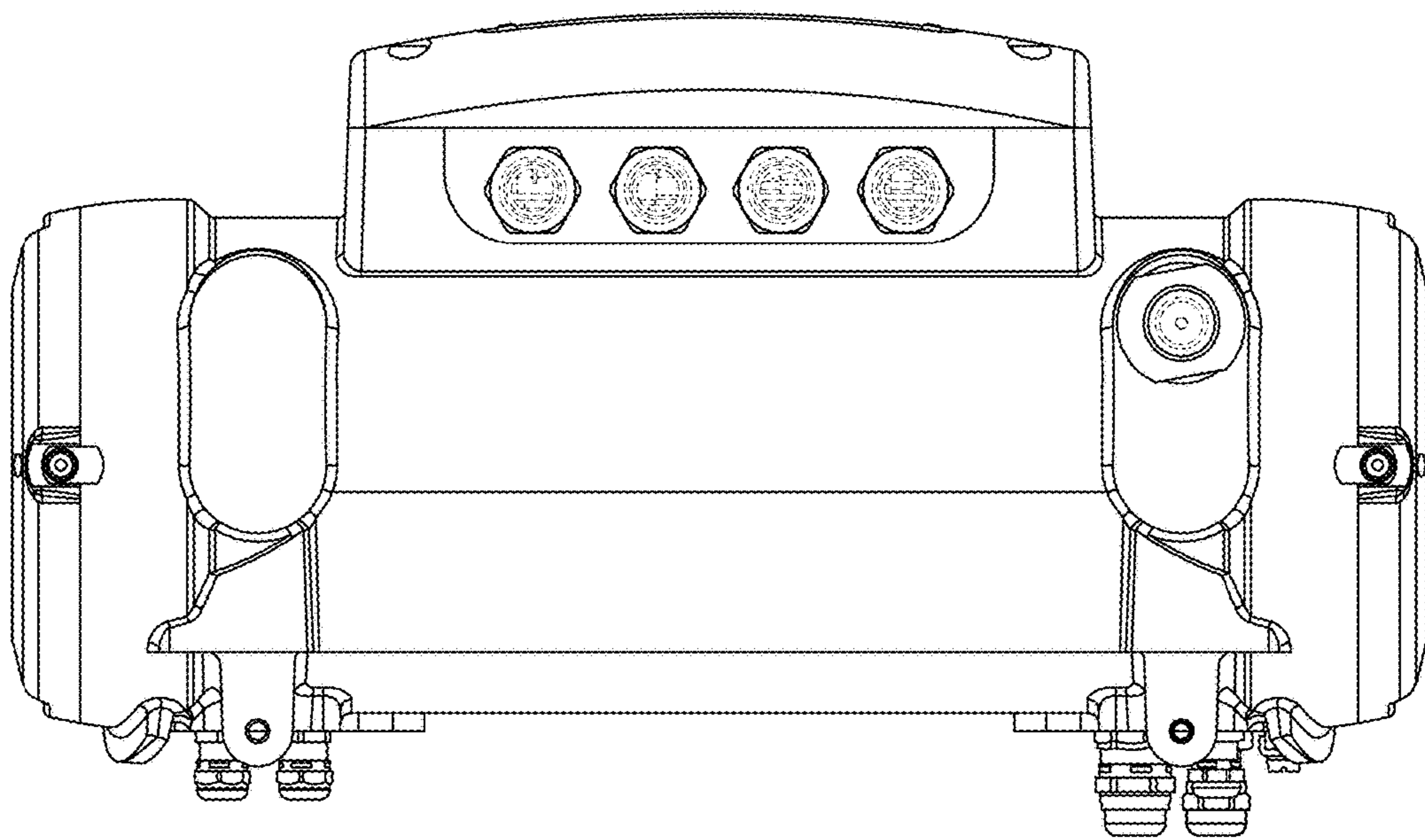
1.4



1.5



1.6



1.7

