



US00D978691S

(12) **United States Design Patent**
Nothacker et al.

(10) **Patent No.:** **US D978,691 S**
(45) **Date of Patent:** **** Feb. 21, 2023**

(54) **BIOMONITORING WRISTBAND**

- (71) Applicant: **KHN Solutions, Inc.**, San Francisco, CA (US)
- (72) Inventors: **Keith Harry Nothacker**, San Francisco, CA (US); **William Tammen**, San Francisco, CA (US); **Imraan Aziz**, San Francisco, CA (US); **Raymond Kampmeier**, San Francisco, CA (US)
- (73) Assignee: **KHN Solutions, Inc.**, San Francisco, CA (US)
- (**) Term: **15 Years**
- (21) Appl. No.: **29/777,407**
- (22) Filed: **Apr. 6, 2021**

Related U.S. Application Data

- (63) Continuation of application No. 29/688,160, filed on Apr. 18, 2019, now Pat. No. Des. 918,071.
- (51) **LOC (14) Cl.** **10-04**
- (52) **U.S. Cl.**
USPC **D10/70**; D24/167; D24/186
- (58) **Field of Classification Search**
USPC D10/30-39, 70, 78, 97, 98; D11/3; D14/138 R, 203.5, 203.6, 203.7, 341, D14/344; D24/167, 186
CPC A44C 5/0007; A44C 5/0023; G04B 37/00; G04B 47/06; G04B 47/068; G04B 37/12; G01C 17/00; G01C 21/265; G01C 22/006; G01C 22/02; G01C 22/025; G01C 23/00; G01P 1/02; A63B 24/0062; A63B 2220/80; A63B 2225/0002; A63B 2230/00; A61B 5/332; A61B 5/6801; A61B 5/4872; A61B 5/6831; A61B 5/4869; A61B 5/1075; A61B 5/107; A61B 5/6898; A61B 5/02438; G04G 9/007; G04G 17/08; G04G 21/02; G04G 21/025; G06F 1/163

See application file for complete search history.

(56) **References Cited**

U.S. PATENT DOCUMENTS

D706,159	S	*	6/2014	Ma	D11/3
D715,675	S	*	10/2014	Ma	D11/3
D735,068	S	*	7/2015	Garcia Pla	D11/3
D901,317	S	*	11/2020	Nothacker	D10/70
D918,071	S	*	5/2021	Nothacker	D10/70
D956,588	S	*	7/2022	Nothacker	D10/70
11,382,523	B2	*	7/2022	Sawanoi	A61B 5/0225

* cited by examiner

Primary Examiner — Antoine Duval Davis

(74) *Attorney, Agent, or Firm* — Jeffrey Schox; Caitlin Ploch

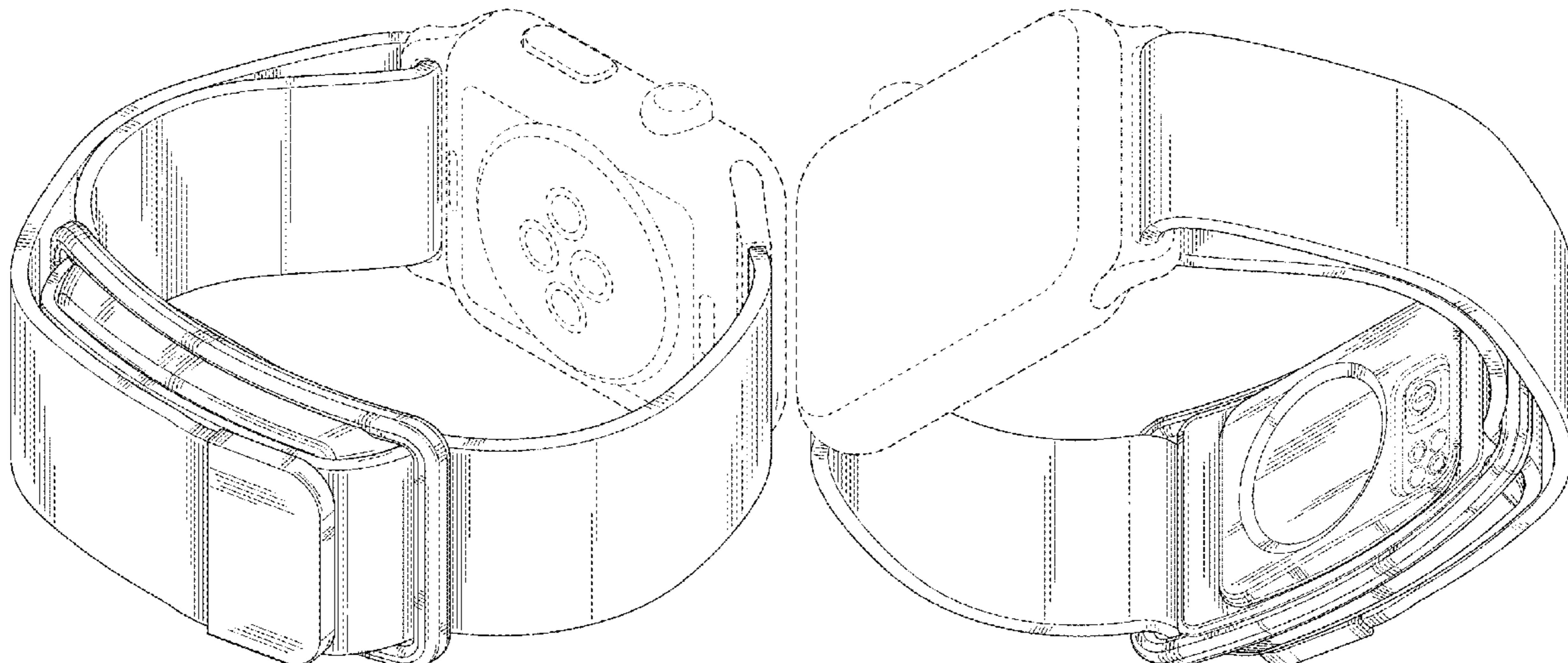
(57) **CLAIM**

We claim the ornamental design for a biomonitoring wristband, as shown and described.

DESCRIPTION

FIG. 1 is an isometric view from the front, bottom, right of the biomonitoring wristband.
 FIG. 2 is an isometric view from the back, top, left of the biomonitoring wristband.
 FIG. 3 is an elevation view from the front of the biomonitoring wristband.
 FIG. 4 is an elevation view from the back of the biomonitoring wristband.
 FIG. 5 is an elevation view from the right of the biomonitoring wristband.
 FIG. 6 is an elevation view from the left of the biomonitoring wristband.
 FIG. 7 is a plan view from the top of the biomonitoring wristband; and,
 FIG. 8 is a plan view from the bottom of the biomonitoring wristband.
 The broken lines depict environment that forms no part of the claimed design.

1 Claim, 3 Drawing Sheets



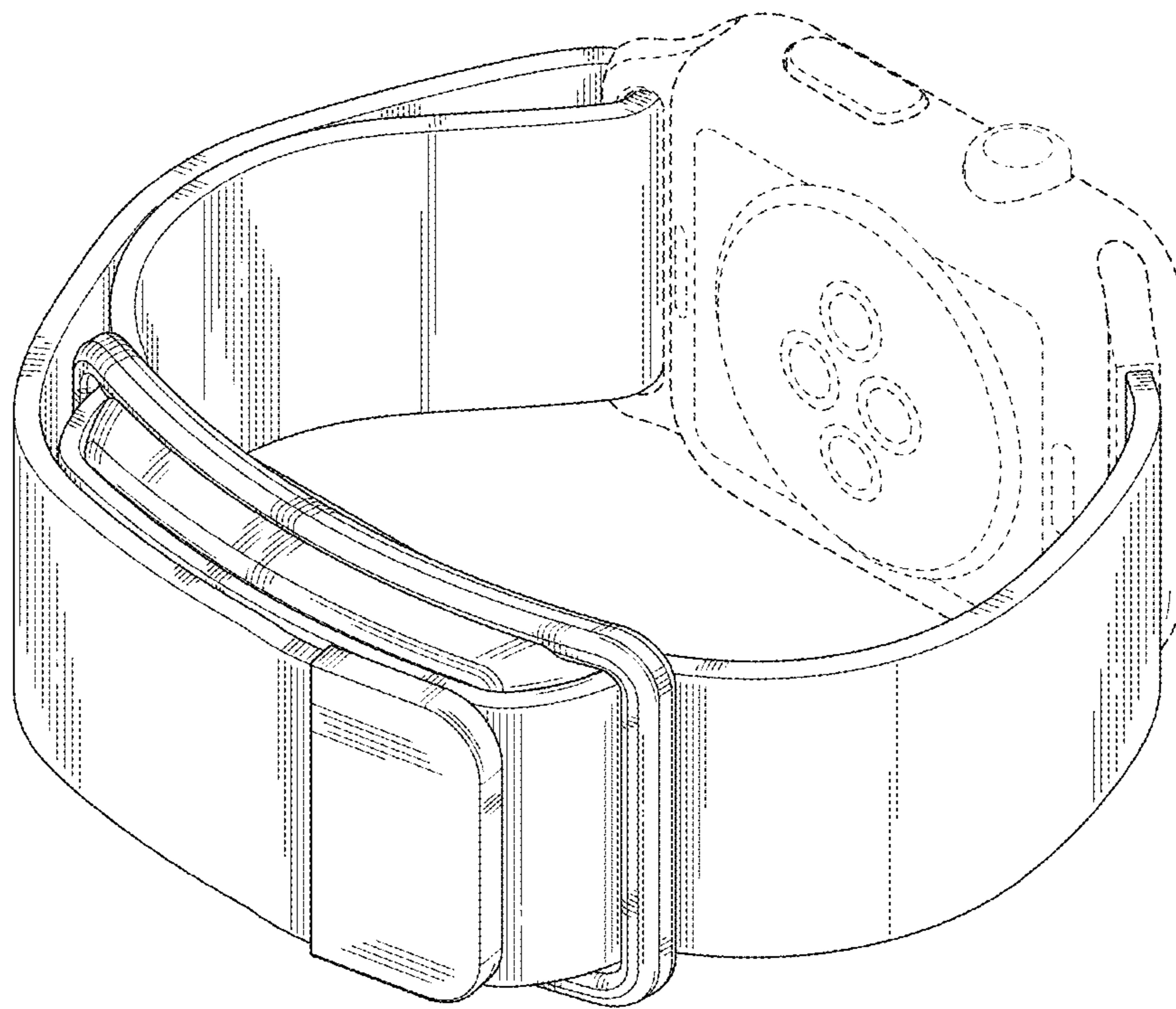


FIG. 1

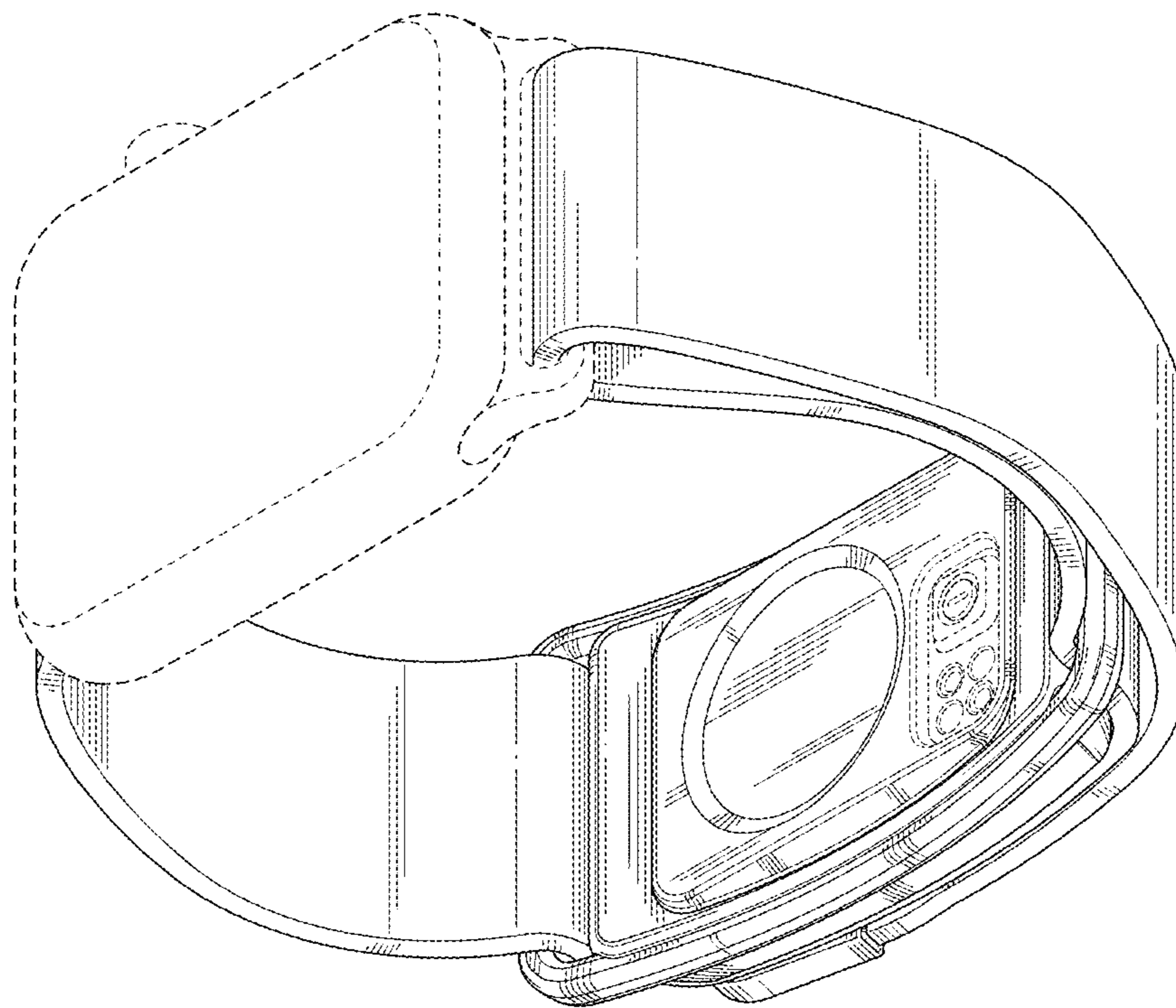


FIG. 2

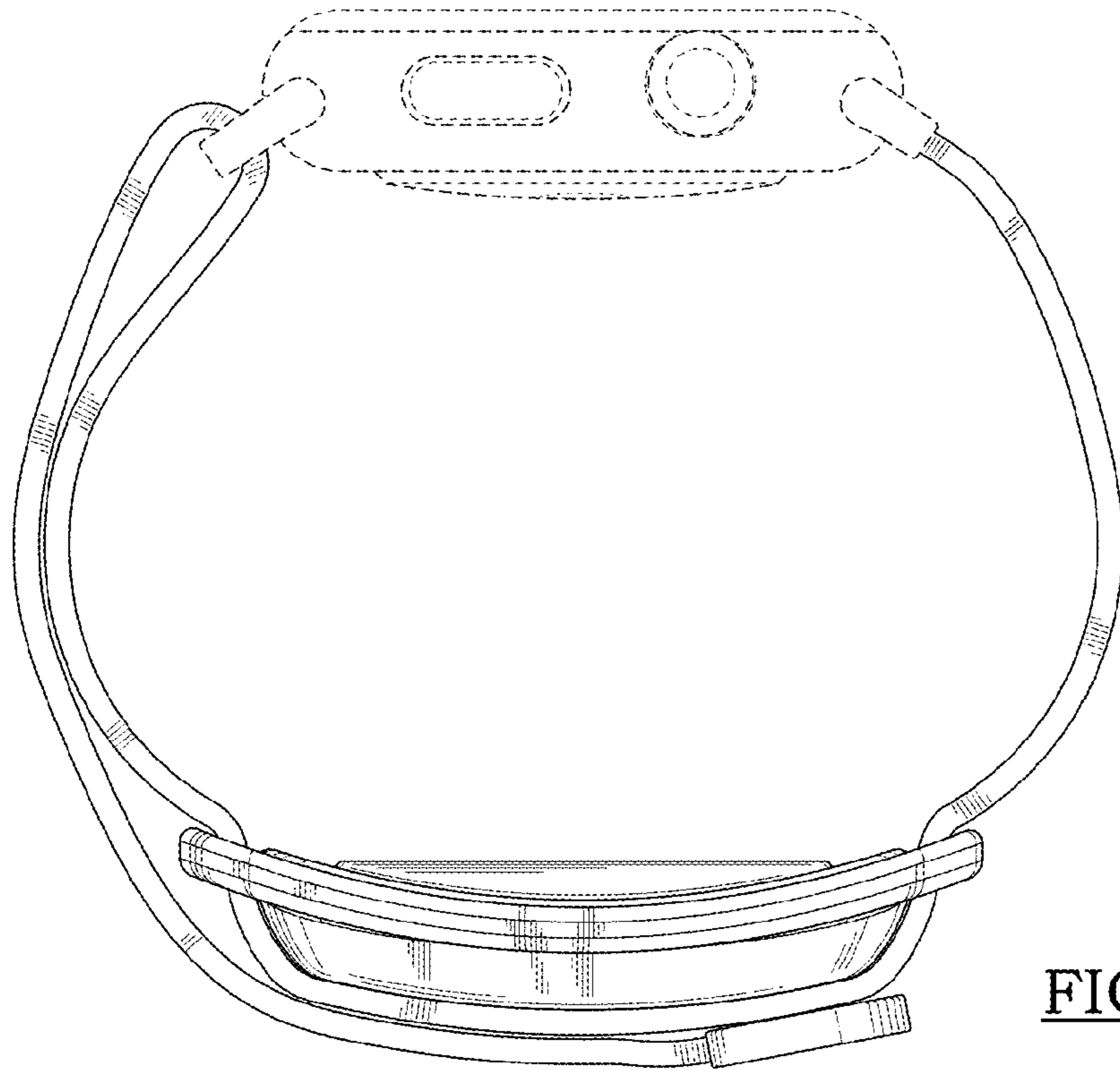


FIG. 3

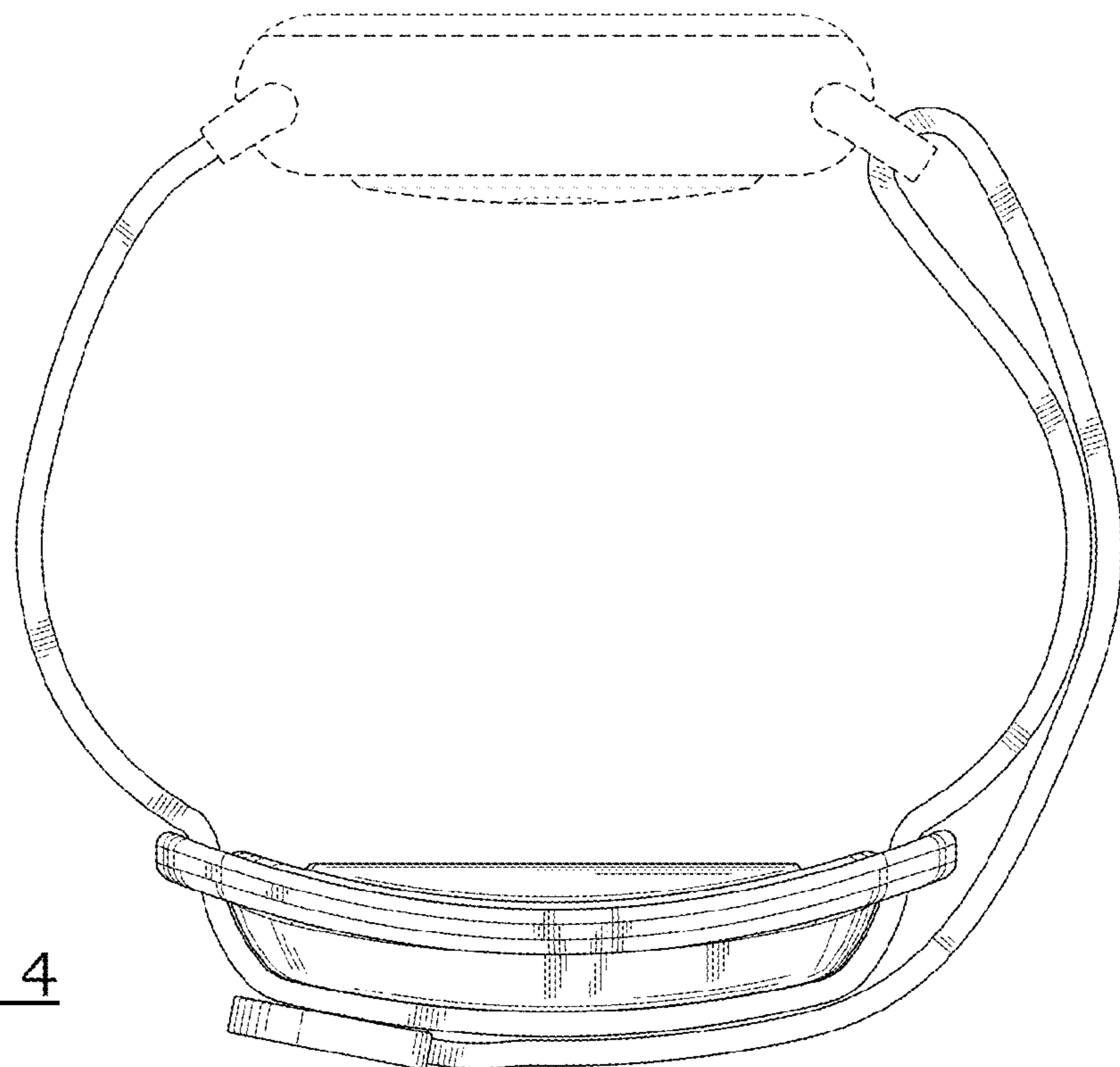


FIG. 4

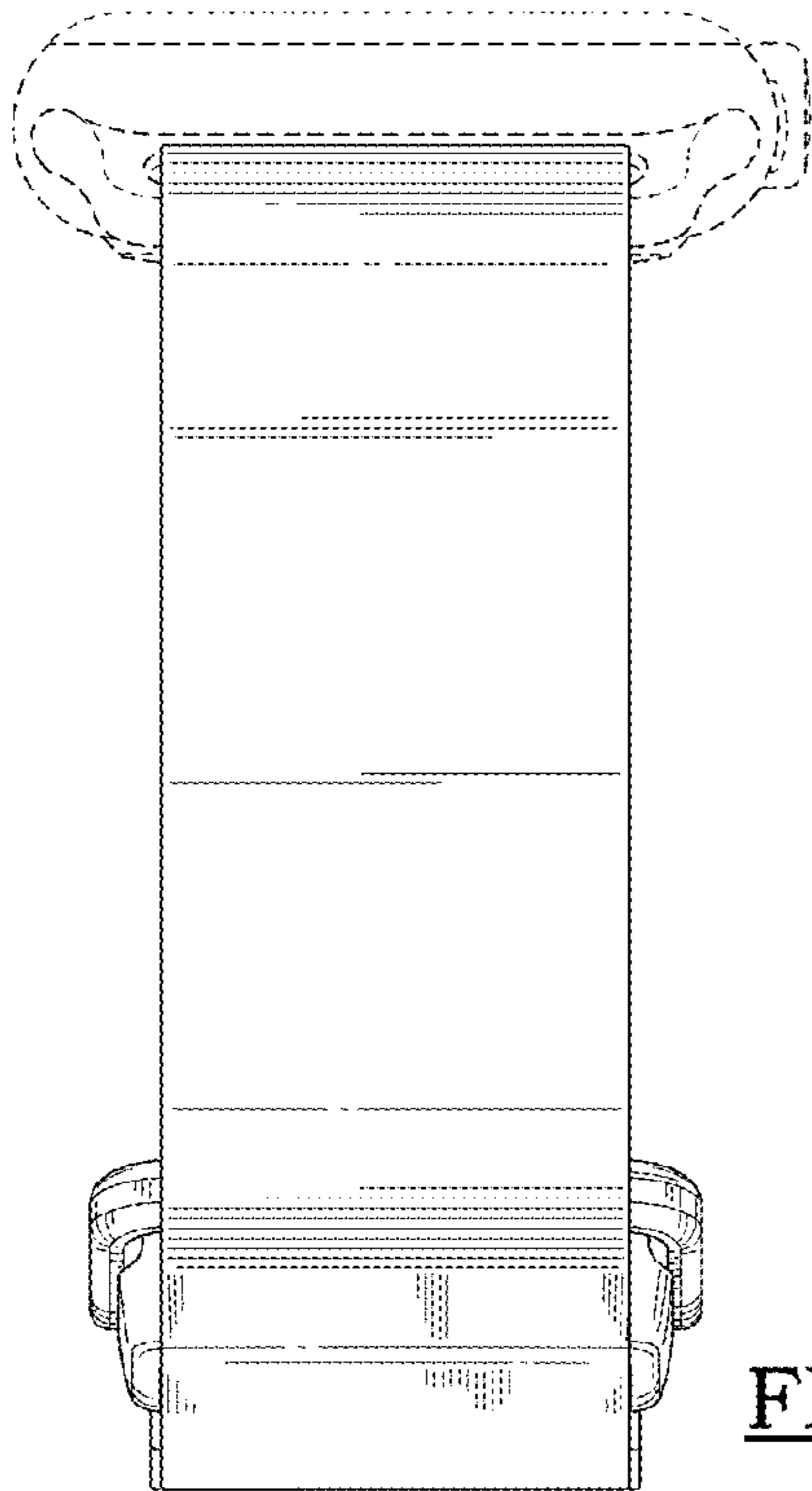


FIG. 5

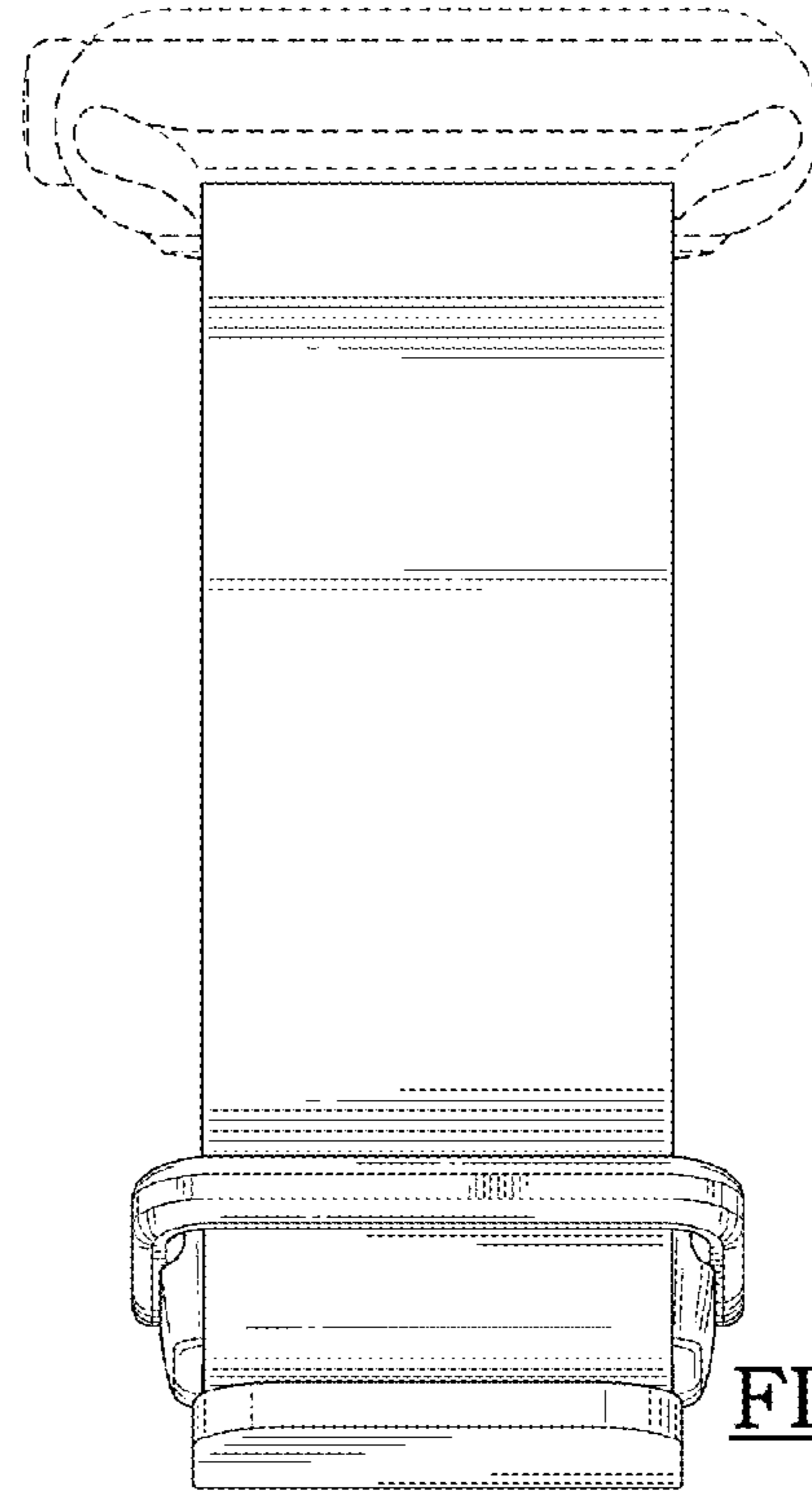


FIG. 6

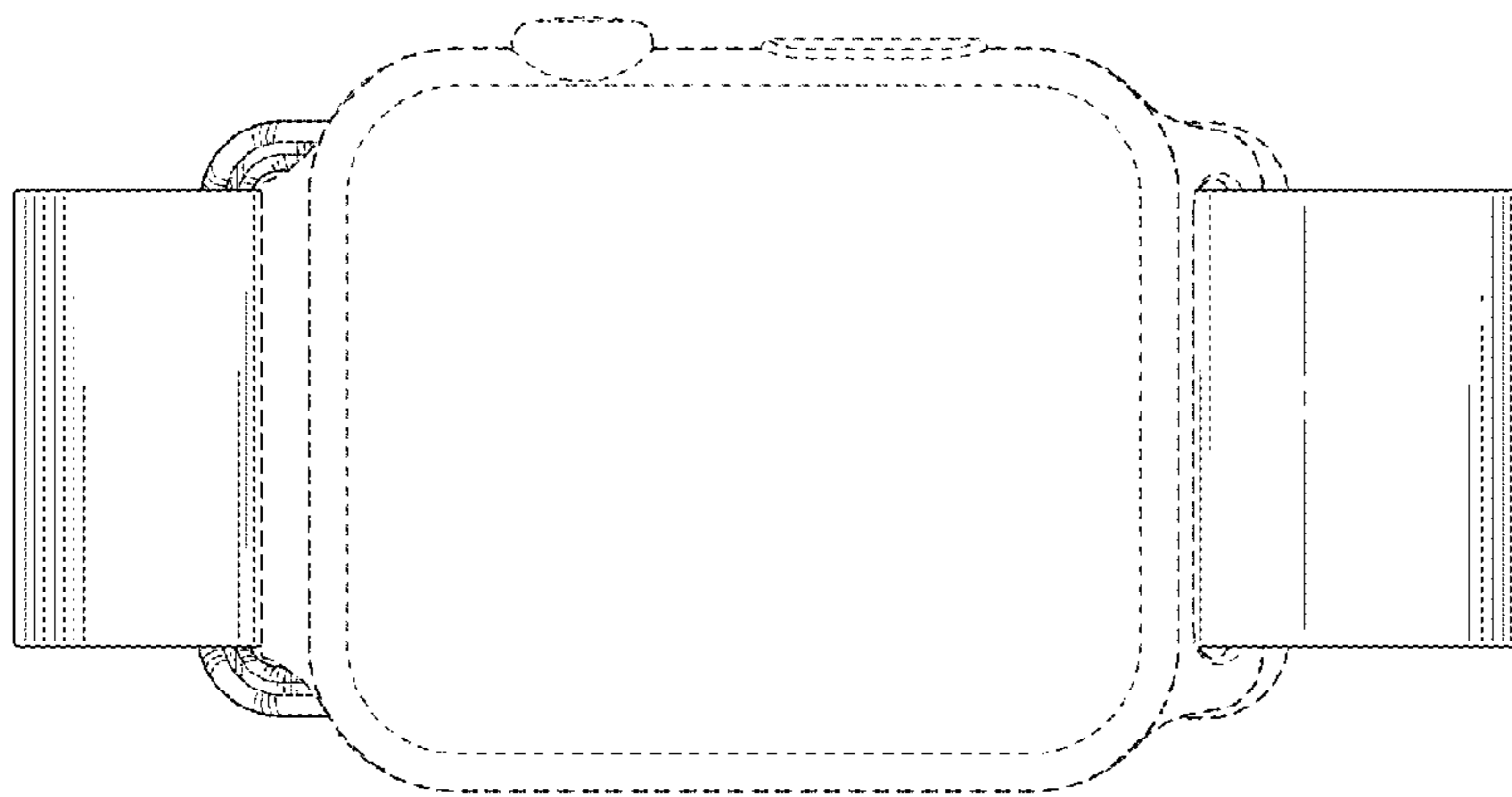


FIG. 7

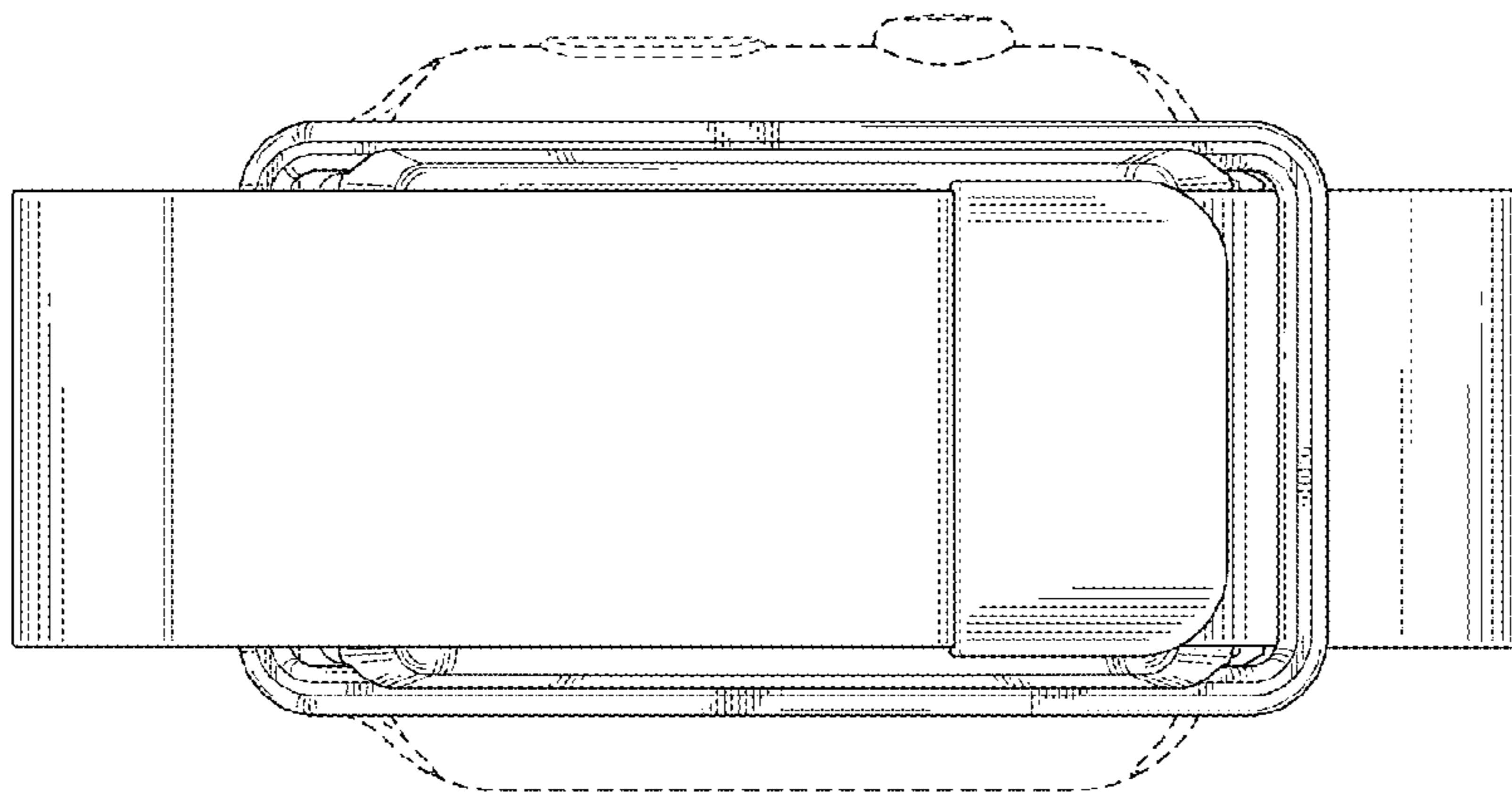


FIG. 8