



US00D978684S

(12) **United States Design Patent** (10) **Patent No.:** **US D978,684 S**
Tinguély (45) **Date of Patent:** **** Feb. 21, 2023**

(54) **WATCH**

FOREIGN PATENT DOCUMENTS

(71) Applicant: **RICHEMONT INTERNATIONAL SA**, Villars-sur-Glâne (CH)

CN 113376998 A * 9/2021 G04B 37/0008
EM 000786611 9/2007

(Continued)

(72) Inventor: **Marie Tinguély**, Morges (CH)

(73) Assignee: **Richemont International SA**, Villars-sur-Glâne (CH)

OTHER PUBLICATIONS

Watch Review Baume Mercier Riviera Automatic Chronograph | ablogtowatch.com; Nov. 18, 2021 [online]. © 2007-2022. aBlogtoWatch [retrieved Jul. 22, 2022] from Internet: <https://www.ablogtowatch.com/watch-review-baume-mercier-riviera-automatic-chronograph/> (Year: 2021).*

(Continued)

(**) Term: **15 Years**

(21) Appl. No.: **35/512,340**

(22) Filed: **Feb. 10, 2021**

(80) **Hague Agreement Data**

Int. Filing Date: **Feb. 10, 2021**

Int. Reg. No.: **DM/213019**

Int. Reg. Date: **Feb. 10, 2021**

Int. Reg. Pub. Date: **Aug. 13, 2021**

Primary Examiner — Katherine Glennon

(74) *Attorney, Agent, or Firm* — Fross Zelnick Lehrman & Zissu, P.C.; Charles T. J. Weigell, Esq.

(51) **LOC (14) Cl.** **10-02**

(52) **U.S. Cl.**
USPC **D10/39**

(57) **CLAIM**

The ornamental design for a watch, as shown and described.

(58) **Field of Classification Search**

USPC D10/30–39, 122–126, 128

CPC G04B 19/00; G04B 19/02; G04B 19/025; G04B 19/04; G04B 19/042; G04B 19/06; G04B 19/065; G04B 19/08; G04B 19/085; G04B 19/087; G04B 37/00; G04B 37/0058; G04B 37/1446; G04B 37/18; G04B 45/0046; G04B 45/0069; G04B 45/0076; G04B 39/00; G04B 39/002; G04B 39/0004; G04B 39/0006

See application file for complete search history.

DESCRIPTION

- 1.1 is a perspective view of a first embodiment of a watch showing my new design;
- 1.2 is a front view thereof;
- 1.3 is a back view thereof;
- 1.4 is a right side view thereof;
- 1.5 is a left side view thereof;
- 1.6 is a top view thereof;
- 1.7 is a bottom view thereof;
- 2.1 is a perspective view of a second embodiment of a watch showing my new design;
- 2.2 is a front view thereof;
- 2.3 is a back view thereof;
- 2.4 is a right side view thereof;
- 2.5 is a left side view thereof;
- 2.6 is a top view thereof; and
- 2.7 is a bottom view thereof.

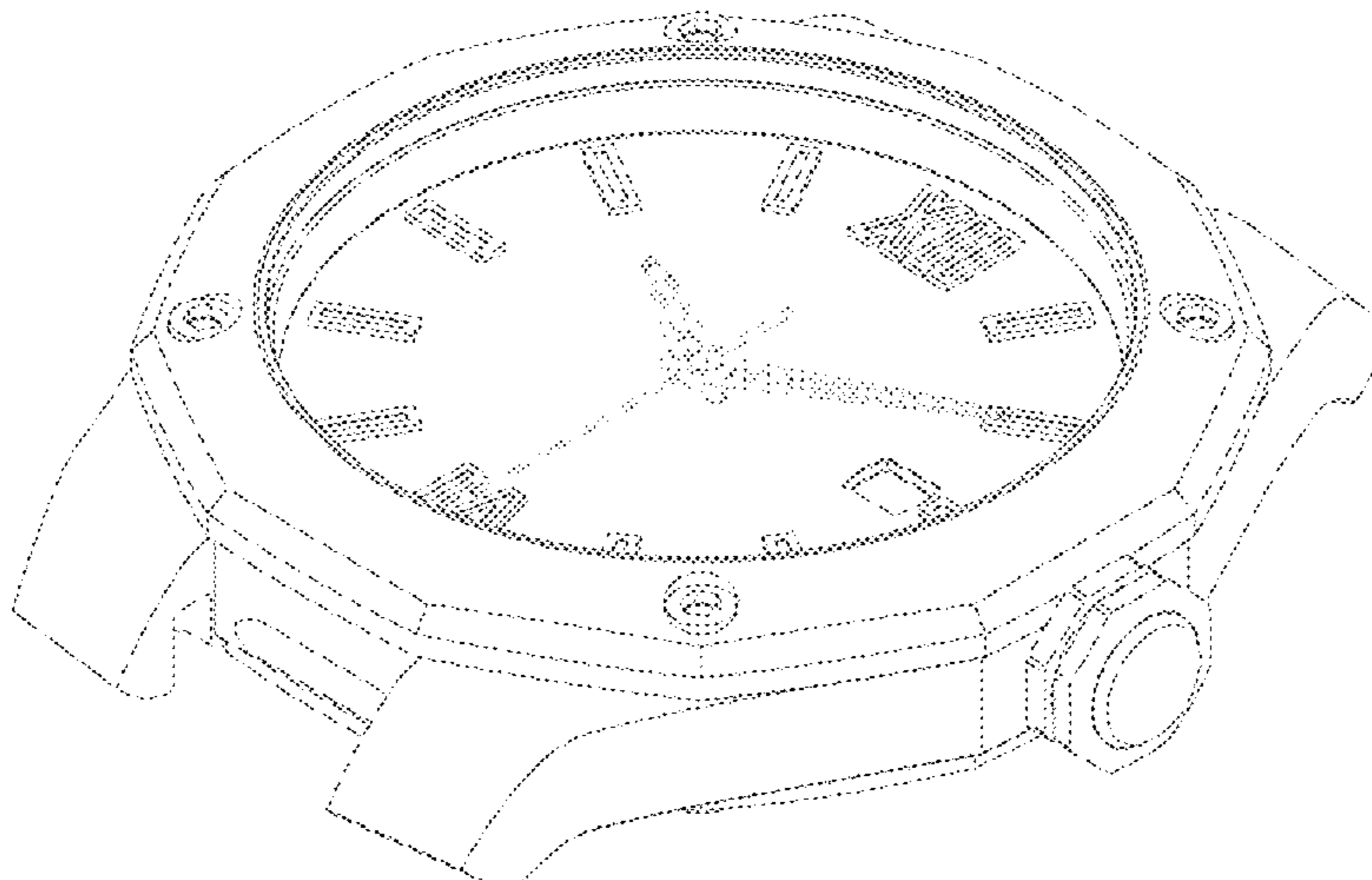
(56) **References Cited**

U.S. PATENT DOCUMENTS

3,756,017 A * 9/1973 Genta G04B 37/0008
368/291
D301,693 S * 6/1989 Canta D10/126
D302,797 S * 8/1989 Glauser D10/38

(Continued)

1 Claim, 14 Drawing Sheets



(56)

References Cited

U.S. PATENT DOCUMENTS

D360,142 S * 7/1995 Polenberg D10/30
 D365,286 S * 12/1995 Florian D10/32
 D415,696 S 10/1999 Bodino
 D479,137 S * 9/2003 Kauffmann D10/39
 D484,062 S * 12/2003 Kauffmann D10/39
 D545,910 S * 7/2007 Peraldi D10/32
 D552,491 S * 10/2007 Vidal D10/38
 D565,971 S * 4/2008 Peraldi D10/39
 D577,613 S 9/2008 Rochat
 D578,023 S 10/2008 Rochat
 D586,250 S 2/2009 Rochat
 D759,509 S * 6/2016 Belamich D10/126
 D759,511 S * 6/2016 Belamich D10/126
 D763,113 S * 8/2016 Schröder D10/126
 D770,320 S * 11/2016 Gueit D10/126
 D797,577 S * 9/2017 Kauffmann D10/30
 D798,182 S * 9/2017 Blootacker D10/126
 D799,989 S * 10/2017 Ohba D10/38
 D813,691 S * 3/2018 Plange D10/38
 D824,793 S * 8/2018 Kociszewski D10/126
 D832,720 S * 11/2018 Macaluso D10/39
 D833,316 S * 11/2018 Zieta D10/129
 D834,980 S 12/2018 Le Bot
 D840,844 S 2/2019 Le Bot
 D848,863 S 5/2019 Le Bot
 D856,824 S * 8/2019 Berneron D10/39
 D858,313 S * 9/2019 Berneron D10/30
 D858,339 S * 9/2019 Tinguely D10/126
 D866,353 S 11/2019 Tinguely
 D869,962 S * 12/2019 Gurtner D10/39
 D874,947 S * 2/2020 Berneron D10/39
 D880,332 S 4/2020 Charrier
 D880,336 S * 4/2020 Behling D10/126
 D881,724 S 4/2020 Charrier
 D887,303 S * 6/2020 Kamilindi D10/126

D887,864 S * 6/2020 Perrenoud D10/39
 D904,917 S * 12/2020 Blootacker D10/126
 D912,559 S * 3/2021 Tak D10/126
 D935,331 S * 11/2021 Calamai D10/39
 D947,684 S * 4/2022 Bolthausen D10/39

FOREIGN PATENT DOCUMENTS

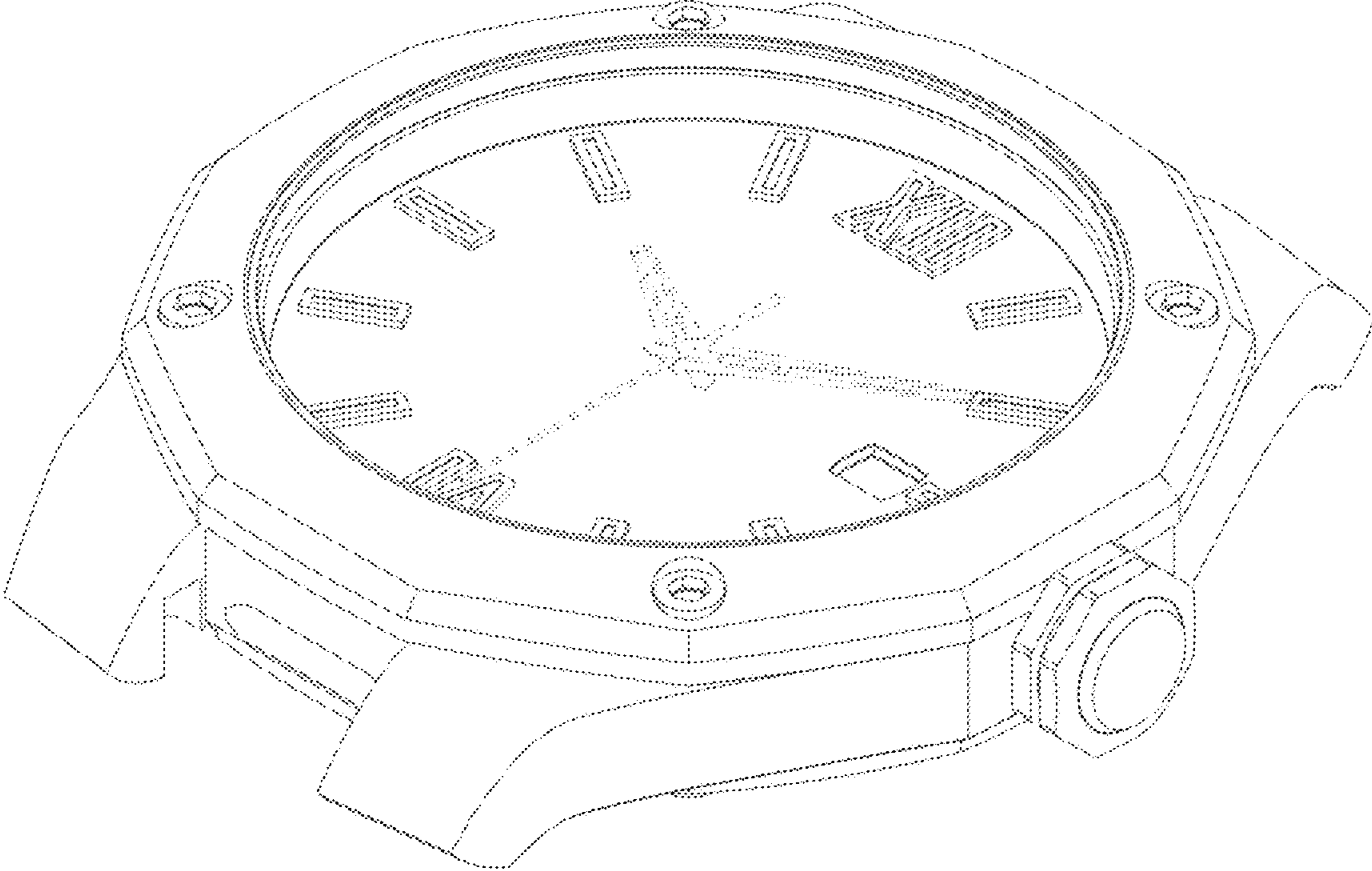
GB 80765970001000 8/2011
 GB 80765970002000 8/2011
 GB 80765970003000 8/2011
 GB 80987860009000 11/2017
 GB 82016550008000 12/2018
 IR DM/007546 10/1985
 IR DM/021266 4/1991
 IR DM/065285 4/2004
 IR DM/065397 12/2004
 IR DM/068759 3/2007
 IR DM/069372 9/2007
 IR DM/069761 11/2008
 IR DM/074602 10/2010
 IR DM/076597 8/2011
 IR DM/095134 3/2017
 IR DM096387 6/2017
 IR DM098710 11/2017
 IR DM/201654 12/2018
 IR DM/201655 12/2018
 JP 2017129496 A * 7/2017 G04B 37/00

OTHER PUBLICATIONS

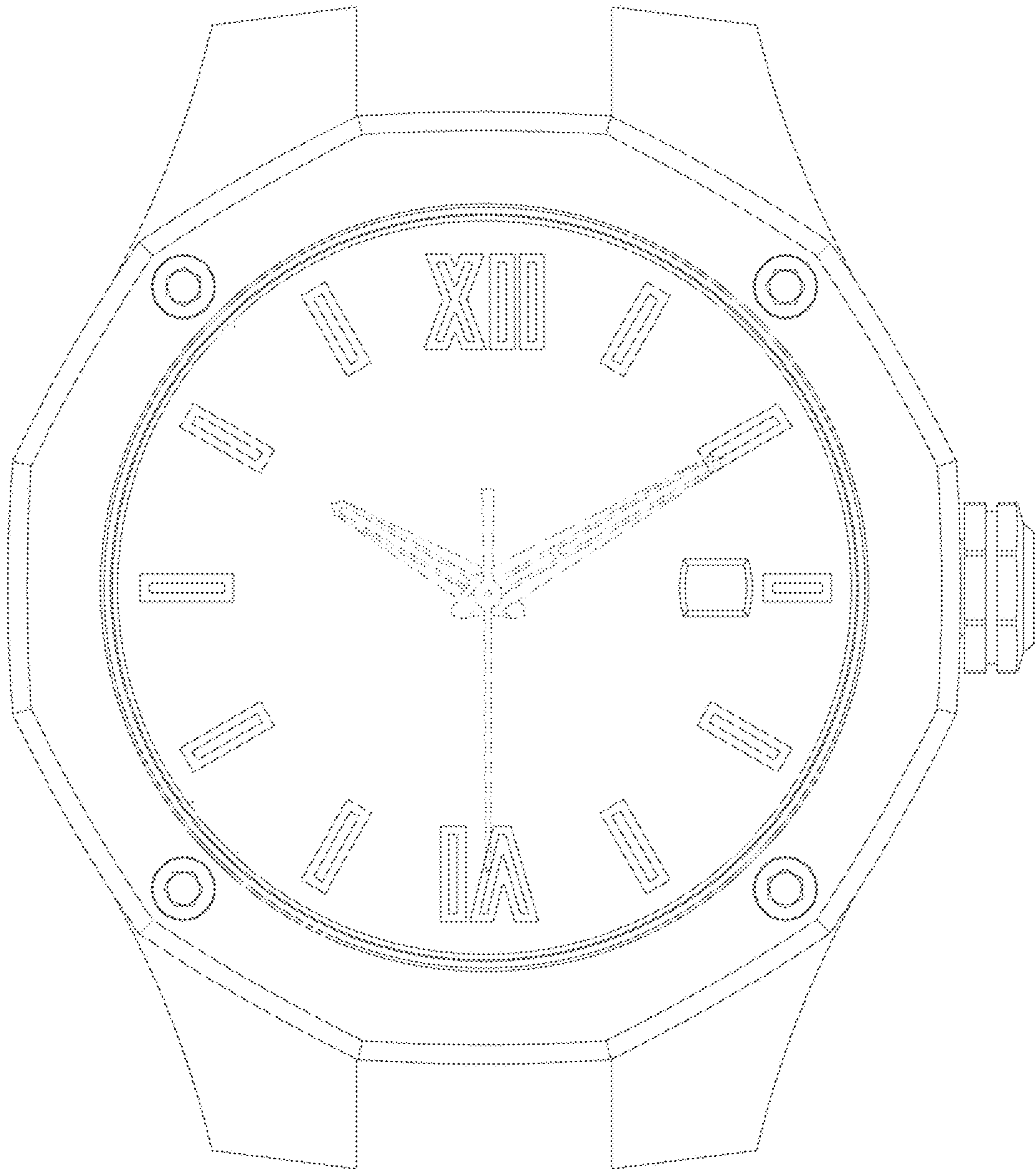
Baume Mercier REvives Riviera Watch Series | ablogtoWatch.com;
 Apr. 15, 2021 [online]. © 2007-2022. aBlogtoWatch [retrieved Jul.
 22, 2022] from Internet: <<https://www.ablogtoWatch.com/baume-mercier-revives-riviera-watch-series/>> (Year: 2021).*

* cited by examiner

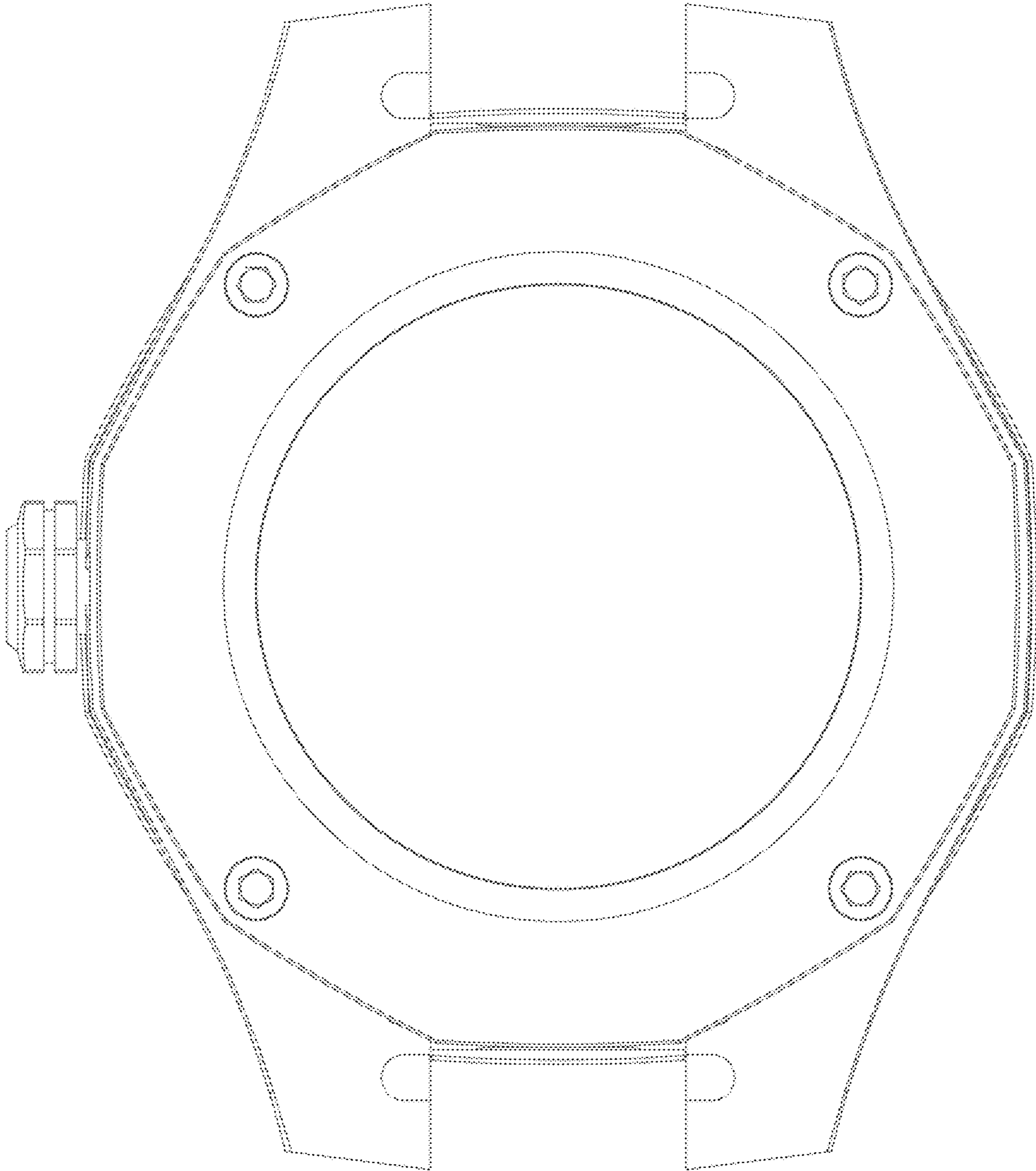
1.1



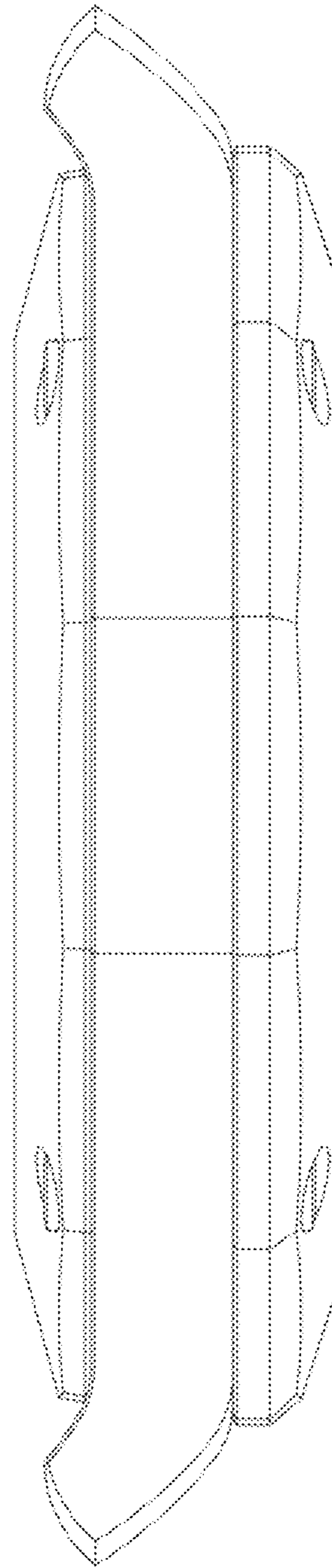
1.2



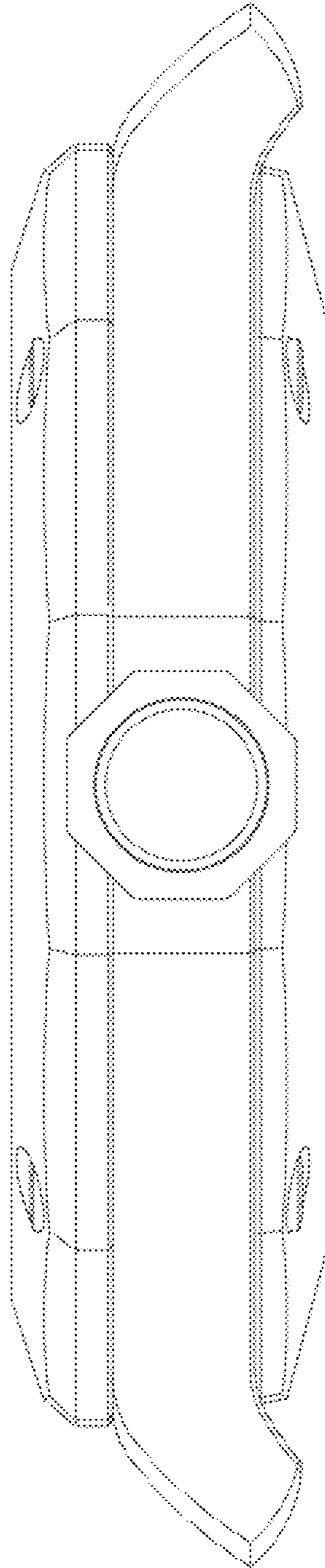
1.3



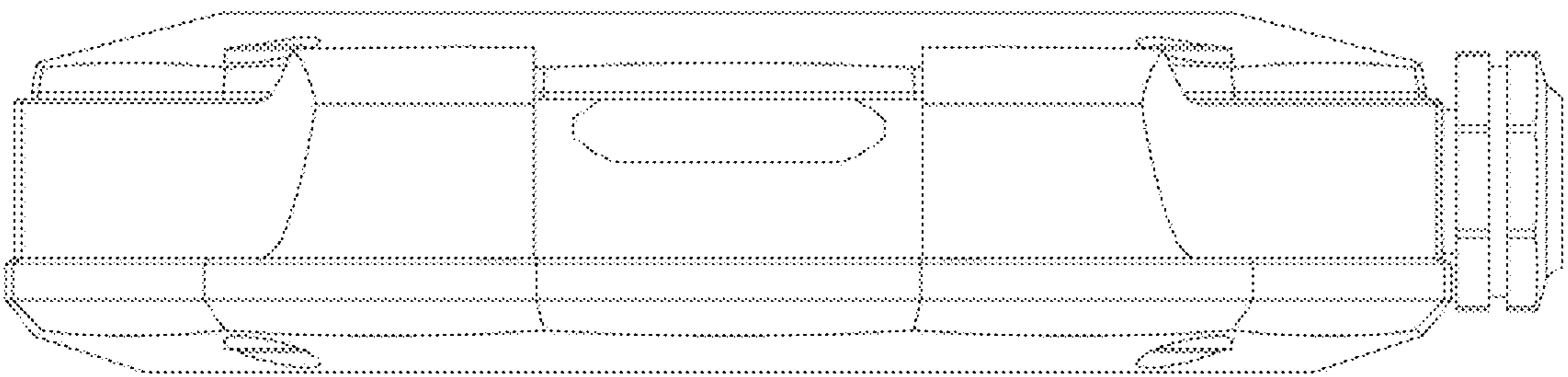
1.4



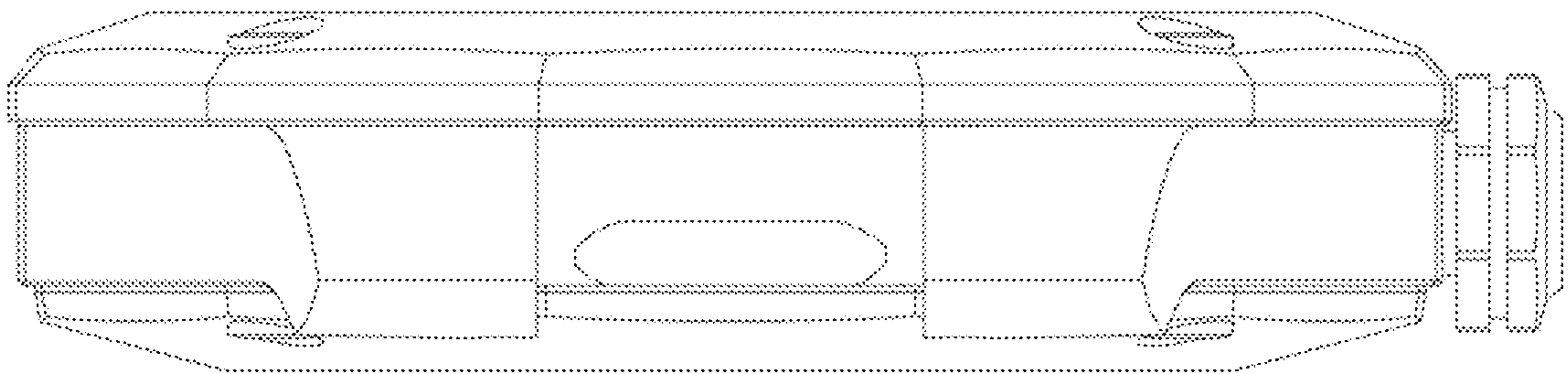
1.5



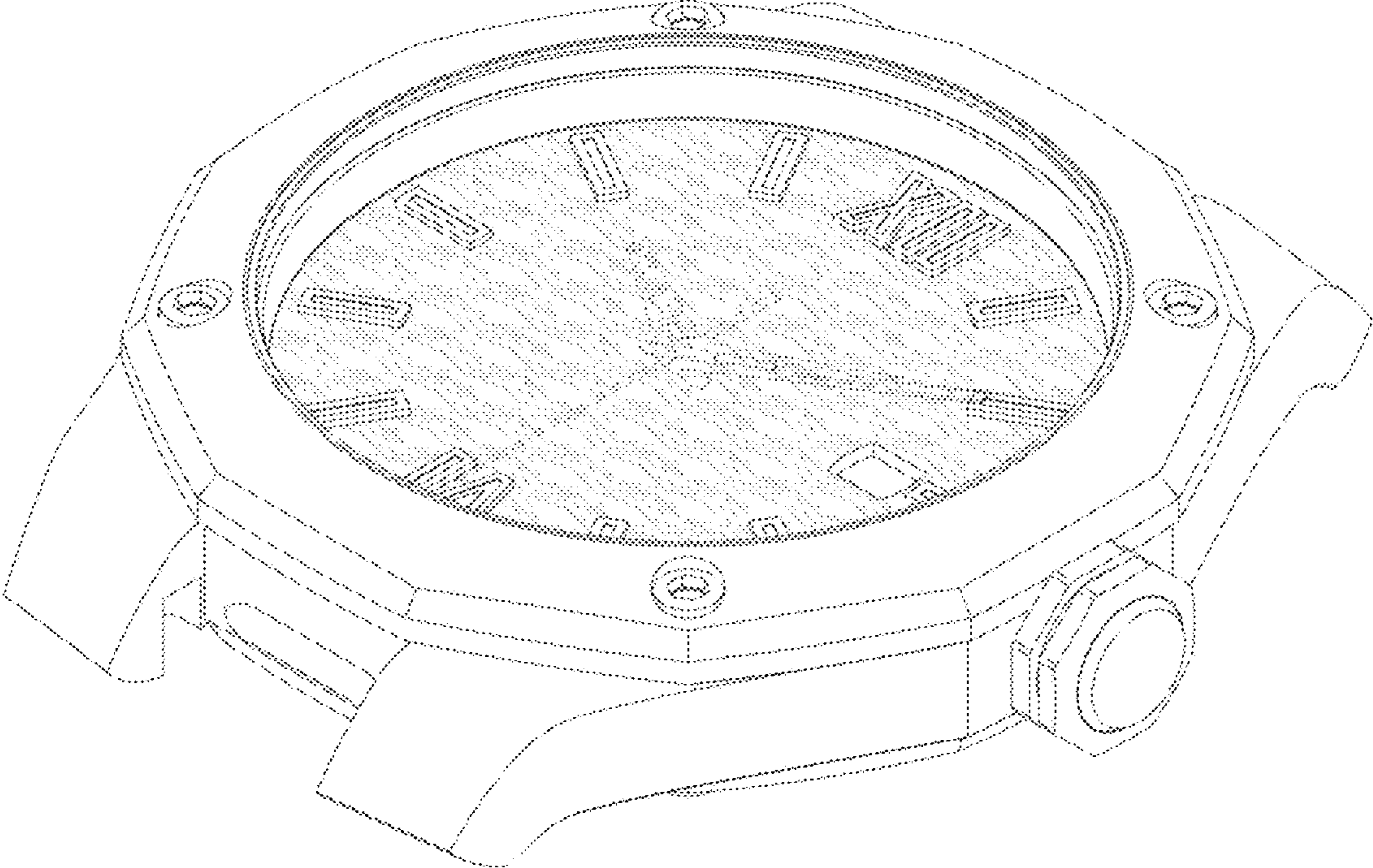
1.6



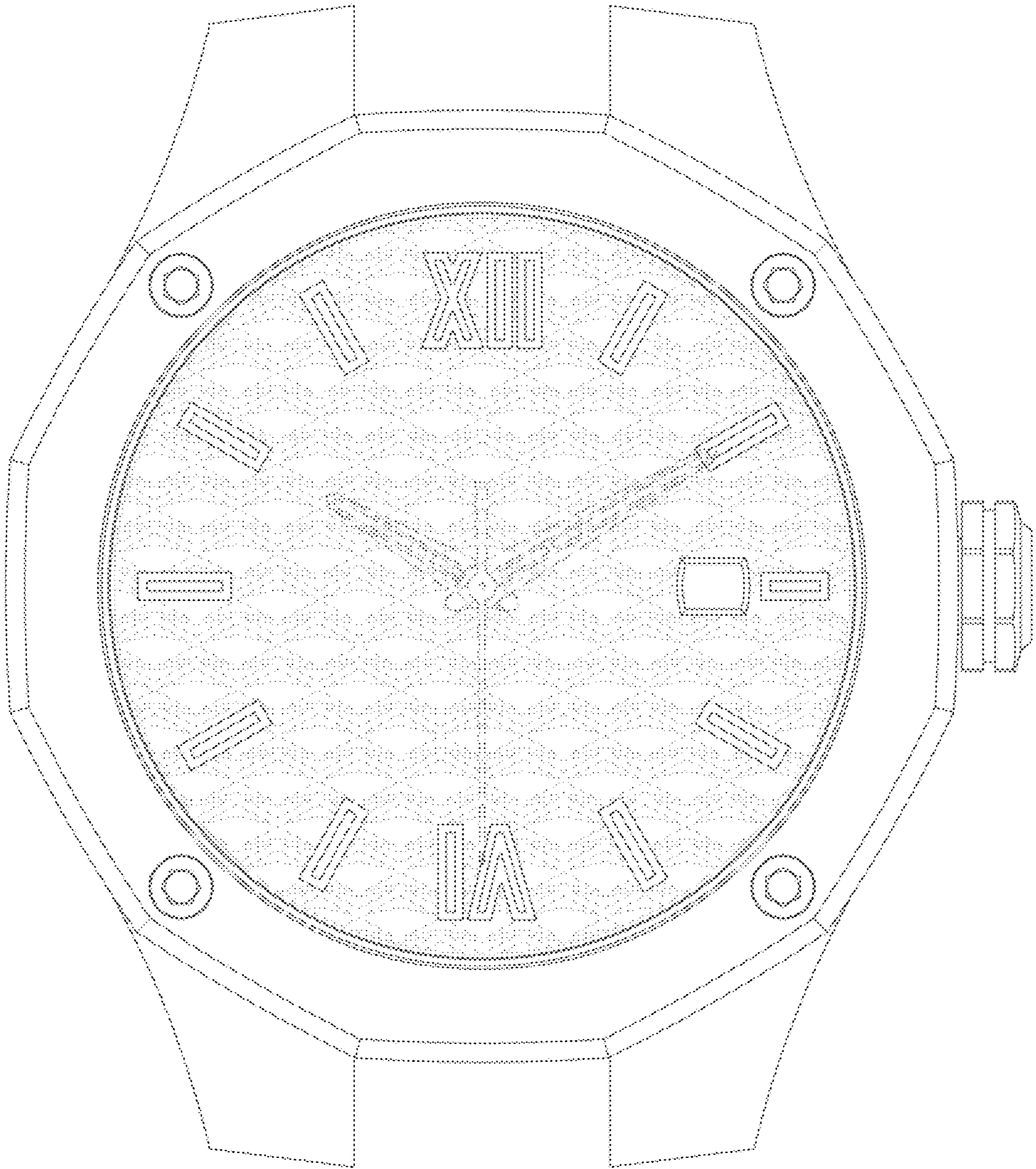
1.7



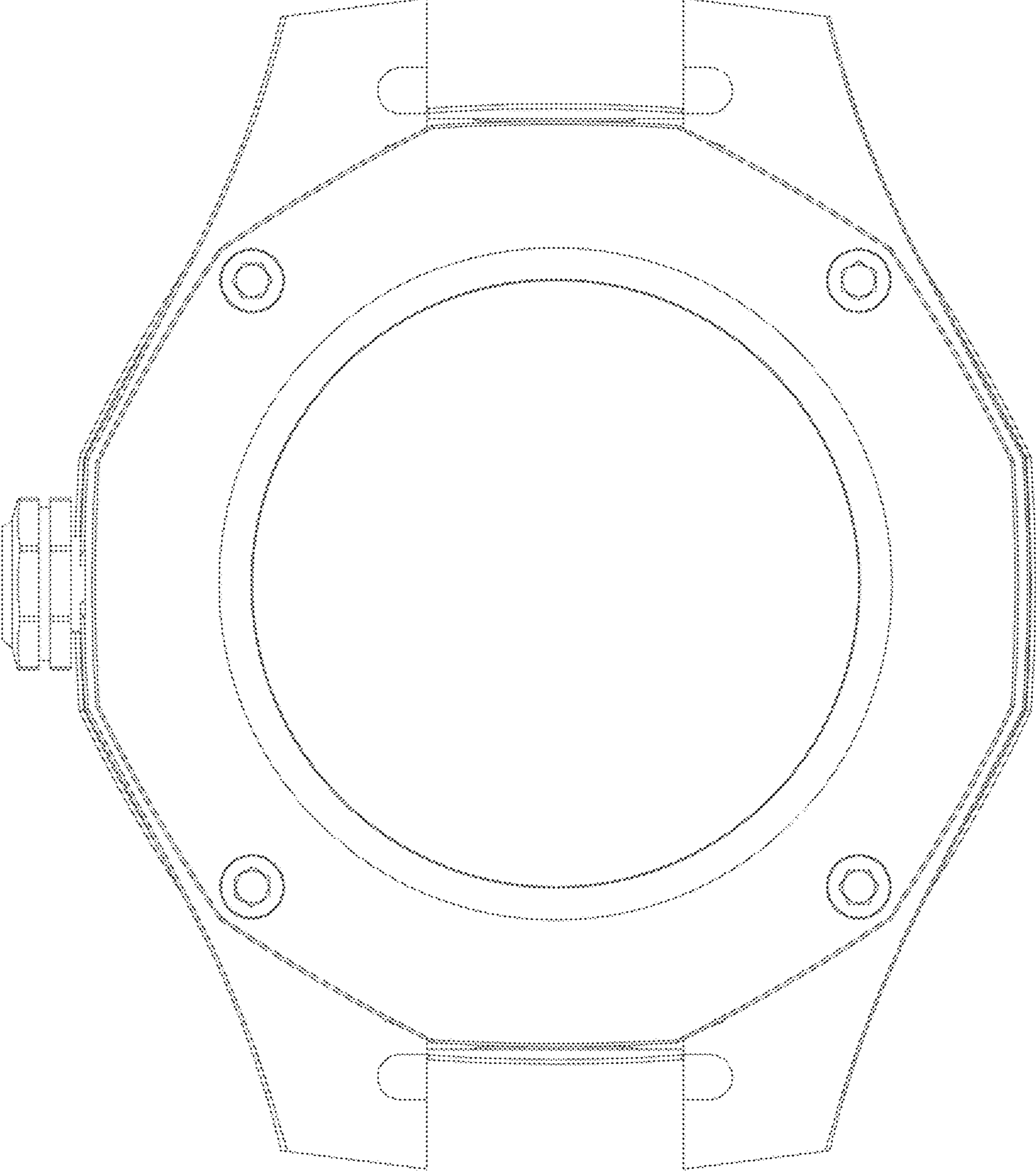
2.1



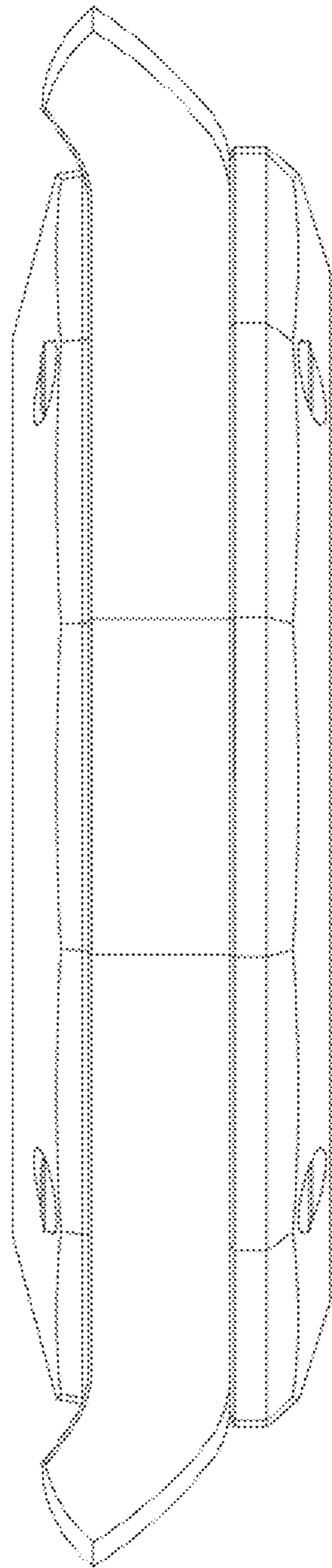
2.2



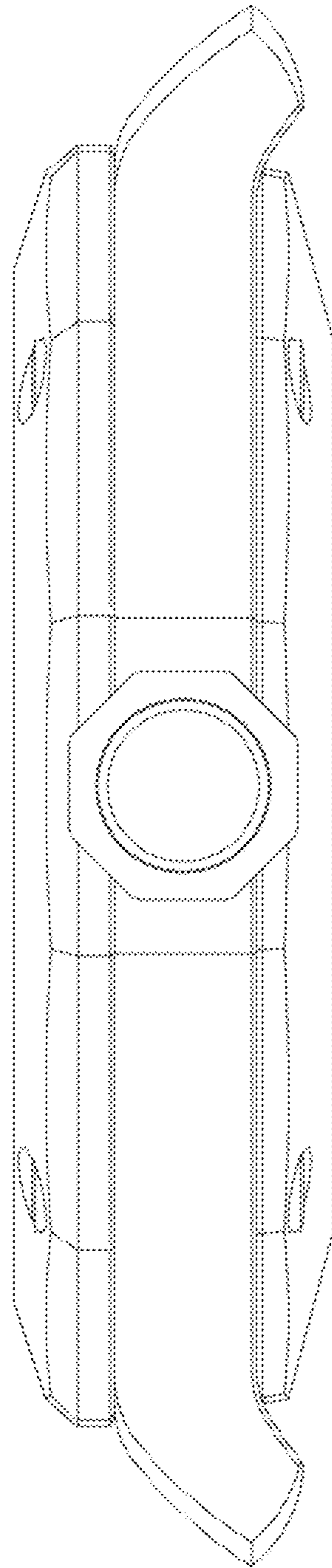
2.3



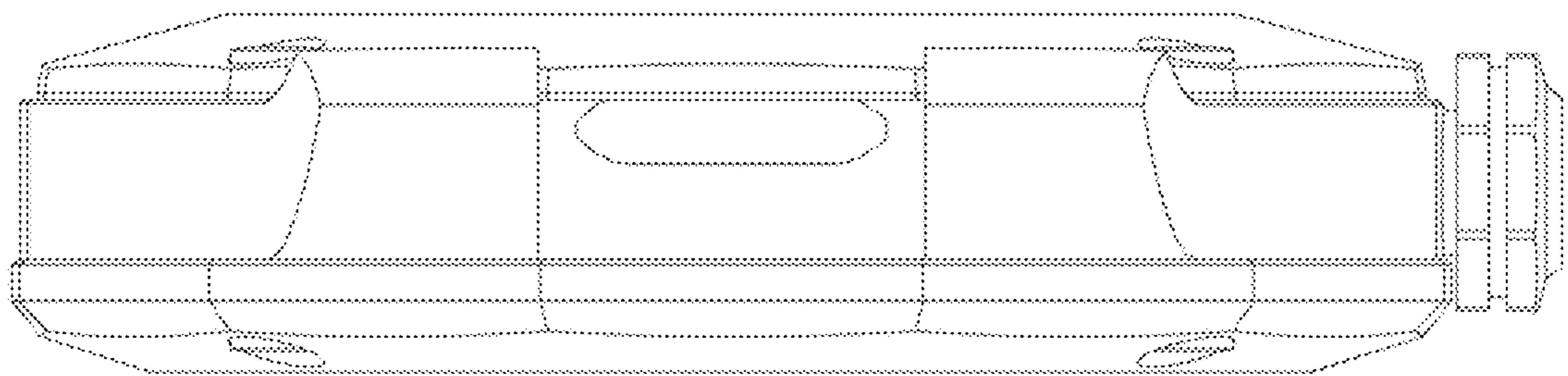
2.4



2.5



2.6



2.7

