



US00D978682S

(12) **United States Design Patent** (10) **Patent No.:** **US D978,682 S**
Bellard (45) **Date of Patent:** **** Feb. 21, 2023**

(54) **APPLICATOR**

- (71) Applicant: **Siloa Inc.**, Bedminster, NJ (US)
- (72) Inventor: **Mark Bellard**, Bedminster, NJ (US)
- (73) Assignee: **Siloa Inc.**, Bedminster, NJ (US)
- (**) Term: **15 Years**
- (21) Appl. No.: **29/779,894**
- (22) Filed: **Apr. 21, 2021**

Related U.S. Application Data

- (62) Division of application No. 29/694,098, filed on Jun. 7, 2019, now Pat. No. Des. 920,808.
- (51) **LOC (14) Cl.** **09-01**
- (52) **U.S. Cl.**
USPC **D9/726**
- (58) **Field of Classification Search**
USPC D9/442, 695-699, 711, 712, 723-729;
D28/7, 73, 76, 85, 88
CPC A45D 34/04; A45D 34/041; A45D 34/042;
A45D 40/00; A45D 40/02; A45D
40/0075; A45D 40/205; A45D 40/26;
A45D 40/261; A45D 40/262; A45D
2040/0018; A45D 2040/0025; A45D
2200/057; B65D 1/08; B65D 47/18;
B65D 51/32
See application file for complete search history.

(56) **References Cited**

U.S. PATENT DOCUMENTS

- 5,582,327 A 12/1996 De Laforcade
- 6,010,264 A 1/2000 Scuderi et al.
- D422,748 S * 4/2000 Lang D28/7
- D450,888 S 11/2001 Breidenbach et al.
- D530,857 S 10/2006 Black
- D583,506 S * 12/2008 Justice D28/86

(Continued)

FOREIGN PATENT DOCUMENTS

- CN 300938301 S 1/2008
- CN 302452435 S 6/2013

(Continued)

OTHER PUBLICATIONS

“Transparent Clear Borosilicate Customized Screw Thread Sight Glass Tube [online]”, Alibaba.com, [retrieved on May 13, 2019], Publication date unknown. Retrieved from the internet: <URL: https://www.alibaba.com/product-detail/Transparent-Clear-Borosilicate-Customized-Screw-Thread_62045714741.html?>

Primary Examiner — Janice Patyk

(74) *Attorney, Agent, or Firm* — Servilla Whitney LLC

(57) **CLAIM**

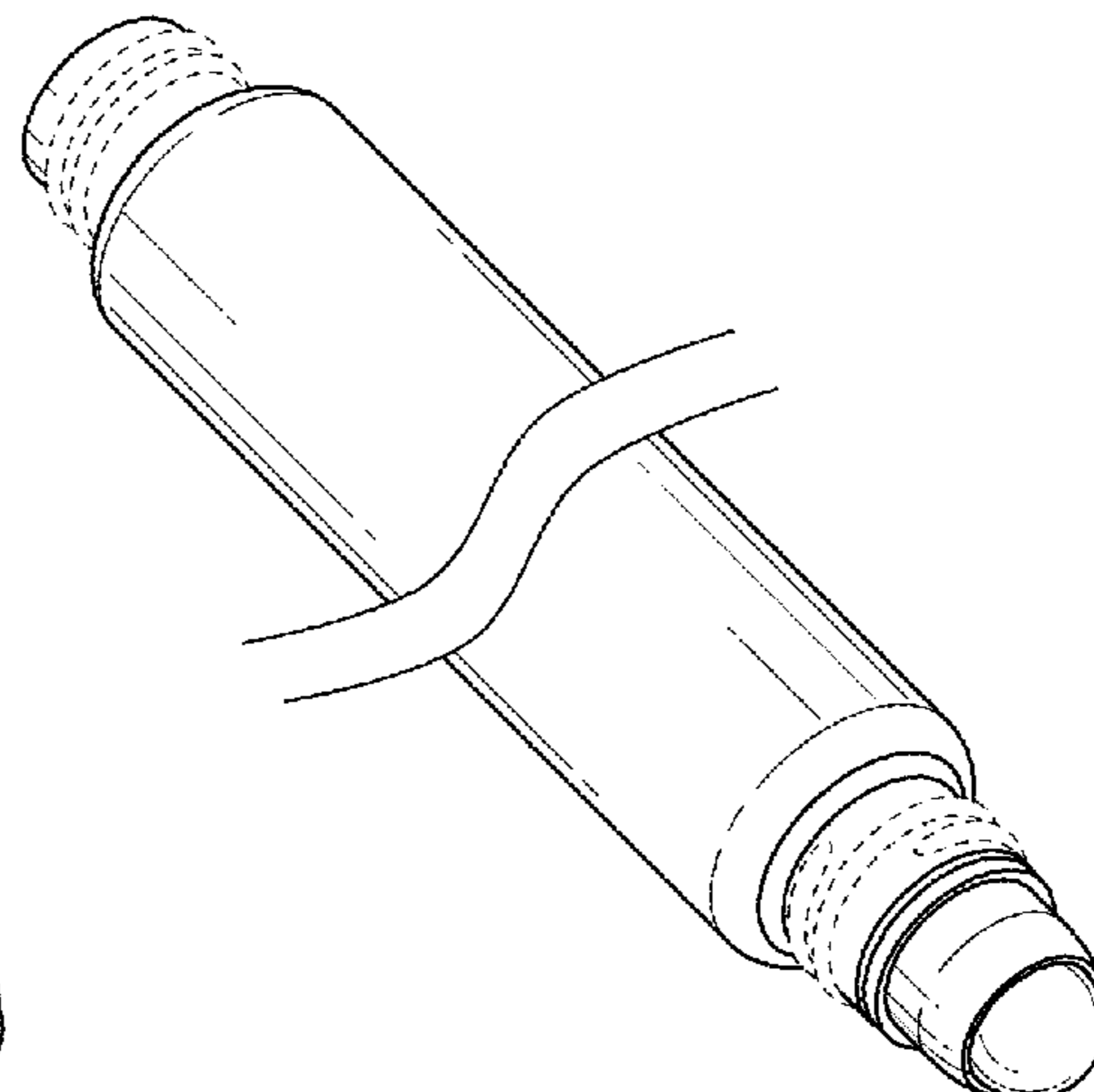
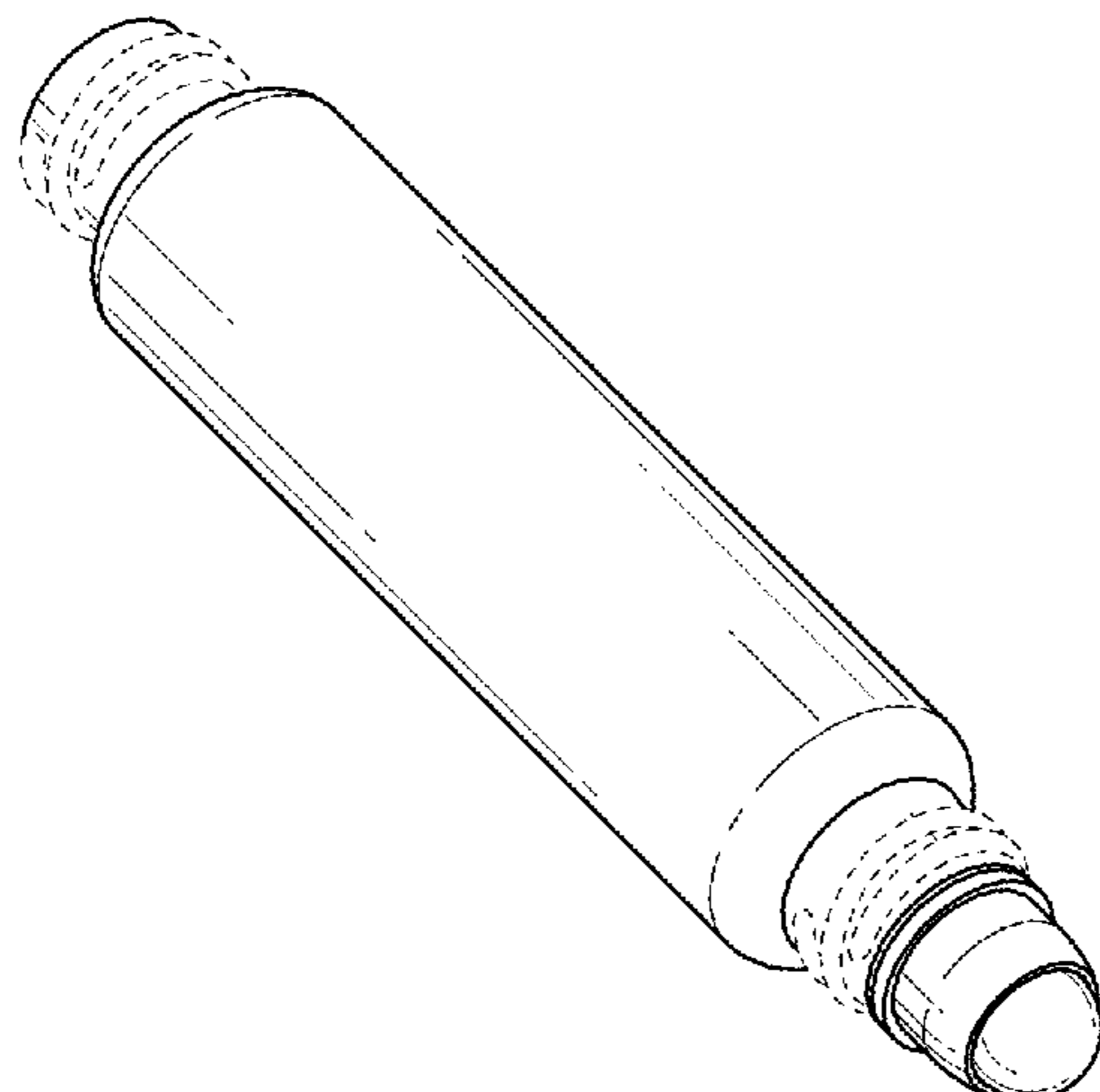
The ornamental design for an applicator, as shown and described.

DESCRIPTION

FIG. 1 is a top, front perspective view of embodiment one, of an applicator, showing my new design;
FIG. 2 is a front view thereof;
FIG. 3 is a rear view thereof;
FIG. 4 is a top view thereof;
FIG. 5 is a bottom view thereof;
FIG. 6 is a left side view thereof;
FIG. 7 is a right side view thereof;
FIG. 8 is an exploded top view thereof, shown with environmental caps;
FIG. 9 is a top, front perspective view of embodiment two, of an applicator, showing my new design; and,
FIG. 10 is a top view thereof.

The broken lines in the figures illustrate the portions of the design that form no part of the claimed design.
The broken lines caps in FIG. 8 illustrate environmental subject matter that forms no part of the claimed design.

(Continued)



The applicator has been shown with symbolic breaks. The appearance of any portion of the article between the break lines form no part of the claimed design.

1 Claim, 4 Drawing Sheets

D757,565 S 5/2016 Partrat
D789,452 S 6/2017 Matsumura
D800,566 S 10/2017 Wieland
D842,126 S * 3/2019 Breidenbach D9/726
D851,333 S * 6/2019 Nagata D9/504
D855,892 S * 8/2019 Lee A45D 34/041
D28/88

2006/0222445 A1 10/2006 Chuang
2008/0107474 A1 5/2008 Hsieh
2014/0126948 A1 5/2014 Haynes

(56)

References Cited

U.S. PATENT DOCUMENTS

D601,191 S 9/2009 Hung
D615,419 S 5/2010 Owen
D658,332 S * 4/2012 Huang D28/62
D697,807 S * 1/2014 Servaire D9/504
D708,961 S 7/2014 Jung et al.
8,956,066 B2 * 2/2015 Young A45D 34/041
401/209
D725,490 S 3/2015 Grosso et al.
9,004,791 B2 4/2015 Acierito et al.
D734,539 S 7/2015 Yeo

FOREIGN PATENT DOCUMENTS

CN 303407650 S 10/2015
CN 304379226 S 12/2017
CN 304891775 S 11/2018
CN 304924939 S 12/2018
CN 305107707 S 4/2019
JP D1544355 2/2016
KR 300647432 6/2012
KR 300818589 10/2015

* cited by examiner

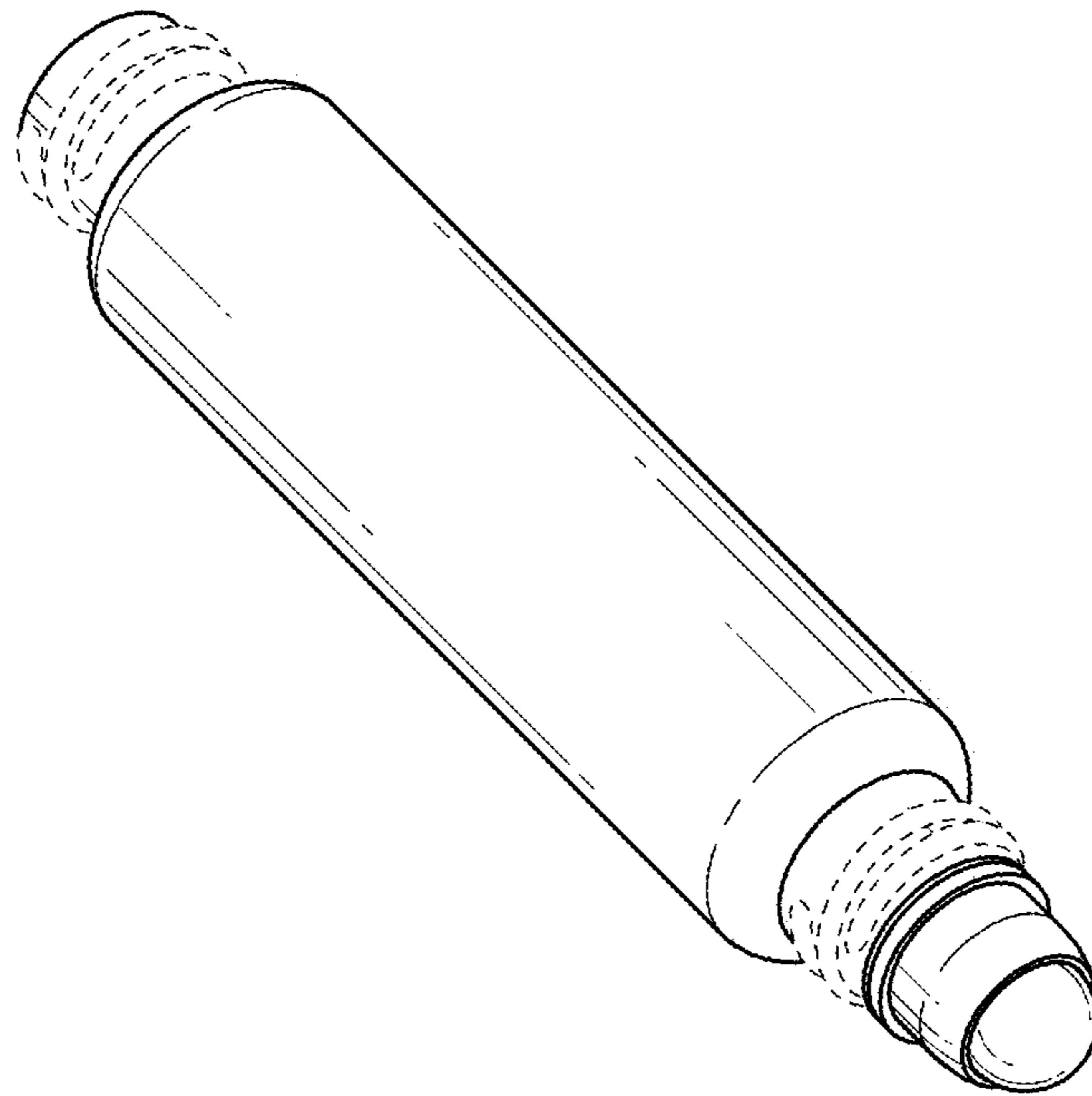


FIG. 1

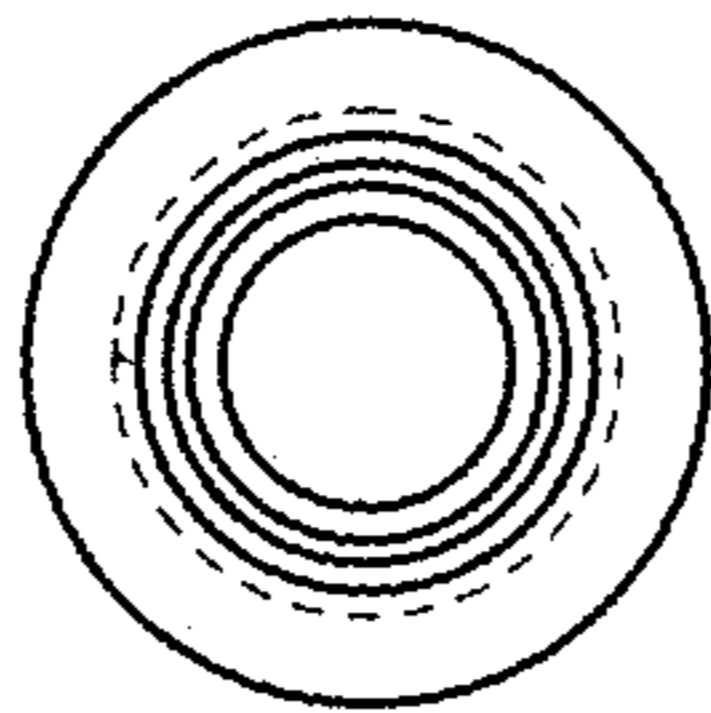


FIG. 2

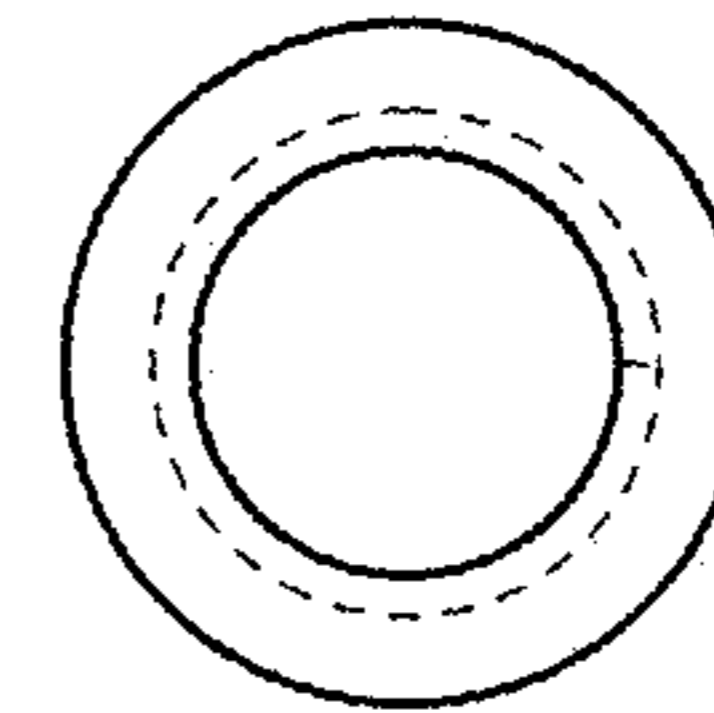


FIG. 3

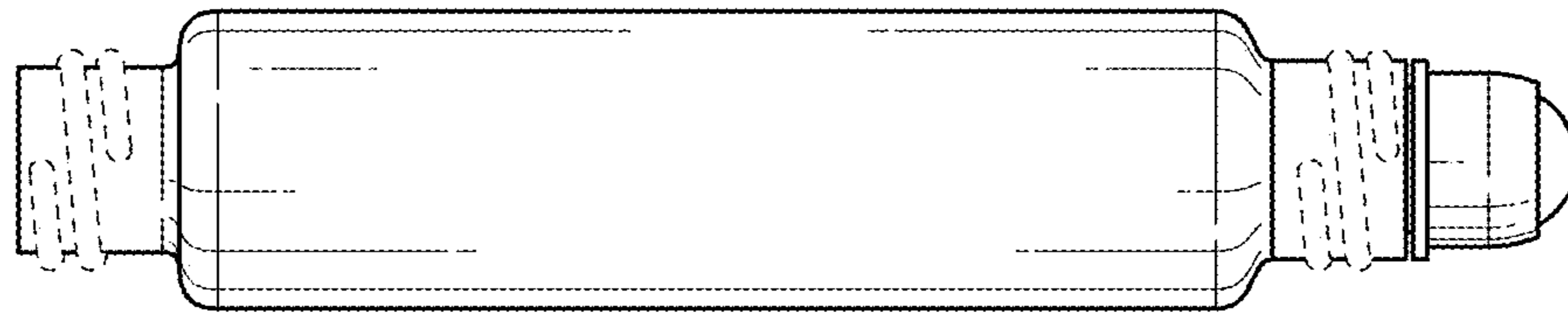


FIG. 4

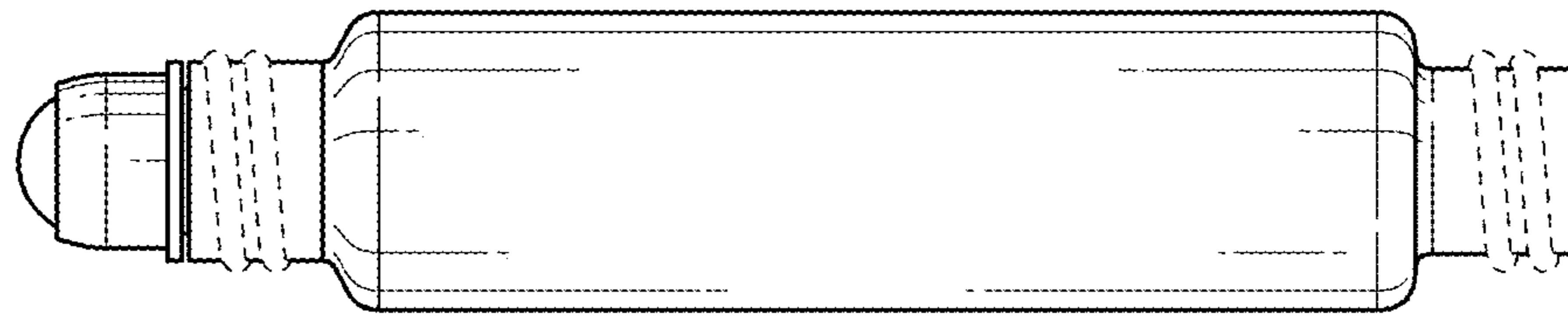


FIG. 5

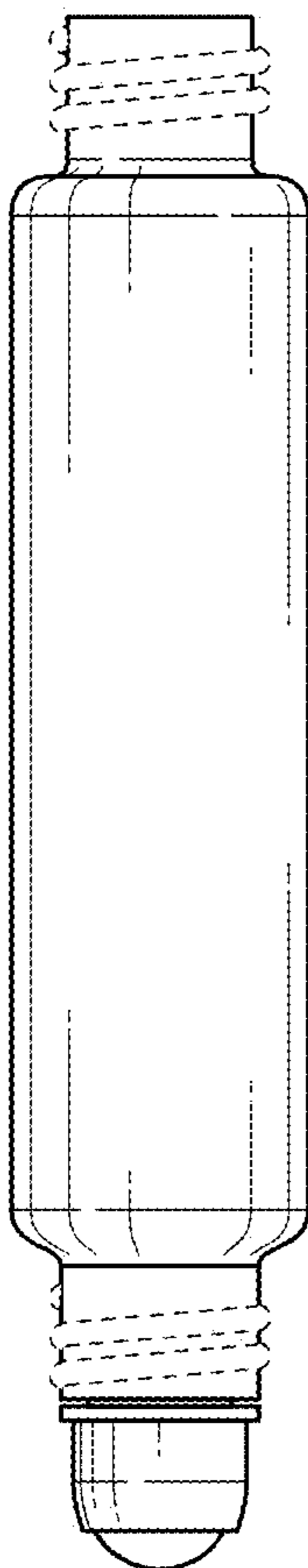


FIG. 6

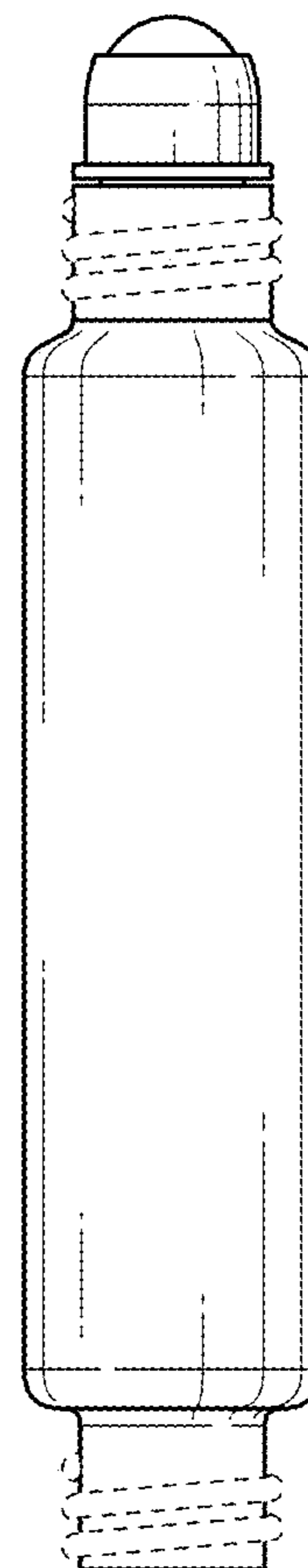


FIG. 7

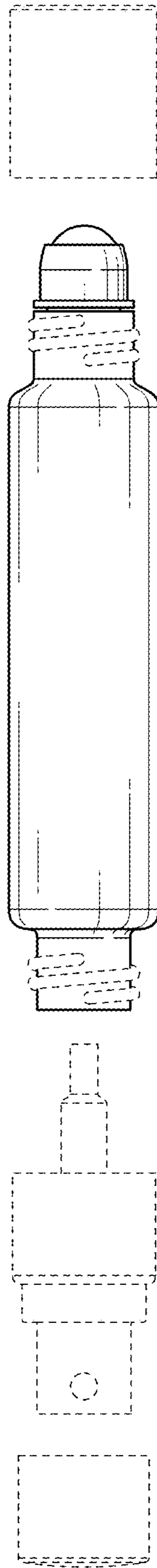


FIG. 8

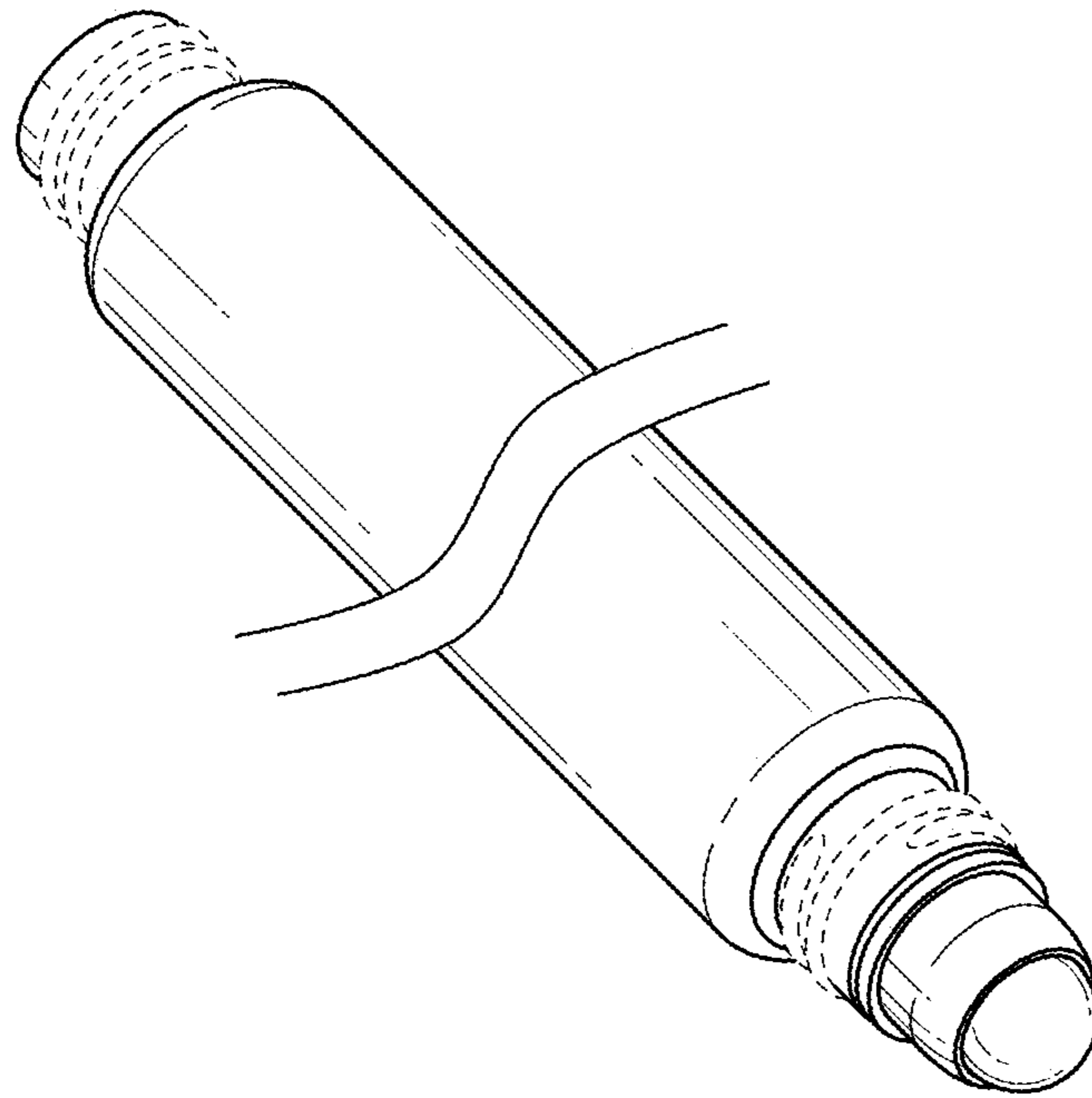


FIG. 9

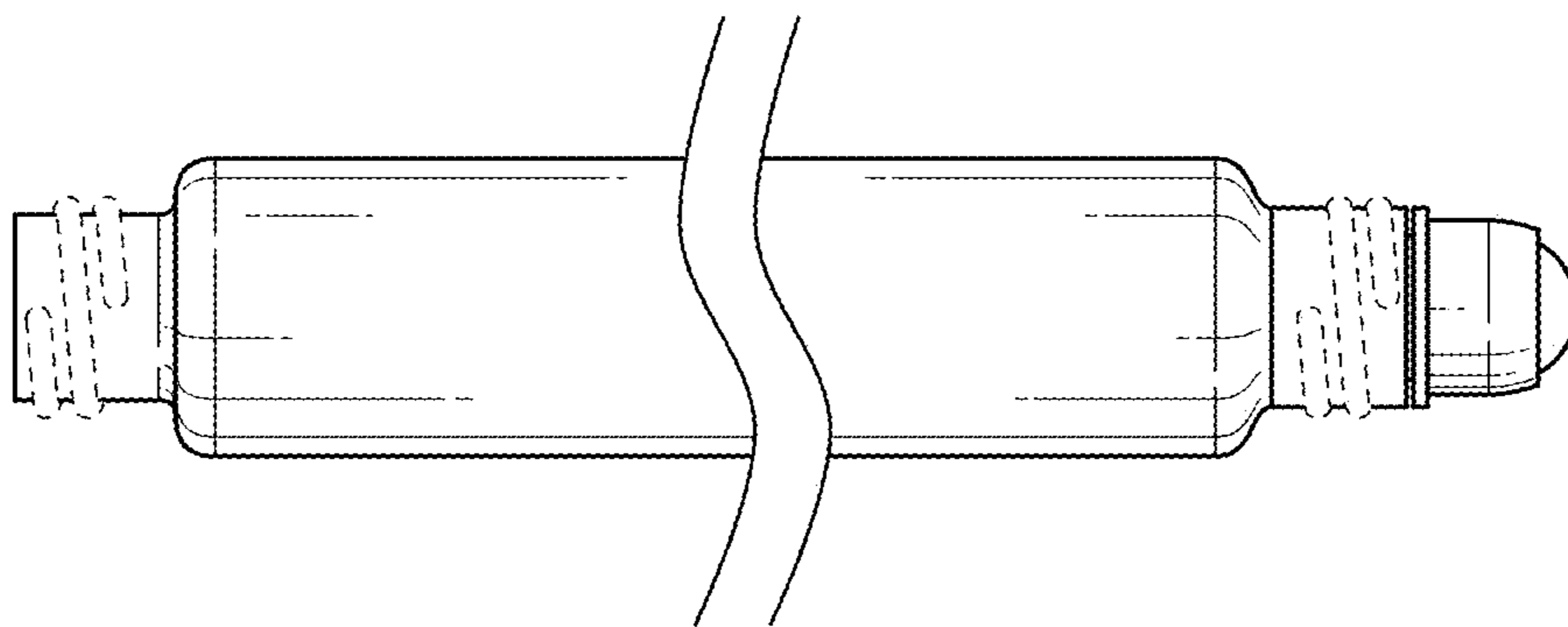


FIG. 10