



US00D978681S

(12) **United States Design Patent** (10) **Patent No.:** **US D978,681 S**  
**Goncharova** (45) **Date of Patent:** **\*\* Feb. 21, 2023**

(54) **MULTI-COMPARTMENT PERFUME APPLICATOR**

(71) Applicant: **Anna Aleksandrovna Goncharova**,  
Ayer, MA (US)

(72) Inventor: **Anna Aleksandrovna Goncharova**,  
Ayer, MA (US)

(\*\*) Term: **15 Years**

(21) Appl. No.: **29/652,500**

(22) Filed: **Sep. 4, 2020**

(51) **LOC (14) Cl.** ..... **09-01**

(52) **U.S. Cl.**

USPC ..... **D9/726; D28/4**

(58) **Field of Classification Search**

USPC ..... D9/552, 529, 434, 435, 442, 516, 542,  
D9/549, 571, 695-699, 723-729, 746,  
D9/747; D4/114; D28/4

CPC . A45D 34/041; A45D 34/02; A45D 2034/005

See application file for complete search history.

(56) **References Cited**

**U.S. PATENT DOCUMENTS**

4,221,494	A *	9/1980	Kachur	.....	A45D 34/041 401/214
D303,020	S *	8/1989	Reichmann	.....	D28/91.1
D303,021	S *	8/1989	Reichmann	.....	D28/91.1
D306,494	S *	3/1990	Bajusz	.....	D28/7
5,586,694	A *	12/1996	Breidenbach	.....	A45D 34/041 401/214
D406,054	S *	2/1999	Wagner	.....	D9/725
D422,748	S *	4/2000	Lang	.....	D28/7
D725,490	S *	3/2015	Grosso	.....	D9/726
D920,808	S *	6/2021	Bellard	.....	D9/726
D949,707	S *	4/2022	Khodzhayan	.....	D9/726

**FOREIGN PATENT DOCUMENTS**

IN RGN \* 7/2021  
345860-001-0001

**OTHER PUBLICATIONS**

12 Pack Essential Oil Roller Bottles, sungwoo 10ml Amber Glass Roller Bottles with Stainless Steel Roller Balls and Caps for Travel, Perfume and Lip Gloss Online, published N/A. Retrieved on Sep. 14, 2022 from URL:https://www.amazon.com/dp/B08NPTZ554/ref=sspa\_dk\_detail\_2?pd\_rd\_i=B08NPTZ554&pd\_rd\_w=Ej44o&content-id=am.\*

\* cited by examiner

*Primary Examiner* — Jae Liang

*Assistant Examiner* — Royner Mendoza

(74) *Attorney, Agent, or Firm* — Dunlap Bennett & Ludwig, PLLC; Anna L. Kinney

(57) **CLAIM**

The ornamental design for a multi-compartment perfume applicator, as shown and described.

**DESCRIPTION**

FIG. 1 is a partially exploded top front perspective view of a multi-compartment perfume applicator, showing my new design;

FIG. 2 is a partially exploded front elevation view thereof;

FIG. 3 is a partially exploded rear elevation view thereof;

FIG. 4 is a partially exploded right elevation view thereof,

with the left elevation view being a mirror image thereof;

FIG. 5 is a partially exploded top elevation view thereof;

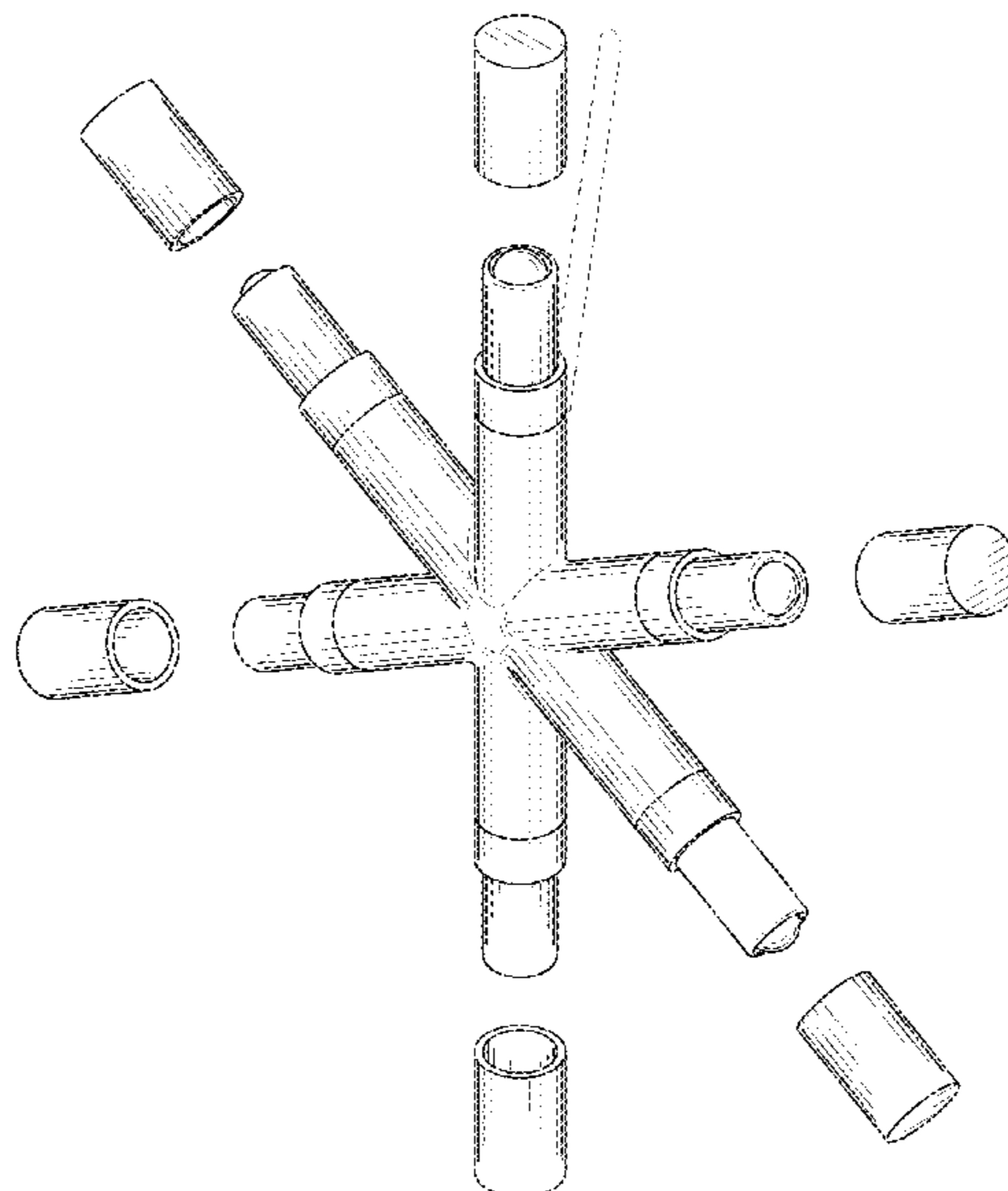
FIG. 6 is a partially exploded bottom elevation view thereof;

FIG. 7 is a fully assembled top front perspective view thereof; and,

FIG. 8 is an exploded top front perspective view thereof.

The evenly dashed broken lines depict portions of the multi-compartment perfume applicator that form no part of the claimed design. The long-short-long dashed lines shown in the drawings depict environmental subject matter that forms no part of the claimed design.

**1 Claim, 7 Drawing Sheets**



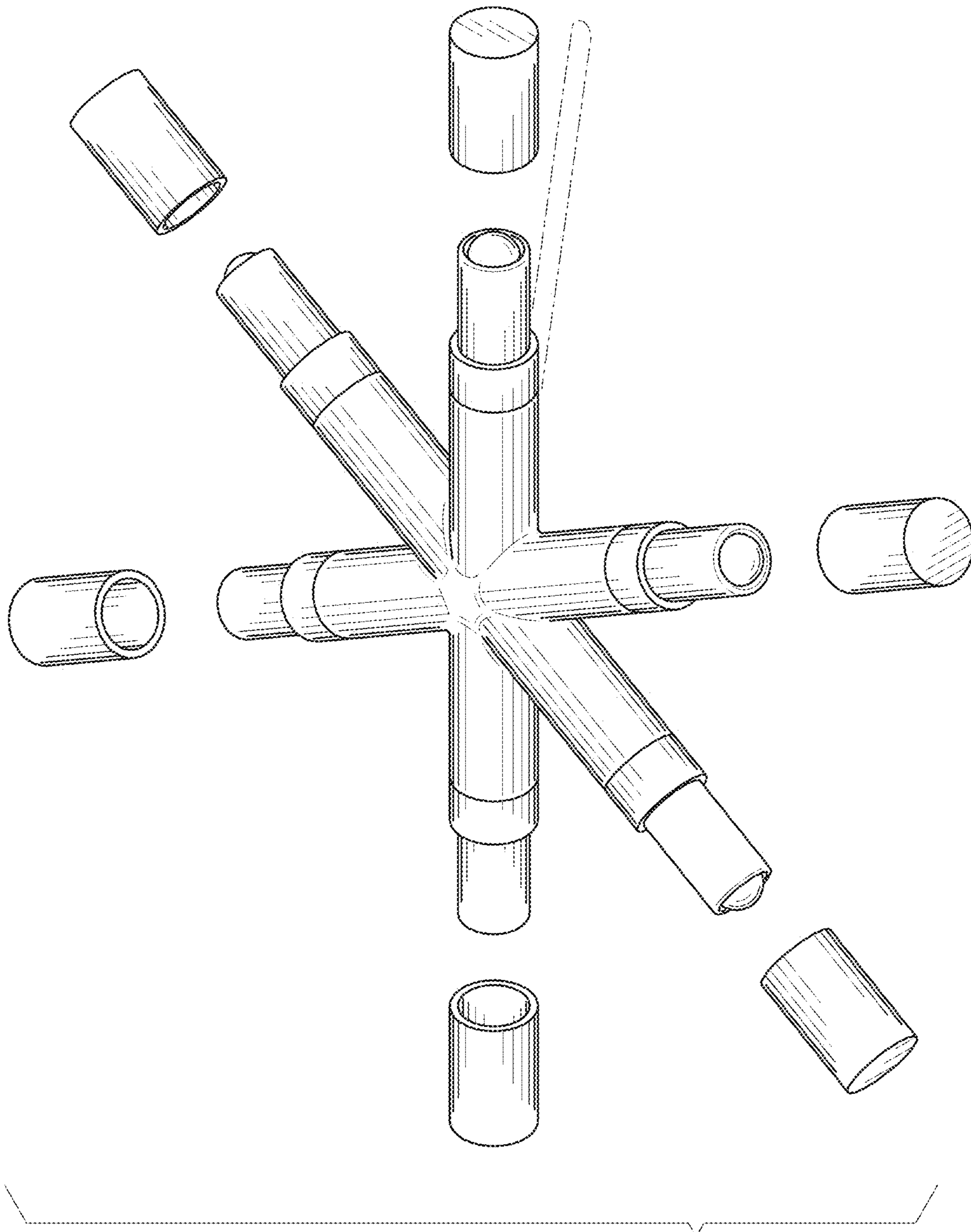


FIG. 1

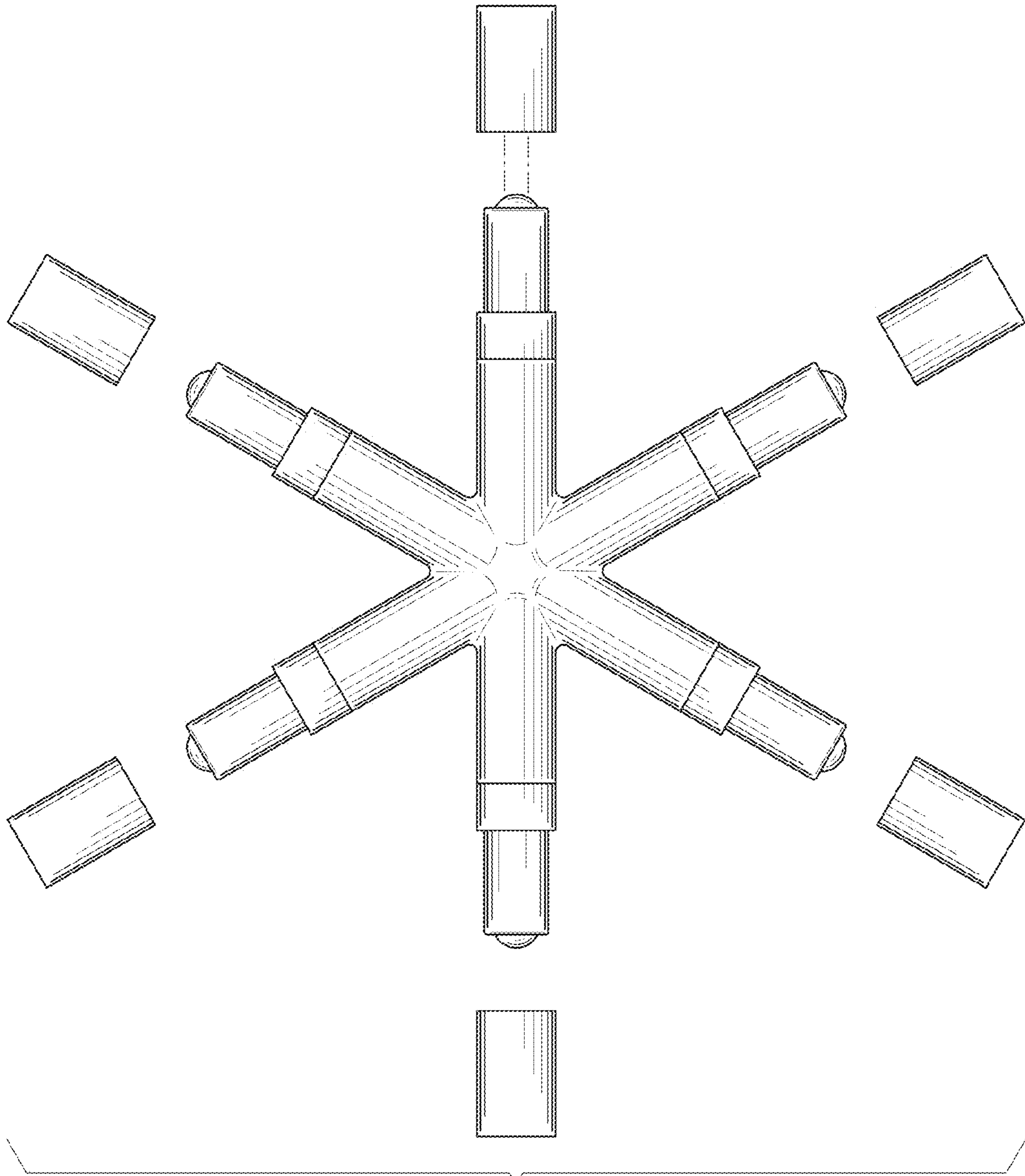


FIG.2

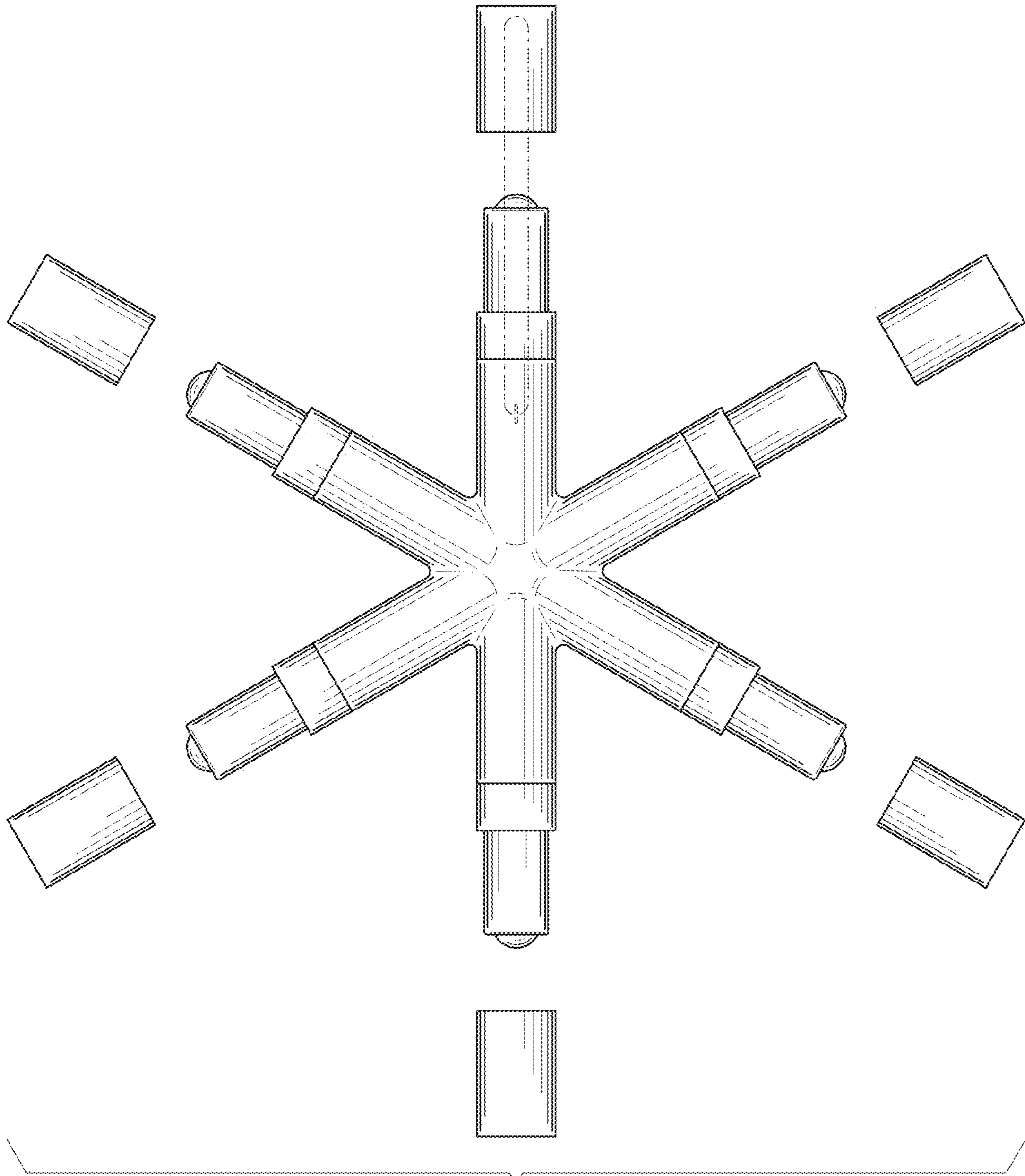
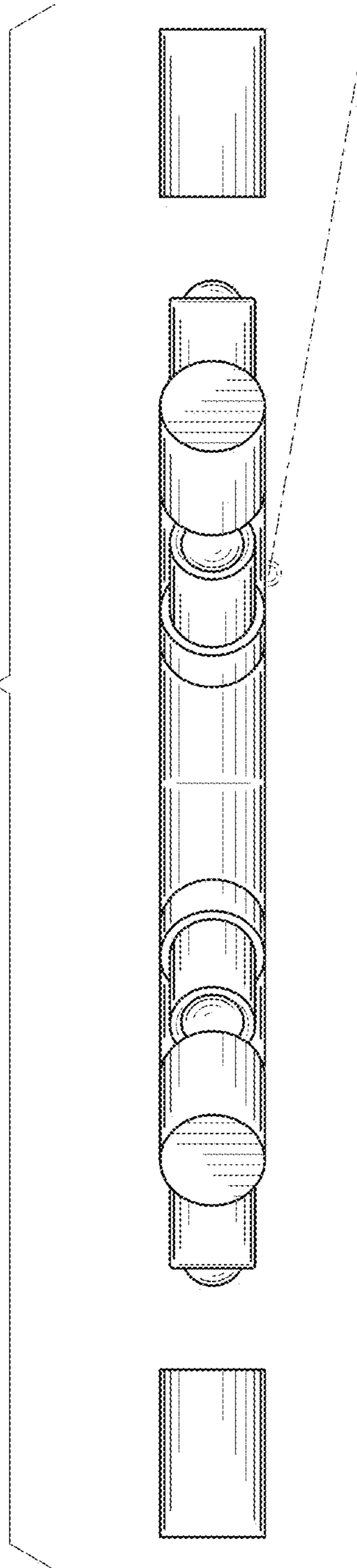


FIG.3

FIG. 4



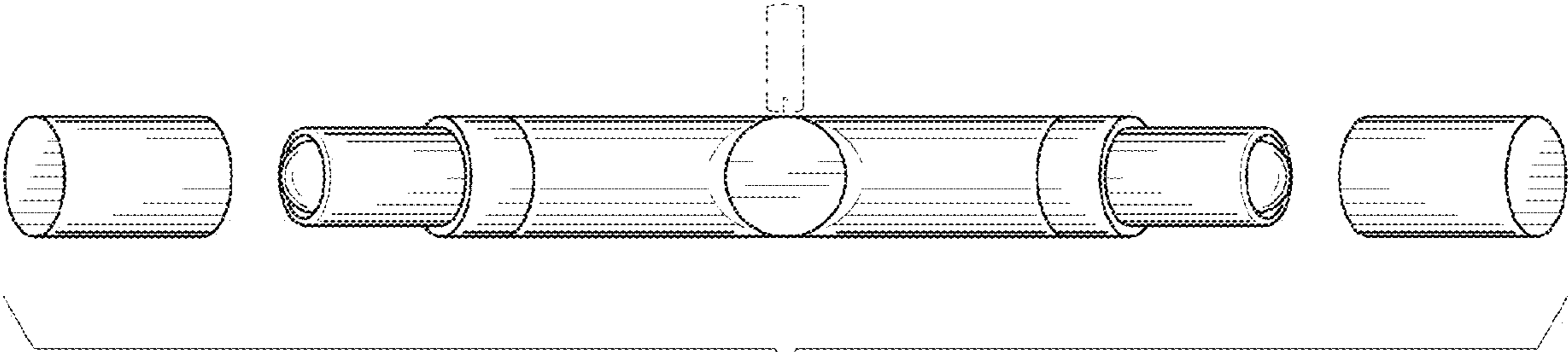


FIG. 5

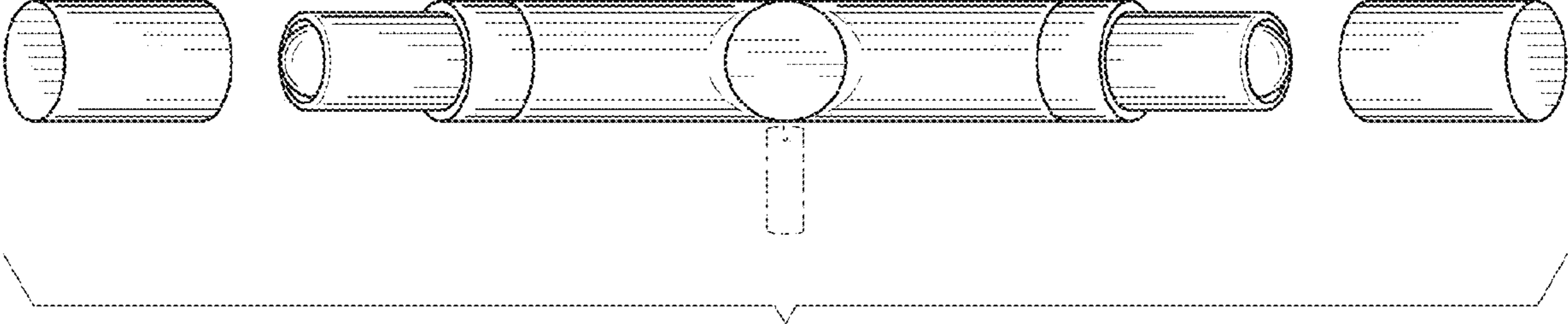


FIG. 6

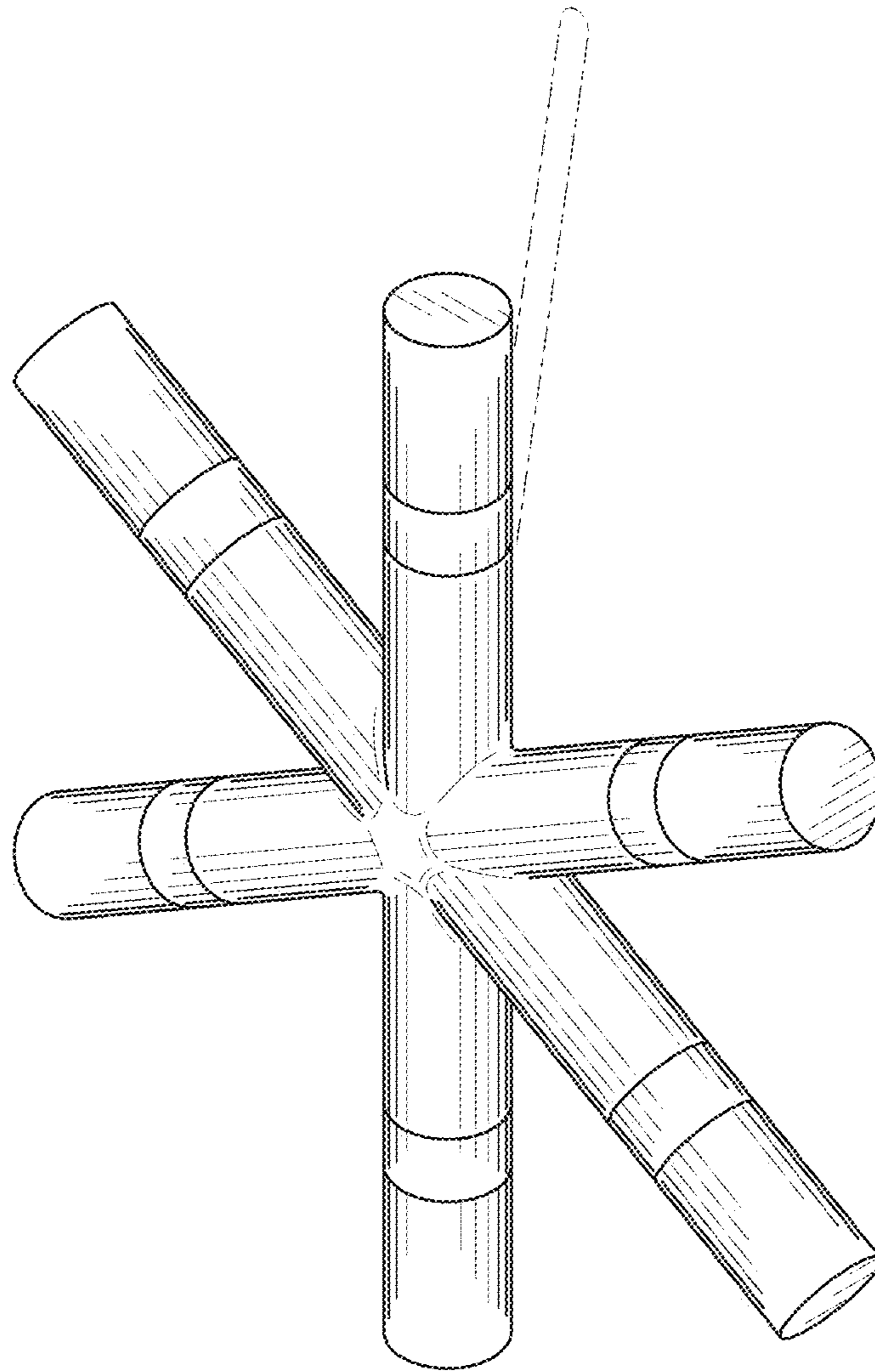


FIG.7

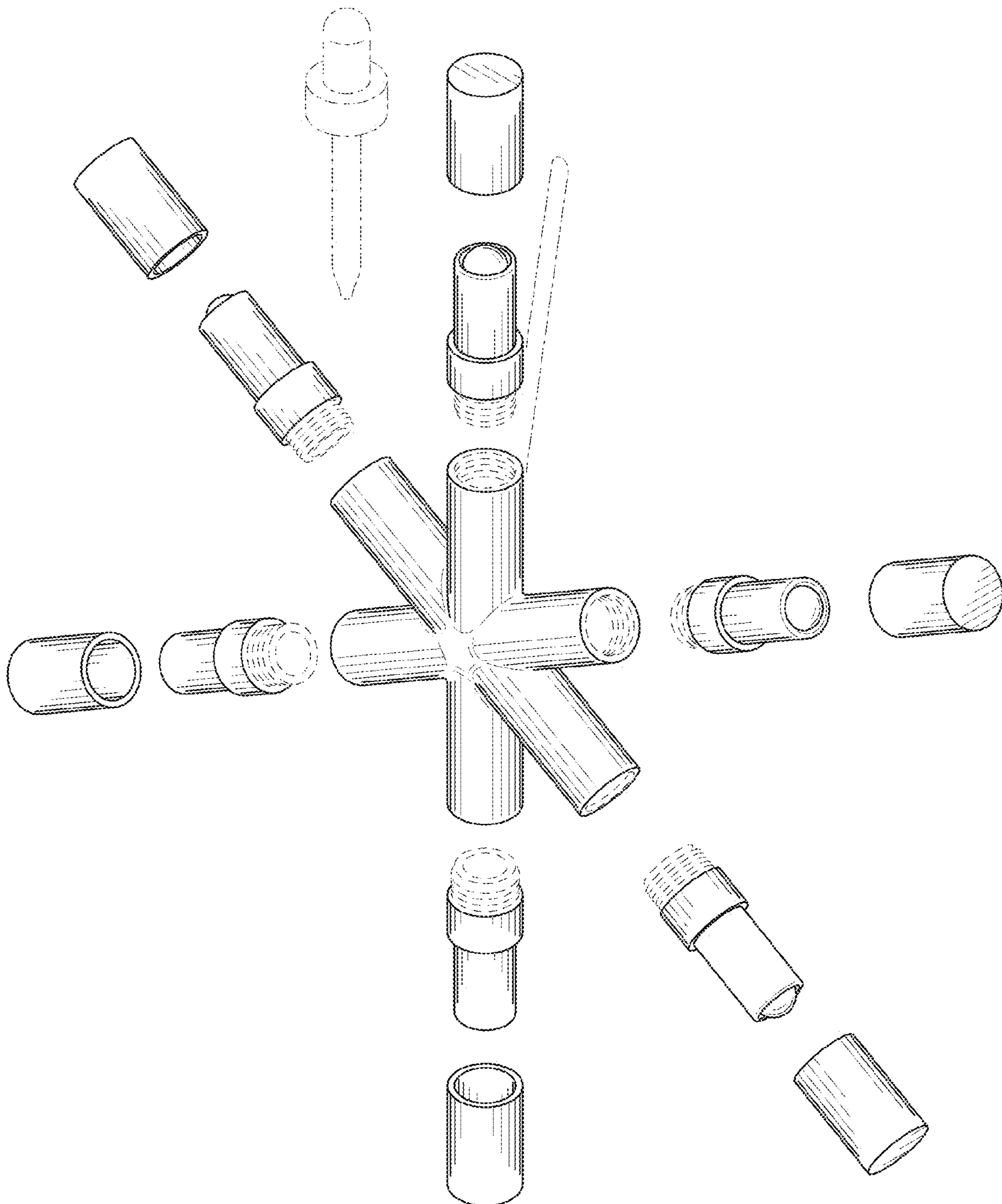


FIG.8