



US00D978680S

(12) **United States Design Patent** (10) **Patent No.:** **US D978,680 S**
Sharifi-Mehr (45) **Date of Patent:** **** Feb. 21, 2023**

- (54) **BLADE SLEEVE**
- (71) Applicant: **K2M, Inc.**, Leesburg, VA (US)
- (72) Inventor: **Amir Ali Sharifi-Mehr**, Bloomingdale, NJ (US)
- (73) Assignee: **K2M, Inc.**, Leesburg, VA (US)
- (**) Term: **15 Years**
- (21) Appl. No.: **29/787,230**
- (22) Filed: **Jun. 4, 2021**
- (51) **LOC (14) Cl.** **09-05**
- (52) **U.S. Cl.**
USPC **D9/711**
- (58) **Field of Classification Search**
USPC D9/702-714, 713-714, 720-722, 424, D9/445, 415, 432-433, 422, 426, 418; D6/626, 407, 631-634, 628-629, 526, D6/524; D3/315, 905, 272-273; D7/73-74
CPC A61B 17/00; A61B 17/14; A61B 17/32; A61B 2017/320008; A61B 2017/320075
See application file for complete search history.

(56) **References Cited**

U.S. PATENT DOCUMENTS

D282,235 S *	1/1986	Pendleton	D7/641
D307,242 S *	4/1990	Horton	D9/418
5,868,771 A	2/1999	Herbert et al.		
7,172,611 B2	2/2007	Harding et al.		
D545,568 S *	7/2007	Laga	D3/315
D723,941 S *	3/2015	Lewis	D9/711

OTHER PUBLICATIONS

Bard-Parker® SafeSwitch® Disposable Scalpel Handle Cover, Aspen Surgical. [online], [retrieved on Jun. 1, 2021]. Retrieved from the

internet <URL:https://www.aspensurgical.com/catalog/blades-scalpels/bard-parker-safeswitch-disposable-scalpel-handle-disposable-scalpel-handle-cover/st-830d>.

(Continued)

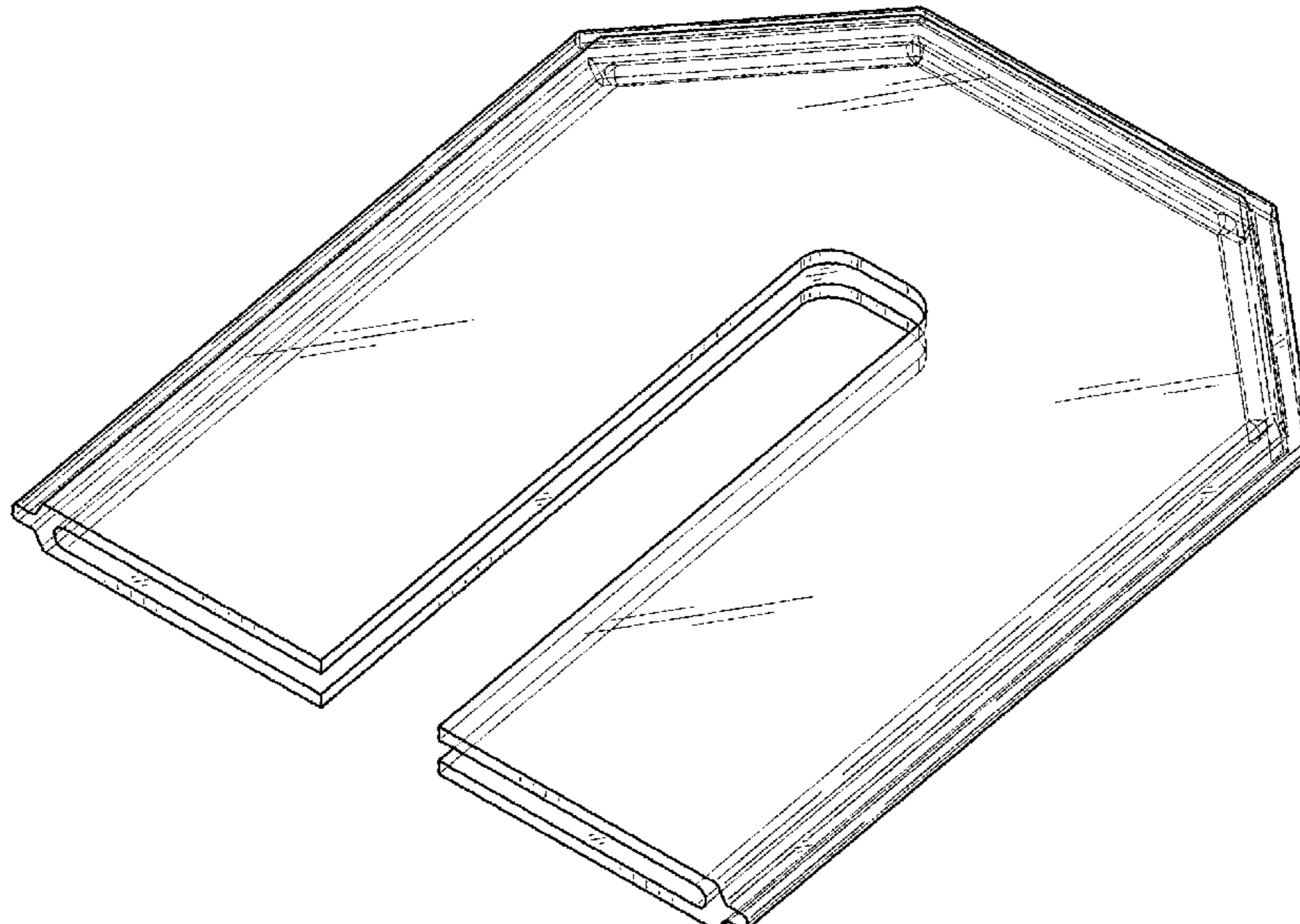
Primary Examiner — Abraham Bahta
 (74) *Attorney, Agent, or Firm* — Lerner, David, Littenberg, Krumholz & Mentlik, LLP

(57) **CLAIM**
 The ornamental design for a blade sleeve, as shown and described.

DESCRIPTION

FIG. 1 is a front perspective view of a blade sleeve according to a first embodiment of my design;
 FIG. 2 is a front view thereof;
 FIG. 3 is a back view thereof;
 FIG. 4 is a left side view thereof;
 FIG. 5 is a right side view thereof;
 FIG. 6 is a top view thereof;
 FIG. 7 is a bottom view thereof;
 FIG. 8 is a front perspective view thereof shown in connection with a blade as an environmental feature that can be associated therewith;
 FIG. 9 is a front perspective view of a blade sleeve according to a second embodiment of my design;
 FIG. 10 is a front view thereof;
 FIG. 11 is a back view thereof;
 FIG. 12 is a left side view thereof;
 FIG. 13 is a right side view thereof;
 FIG. 14 is a top view thereof;
 FIG. 15 is a bottom view thereof; and,
 FIG. 16 is a front perspective view thereof shown in connection with a blade as an environmental feature that can be associated therewith.
 The broken line showing of portions of the blade sleeve is included for the purpose of illustrating environmental structure and forms no part of the claimed design.

1 Claim, 8 Drawing Sheets



(56)

References Cited

OTHER PUBLICATIONS

Standard Tip Protectors, Aspen Surgical, [online], [retrieved on Jun. 2, 2021]. Retrieved from the internet <URL:<https://www.aspensurgical.com/catalog/central-sterile/instrument-tip-protectors/standard-tip-protectors/>>. (11 screenshots attached).

Scapel, Ted Pella, Inc. [online], [retrieved on Jun. 1, 2021]. Retrieved from the internet <URL:https://www.tedpella.com/dissect_html/scapel.htm.aspx#550-3>.

* cited by examiner

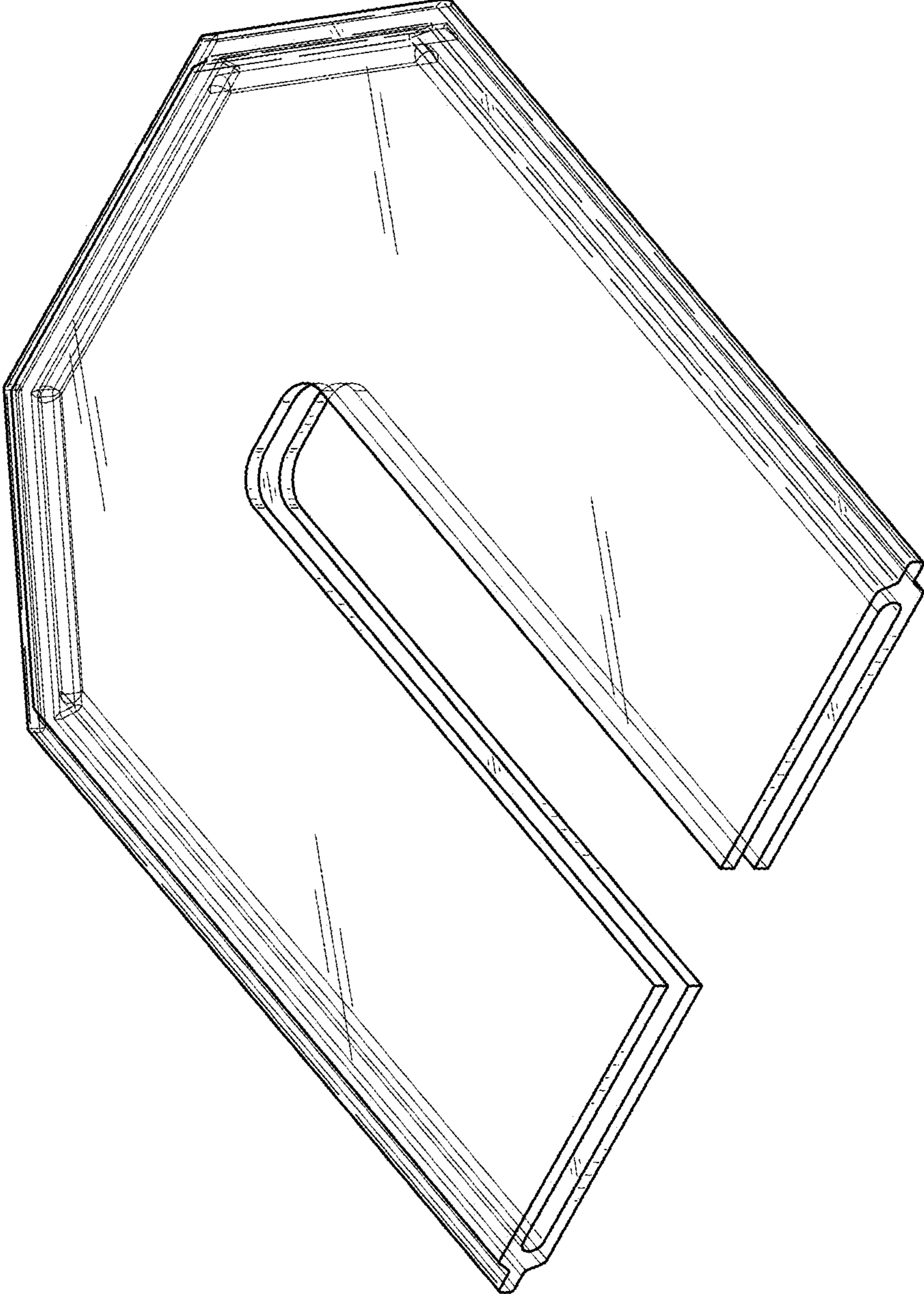


FIG. 1

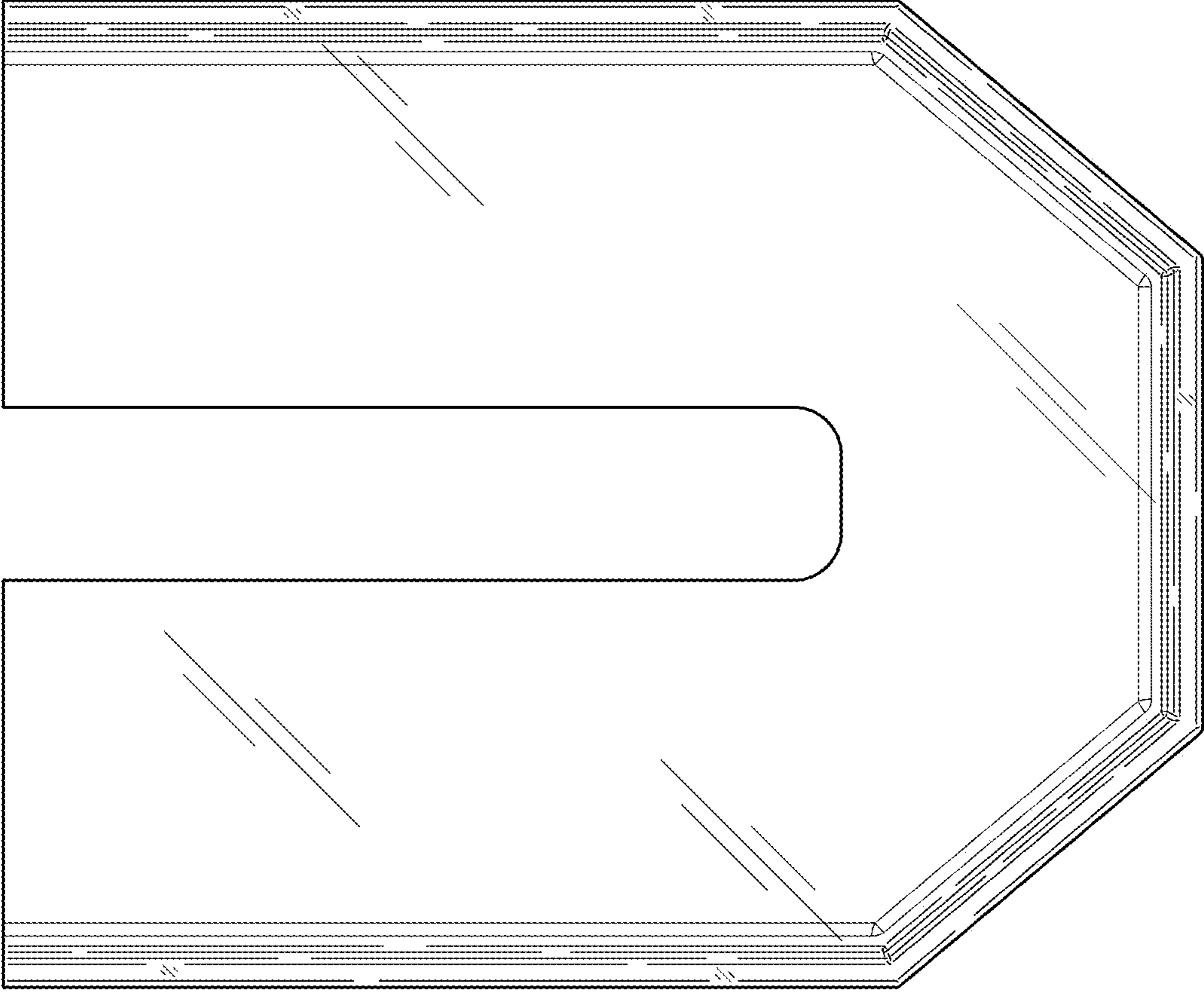


FIG. 2

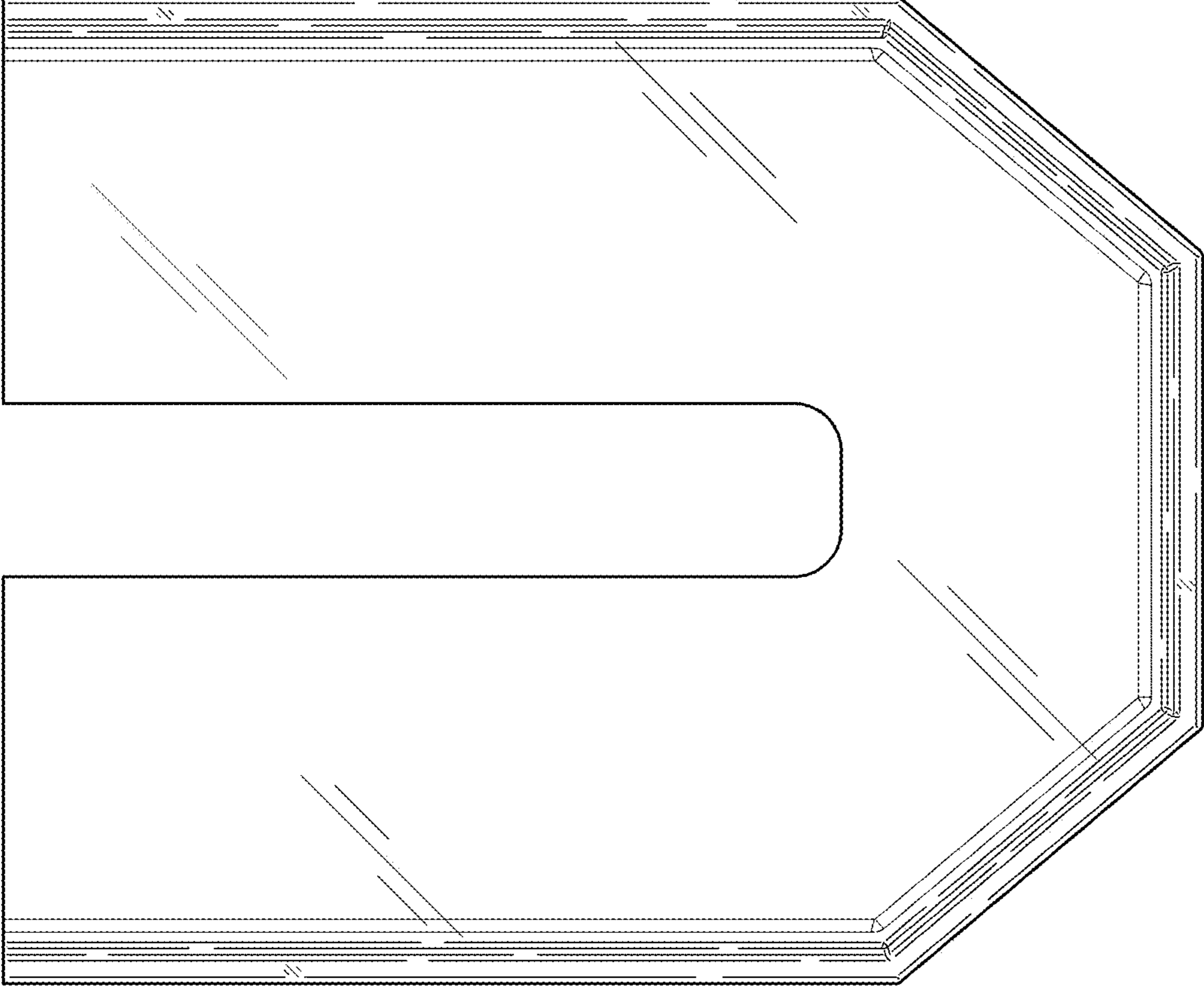


FIG. 3

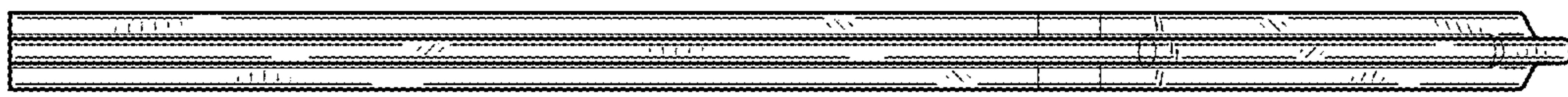


FIG. 4

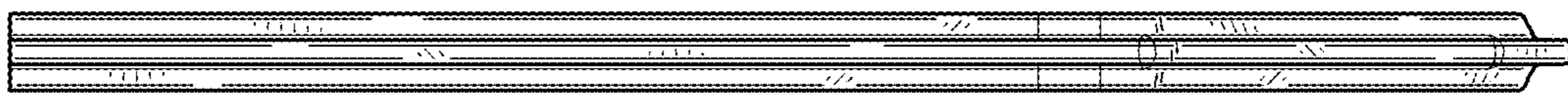


FIG. 5

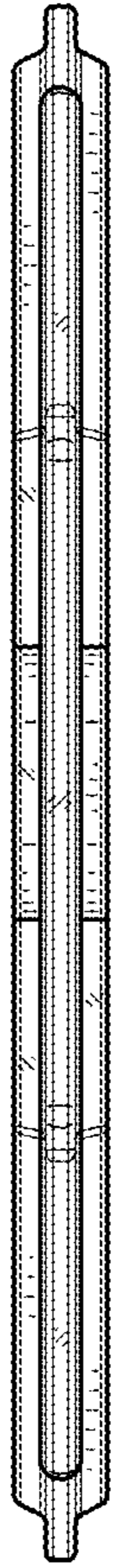


FIG. 6

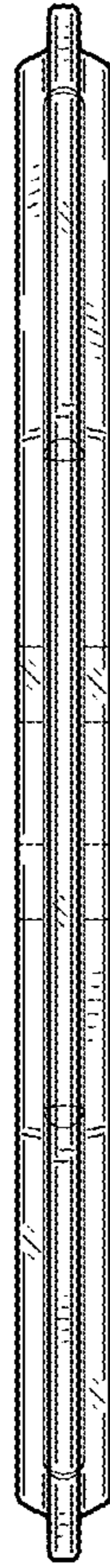


FIG. 7

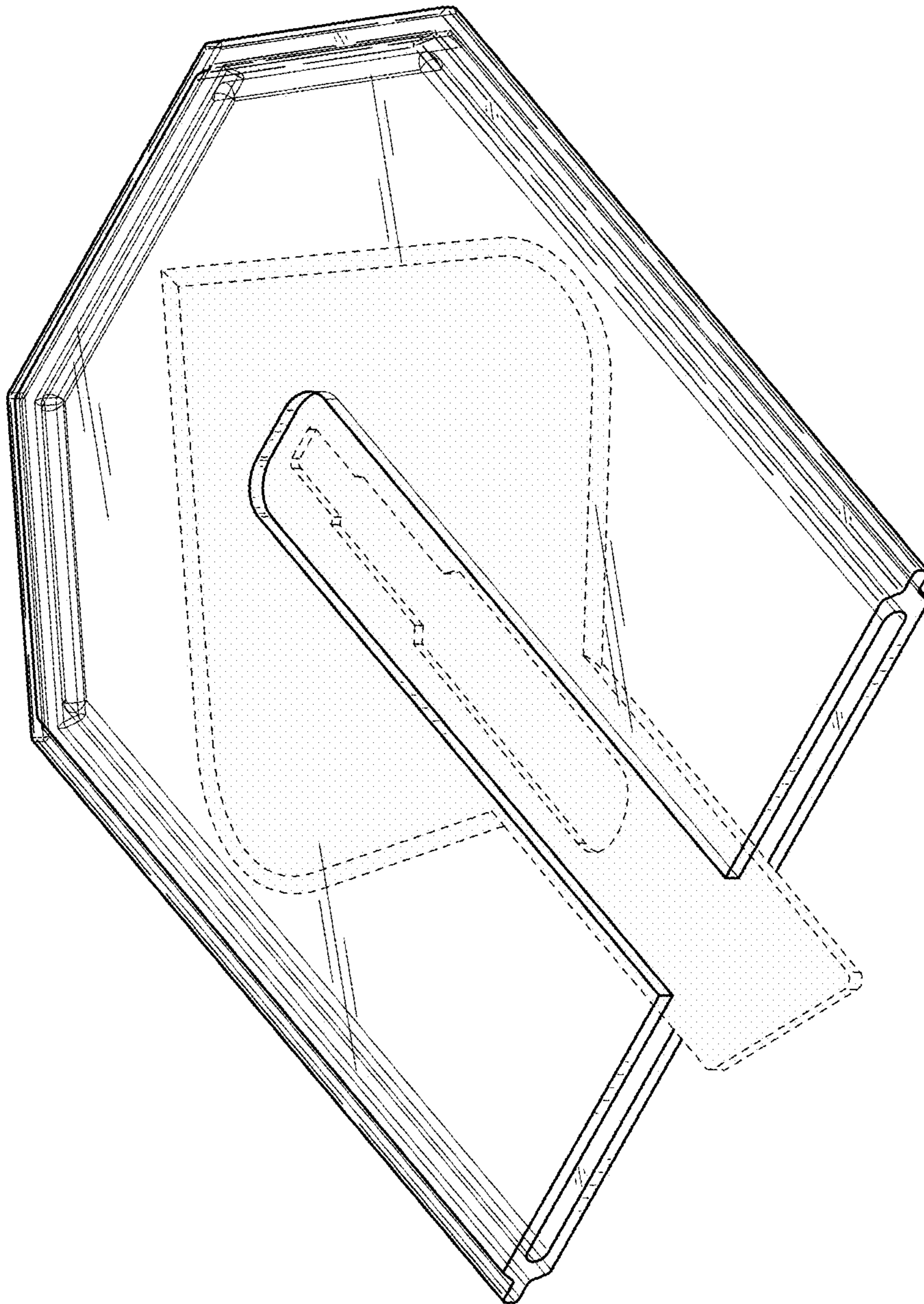


FIG. 8

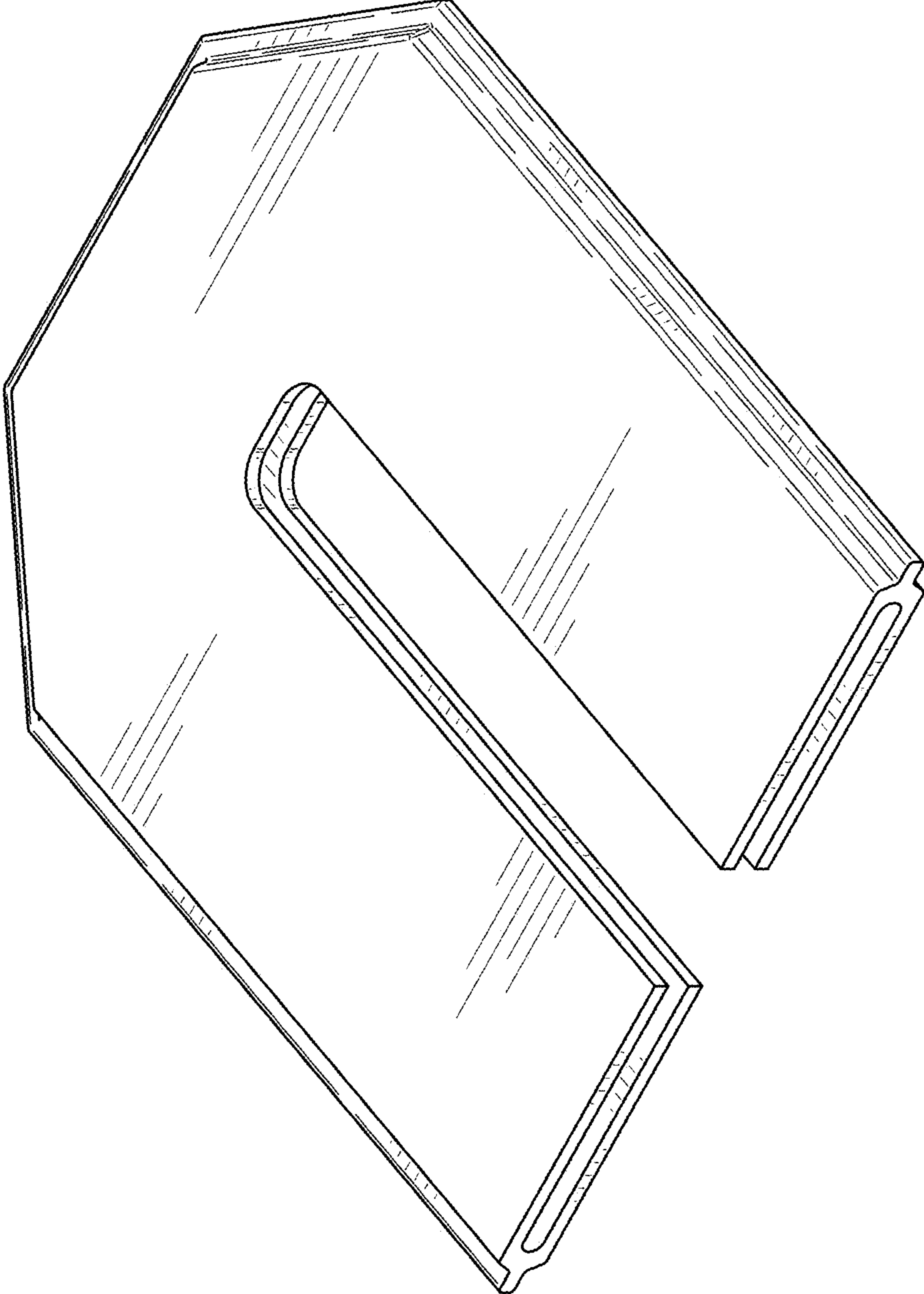


FIG. 9

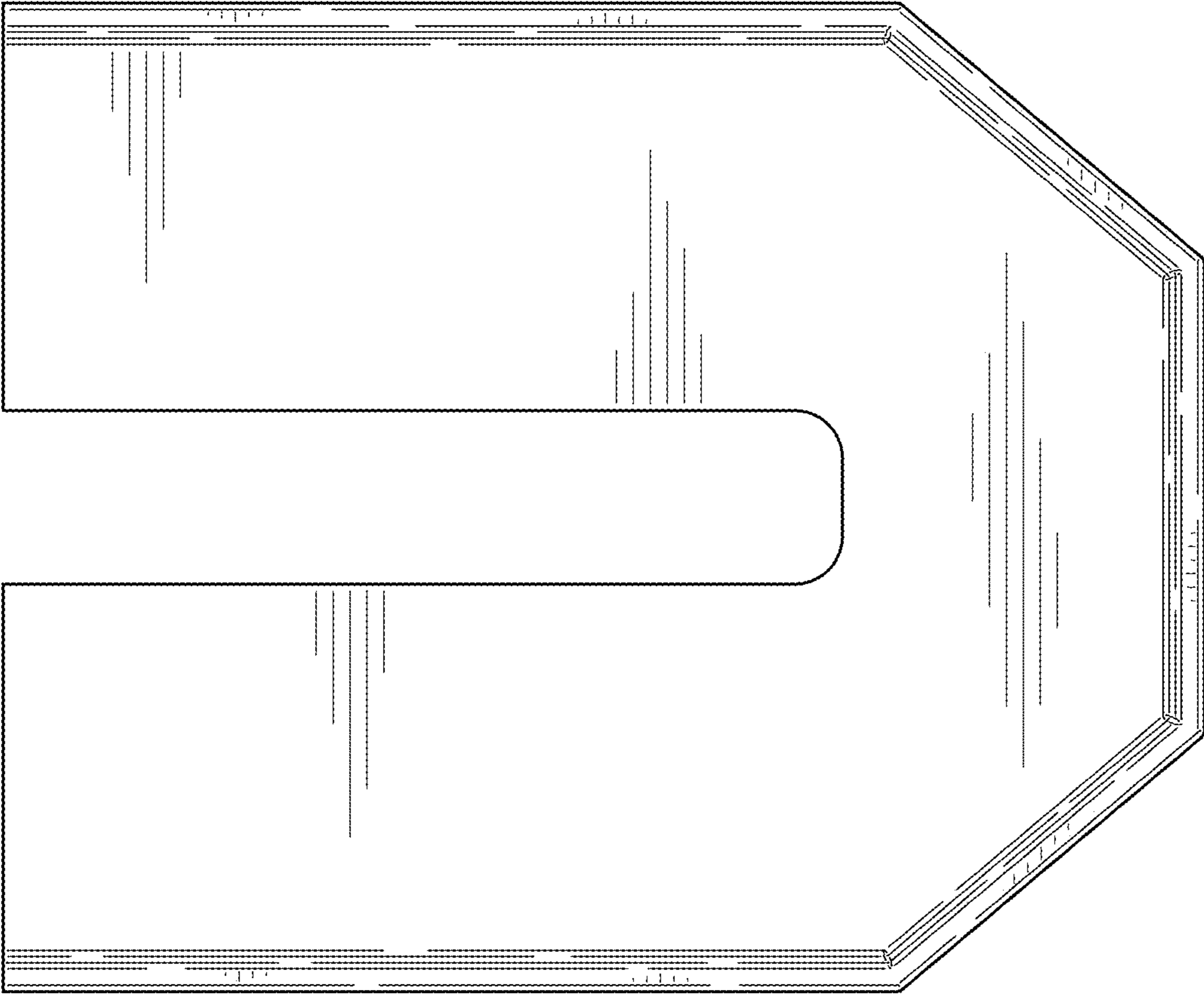


FIG. 11

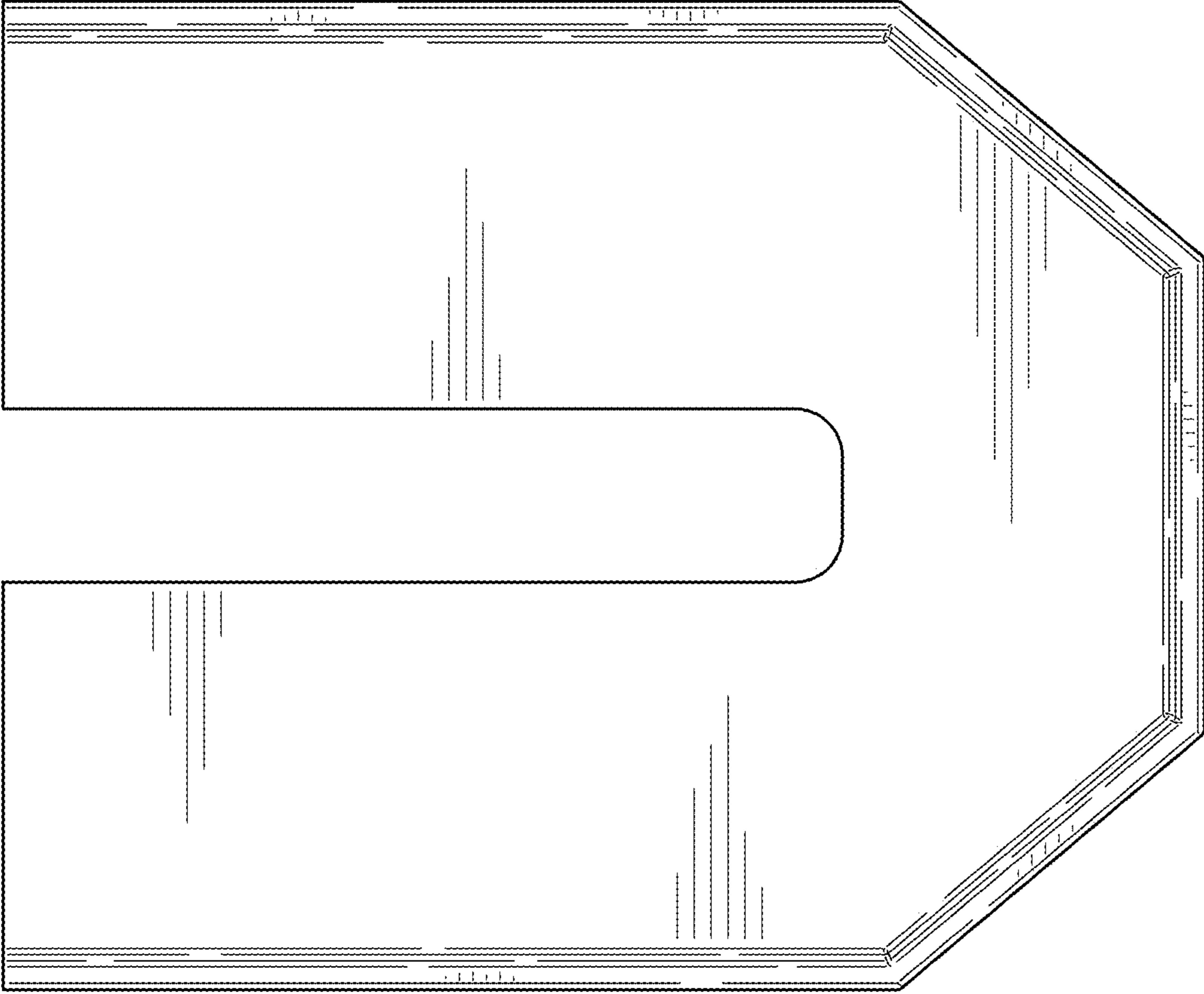


FIG. 10

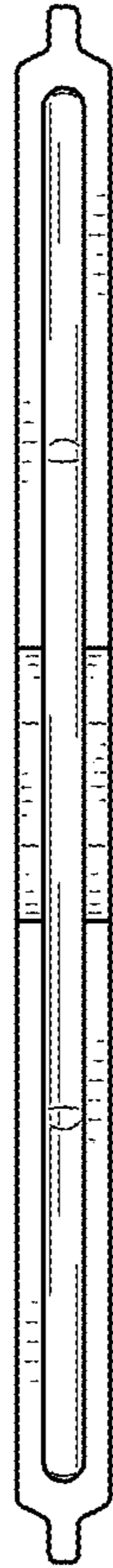


FIG. 14



FIG. 15

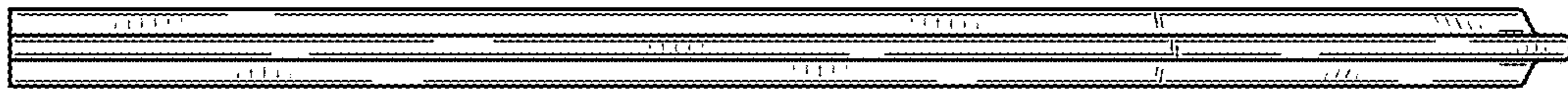


FIG. 13



FIG. 12

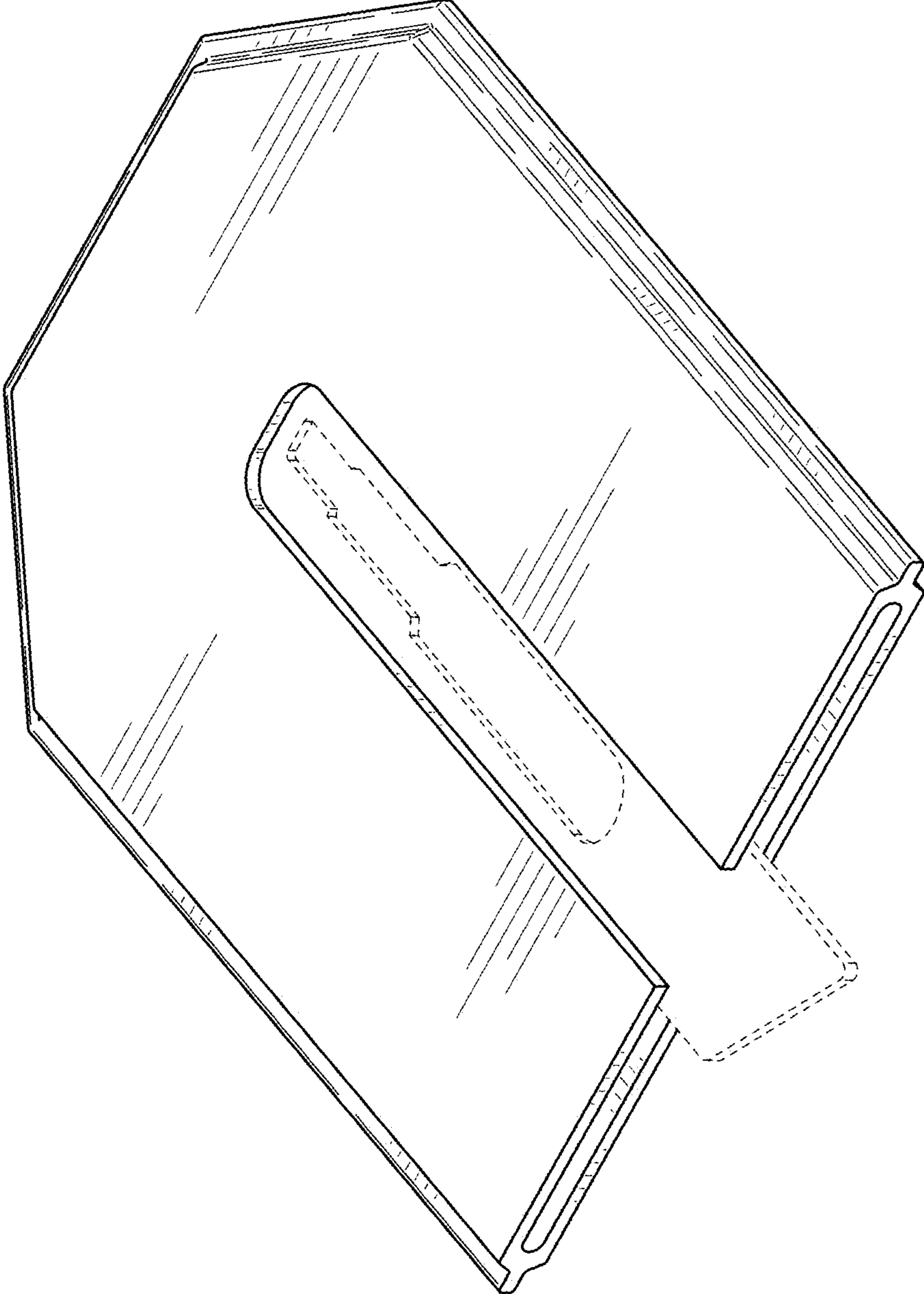


FIG. 16