

US00D978678S

(12) **United States Design Patent** (10) **Patent No.:** **US D978,678 S**
Malone et al. (45) **Date of Patent:** **** Feb. 21, 2023**

(54) **FLEXIBLE POUCH**

- (71) Applicant: **Clear Image, INC.**, El Dorado Hills, CA (US)
- (72) Inventors: **Katherine Malone**, Placerville, CA (US); **Kirk Norman**, El Dorado Hills, CA (US)
- (**) Term: **15 Years**
- (21) Appl. No.: **29/723,757**
- (22) Filed: **Feb. 10, 2020**
- (51) **LOC (14) Cl.** **09-05**
- (52) **U.S. Cl.**
USPC **D9/707**
- (58) **Field of Classification Search**
USPC D9/600, 702-714, 737, 424; D23/215;
D3/211, 270-271.2; D30/155, 160-161;
206/457, 822; 383/123, 127; D20/29-30
CPC B65D 85/00; B65D 75/008; B65D 5/42;
B65D 5/4208; B65D 33/007
See application file for complete search history.

(56) **References Cited**

U.S. PATENT DOCUMENTS

D319,176 S *	8/1991	Sherman	D9/710
D463,265 S *	9/2002	Jones	D9/710
D463,266 S *	9/2002	Zappa	D9/710
D463,267 S *	9/2002	Dennis	D9/710
D463,268 S *	9/2002	Dennis	D9/710
D466,800 S *	12/2002	Jones	D9/710
D781,718 S *	3/2017	Loyd	D9/707
D793,865 S *	8/2017	Bentley	D9/707
D944,096 S *	2/2022	Morgan	D9/707
D944,652 S *	3/2022	Malone	D9/707

FOREIGN PATENT DOCUMENTS

CA 171077 * 9/2001

OTHER PUBLICATIONS

- Apothecary Jar Shaped Pouches Clear. Site visited May 26, 2022. Available from Internet URL: <https://www.clearbags.com/5-1-2-x-2-3-8-x-9-outer-dims-apothecary-jar-shaped-pouch-clear-front-panel-100-pieces-sp3j.html> (Year: 2022).*
- Apothecary Jar Shaped Pouches Frosted. Site visited May 26, 2022. Available from Internet URL: <https://www.clearbags.com/5-1-2-x-2-3-8-x-9-outer-dims-apothecary-jar-shaped-pouch-frosted-front-panel-100-pieces-sp3fj.html> (Year: 2022).*
- Anchor Hocking Heritage Hill Graduated Storage Jar with Glass Lid. Site Visited Jun. 1, 2022. Available from Amazon.com: https://www.amazon.com/Anchor-Hocking-Heritage-Graduated-Storage/dp/B00CE6SM94/ref=sr_1_1_sspa?crd=3QCTBO1T1YEBG&keywords=Anch%E2%80%A6. Apr. 17, 2013 (Year: 2013).*

* cited by examiner

Primary Examiner — Catherine S Posthauer
Assistant Examiner — Joan E. Diehl

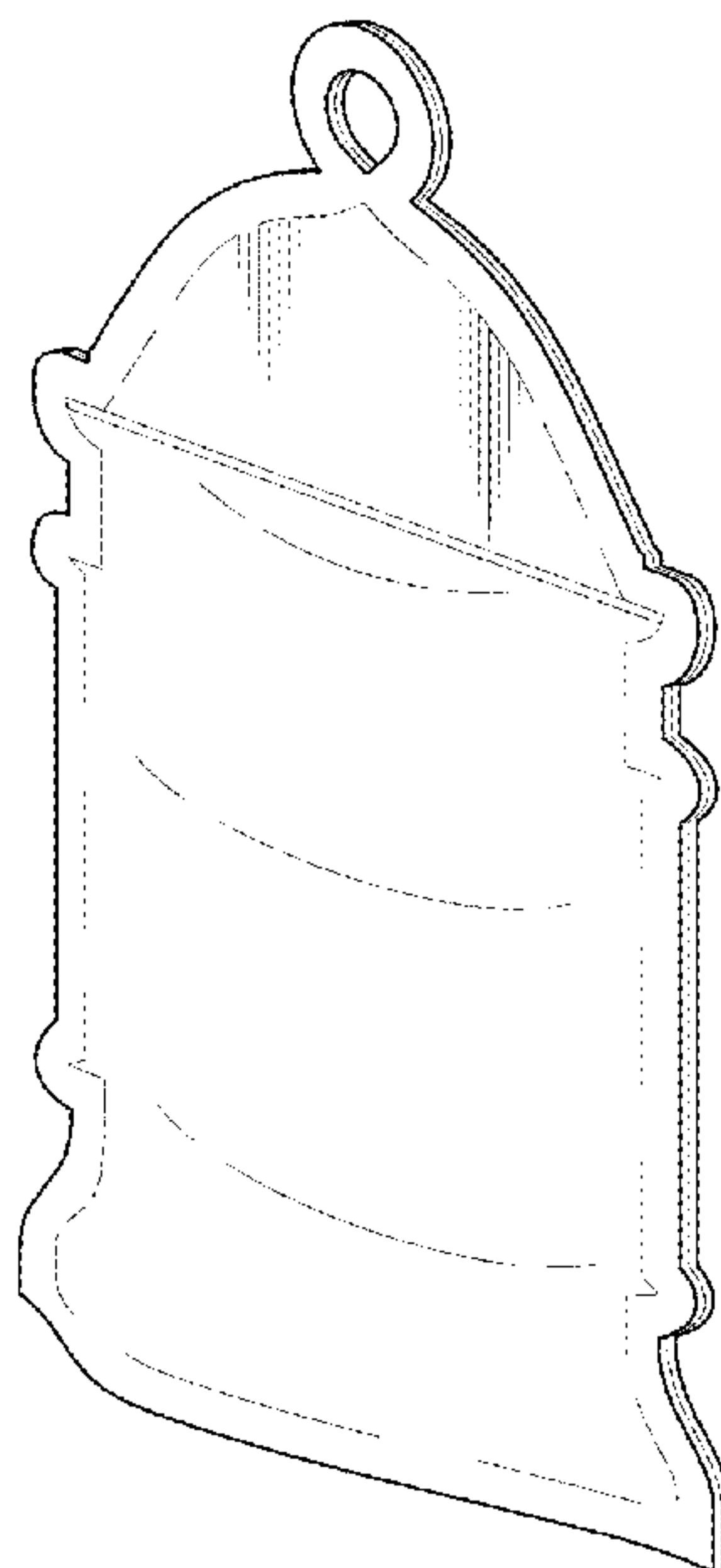
(57) **CLAIM**

The ornamental design for a flexible pouch, as shown and described.

DESCRIPTION

FIG. 1 is a front perspective view of a flexible pouch, showing our new design;
FIG. 2 is a front view thereof;
FIG. 3 is a rear view thereof;
FIG. 4 is a right side elevational view thereof;
FIG. 5 is a left side elevational view thereof;
FIG. 6 is a top view thereof; and,
FIG. 7 is a bottom view thereof.
The dot-dash lines represent the boundaries of the claim and form no part thereof.

1 Claim, 5 Drawing Sheets



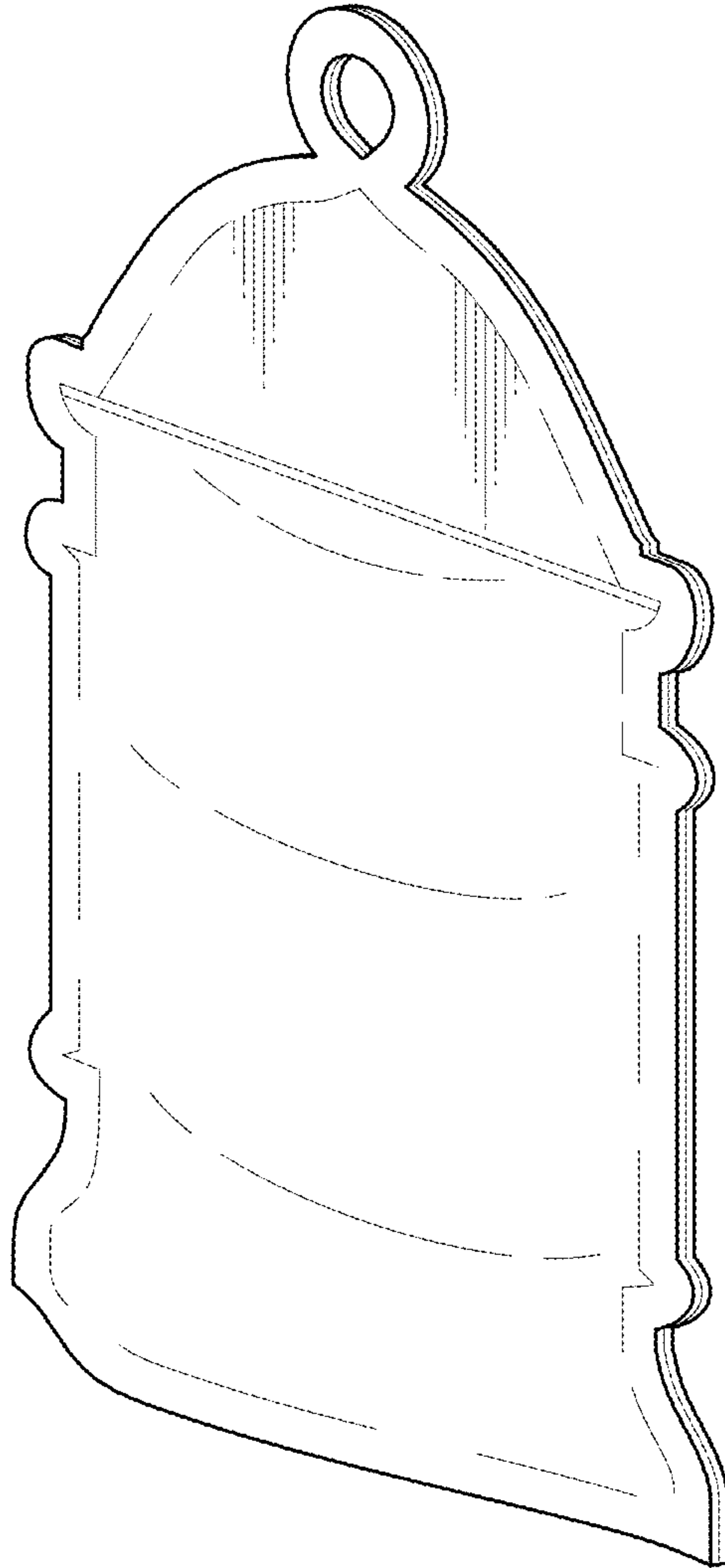


FIG. 1

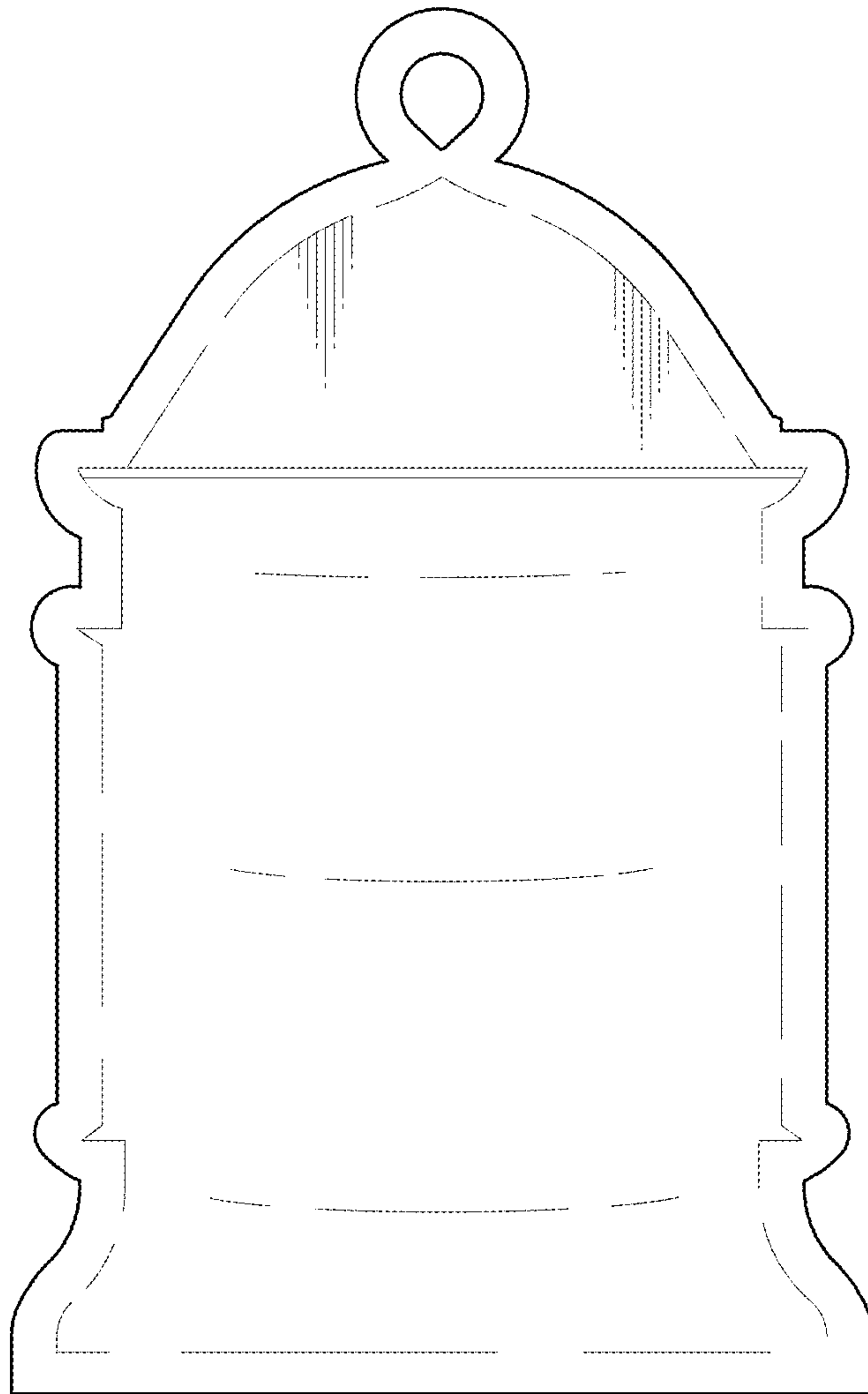


FIG. 2

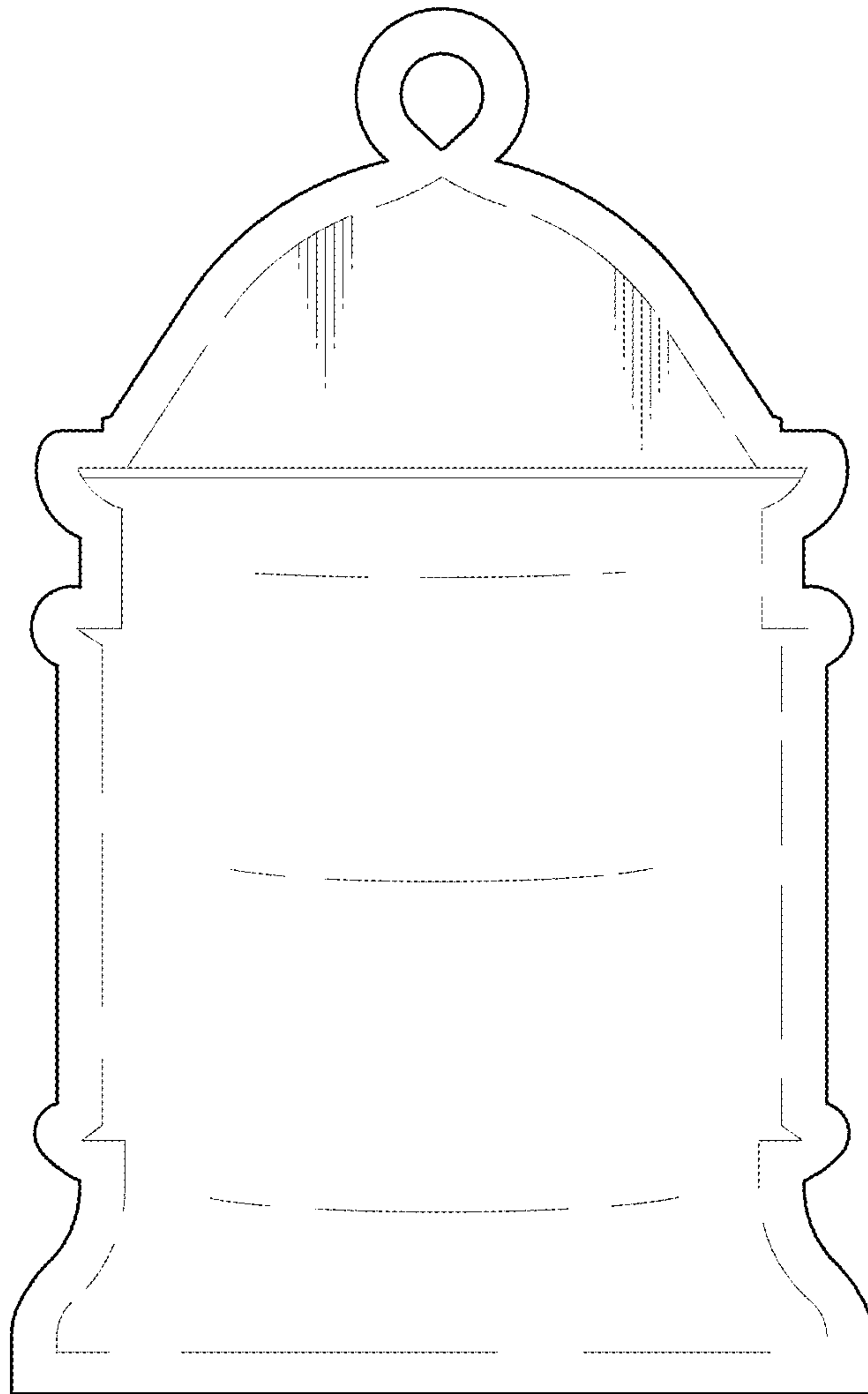


FIG. 3

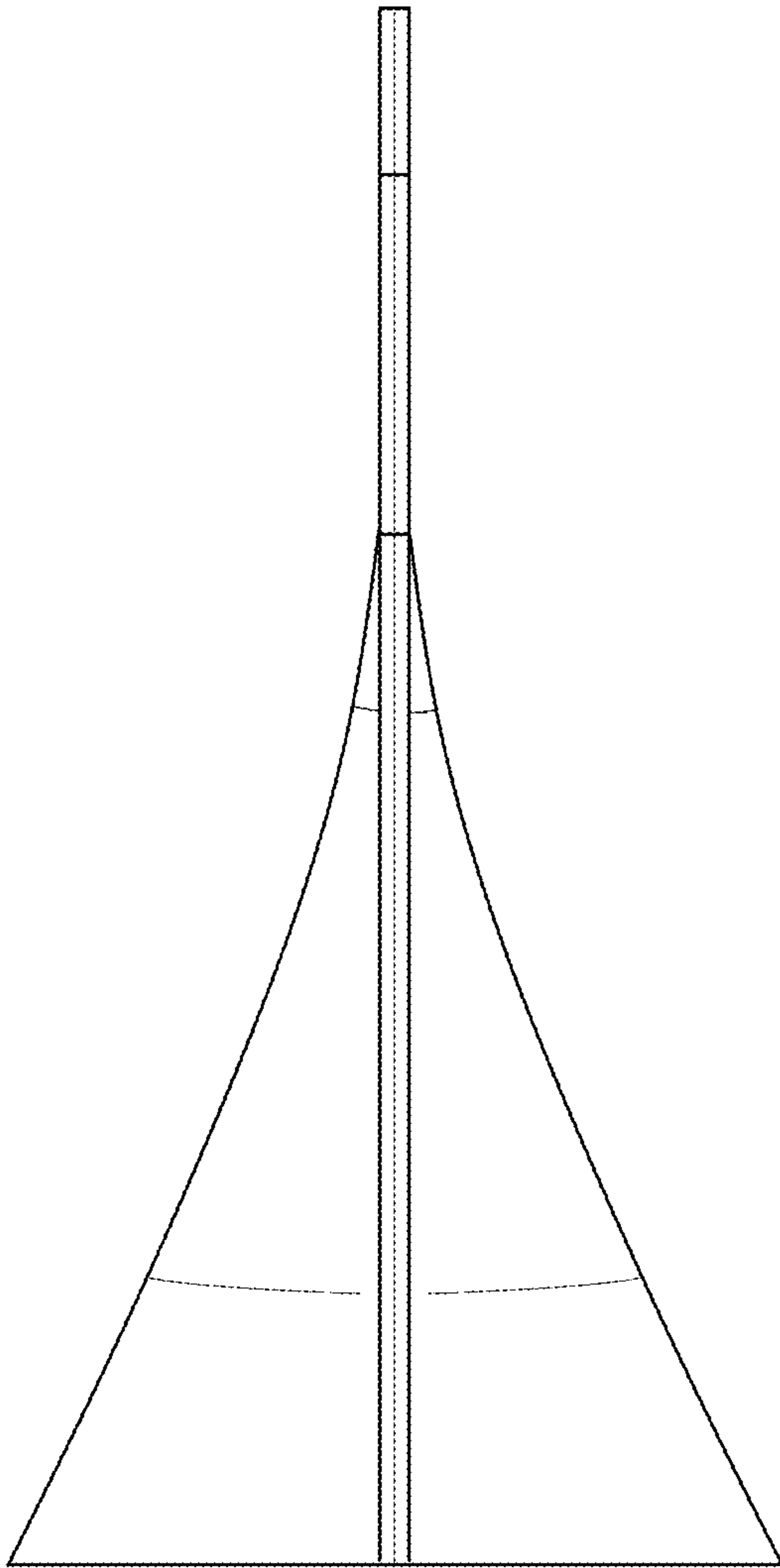


FIG. 4

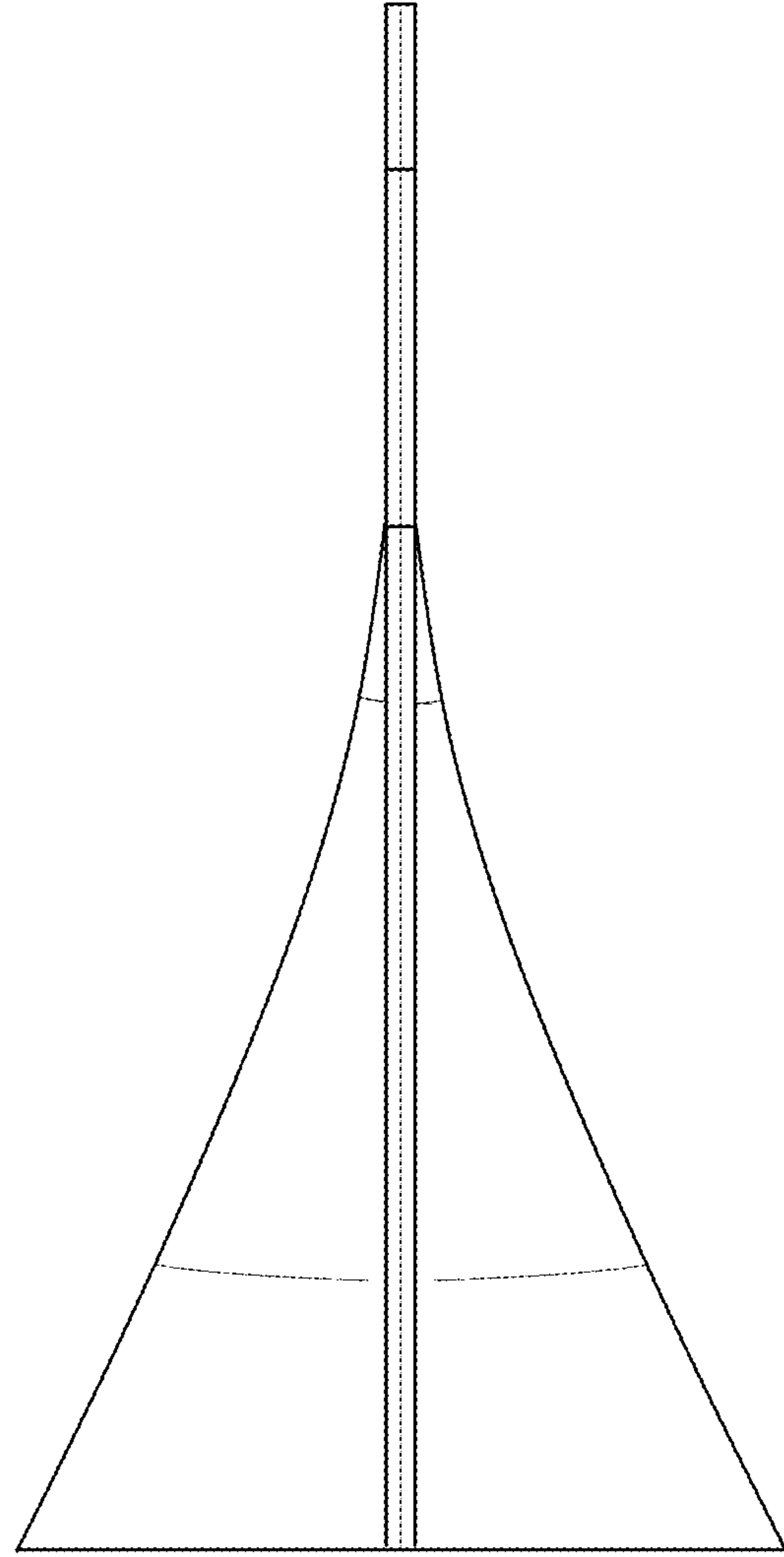


FIG. 5

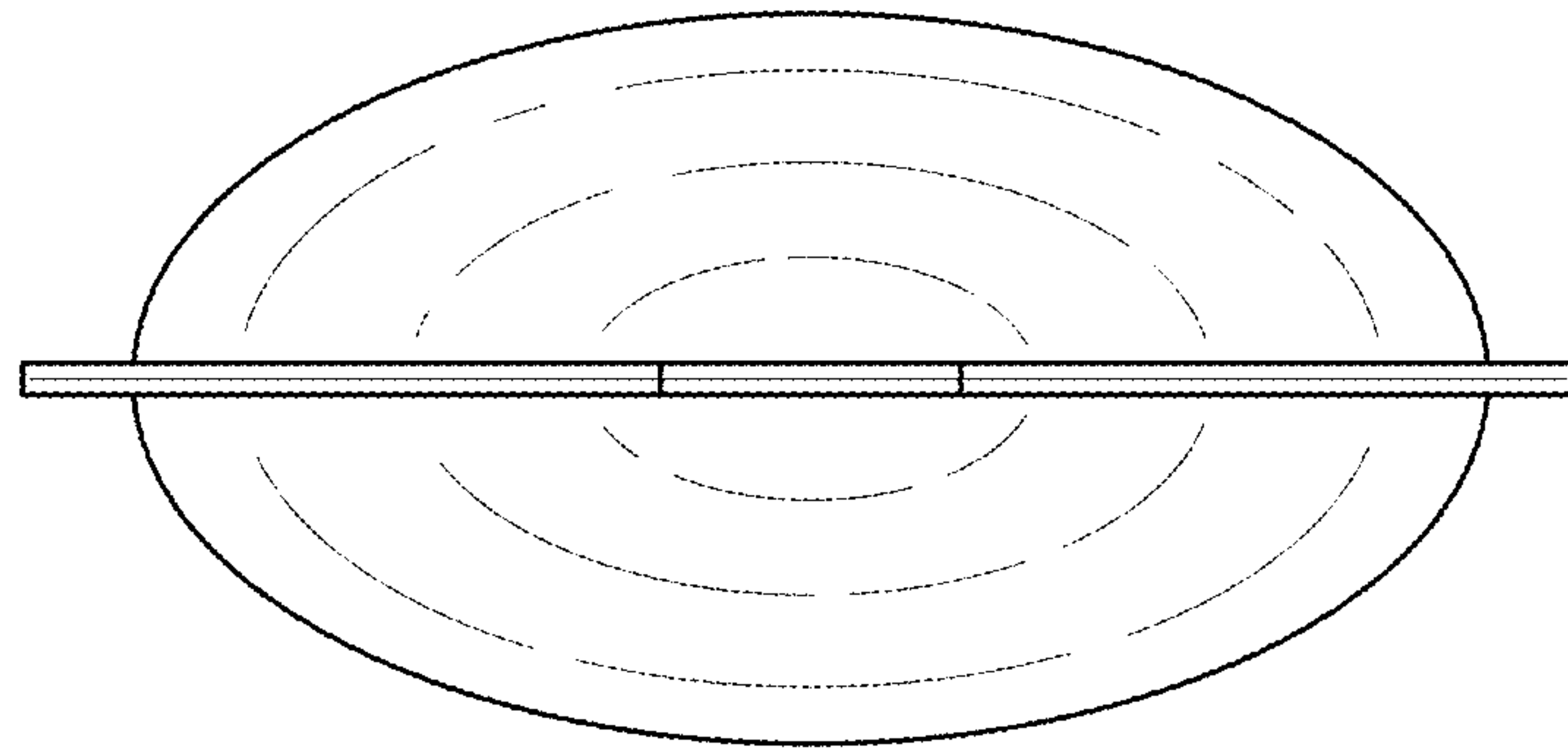


FIG. 6

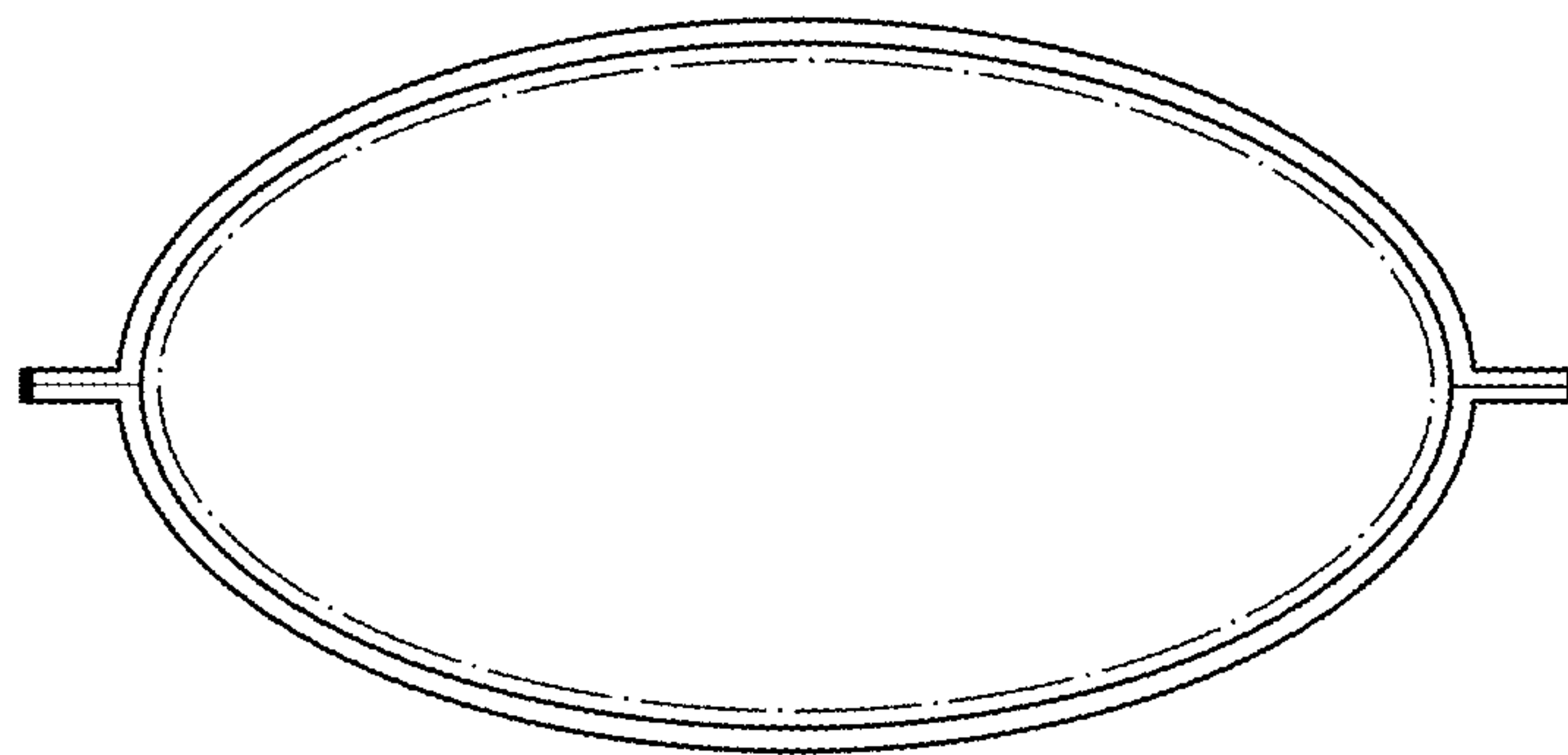


FIG. 7