



US00D978671S

(12) **United States Design Patent** (10) **Patent No.:** **US D978,671 S**
Aboabdo et al. (45) **Date of Patent:** **** Feb. 21, 2023**

(54) **CONTAINER WITH CAP**

(71) Applicant: **Chubby Gorilla, Inc.**, Fullerton, CA (US)

(72) Inventors: **Ibrahiem H. Aboabdo**, Yorba Linda, CA (US); **Eyad Aboabdo**, Fullerton, CA (US)

(73) Assignee: **Chubby Gorilla, Inc.**, Fullerton, CA (US)

(**) Term: **15 Years**

(21) Appl. No.: **29/769,921**

(22) Filed: **Feb. 8, 2021**

(51) **LOC (14) Cl.** **09-01**

(52) **U.S. Cl.**
USPC **D9/529**; D9/549

(58) **Field of Classification Search**
USPC D9/434, 435, 439, 440, 447, 454, 499, D9/500, 516, 520, 521, 525, 529, 544,
(Continued)

(56) **References Cited**

U.S. PATENT DOCUMENTS

D310,736 S * 9/1990 Bakic D28/82
D318,346 S * 7/1991 Bakic D28/82
(Continued)

OTHER PUBLICATIONS

Premium Aluminum Container, Smell Proof Container for Travel, Mini Aluminum Sturdy Storage Jar Locks in Smelly Odor, Airtight & Waterproof, Portable, Pocket-Sized, Airtight, No Smell Container. Online, published date Apr. 2, 2021. Retrieved on Jun. 24, 2022 from URL: https://www.amazon.com/Aluminum-Container-Airtight-W.*

(Continued)

Primary Examiner — Omeed Agilee

(74) *Attorney, Agent, or Firm* — Knobbe Martens Olson & Bear, LLP

(57) **CLAIM**

The ornamental design for a container with cap, as shown and described.

DESCRIPTION

FIG. 1 is a top perspective view of a first embodiment of a container with cap embodying the new design.
FIG. 2 is a front view thereof.
FIG. 3 is a rear view thereof.
FIG. 4 is a first side view thereof.
FIG. 5 is a second side view thereof.
FIG. 6 is a top view thereof.
FIG. 7 is a bottom view thereof.
FIG. 8 is a bottom perspective view thereof.
FIG. 9 is a top perspective view of a second embodiment of a container with cap embodying the new design.
FIG. 10 is a front view thereof.
FIG. 11 is a rear view thereof.
FIG. 12 is a first side view thereof.
FIG. 13 is a second side view thereof.
FIG. 14 is a top view thereof.
FIG. 15 is a bottom view thereof.
FIG. 16 is a bottom perspective view thereof.
FIG. 17 is a top perspective view of a third embodiment of a container with cap embodying the new design.
FIG. 18 is a front view thereof.
FIG. 19 is a rear view thereof.
FIG. 20 is a first side view thereof.
FIG. 21 is a second side view thereof.
FIG. 22 is a top view thereof.
FIG. 23 is a bottom view thereof.
FIG. 24 is a bottom perspective view thereof.
FIG. 25 is a top perspective view of a fourth embodiment of a container with cap embodying the new design.
FIG. 26 is a front view thereof.
FIG. 27 is a rear view thereof.
FIG. 28 is a first side view thereof.
FIG. 29 is a second side view thereof.
FIG. 30 is a top view thereof.

(Continued)

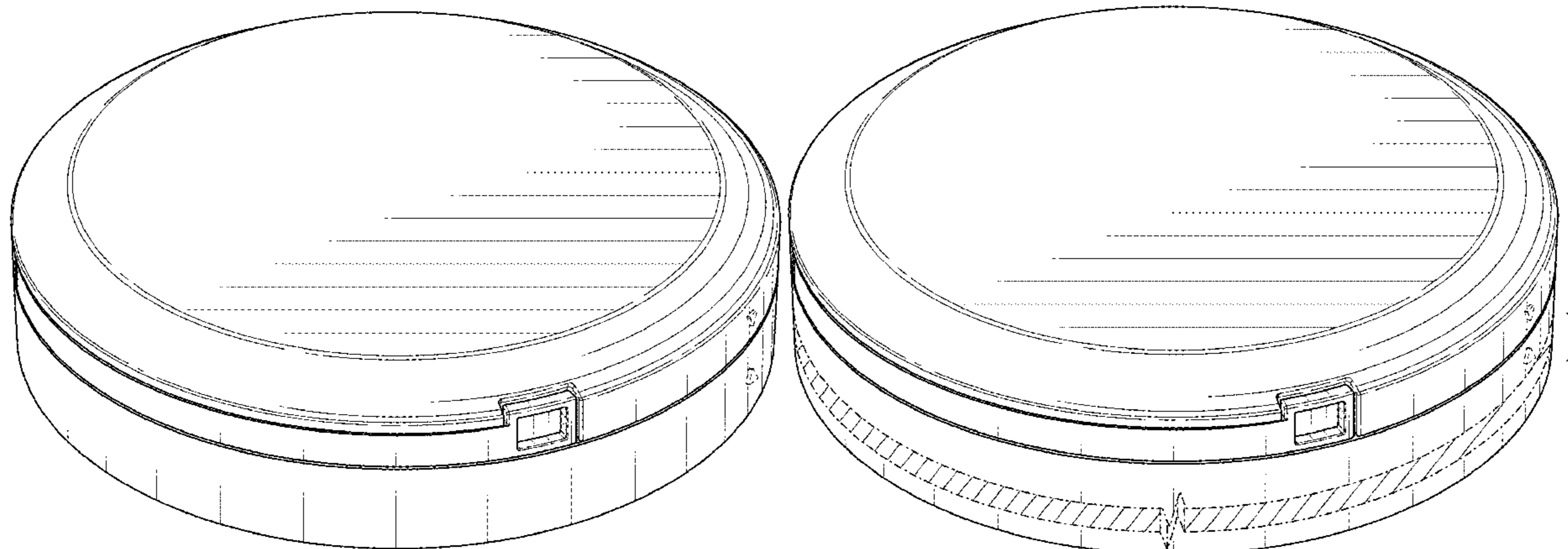


FIG. 31 is a bottom view thereof.
 FIG. 32 is a bottom perspective view thereof.
 FIG. 33 is a top perspective view of a fifth embodiment of a container with cap embodying the new design.
 FIG. 34 is a front view thereof.
 FIG. 35 is a rear view thereof.
 FIG. 36 is a first side view thereof.
 FIG. 37 is a second side view thereof.
 FIG. 38 is a top view thereof.
 FIG. 39 is a bottom view thereof.
 FIG. 40 is a bottom perspective view thereof.
 FIG. 41 is a top perspective view of a sixth embodiment of a container with cap embodying the new design.
 FIG. 42 is a front view thereof.
 FIG. 43 is a rear view thereof.
 FIG. 44 is a first side view thereof.
 FIG. 45 is a second side view thereof.
 FIG. 46 is a top view thereof.
 FIG. 47 is a bottom view thereof; and,
 FIG. 48 is a bottom perspective view thereof.
 The dot-dash lines in the drawings illustrate symbolic breaks. The appearance of any portion of the article between the break lines forms no part of the claimed design.
 The dashed lines in the drawings depict portions of the container with cap that form no part of the claimed design.

1 Claim, 38 Drawing Sheets

(58) **Field of Classification Search**

USPC D9/549–558, 572, 575, 723–724, 734;
 D3/202, 215, 316; D7/509, 510, 590,
 D7/608; D28/82
 CPC B65D 35/28; B65D 35/04; B65D 35/08;
 B65D 35/36; B65D 35/38; B65D 5/001;
 B65D 2543/00296; B65D 2543/00685;

B65D 2543/00555; B65D 79/005; B65D
 25/42; B65D 1/04; B65D 21/0231; B65D
 81/3205; B65D 1/40; B65D 51/18; A01K
 27/00

See application file for complete search history.

(56)

References Cited

U.S. PATENT DOCUMENTS

D322,760	S	*	12/1991	Blanchette	D9/454
5,205,431	A	*	4/1993	Zinnbauer	A45D 40/22 220/264
D441,144	S	*	4/2001	Vanoncini	D28/82
D460,218	S	*	7/2002	Thorpe	D28/82
D498,678	S	*	11/2004	Ames	D9/549
D507,078	S	*	7/2005	Greenfield	D28/82
D521,381	S	*	5/2006	Hicks	D9/449
D521,866	S	*	5/2006	Hicks	D9/449
D562,684	S	*	2/2008	Brashear	D9/454
D609,568	S	*	2/2010	Mazurkiewicz	D9/449
D697,674	S	*	1/2014	You	D28/82
D711,250	S	*	8/2014	Henriksson	D9/504
D756,222	S	*	5/2016	Lopez	D9/434
D756,790	S	*	5/2016	Henriksson	D9/504
D773,302	S	*	12/2016	Henriksson	D9/504
D846,195	S	*	4/2019	Kang	D28/82
D885,919	S	*	6/2020	Beardsall	D9/503
D907,501	S	*	1/2021	Aboabdo	D9/503
D916,496	S	*	4/2021	Kim	D6/534
D927,302	S	*	8/2021	Defois	D9/449
D933,301	S	*	10/2021	Lee	D28/82
2021/0022474	A1	*	1/2021	Cho	A45D 33/24

OTHER PUBLICATIONS

Plain Food Container. Online, published date unknown. Retrieved on Jun. 24, 2022 from URL: <https://www.indiamart.com/proddetail/food-container-16148476088.html>.*

* cited by examiner

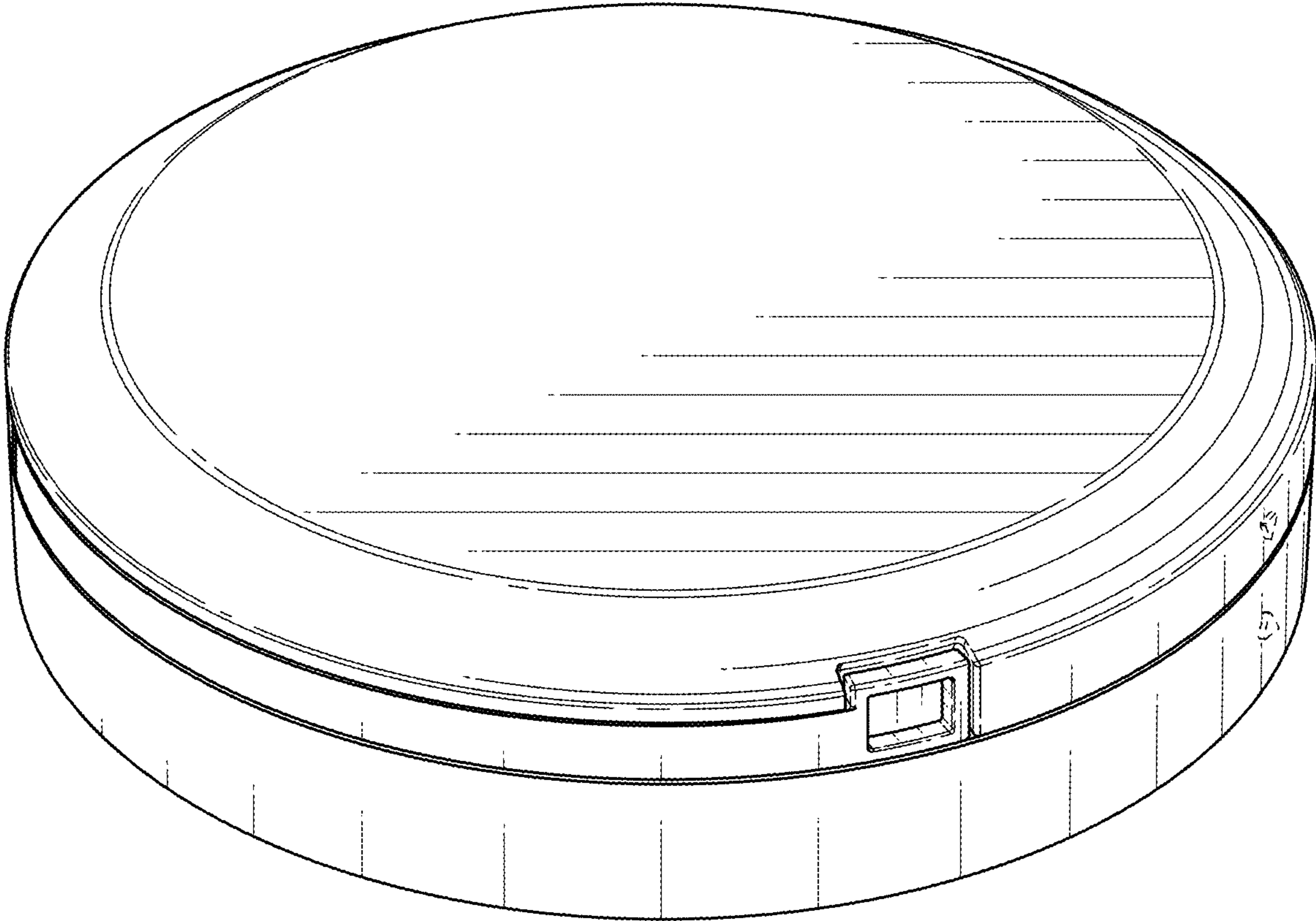


FIG. 1

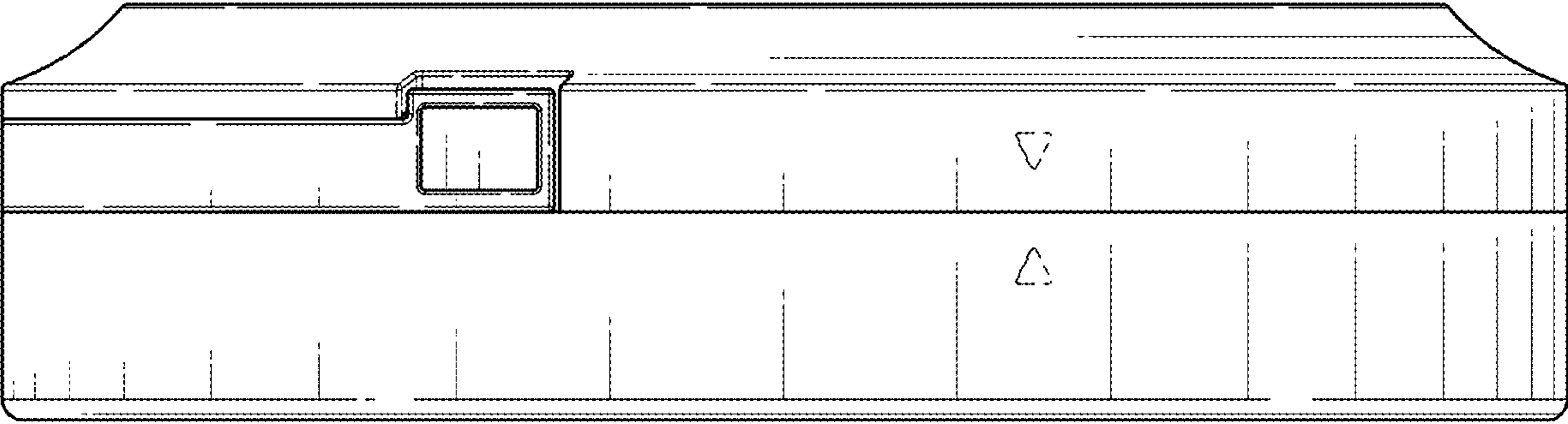


FIG. 2

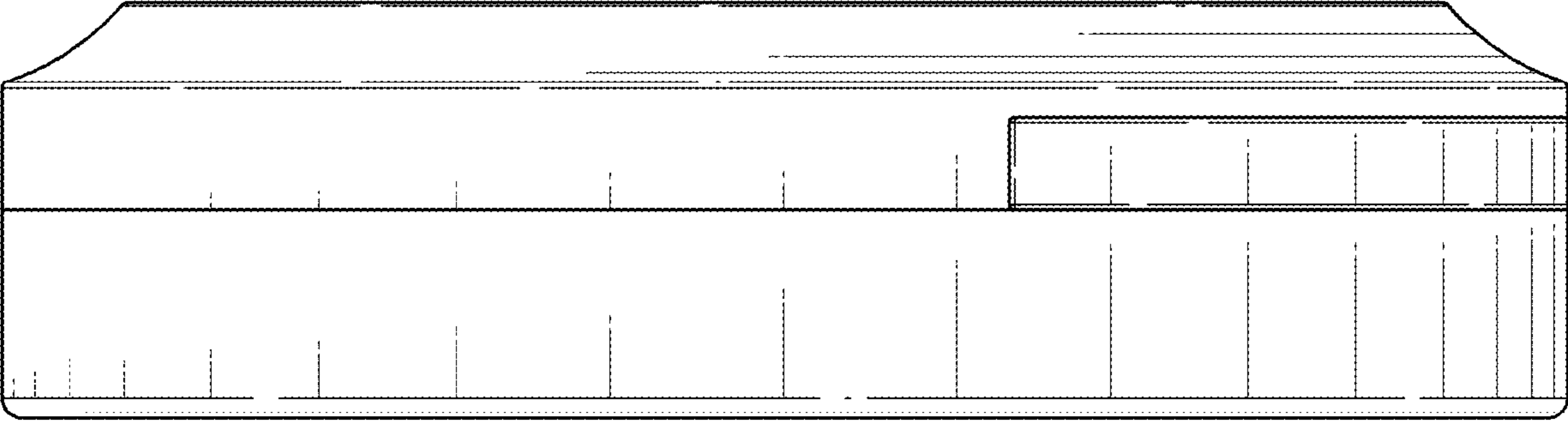


FIG. 3

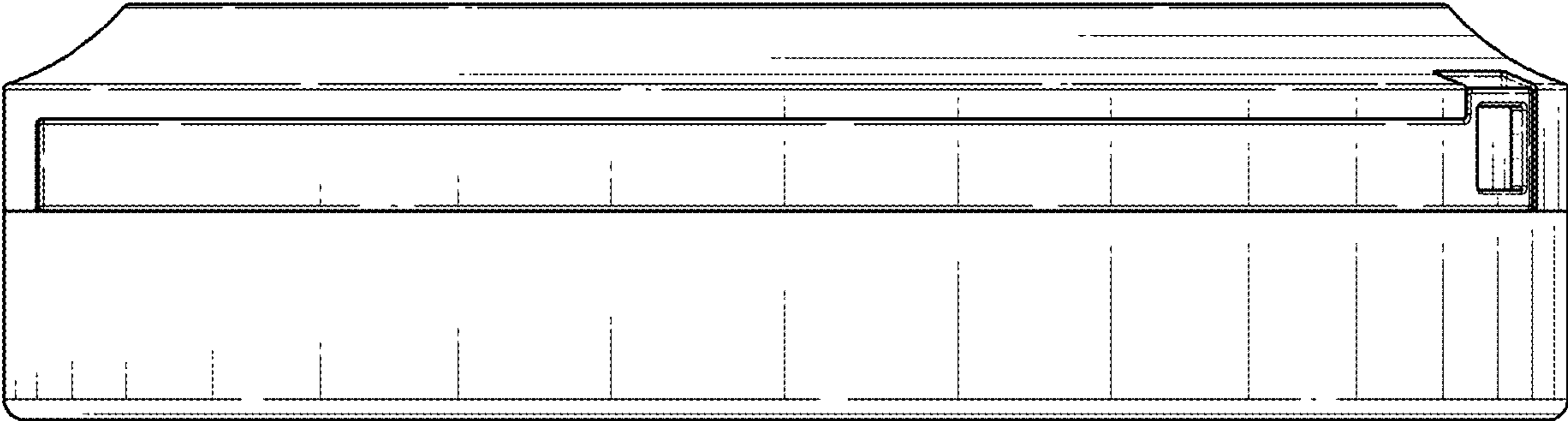


FIG. 4

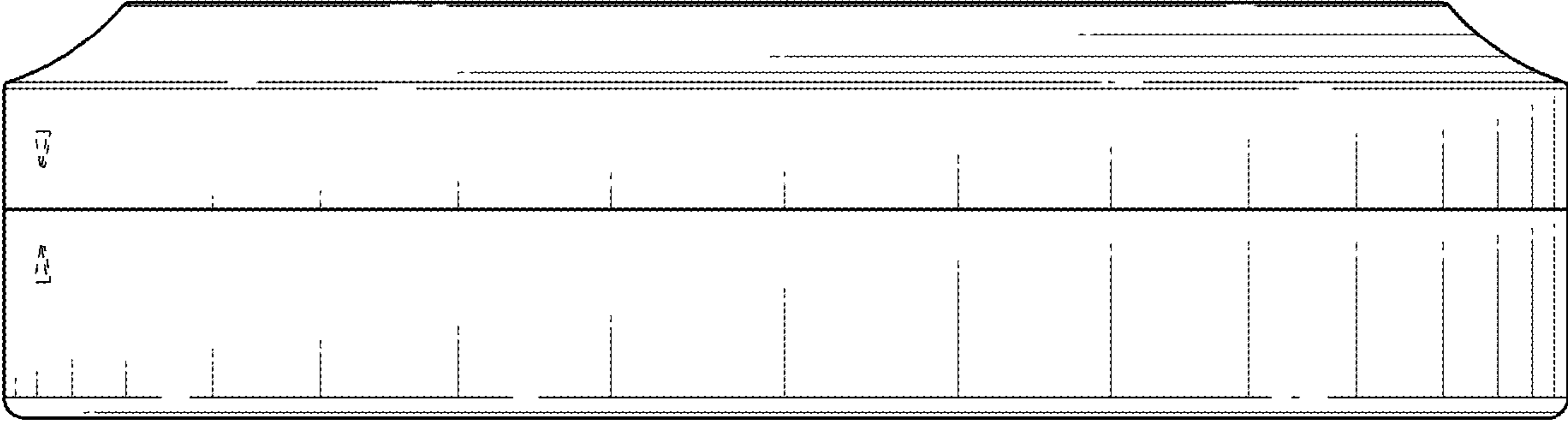


FIG. 5

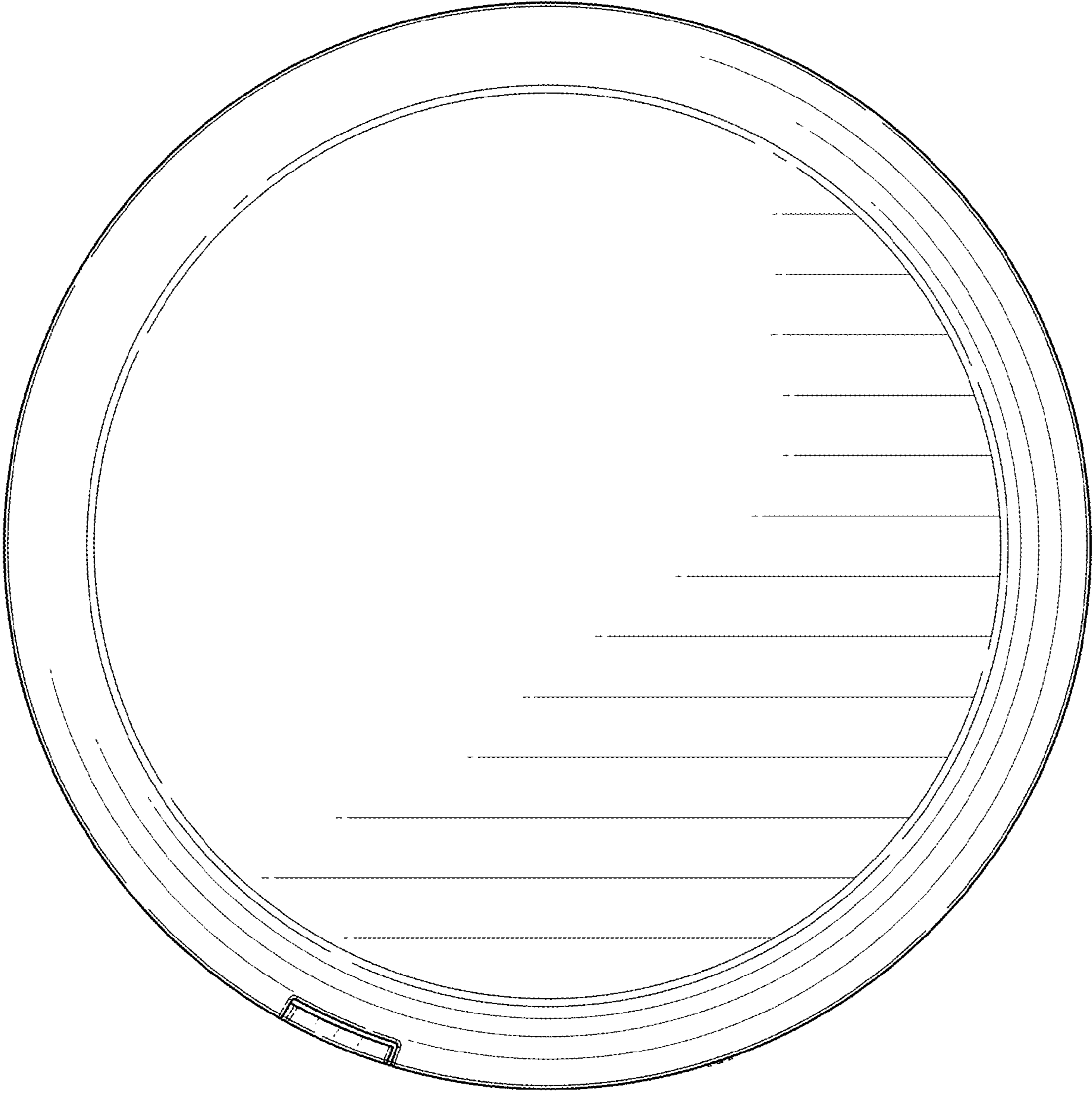


FIG. 6

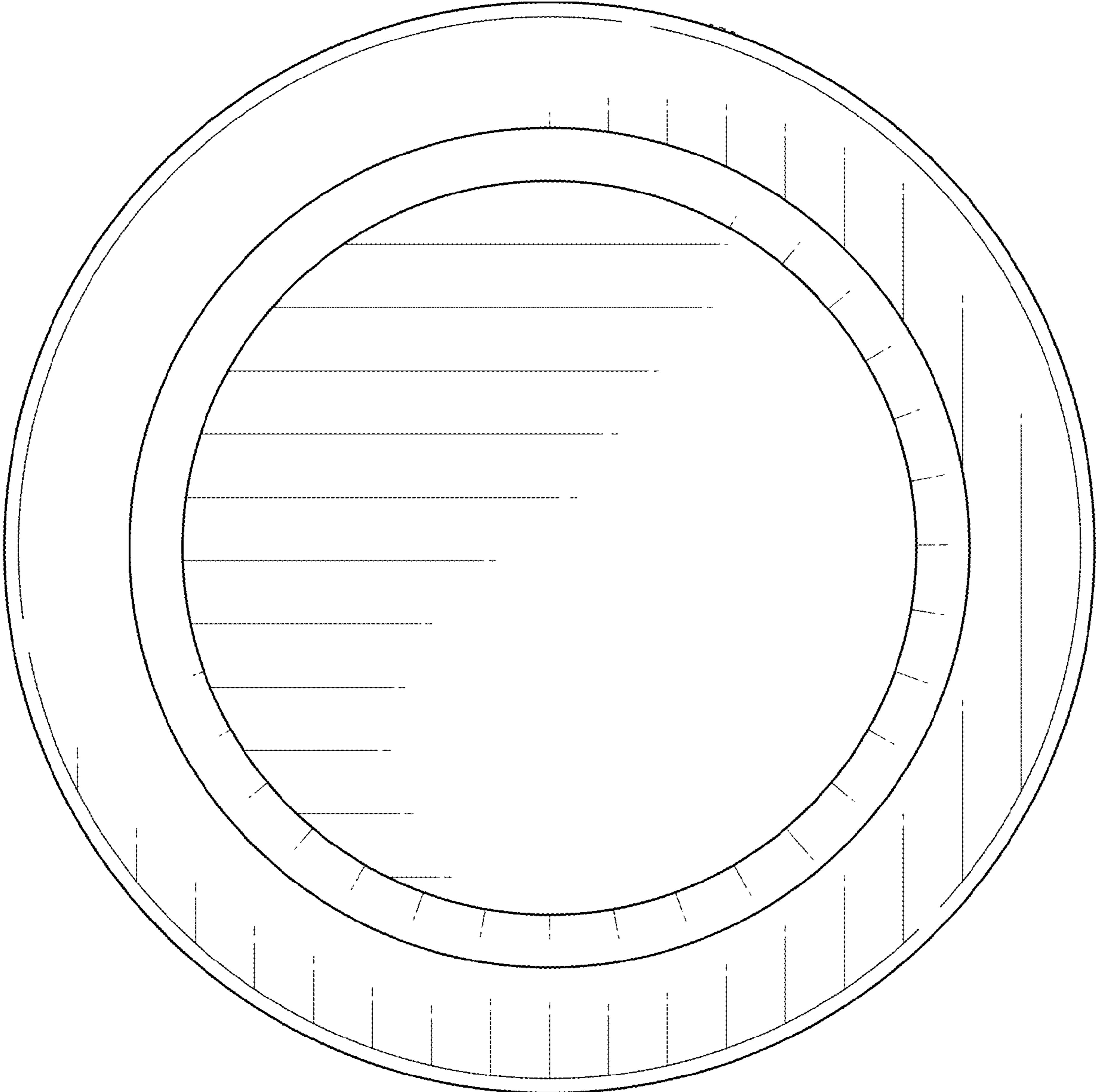


FIG. 7

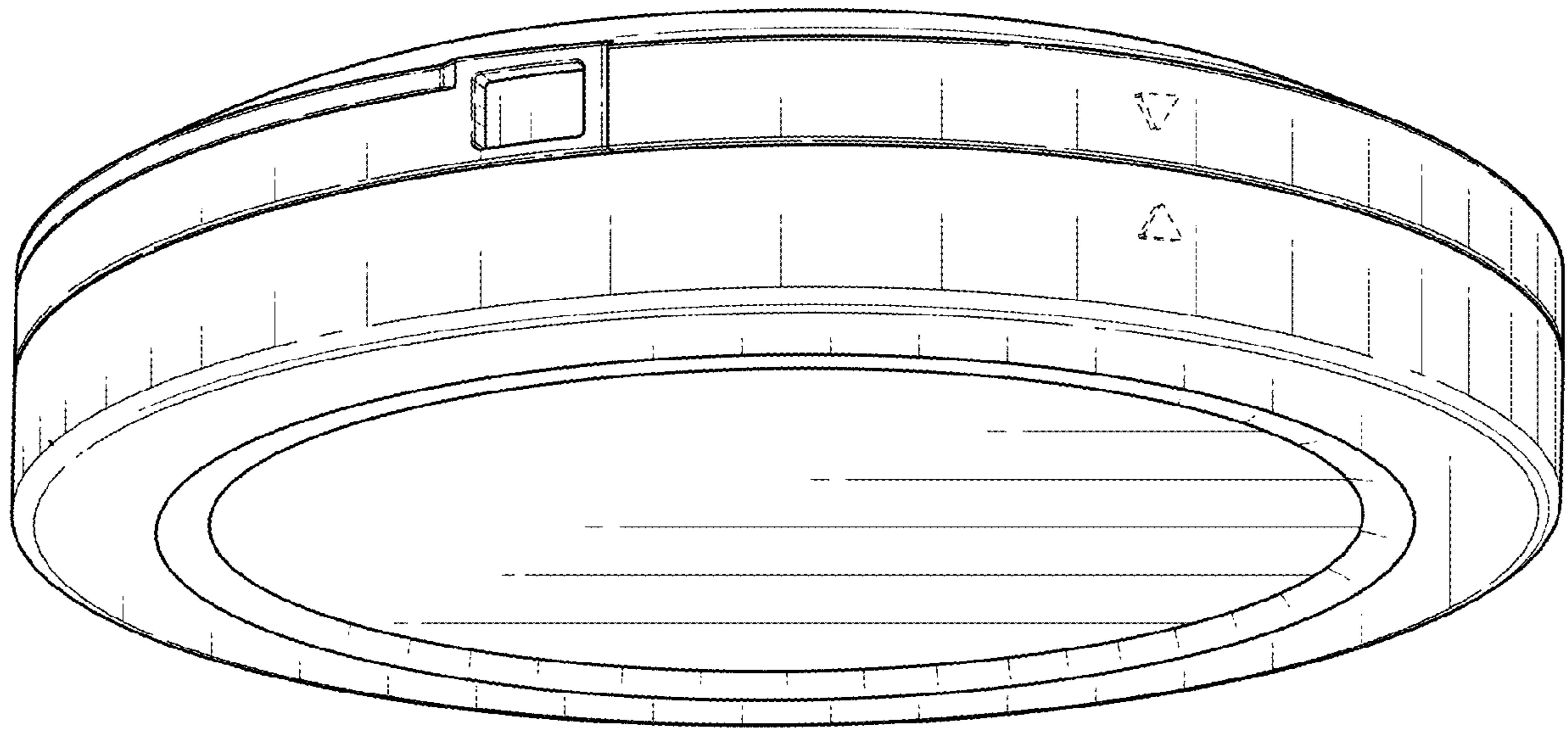


FIG. 8

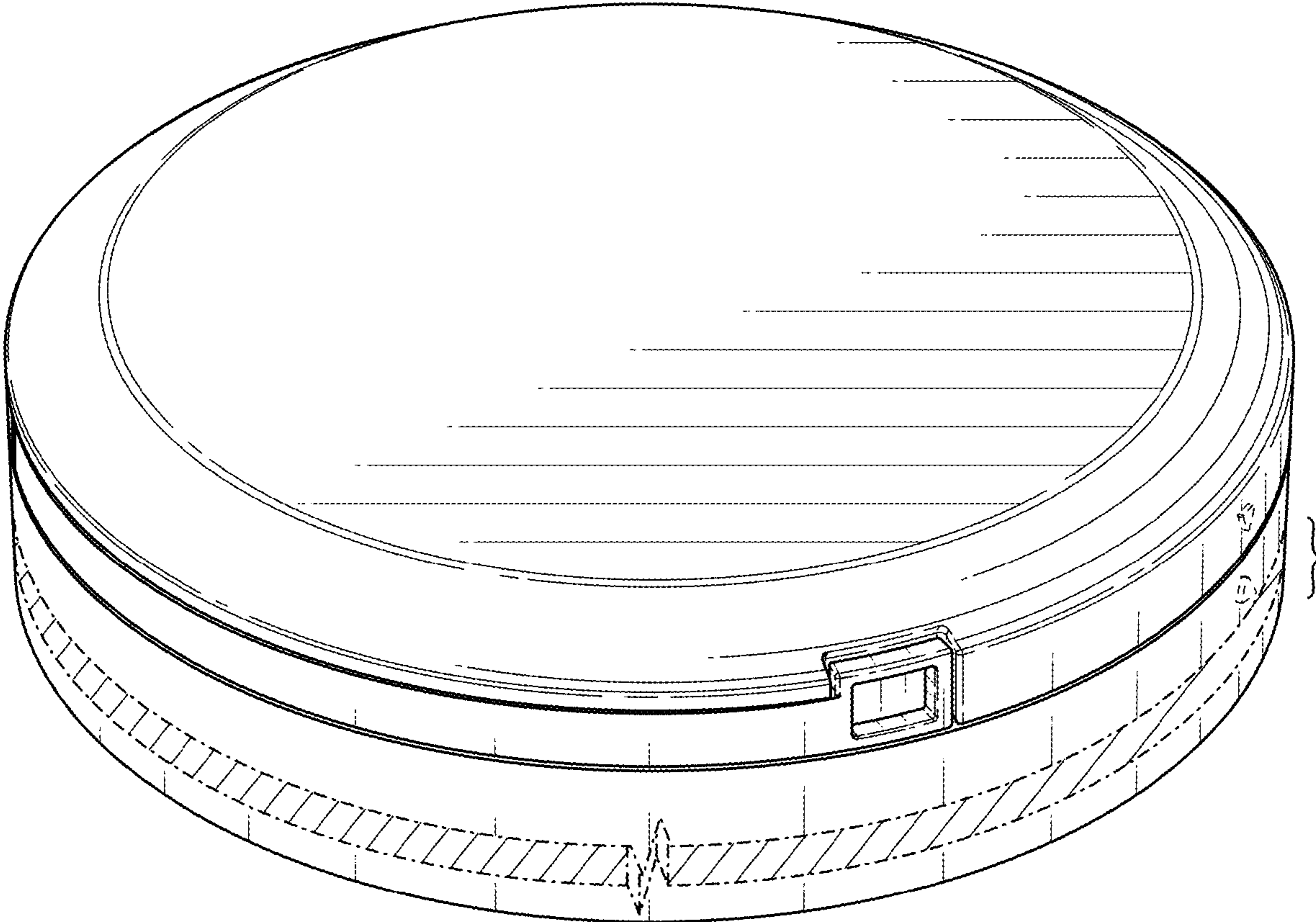


FIG. 9

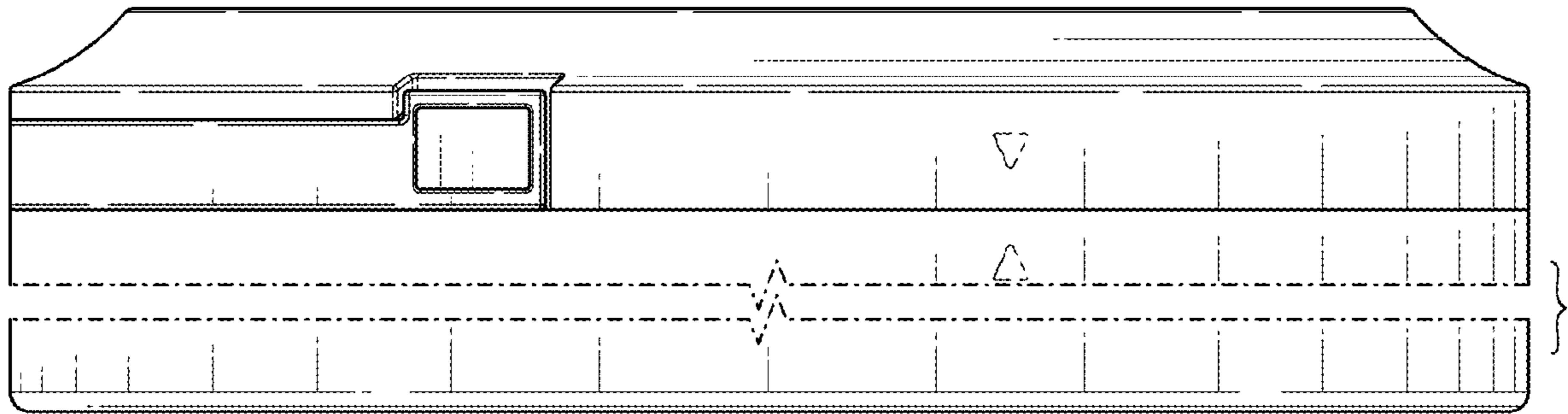


FIG. 10

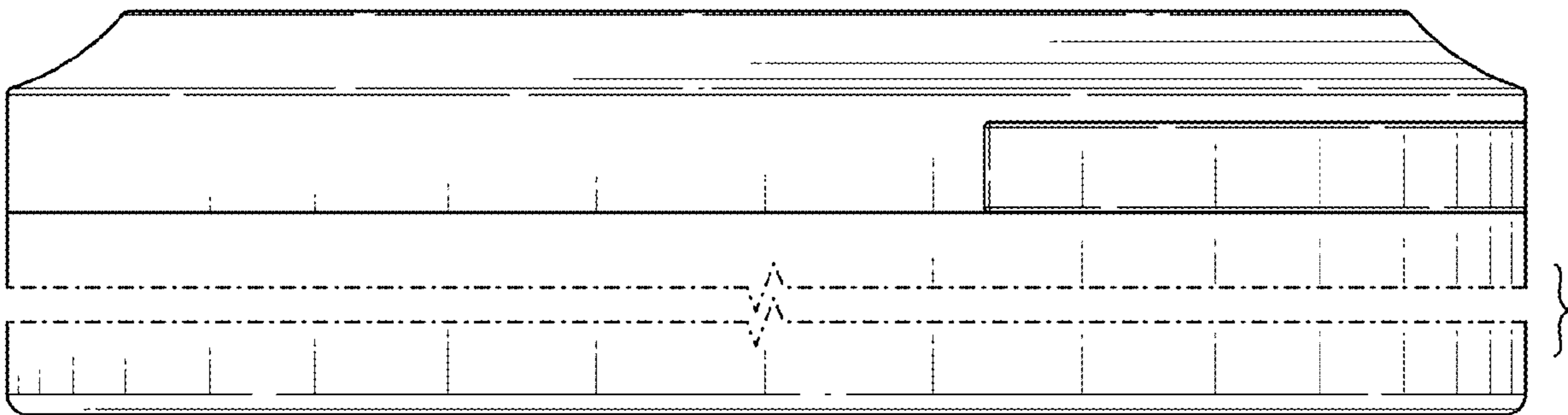


FIG. 11

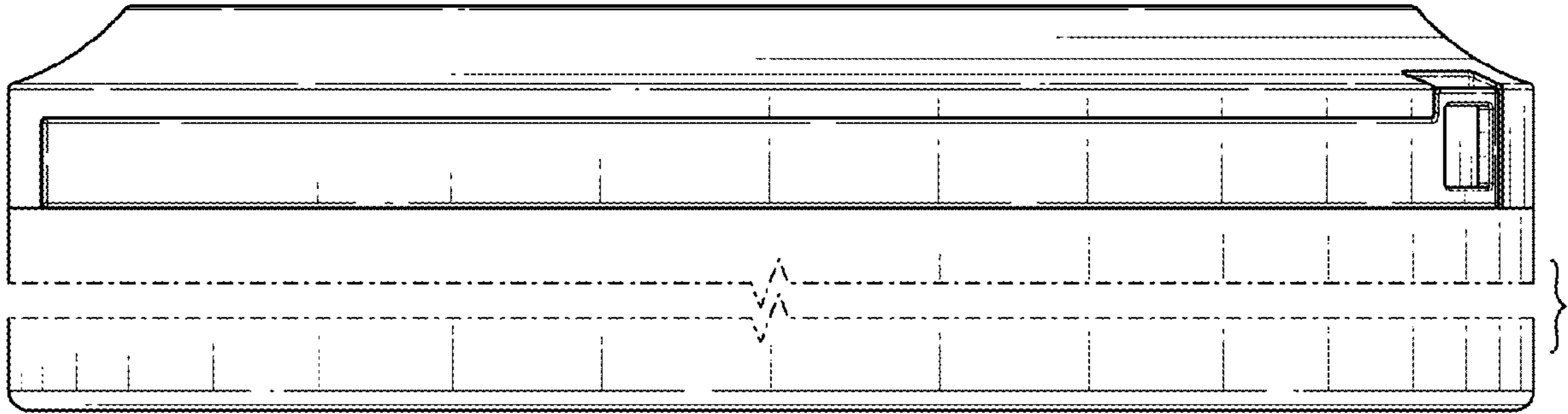


FIG. 12

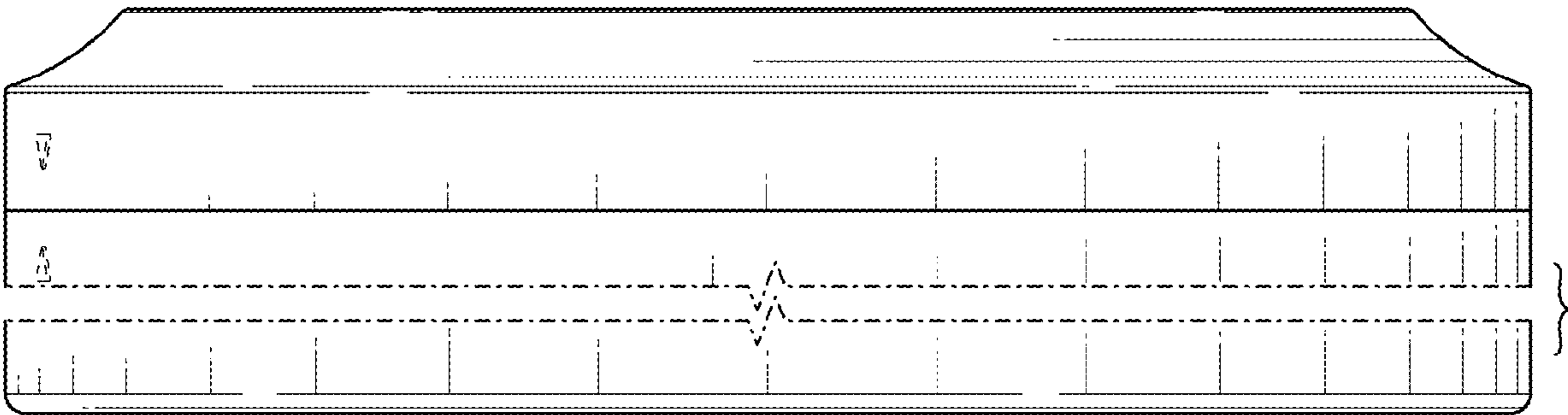


FIG. 13

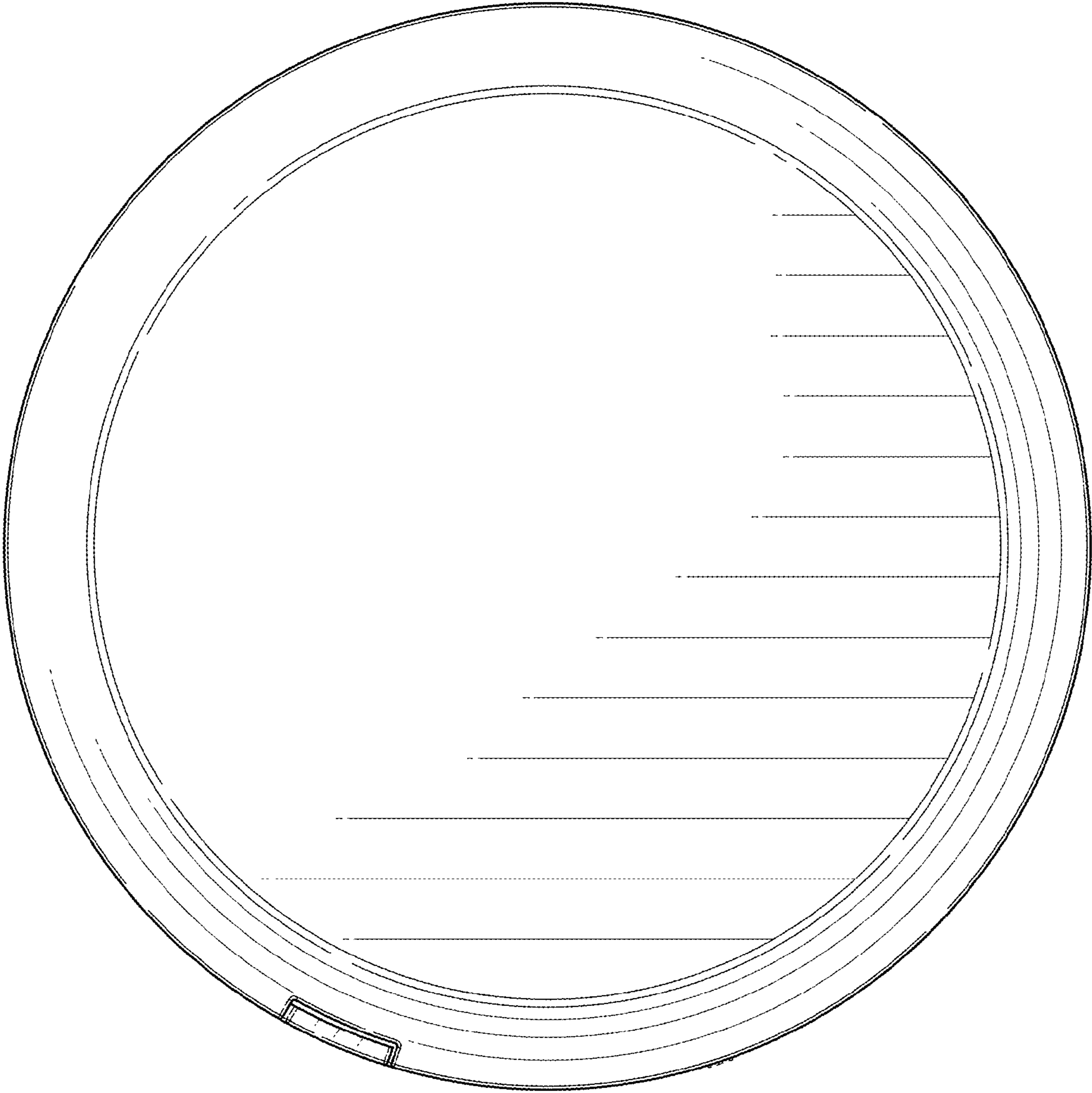


FIG. 14

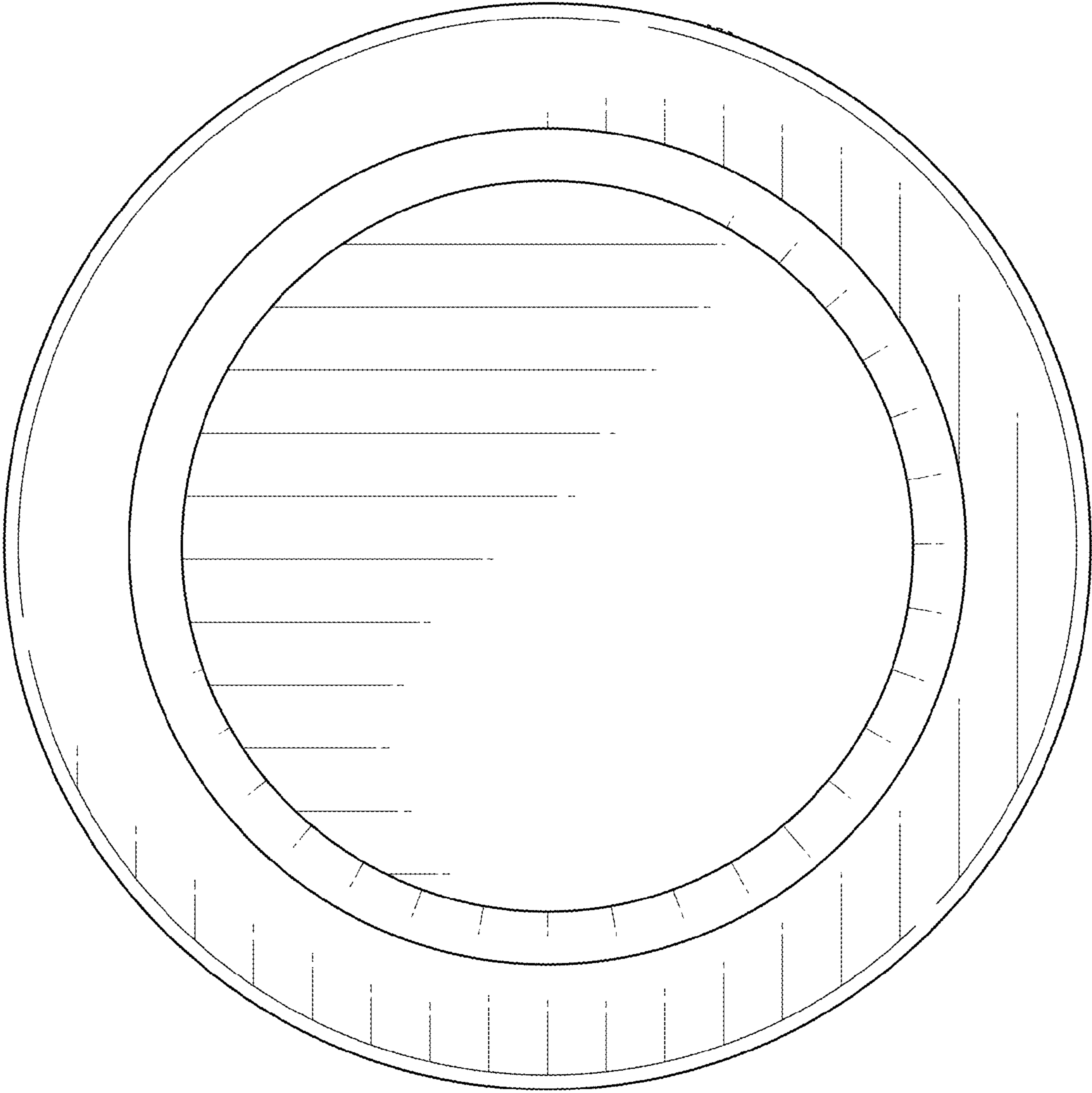


FIG. 15

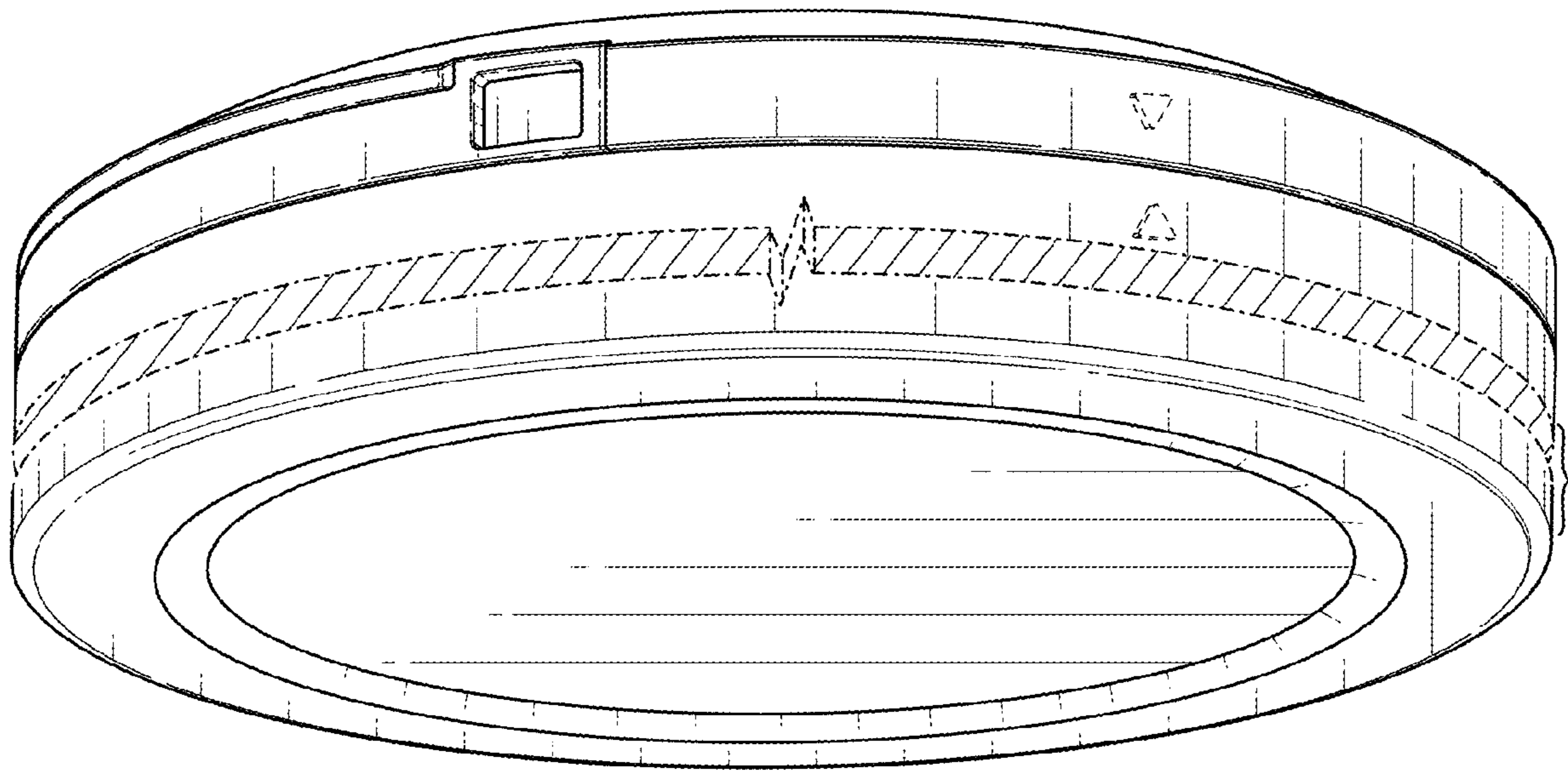


FIG. 16

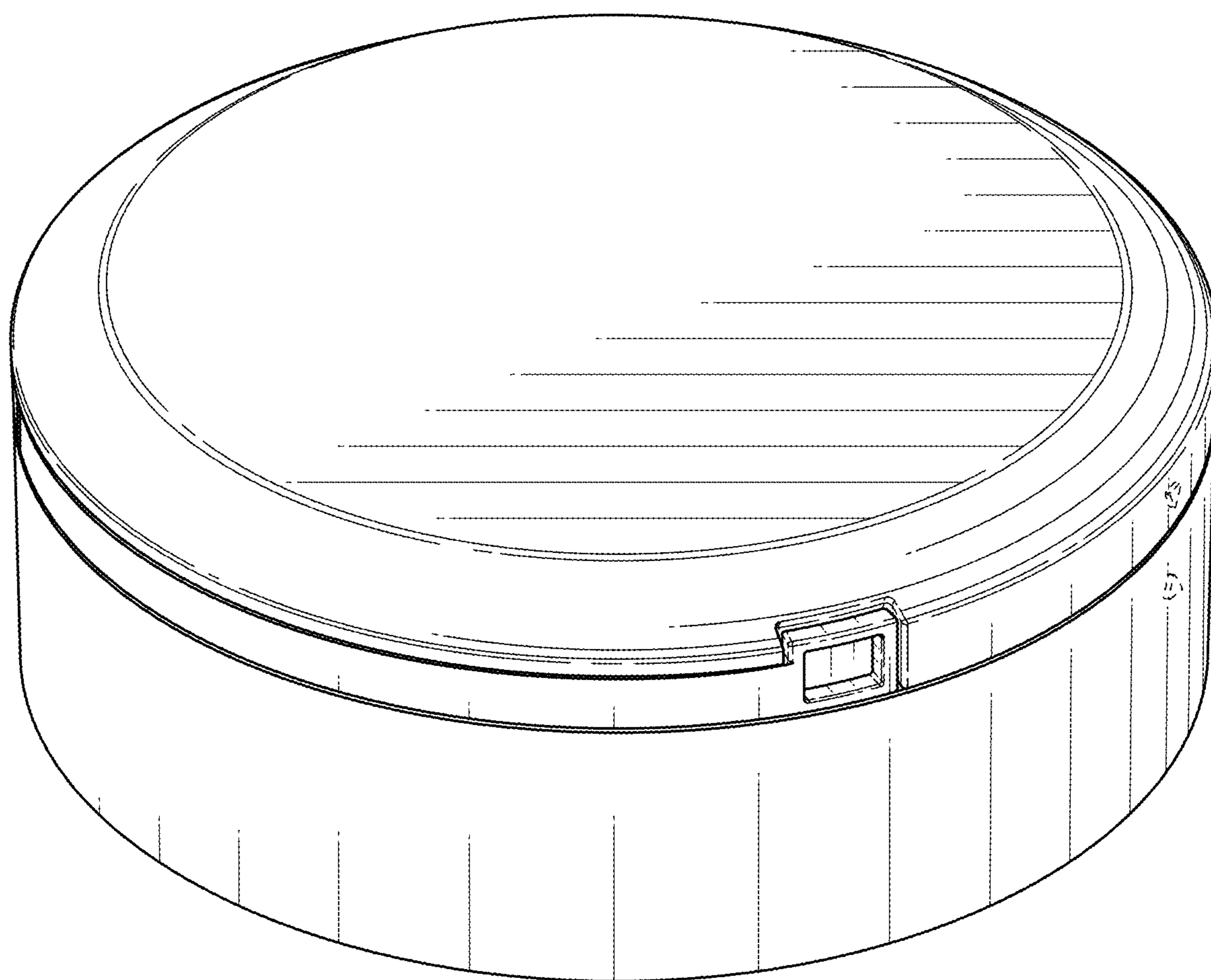


FIG. 17

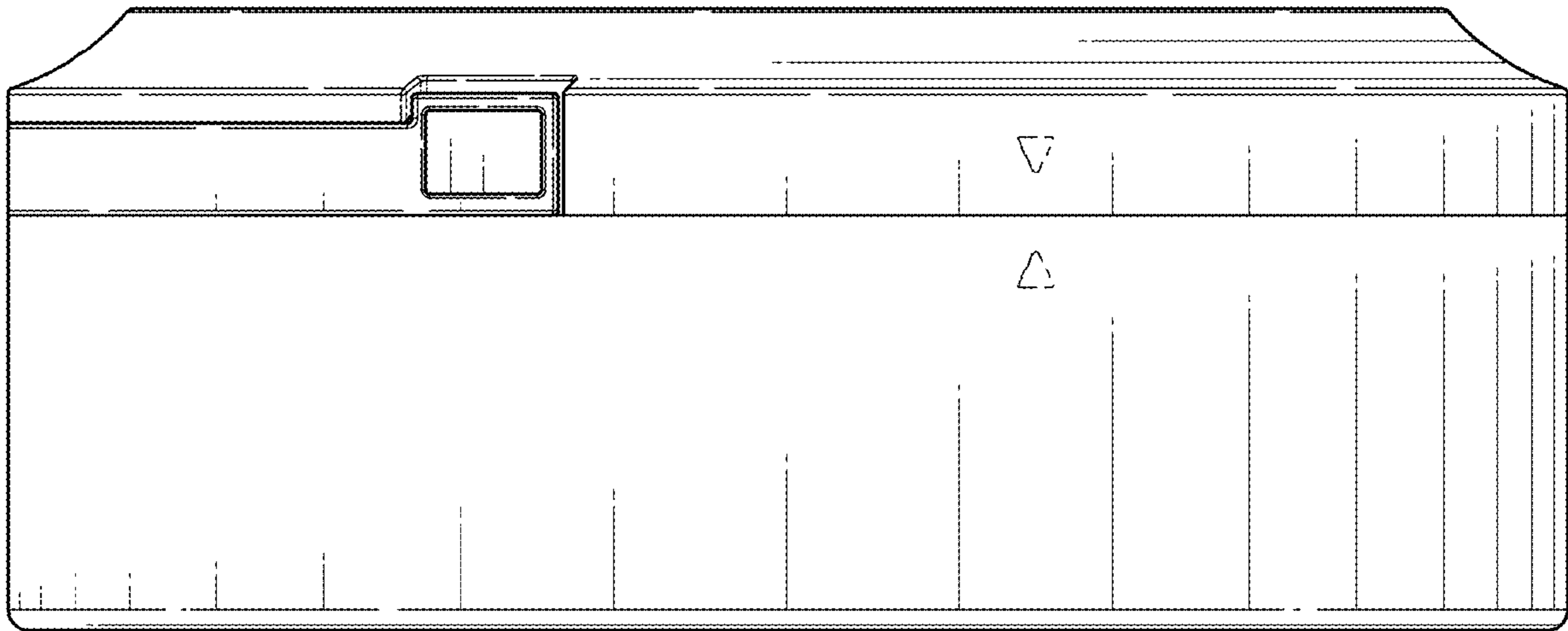


FIG. 18

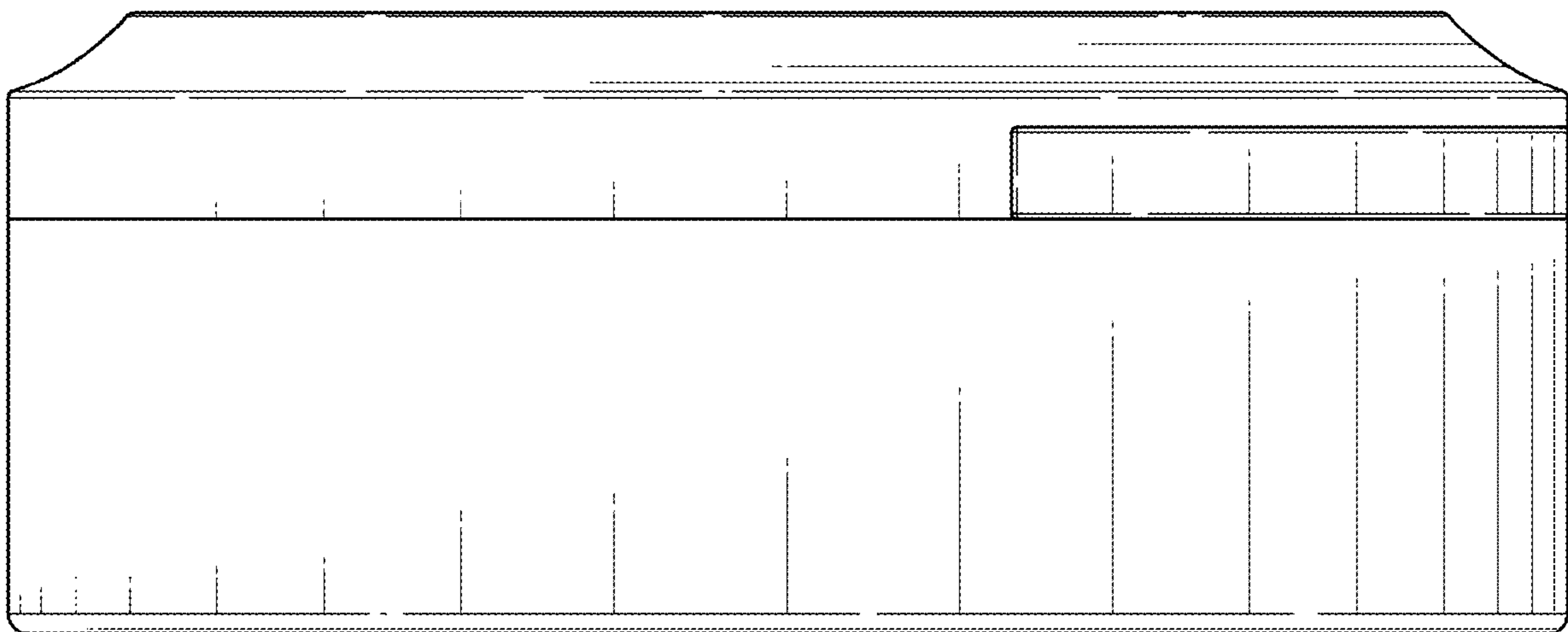


FIG. 19

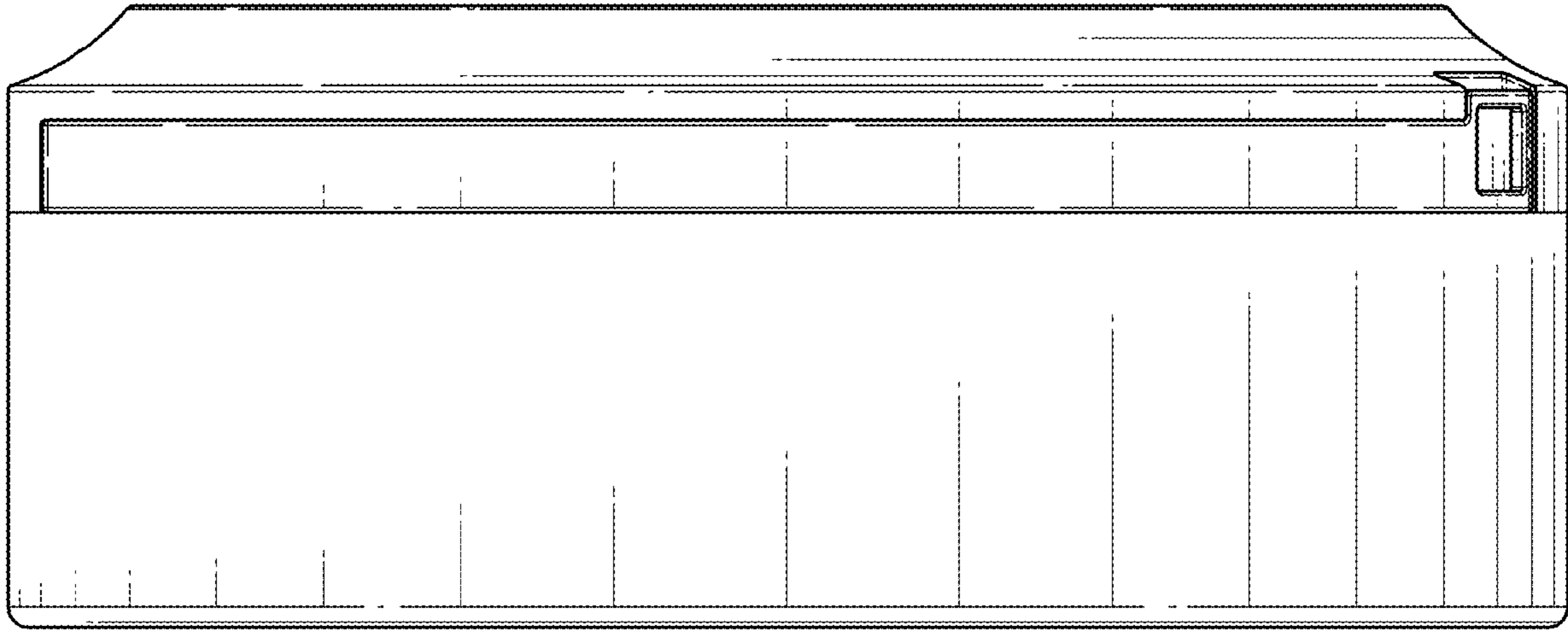


FIG. 20

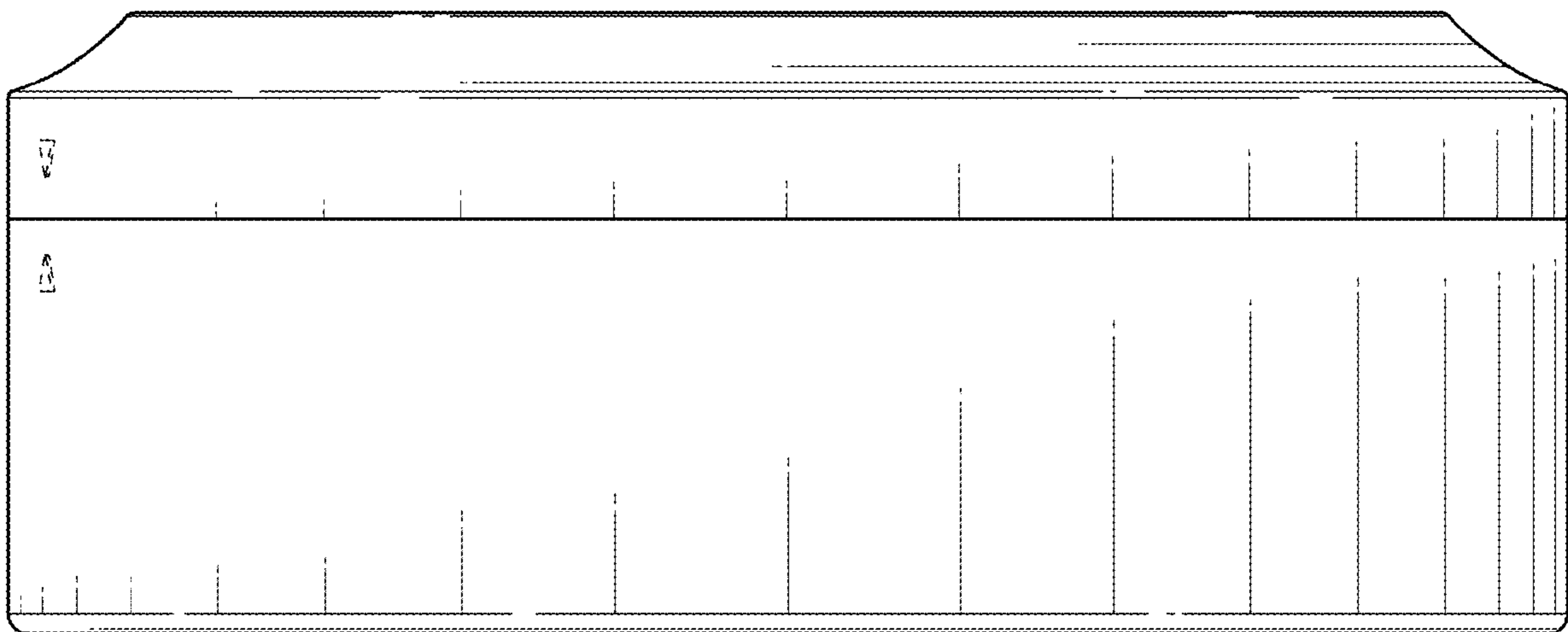


FIG. 21

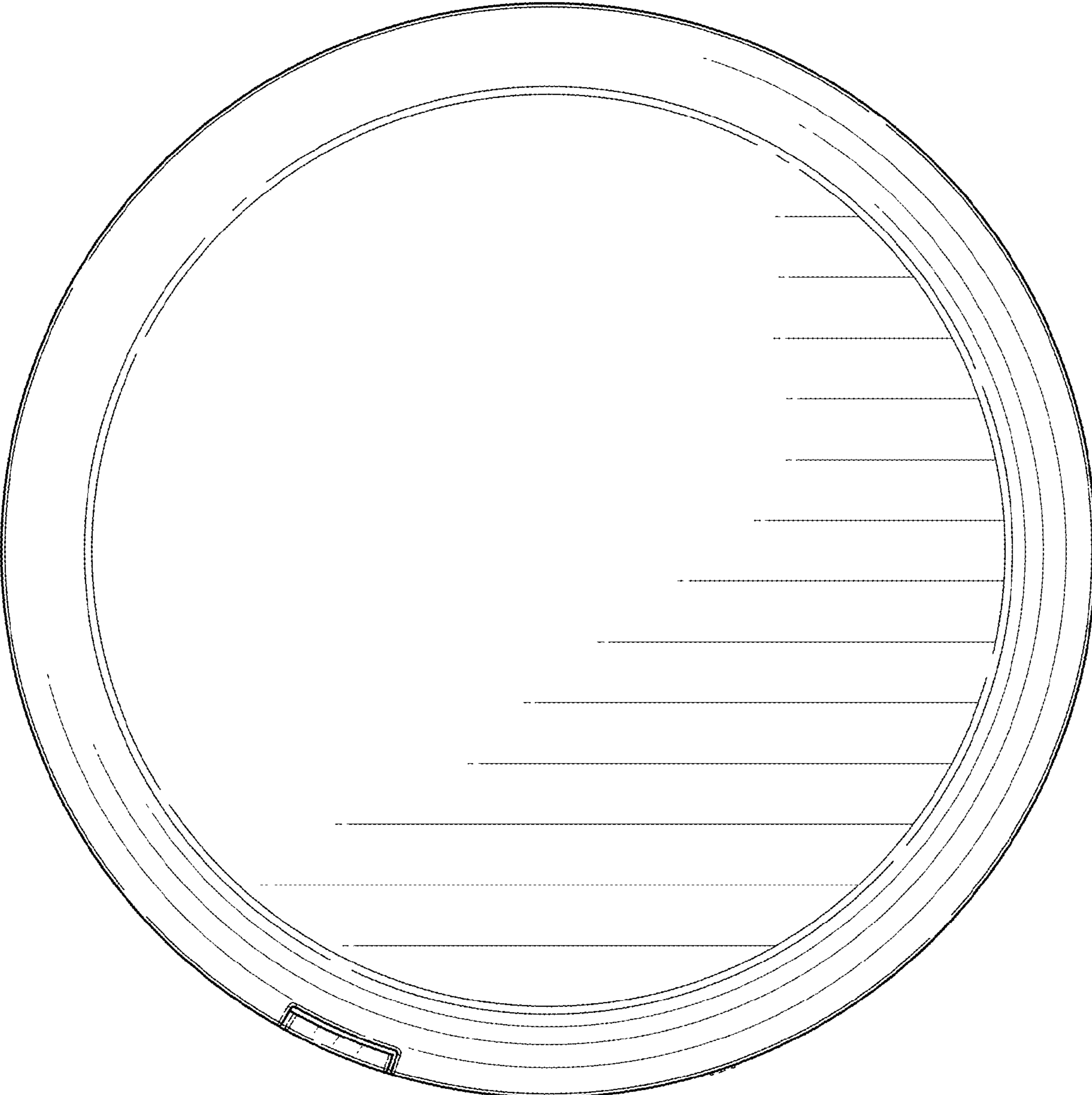


FIG. 22

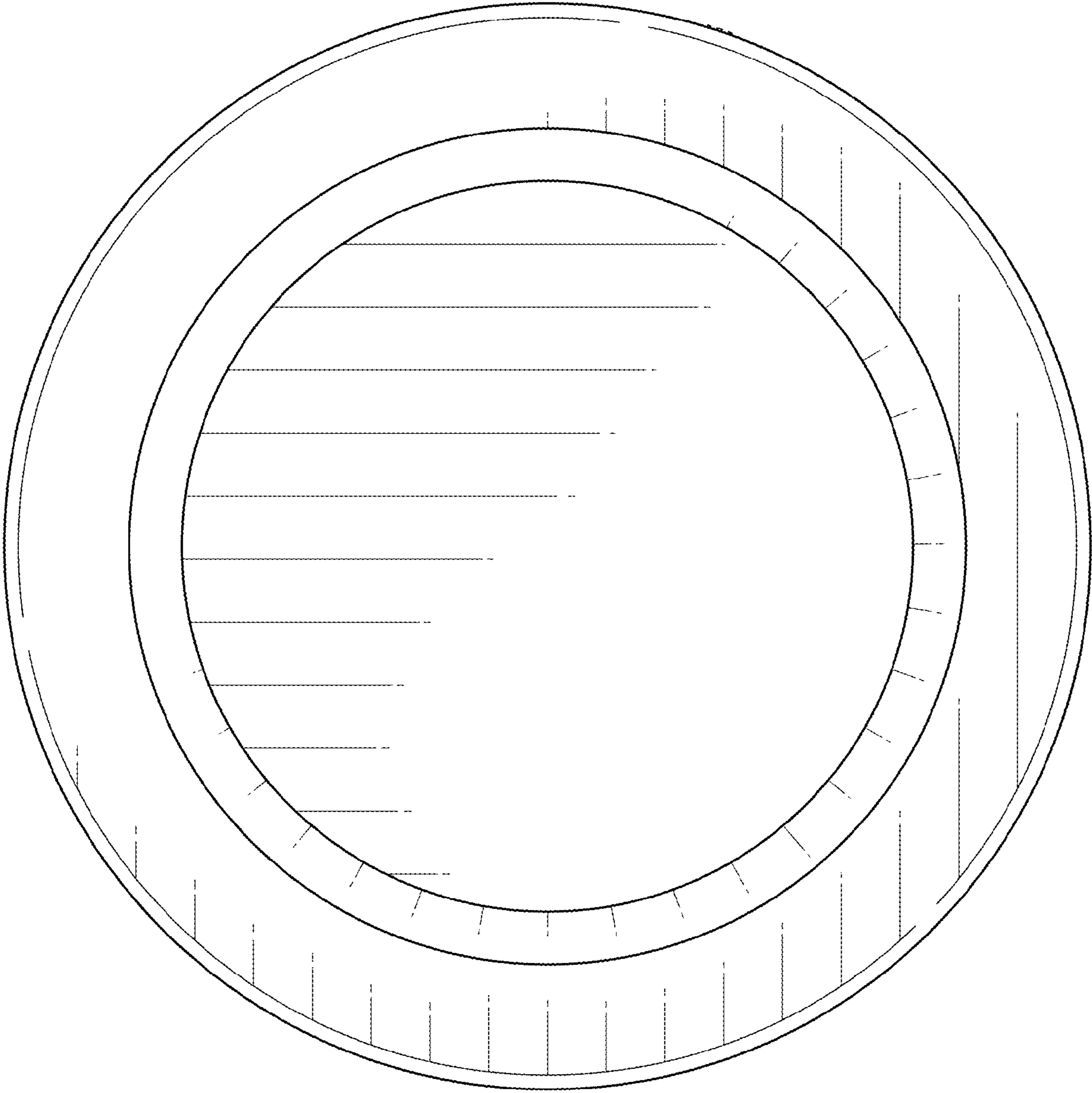


FIG. 23

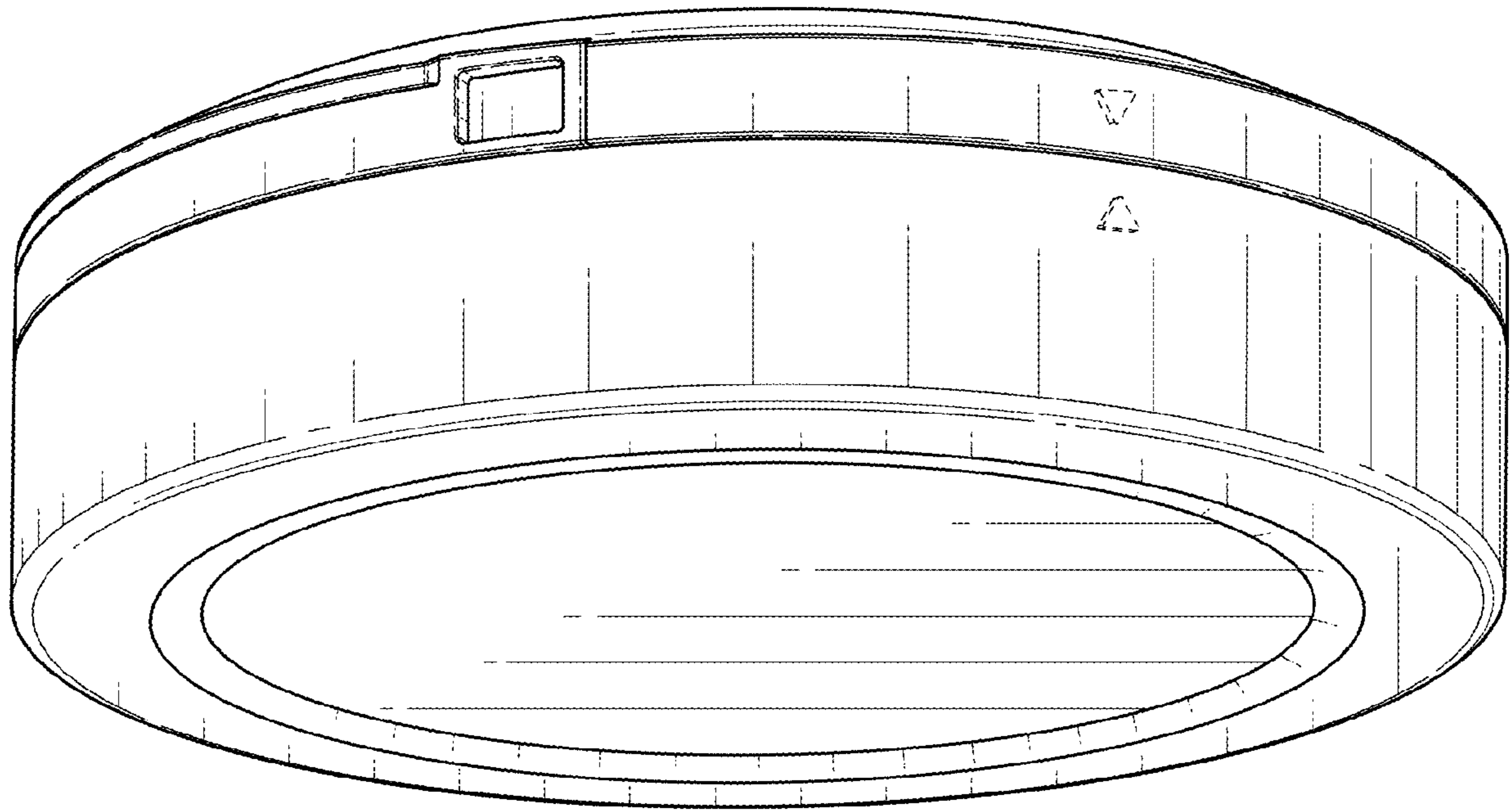


FIG. 24

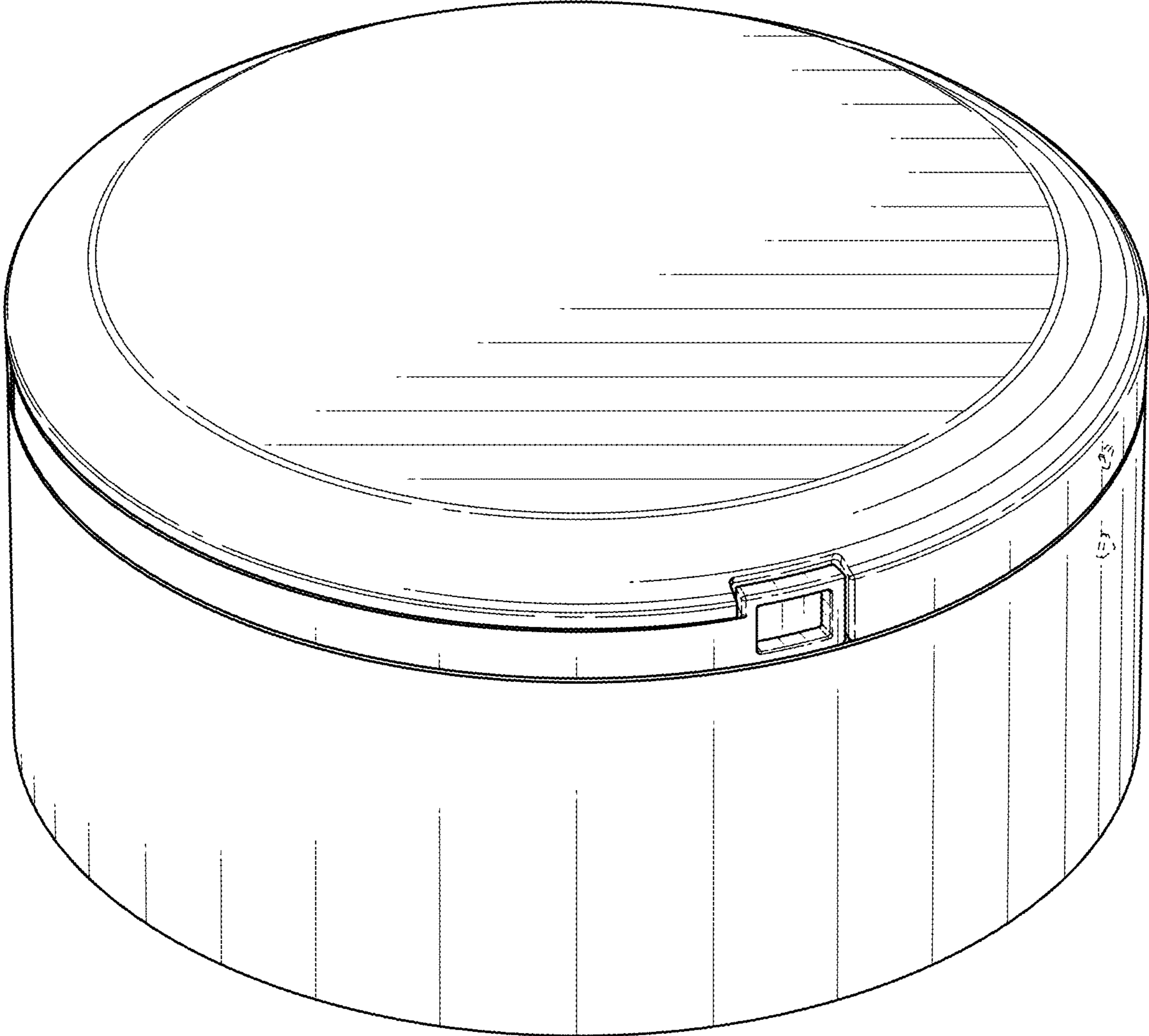


FIG. 25

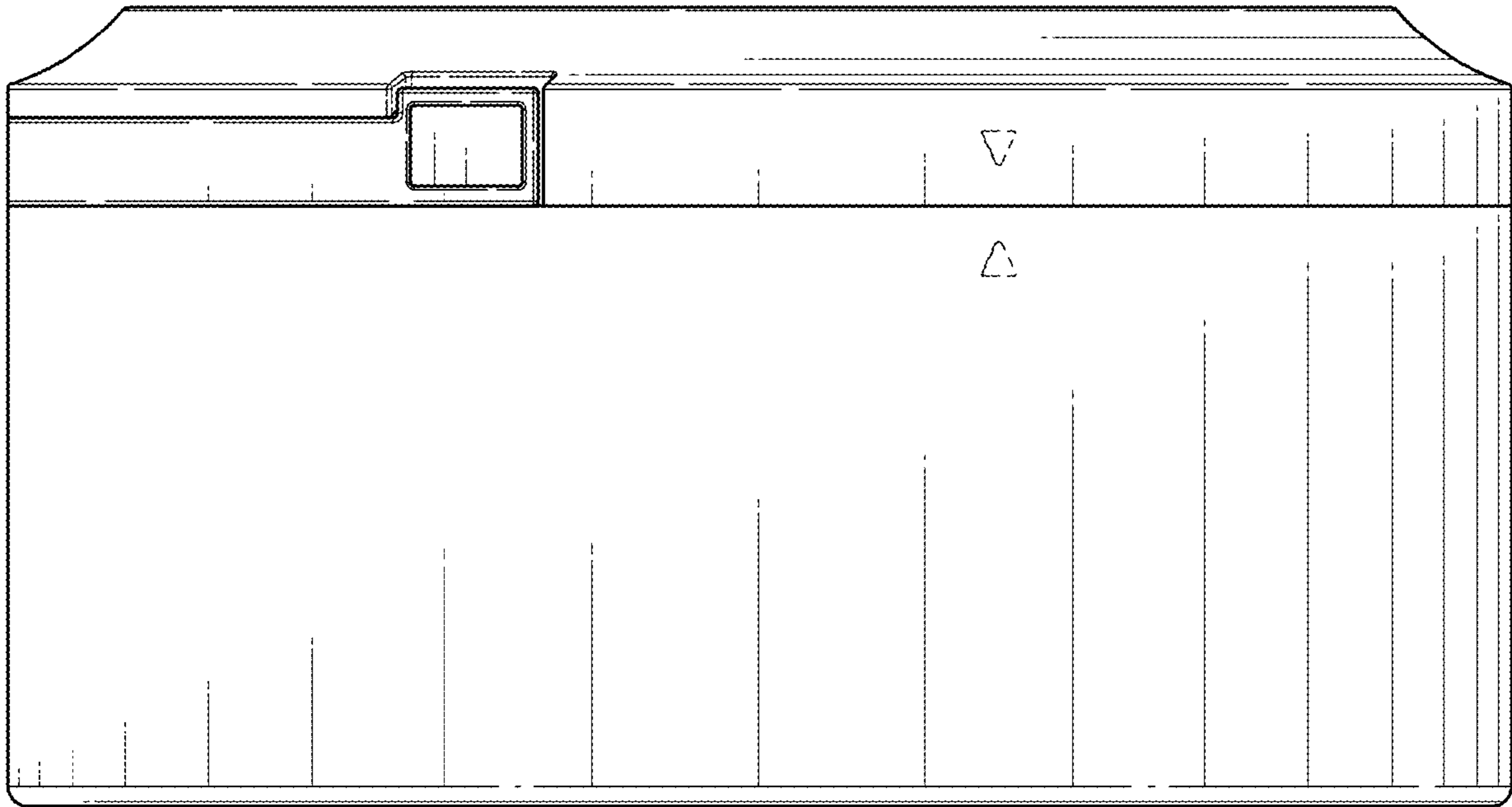


FIG. 26

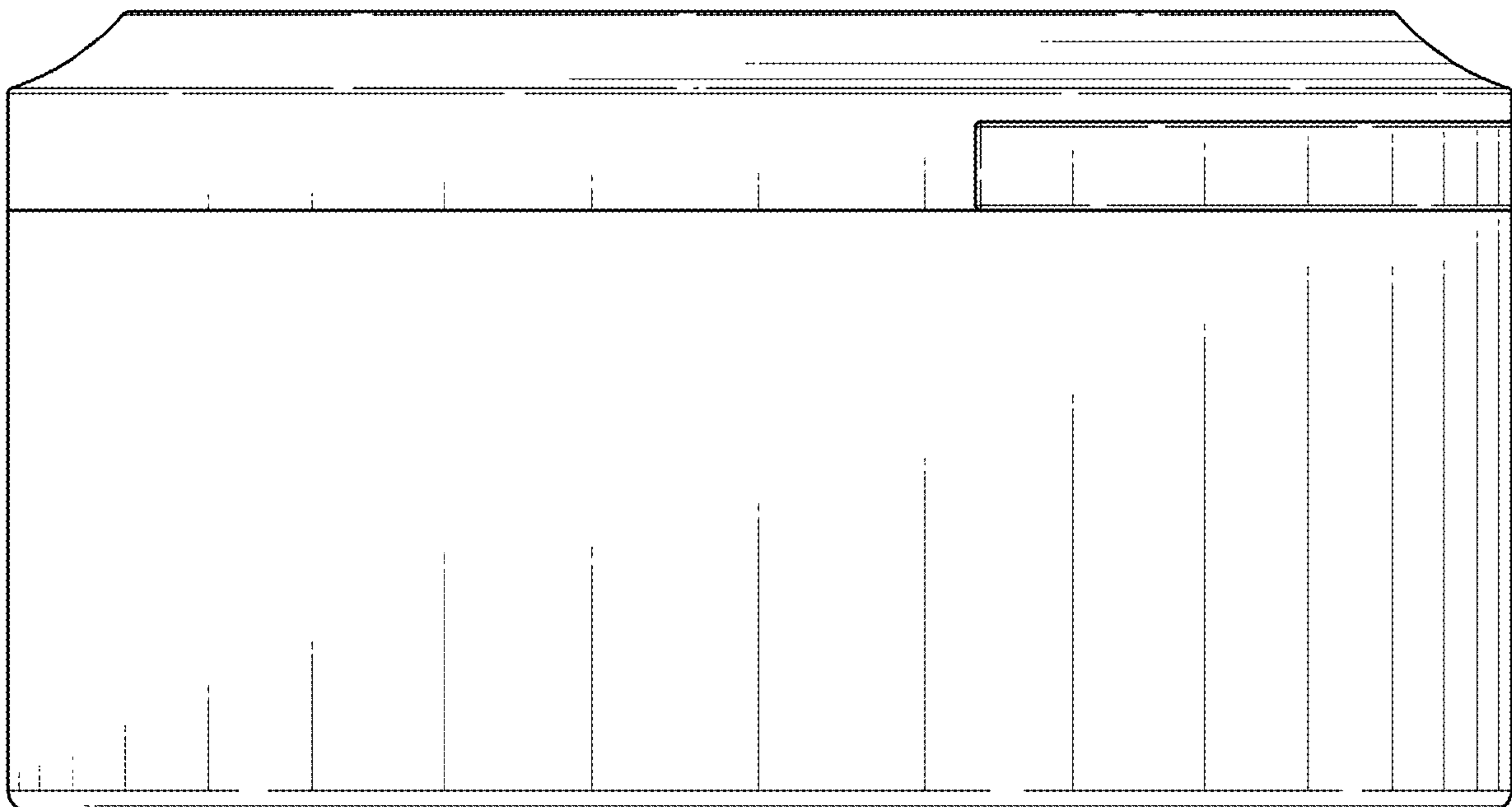


FIG. 27

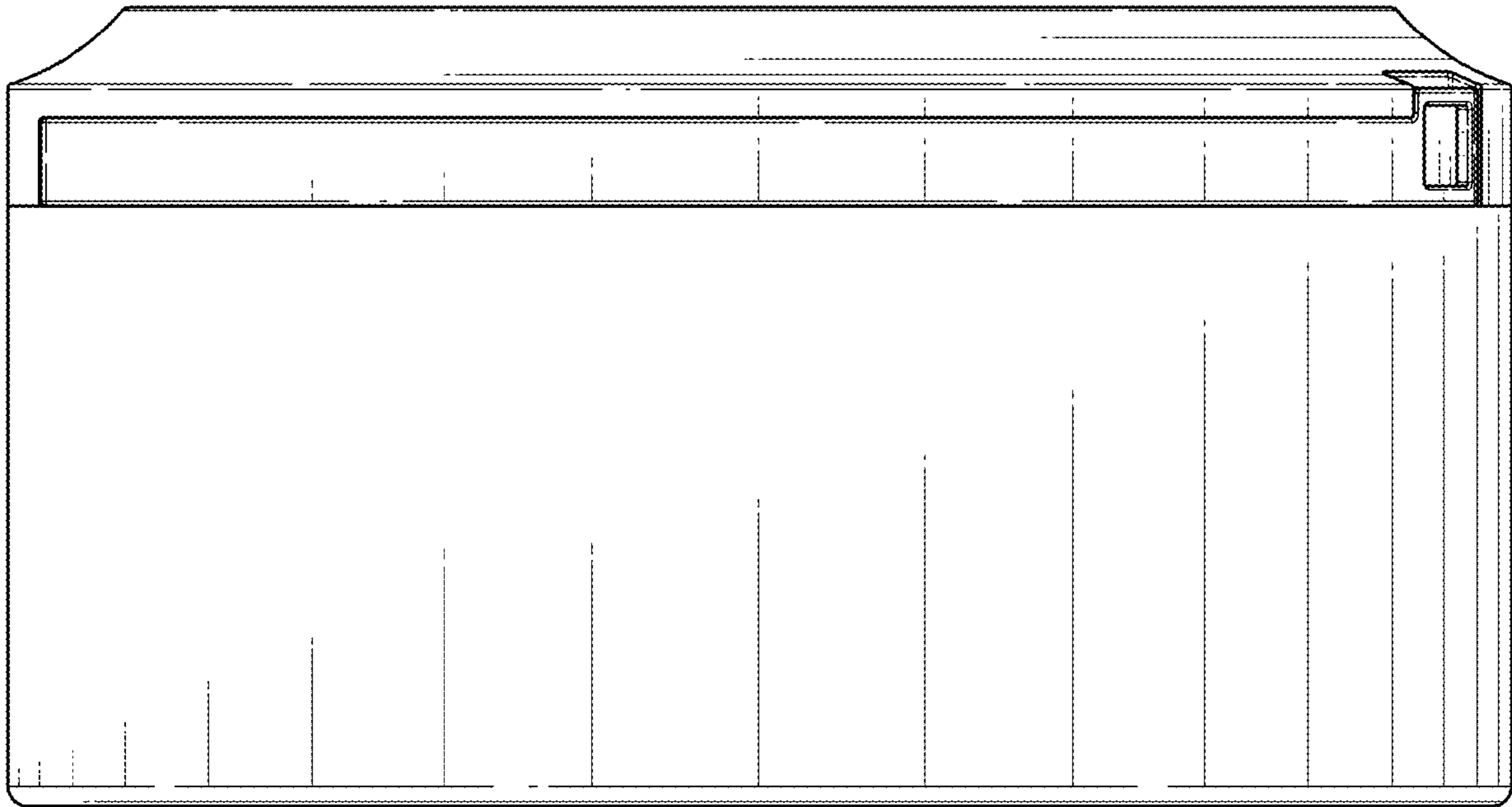


FIG. 28

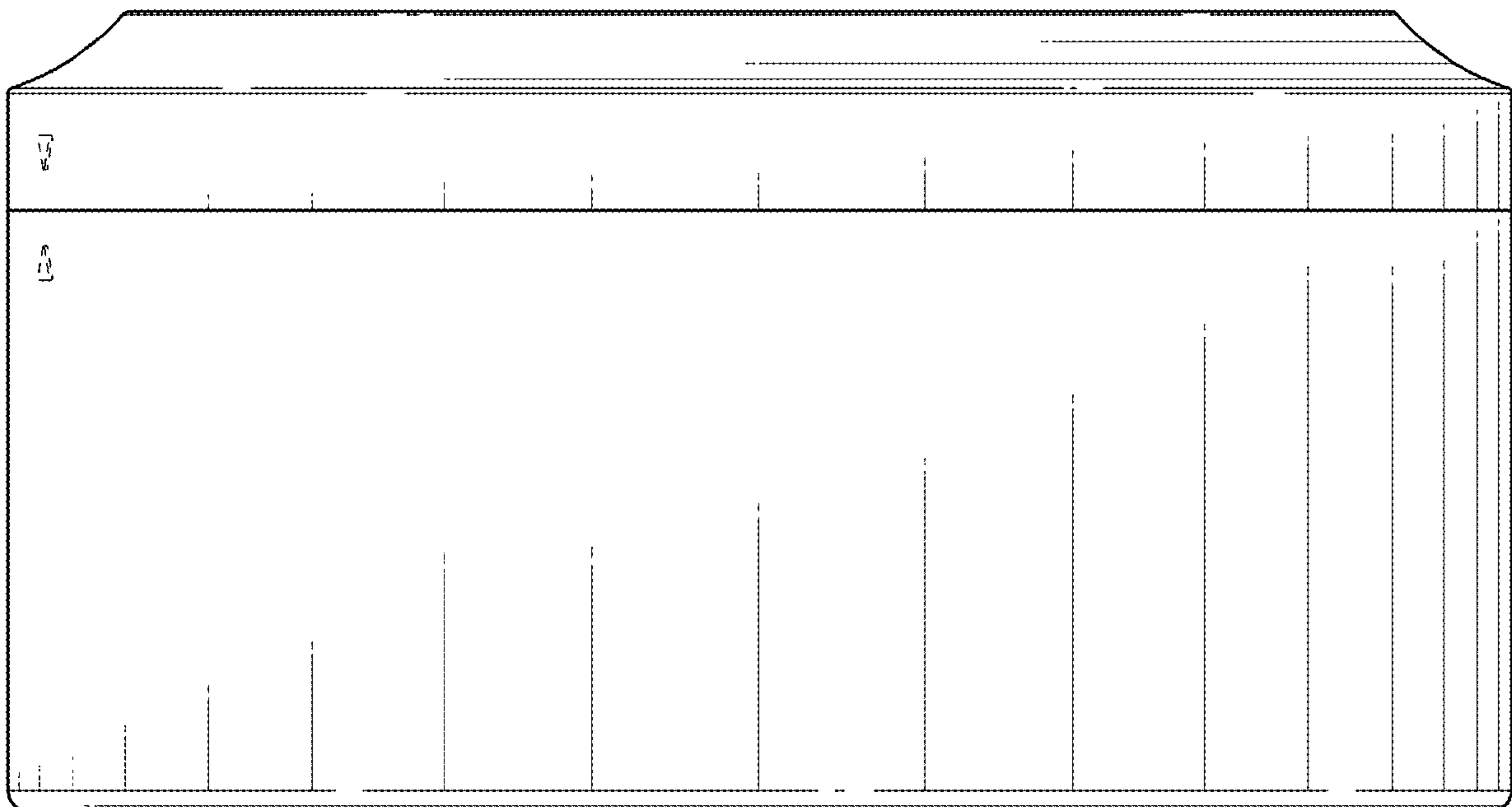


FIG. 29

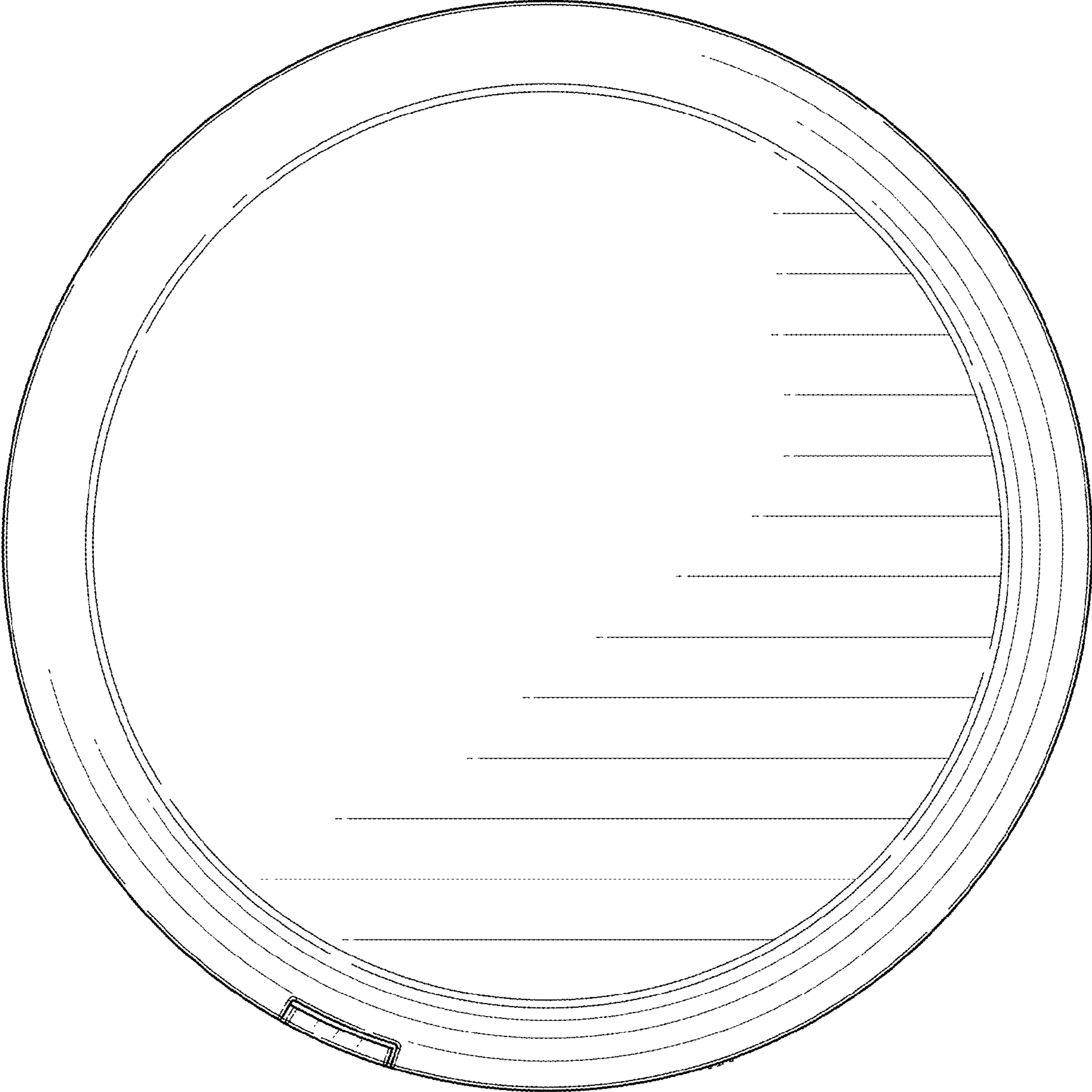


FIG. 30

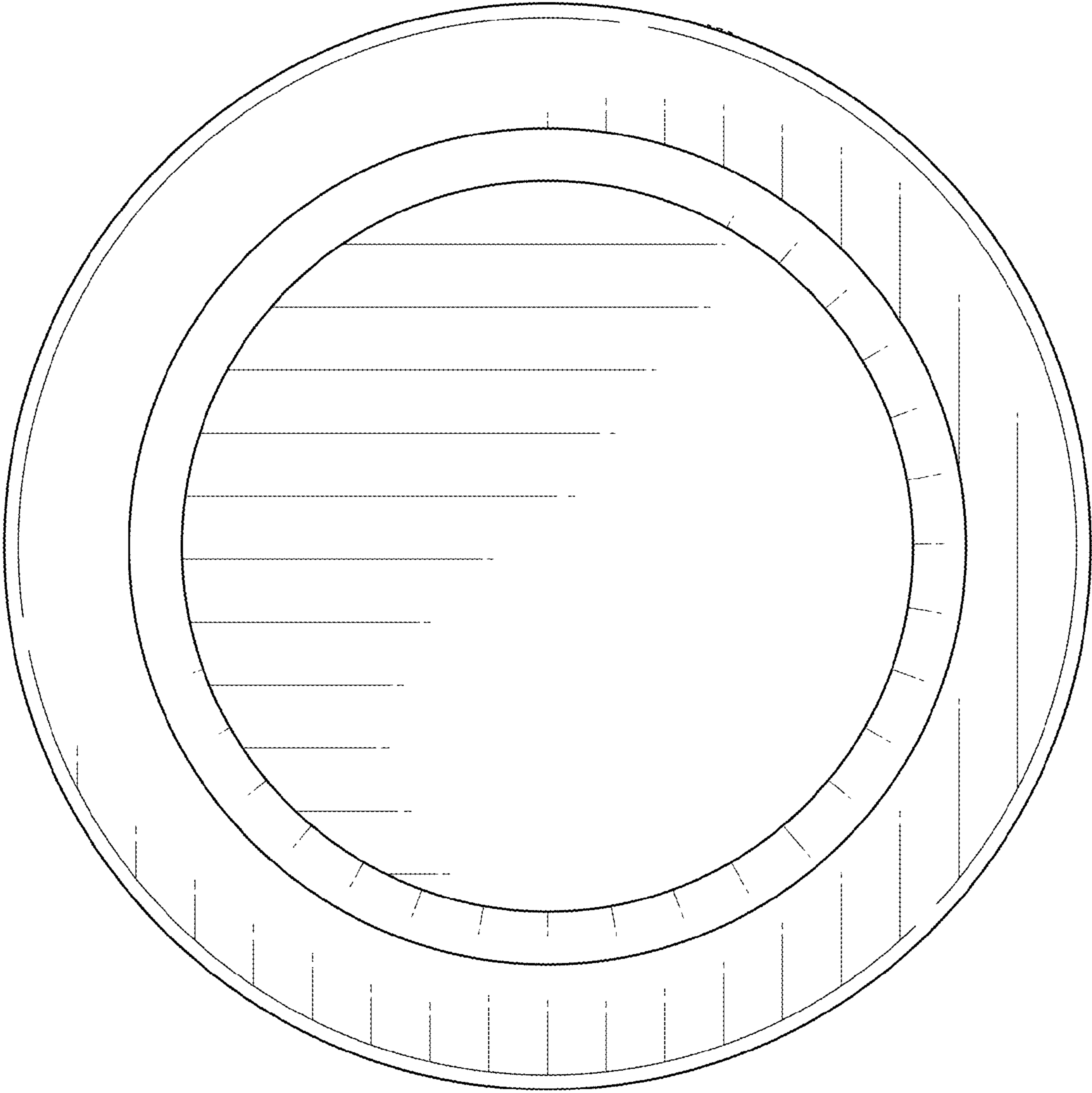


FIG. 31

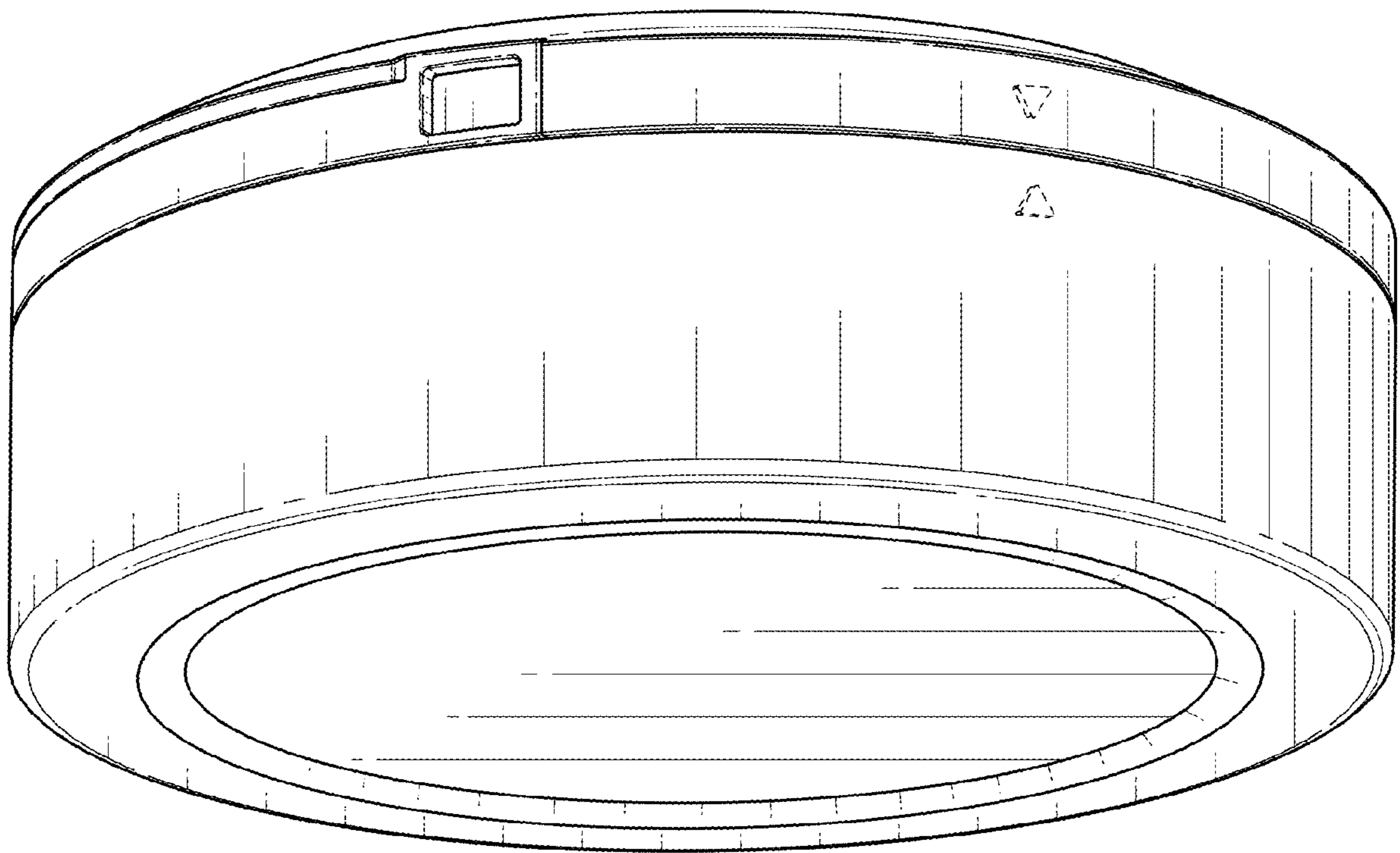


FIG. 32

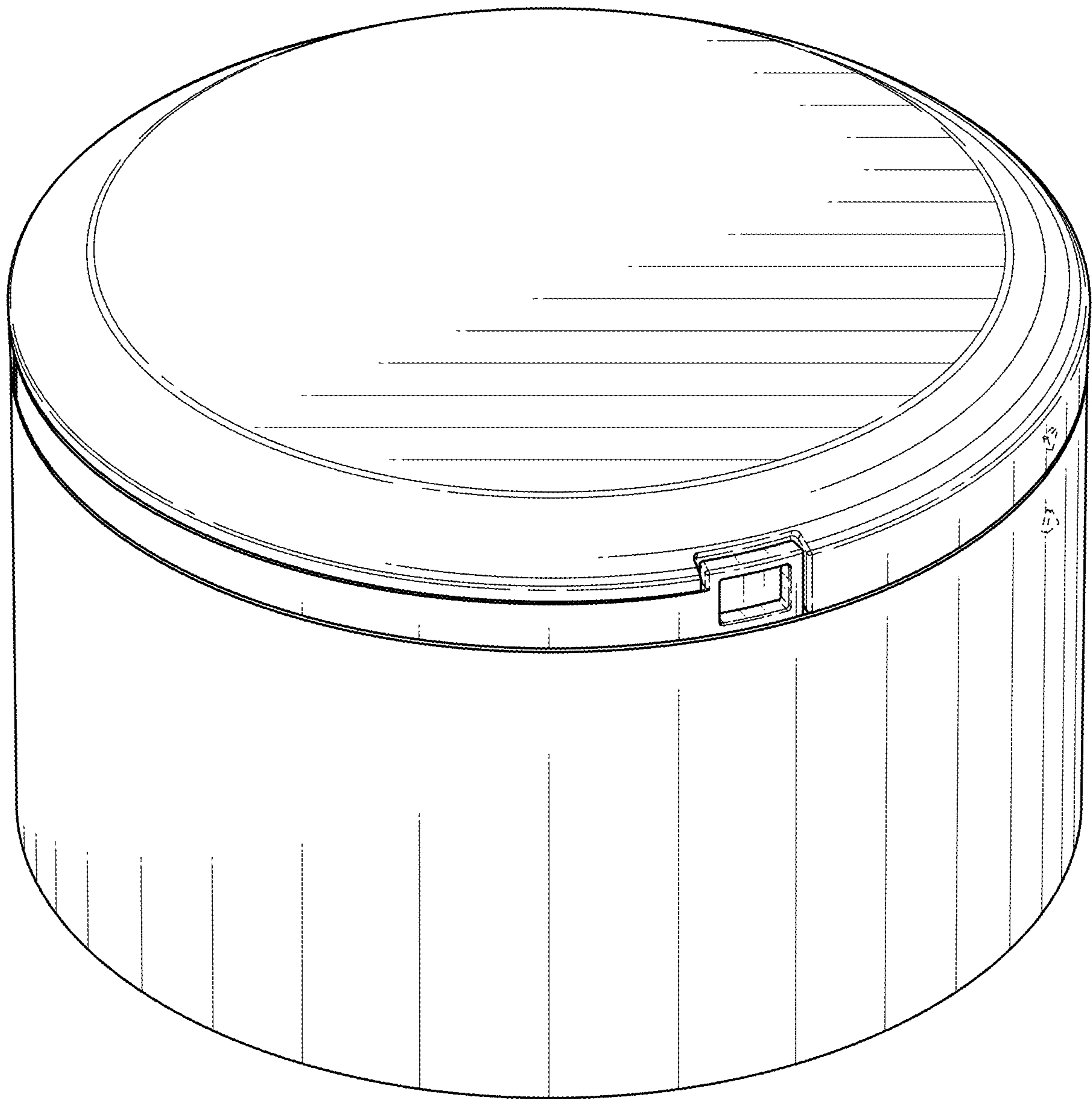


FIG. 33

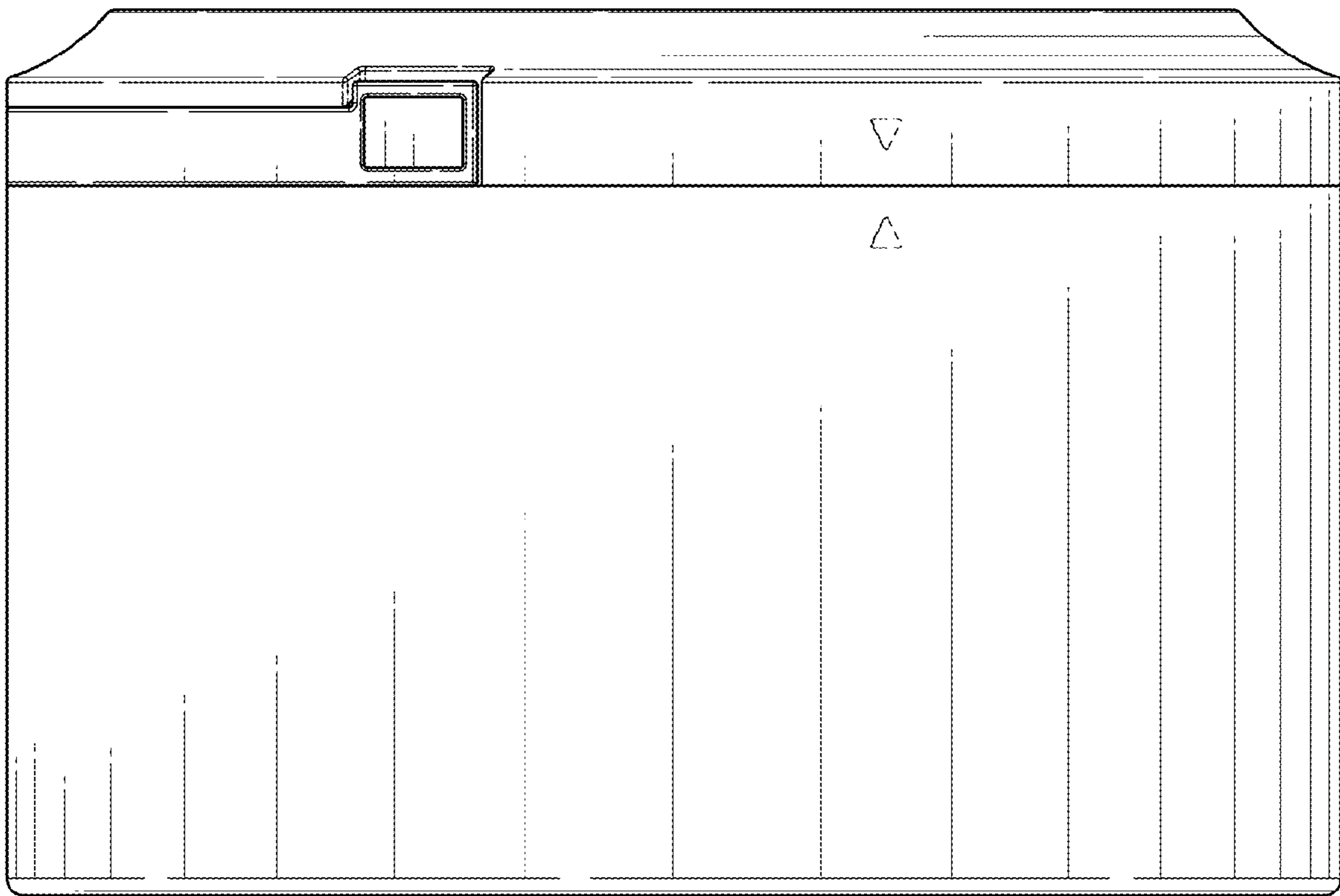


FIG. 34

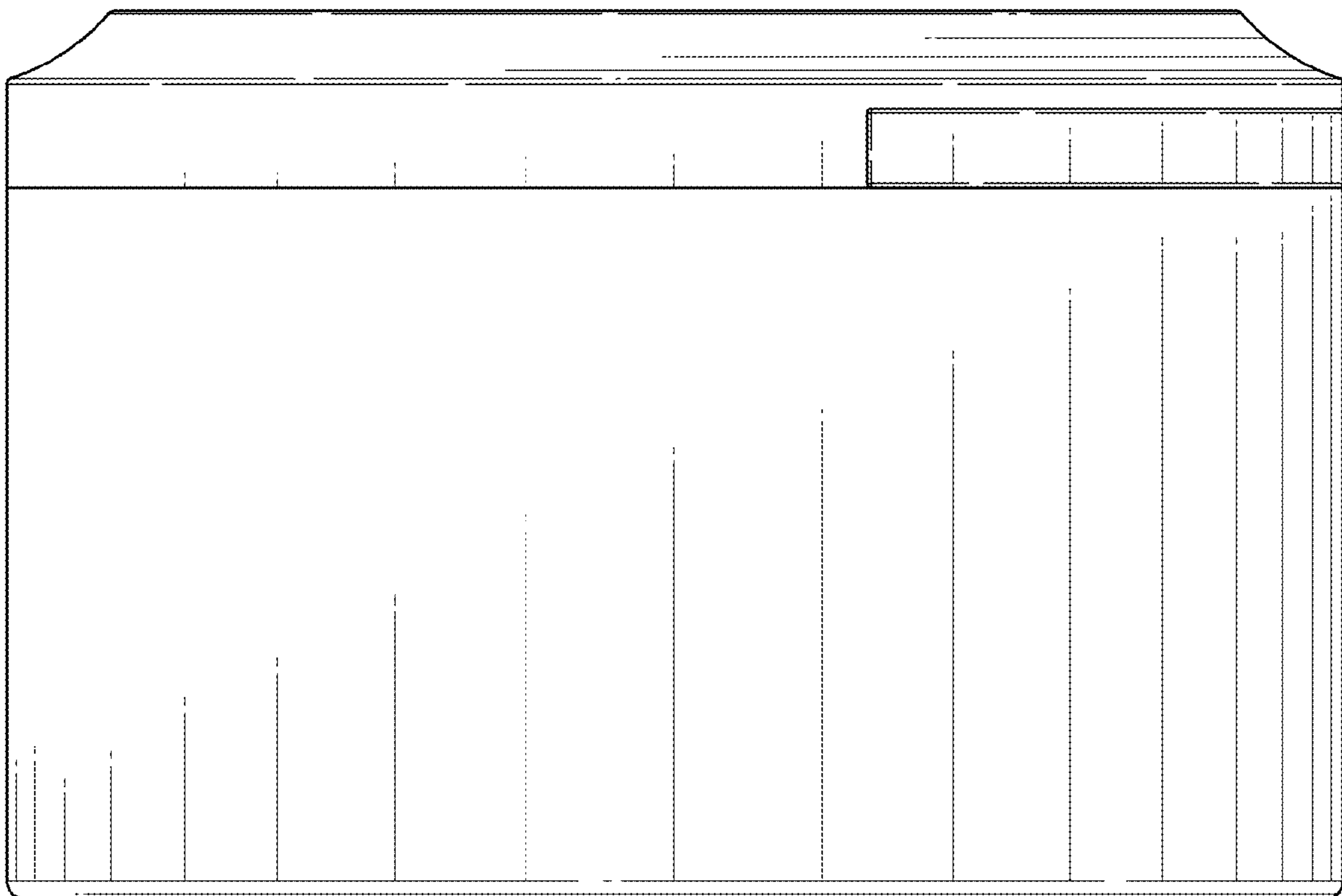


FIG. 35

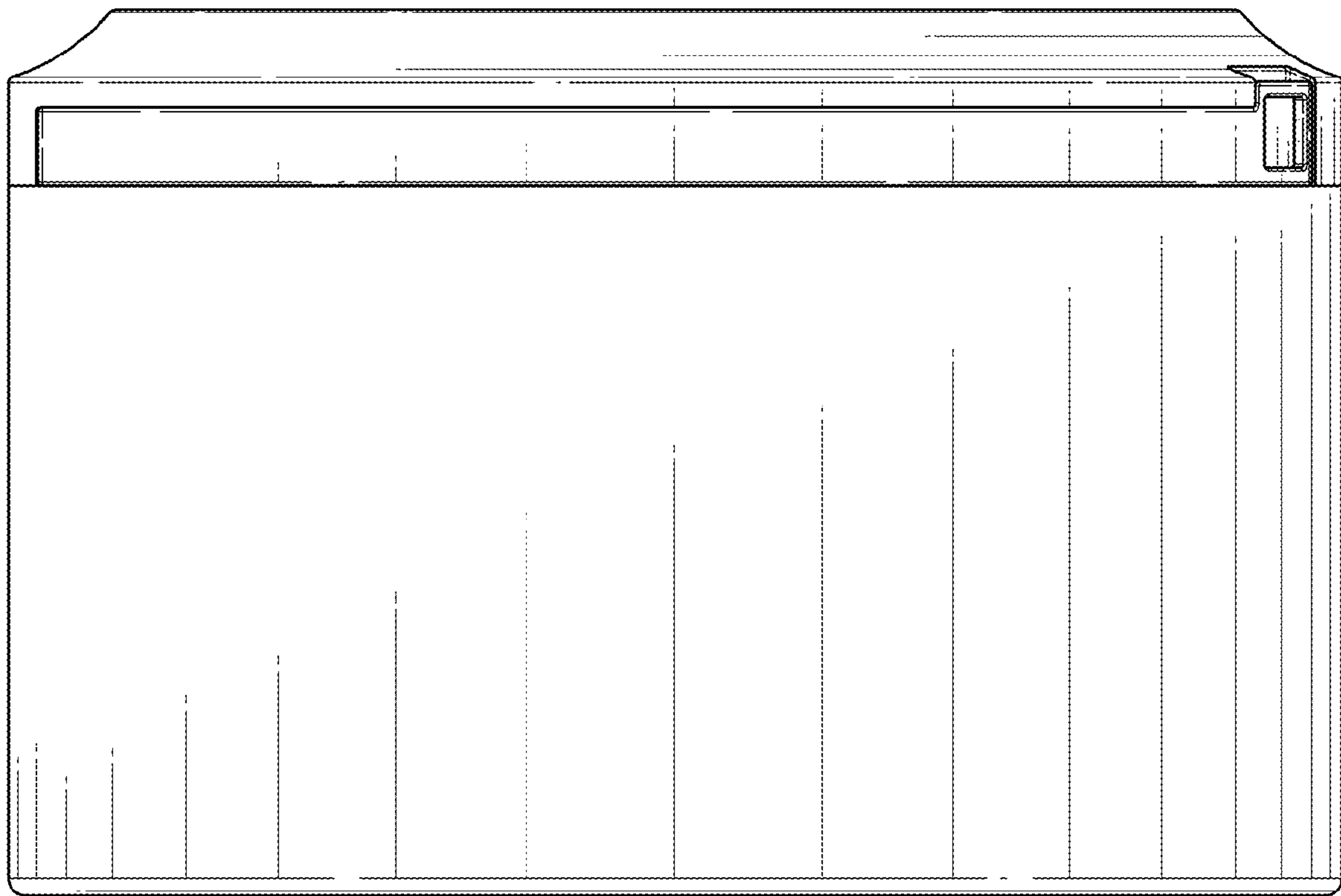


FIG. 36

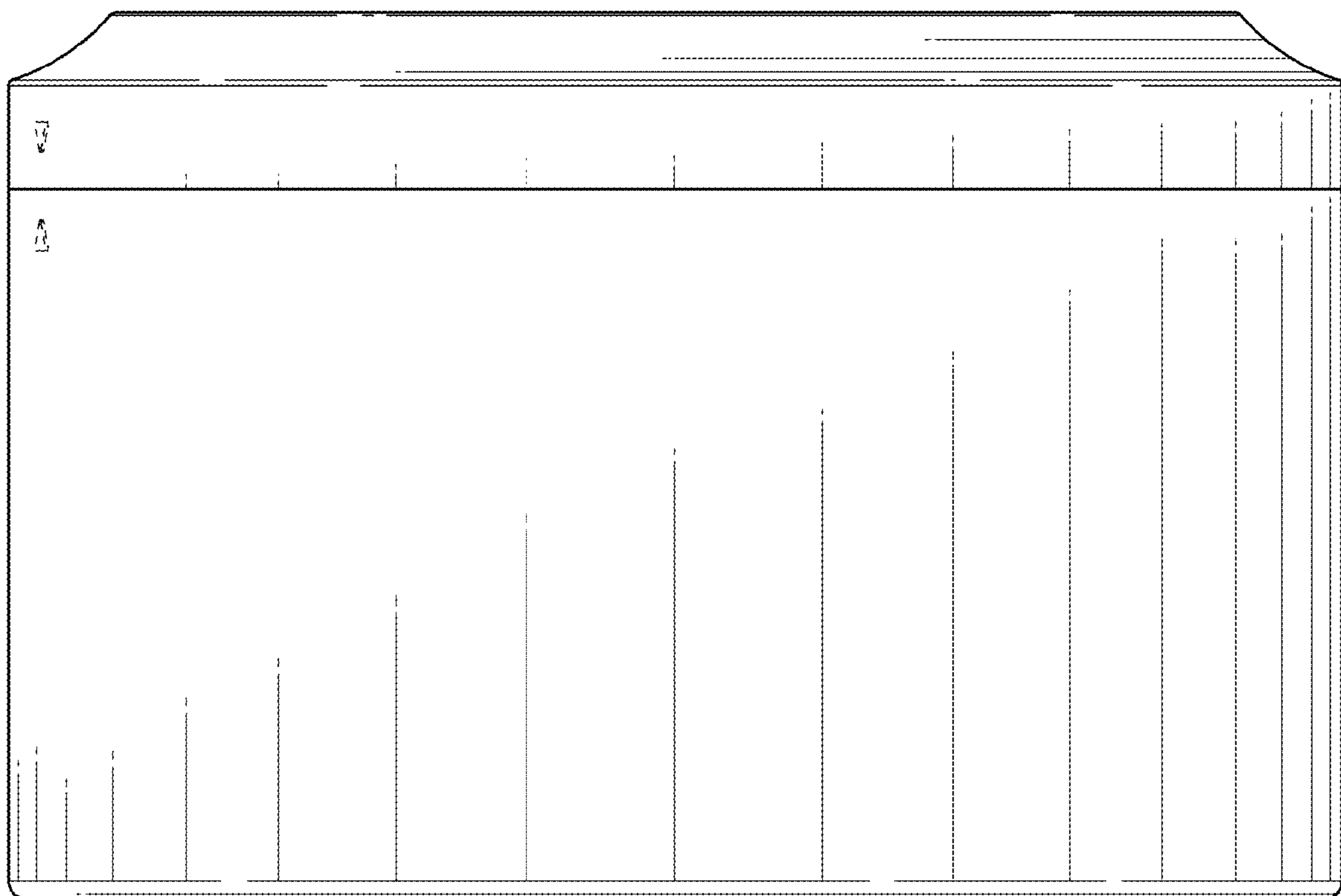


FIG. 37

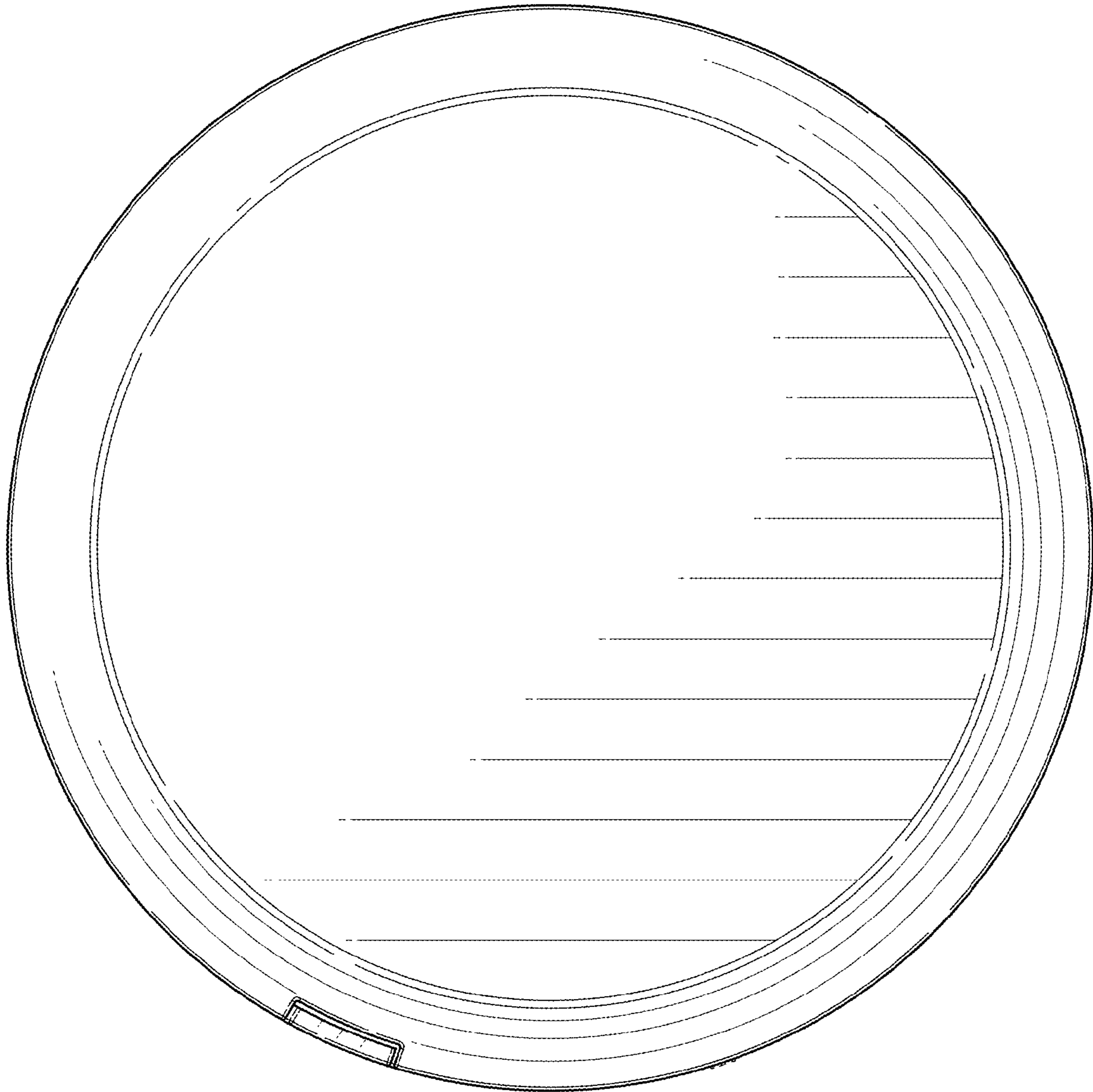


FIG. 38

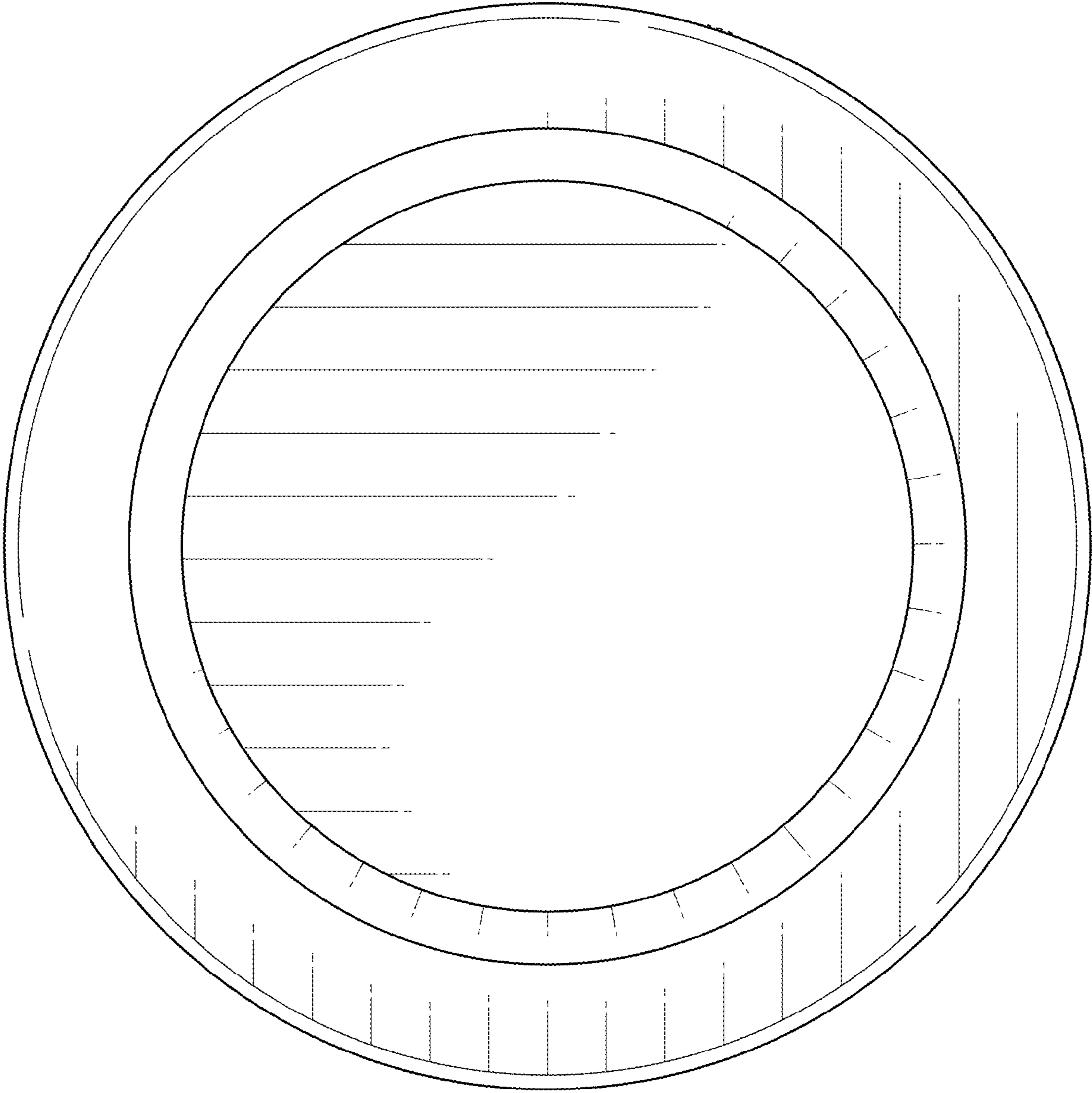


FIG. 39

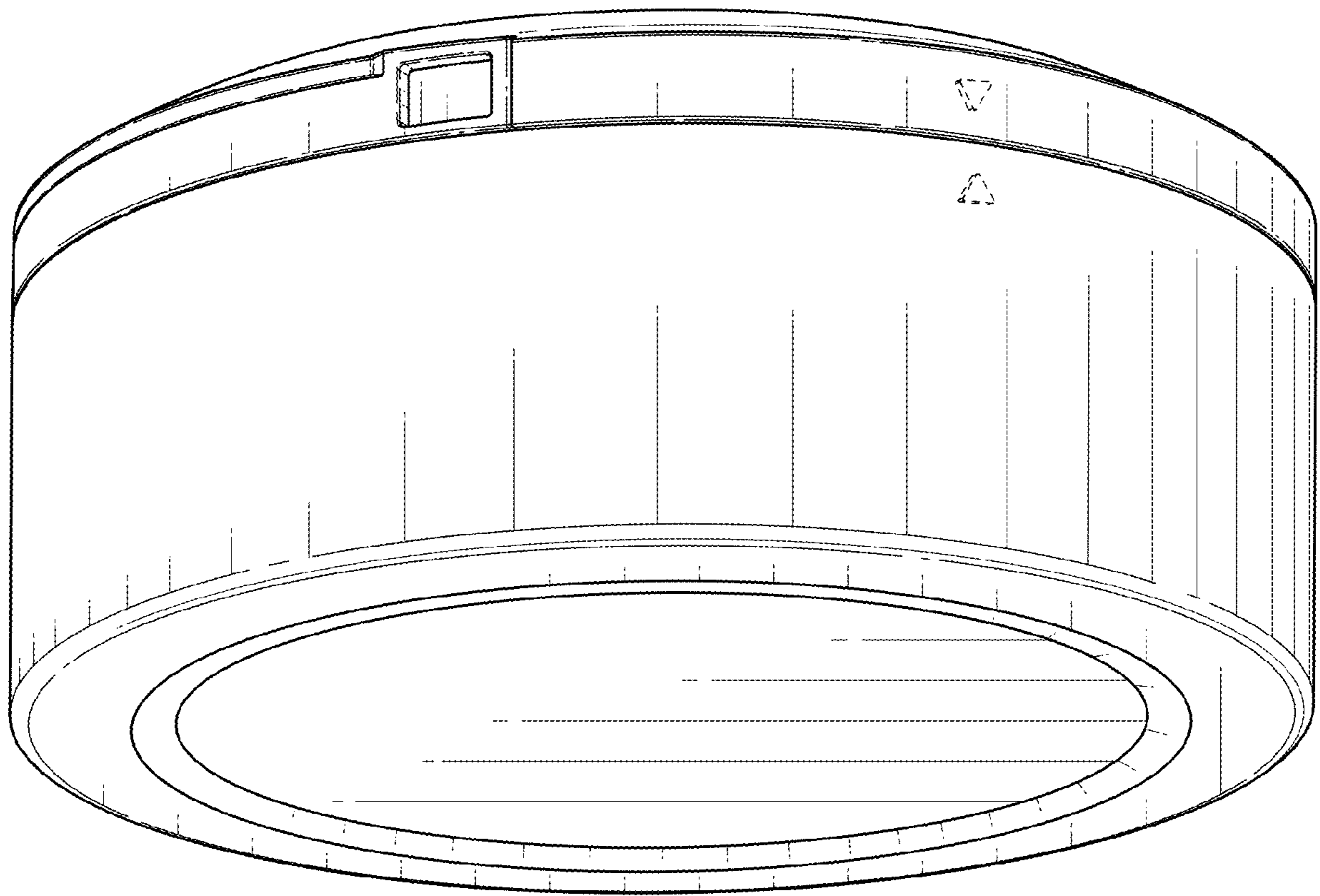


FIG. 40

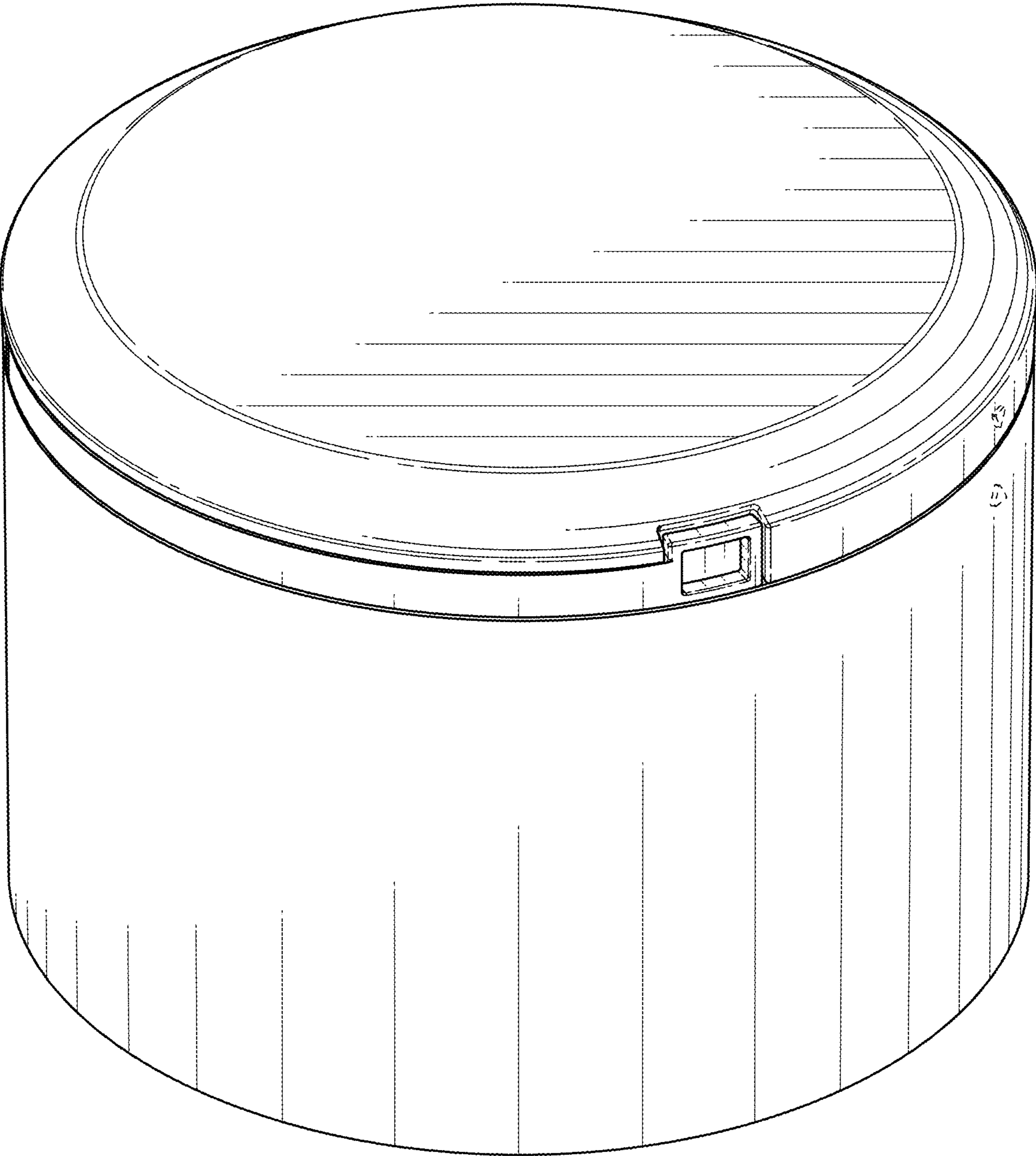


FIG. 41

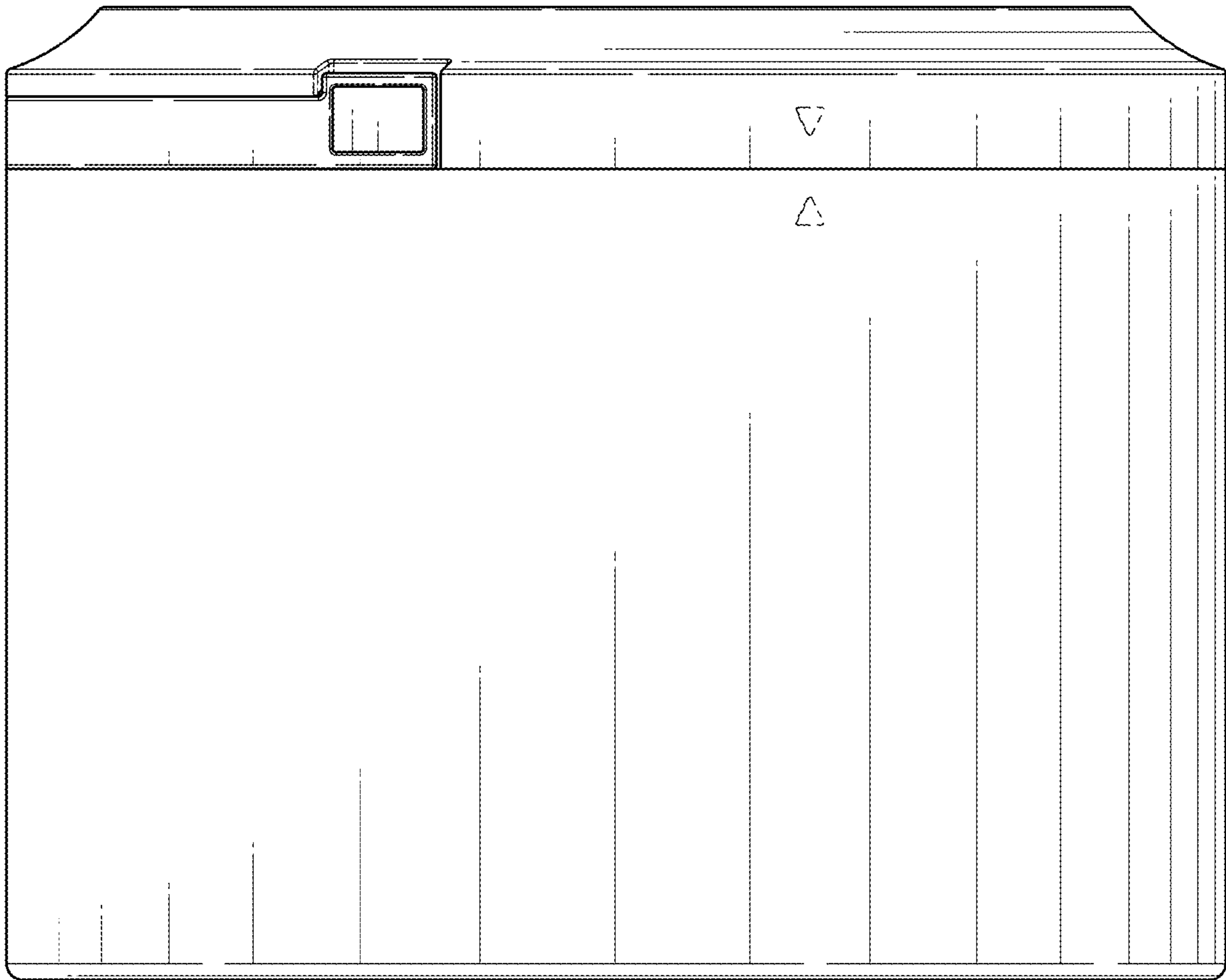


FIG. 42

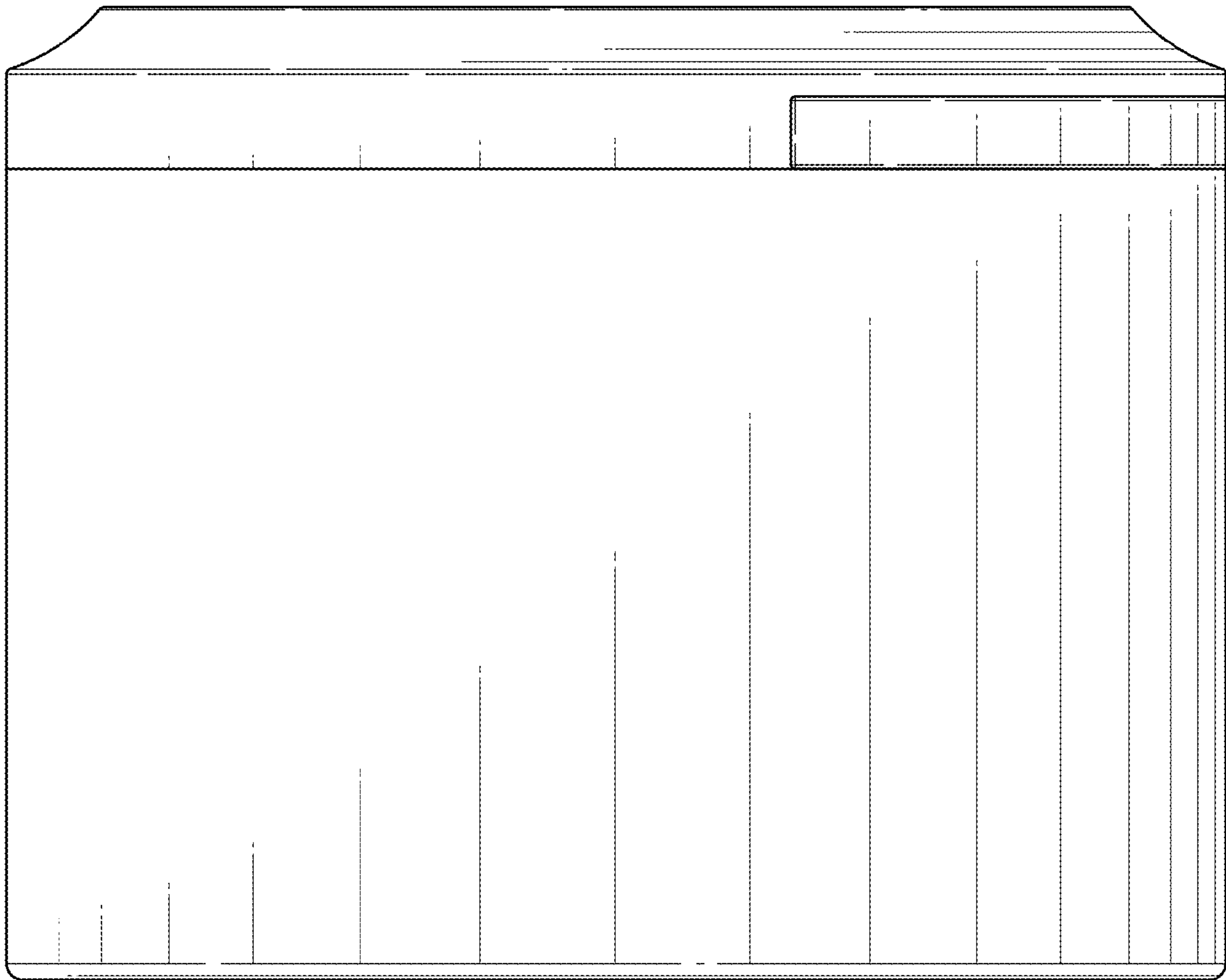


FIG. 43

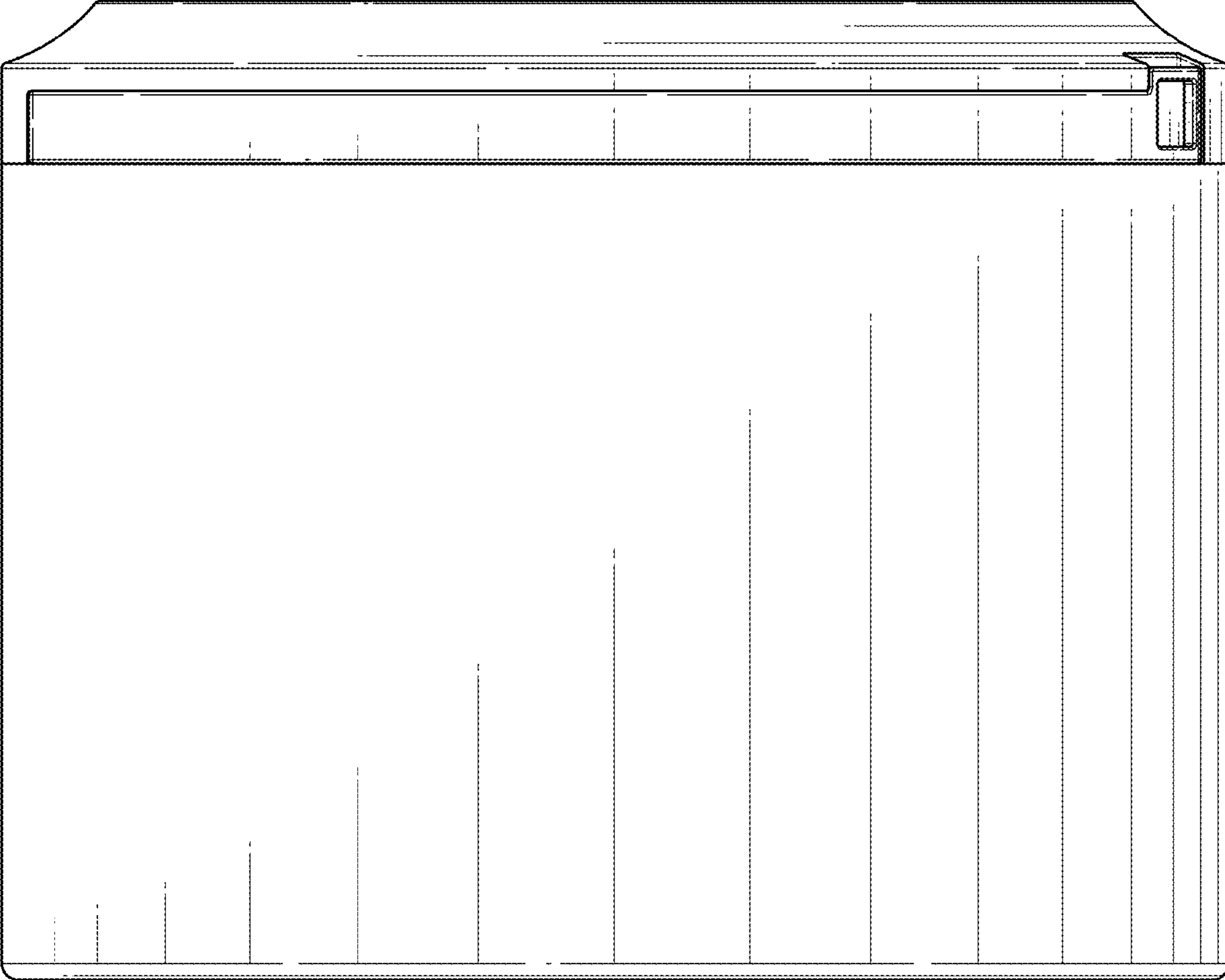


FIG. 44

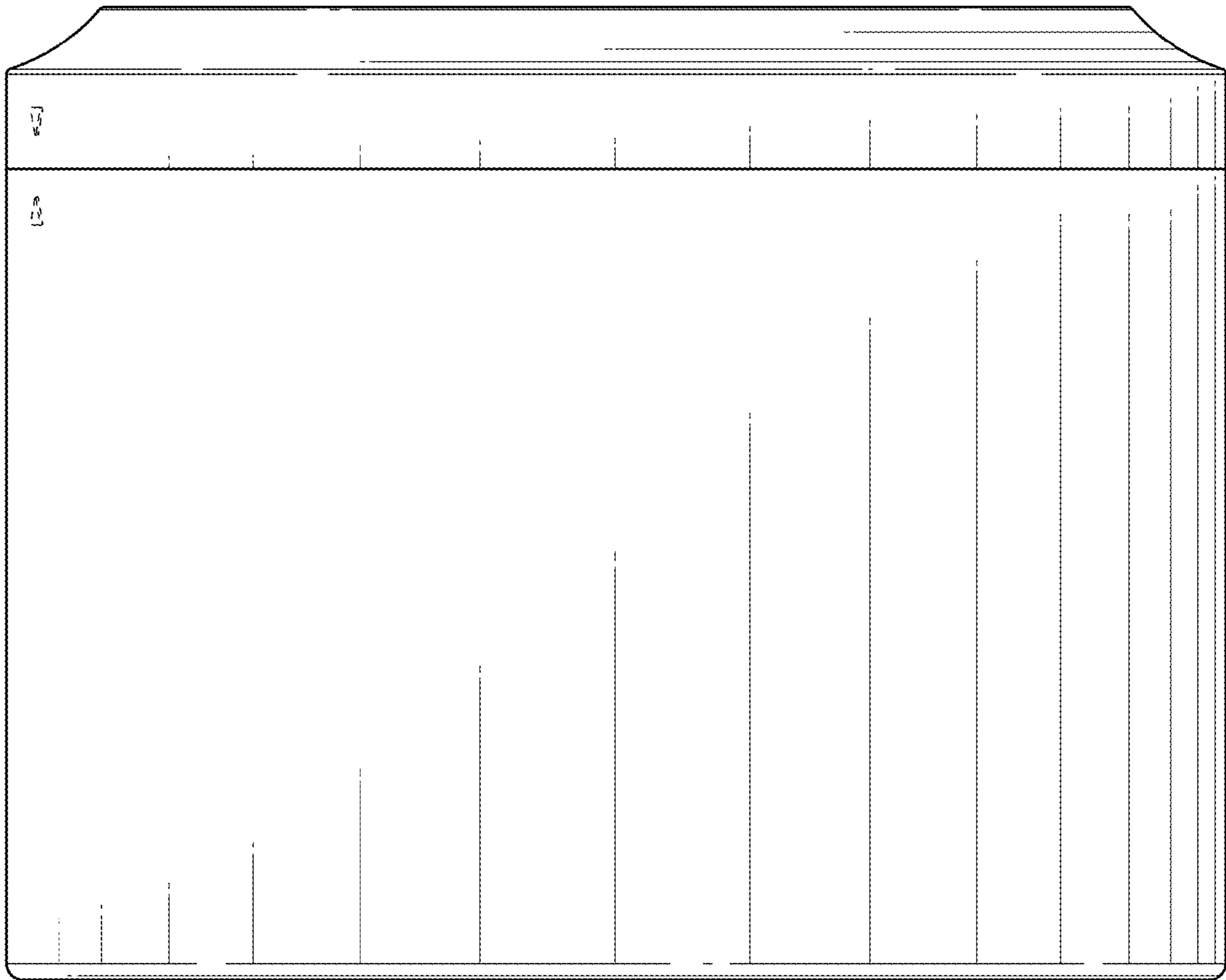


FIG. 45

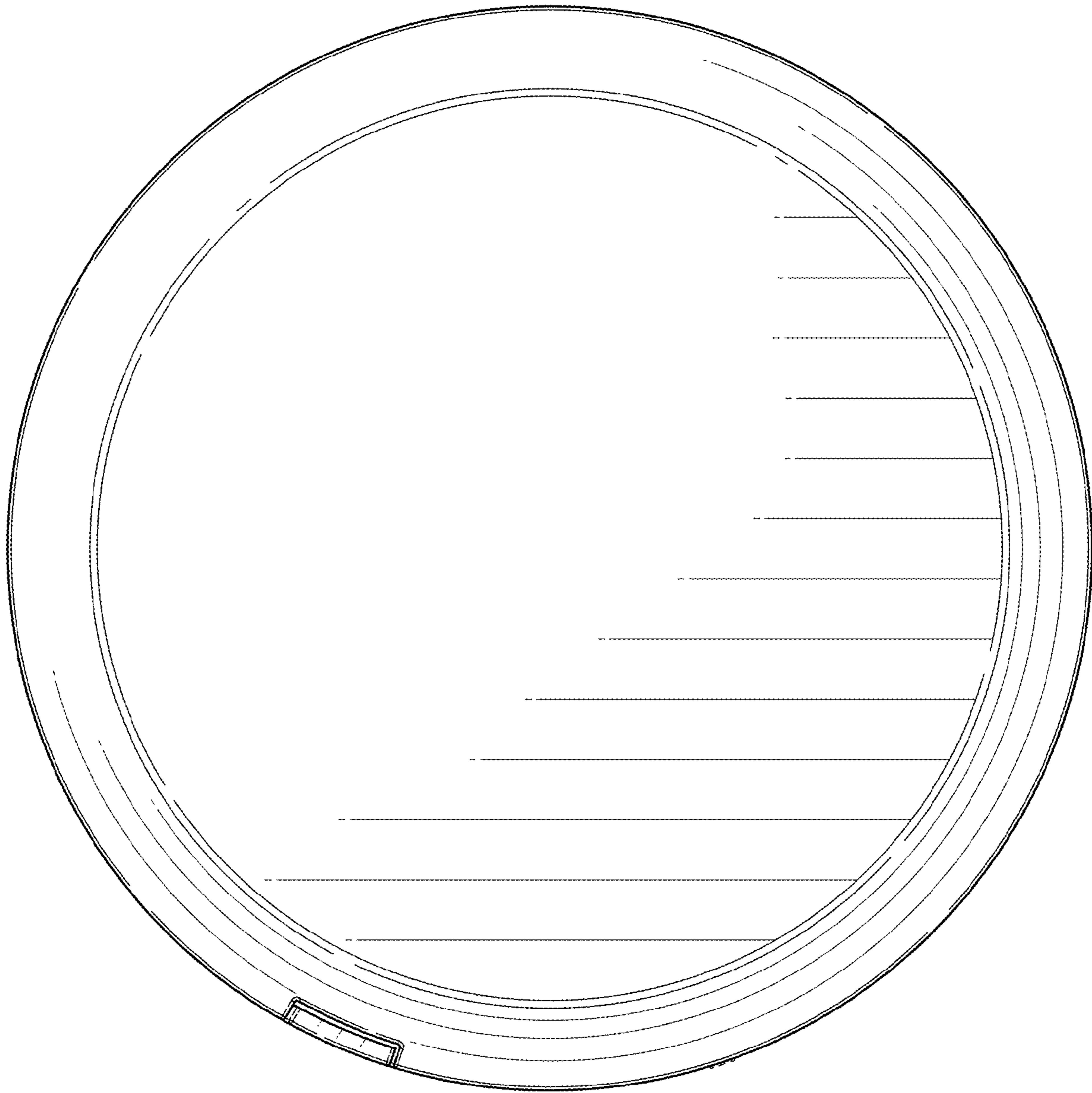


FIG. 46

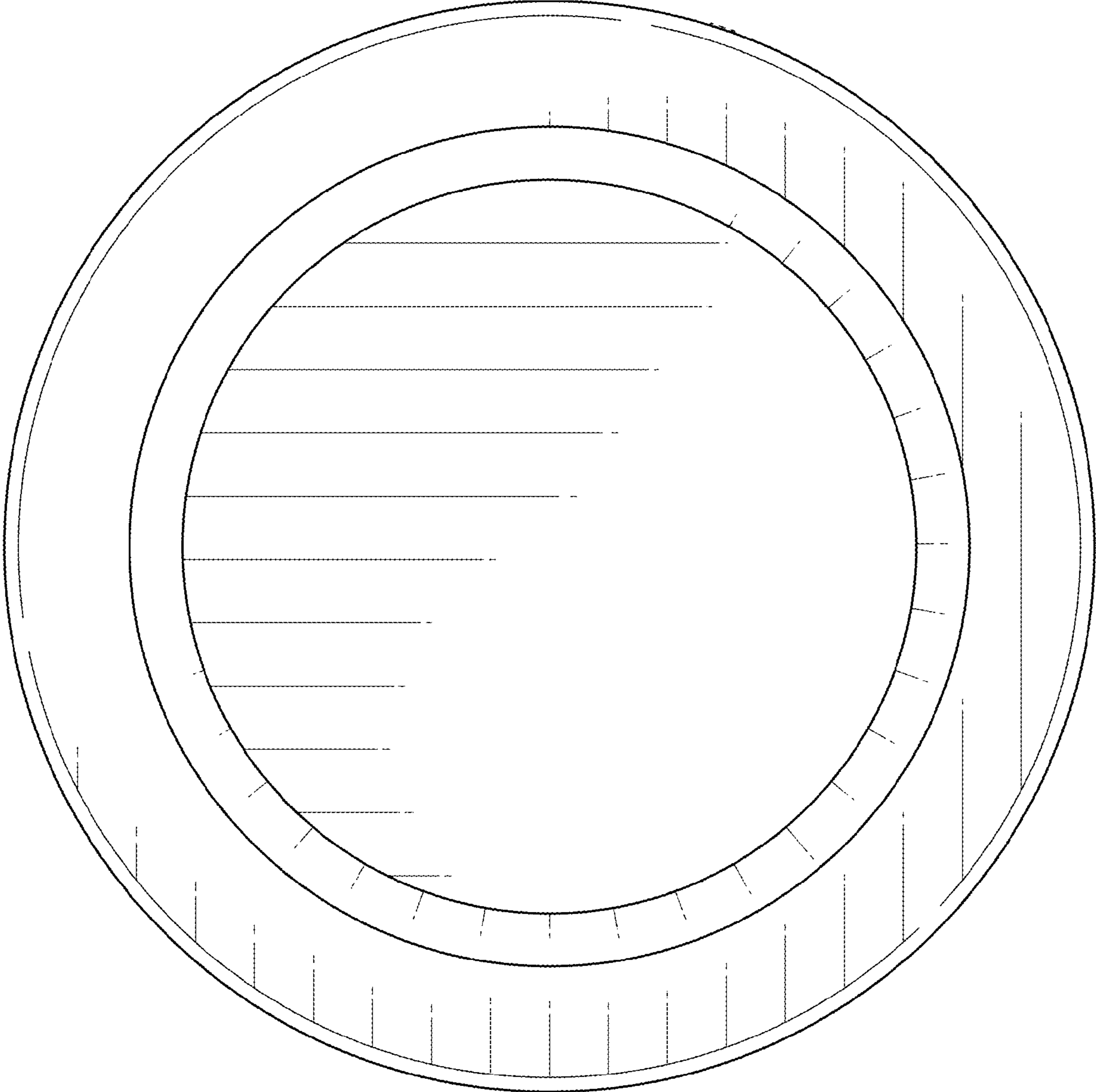


FIG. 47

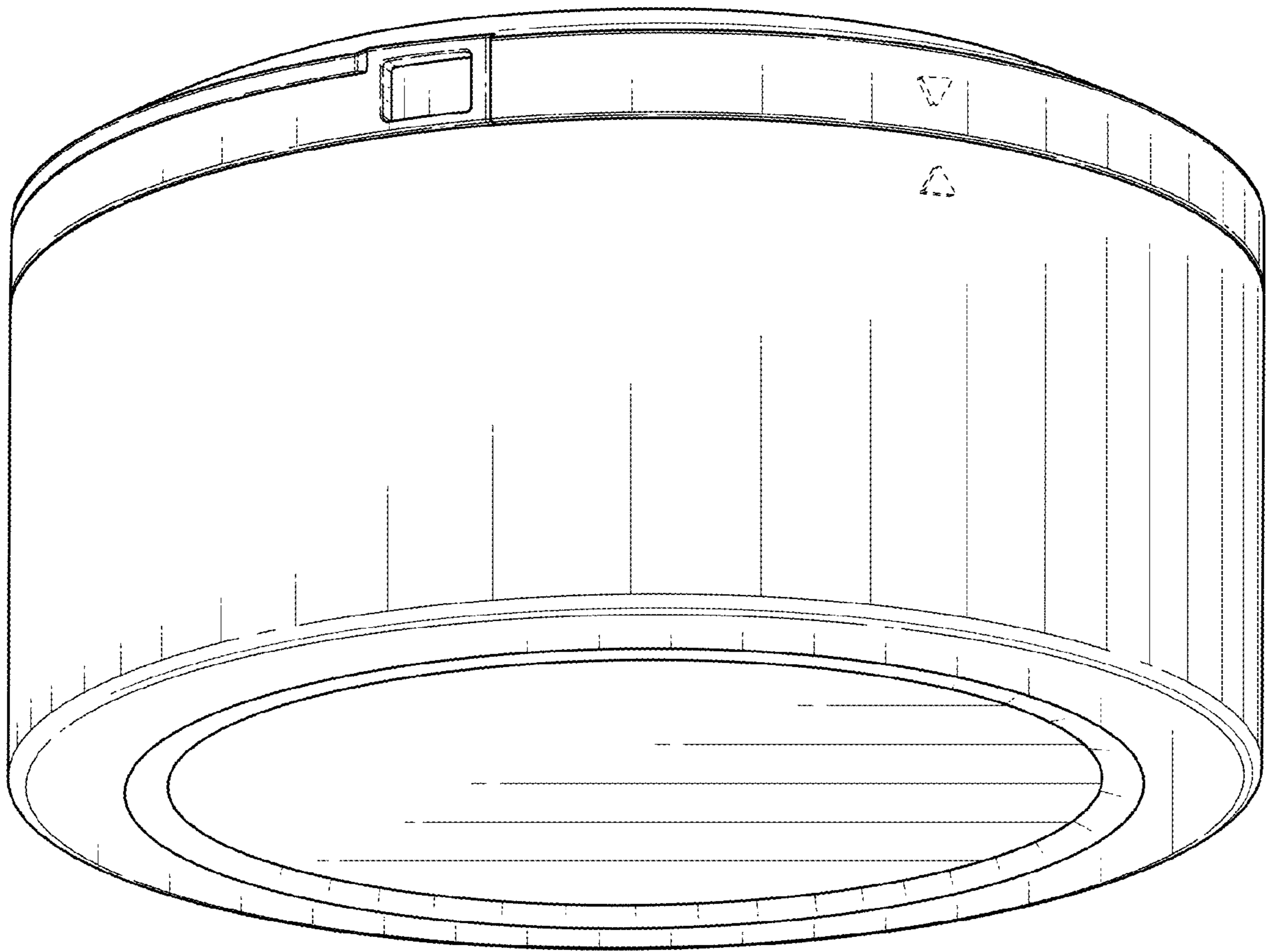


FIG. 48