



US00D978667S

(12) **United States Design Patent**
Darbyshire et al.

(10) **Patent No.:** **US D978,667 S**

(45) **Date of Patent:** **** Feb. 21, 2023**

(54) **BOTTLE**

(71) Applicant: **LEICA BIOSYSTEMS
MELBOURNE PTY LTD**, Mount
Waverly (AU)

(72) Inventors: **Paul Darbyshire**, Bentleigh Vic (AU);
Nicolas Guiraldenq, Highett Vic (AU);
Maxim Stanislaw Pamieta, South
Yarra Vic (AU)

(73) Assignee: **LEICA BIOSYSTEMS
MELBOURNE PTY LTD**, Mount
Waverly (AU)

(**) Term: **15 Years**

(21) Appl. No.: **29/715,091**

(22) Filed: **Nov. 27, 2019**

(30) **Foreign Application Priority Data**

May 30, 2019 (AU) 201912962

(51) **LOC (14) Cl.** **09-01**

(52) **U.S. Cl.**
USPC **D9/523**

(58) **Field of Classification Search**
USPC D9/522, 523, 527, 530, 531, 535, 543,
D9/572, 575
CPC B65D 1/02; B65D 1/0223; B65D 1/023;
B65D 1/0261; B65D 2501/0009; B65D
2501/0081; B65D 2501/009
See application file for complete search history.

(56) **References Cited**

U.S. PATENT DOCUMENTS

D351,394 S * 10/1994 Morris D15/152
D371,967 S * 7/1996 Miller D9/520

D373,532 S * 9/1996 Miller D9/520
D417,233 S * 11/1999 Sabonis D18/56
D462,621 S * 9/2002 DeKoning D9/560
D472,155 S * 3/2003 DeKoning D9/560
D505,076 S * 5/2005 Logan D9/528
D623,720 S * 9/2010 Brown D23/211.1
D670,170 S * 11/2012 Voelker D9/528
D764,295 S * 8/2016 Gieske D9/527
2008/0073317 A1 * 3/2008 Dygert B65D 77/0426
215/397

* cited by examiner

Primary Examiner — Janice Patyk

(74) *Attorney, Agent, or Firm* — Sughrue Mion, PLLC

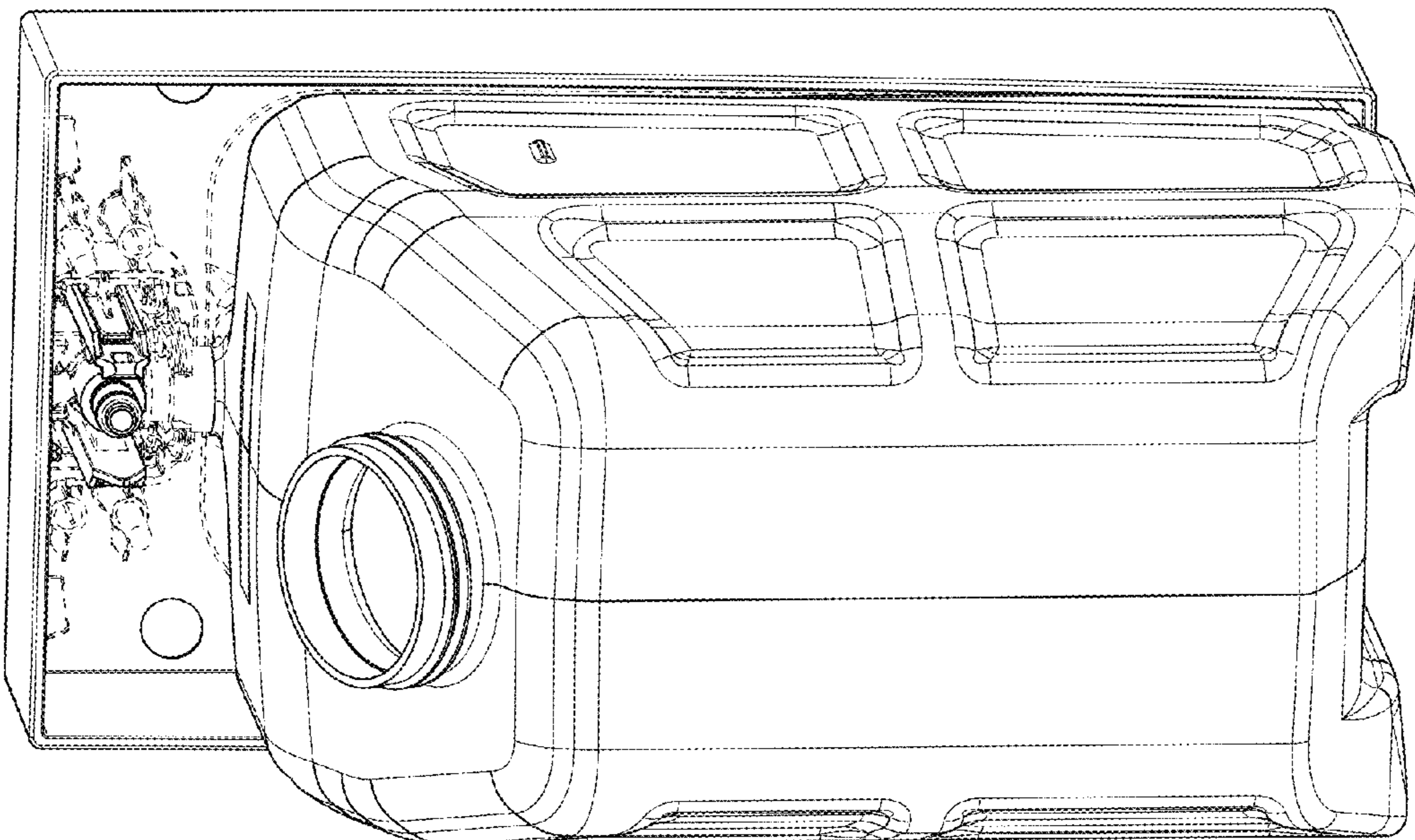
(57) **CLAIM**

The ornamental design for a bottle, as shown and described.

DESCRIPTION

FIG. 1 is a top, front, left side perspective view of a bottle, showing our new design;
FIG. 2 is a right side elevational view thereof;
FIG. 3 is a bottom plan view thereof;
FIG. 4 is a left side elevational view thereof;
FIG. 5 is a rear elevational view thereof; and,
FIG. 6 is a front elevational view thereof.
The broken lines in the figures illustrate the portions of the design that form no part of the claimed design
The dot-dash broken lines immediately adjacent to the claimed areas in FIG. 5 represent the boundaries of the design and form no part thereof.
None of the broken lines form any part of the claimed design.

1 Claim, 6 Drawing Sheets



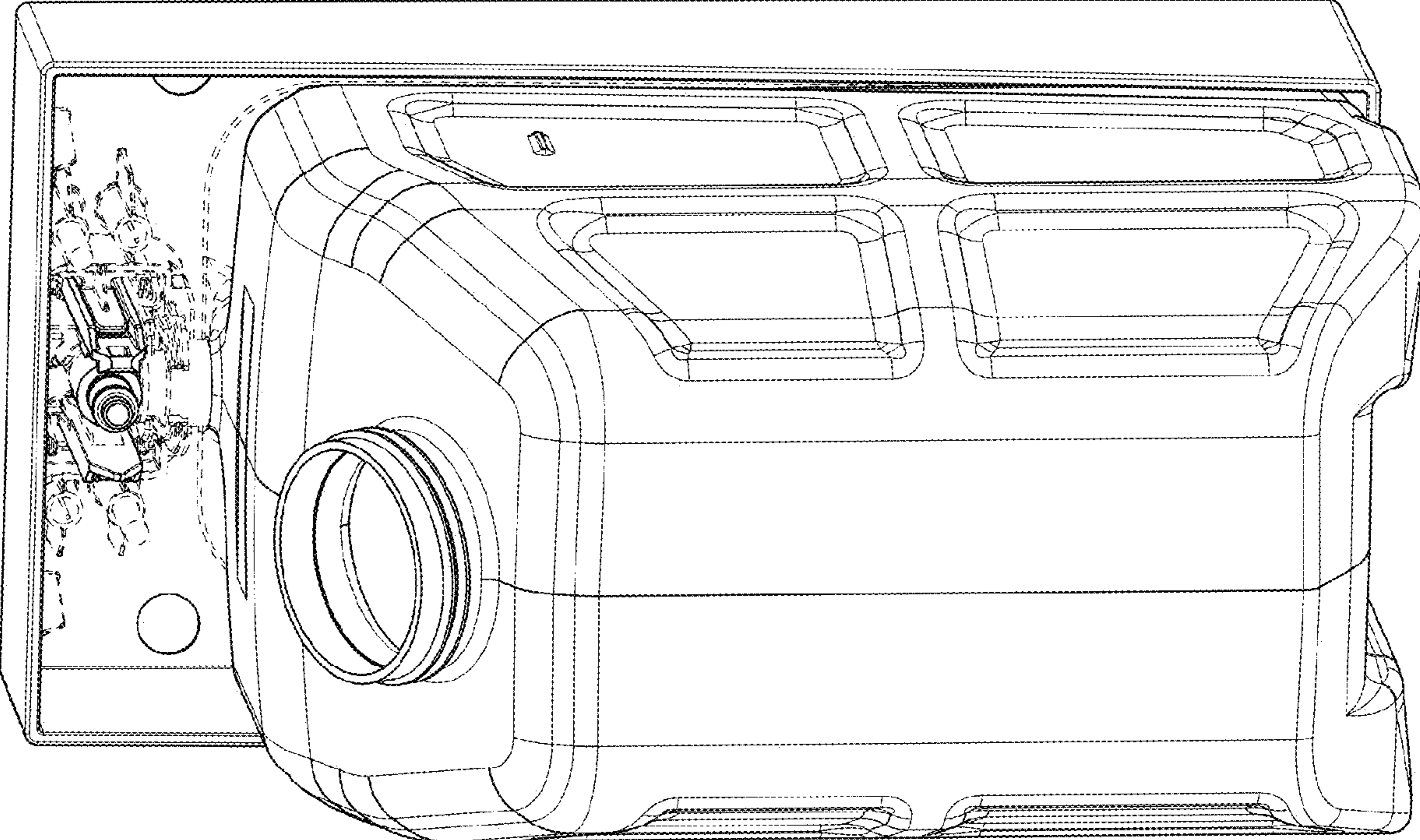


FIG. 1

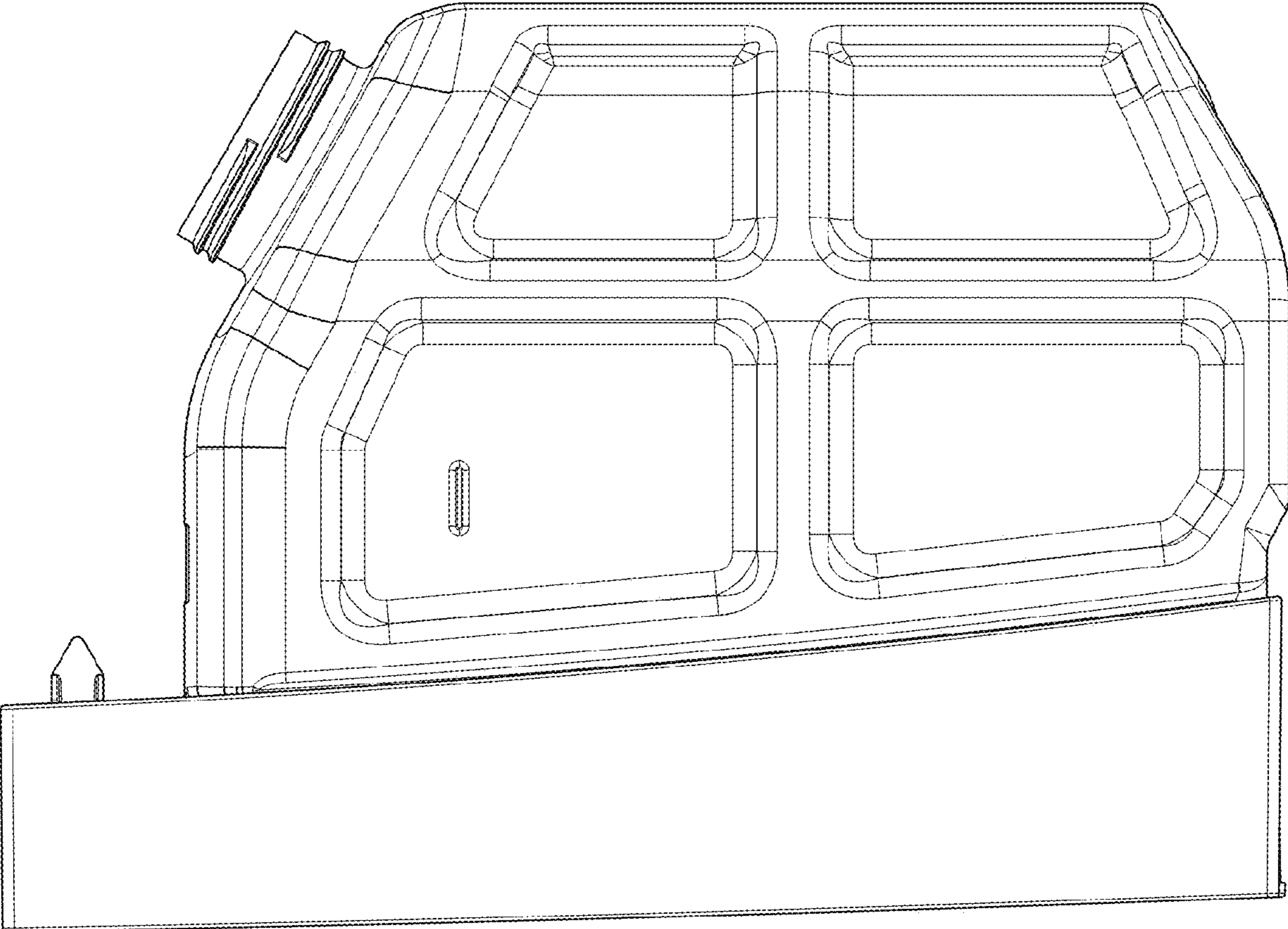


FIG. 2

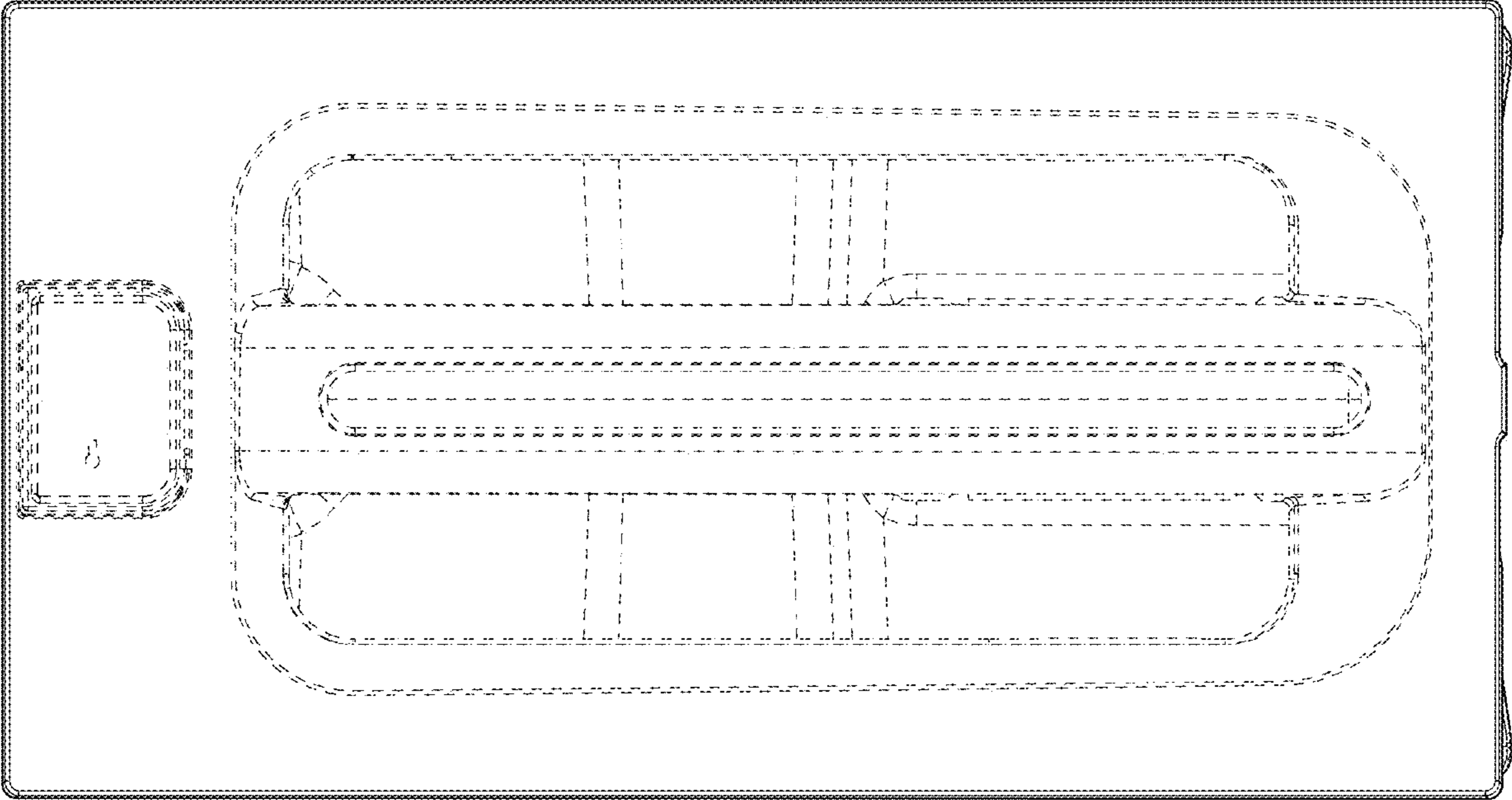


FIG. 3

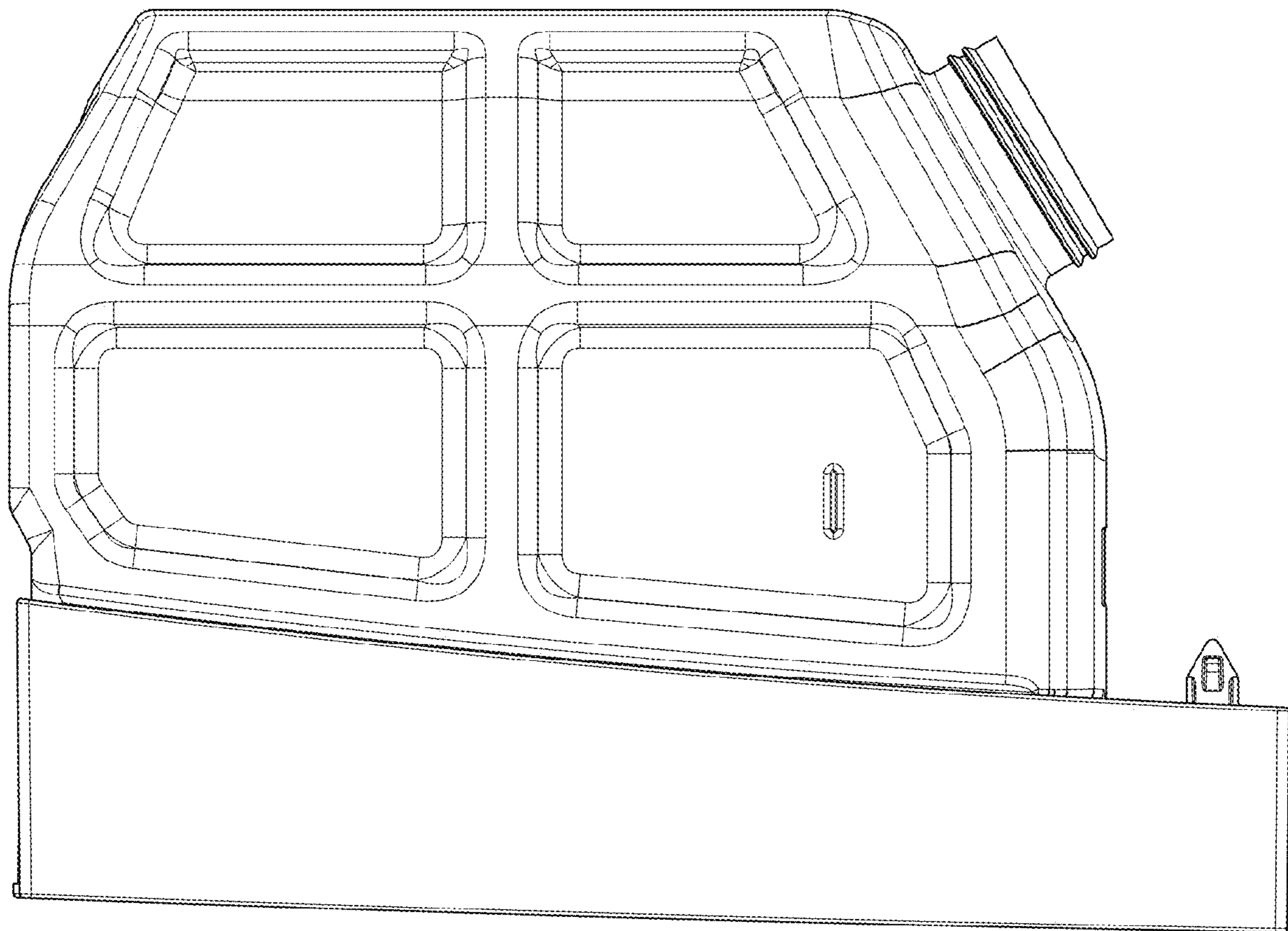


FIG. 4

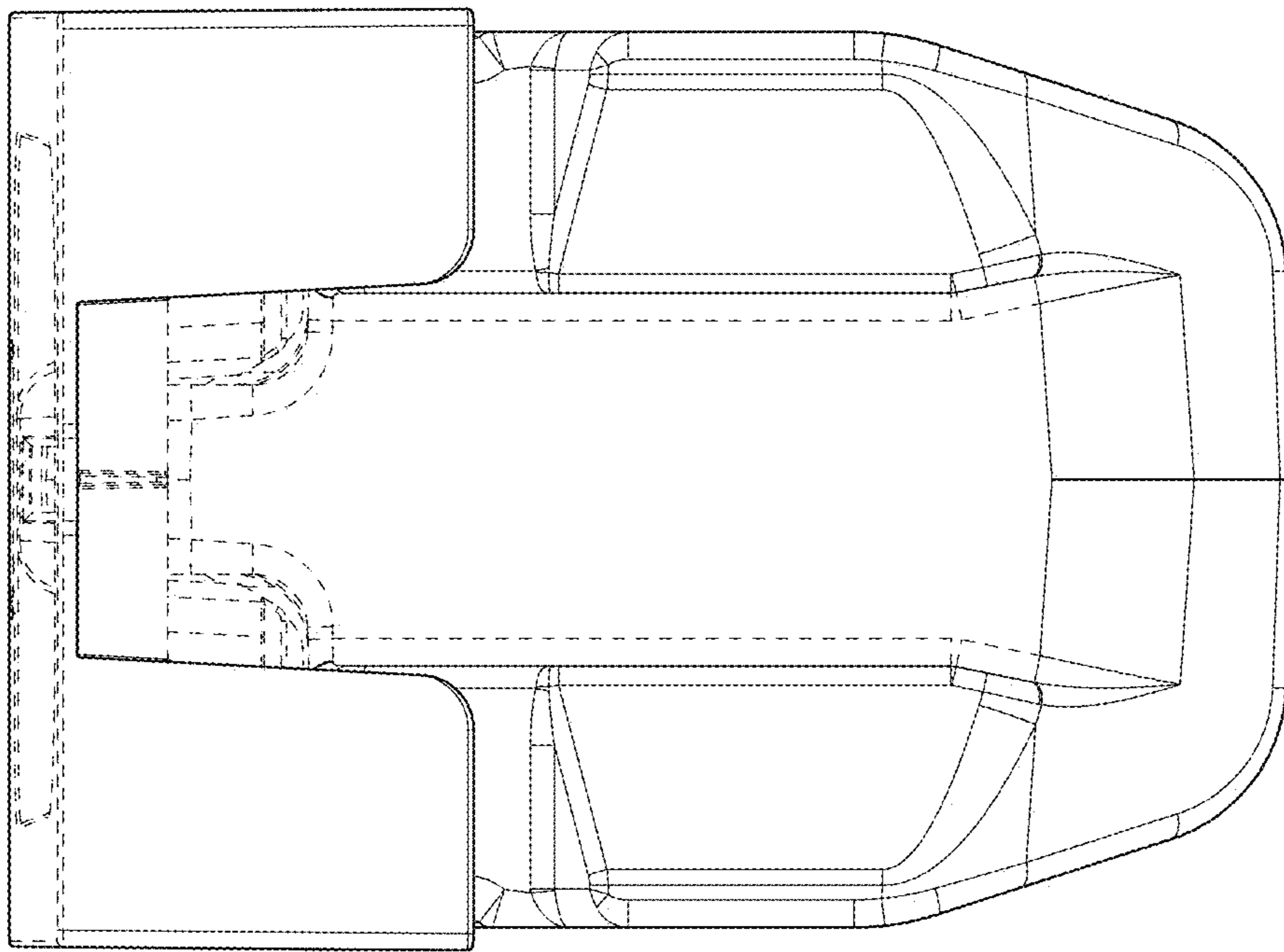


FIG. 5

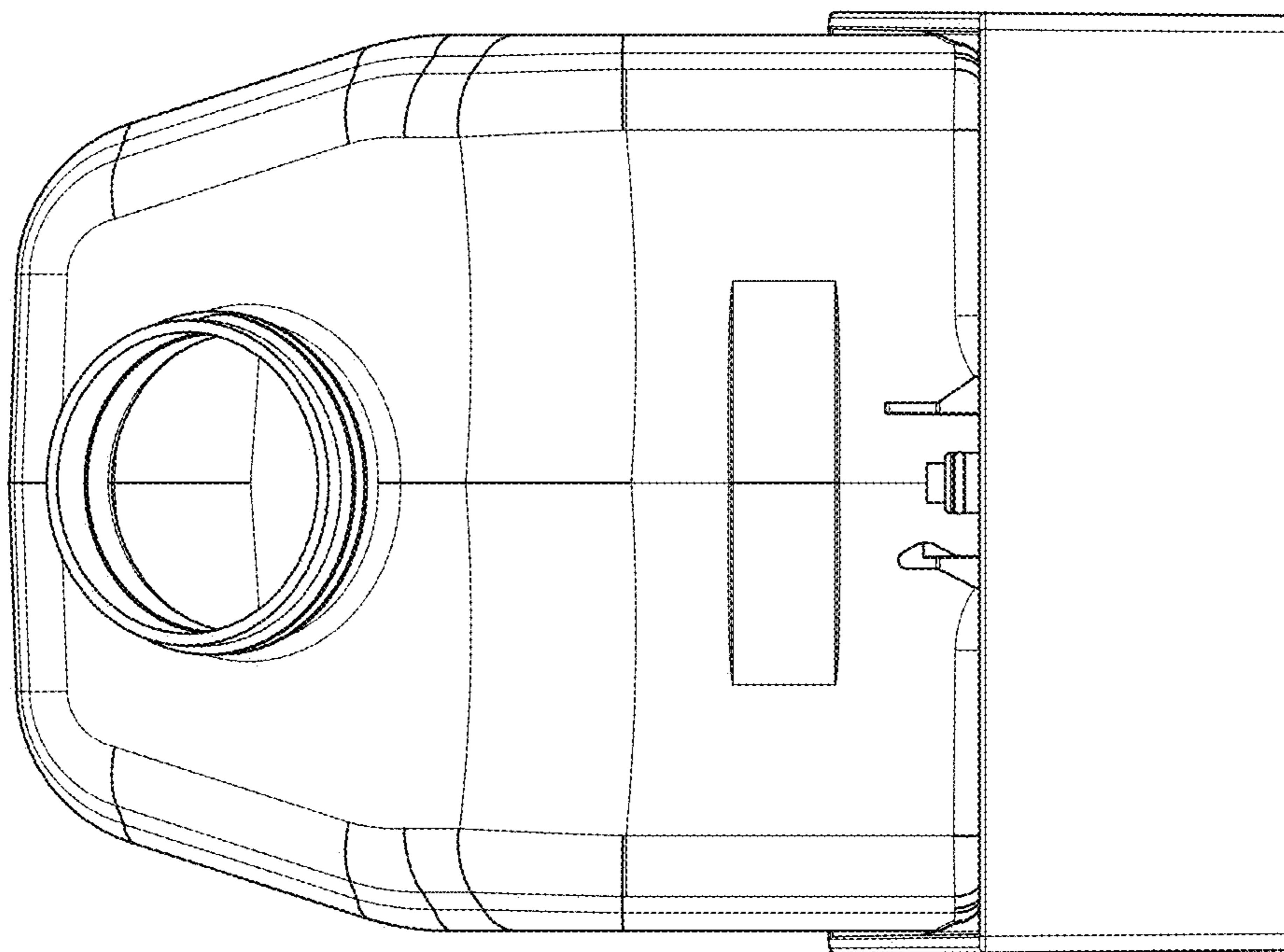


FIG. 6