



US00D978665S

(12) **United States Design Patent**
Kantati

(10) **Patent No.:** **US D978,665 S**

(45) **Date of Patent:** **** Feb. 21, 2023**

(54) **BEVERAGE CONTAINER LID**

(71) Applicant: **Kevin Kantati**, Leamington (CA)

(72) Inventor: **Kevin Kantati**, Leamington (CA)

(**) Term: **15 Years**

(21) Appl. No.: **29/780,629**

(22) Filed: **Apr. 26, 2021**

(51) **LOC (14) Cl.** **09-07**

(52) **U.S. Cl.**
USPC **D9/447**; D9/454

(58) **Field of Classification Search**
USPC D7/392.1, 396.2; D9/434–436, 440, 443,
D9/447, 449, 452–454, 499, 438;
D27/172, 183, 184, 186, 187, 189, 190,
D27/193–195
CPC B65D 41/34; B65D 41/04; B65D 51/16
See application file for complete search history.

(56) **References Cited**

U.S. PATENT DOCUMENTS

- D32,681 S * 5/1900 Morgenthaler D9/434
- 3,374,921 A * 3/1968 Kelley B65D 17/506
D9/443
- 3,443,735 A * 5/1969 Meijers B65D 15/02
229/117.27
- D215,417 S * 9/1969 MacDonald D9/434
- 4,284,200 A 8/1981 Bush
- D262,192 S * 12/1981 Wedge D9/435
- D285,778 S * 9/1986 Smith D9/434
- D288,891 S * 3/1987 Saito D7/391
- 4,938,379 A 7/1990 Kellner
- 4,969,570 A * 11/1990 Harvey, Sr. B65D 25/20
D9/434
- D315,309 S * 3/1991 Baughman D9/434
- 5,105,964 A 4/1992 Heath
- D390,111 S * 2/1998 McCarrick D9/434
- D390,461 S * 2/1998 Piselli D9/435
- D415,027 S * 10/1999 Blazar D9/454
- D451,338 S * 12/2001 Fradkin D7/392.1

- D458,129 S * 6/2002 Foster D9/434
- 6,659,833 B1 12/2003 Sloot
- D513,181 S * 12/2005 Bloom D9/453
- D516,911 S * 3/2006 Bloom D9/453
- D526,840 S * 8/2006 Carlson D7/392.1
- D571,199 S * 6/2008 Petrosino D9/454
- D623,056 S * 9/2010 Sessa D9/434
- D625,183 S * 10/2010 Bartsch D9/434

(Continued)

FOREIGN PATENT DOCUMENTS

WO WO2007096441 8/2007

OTHER PUBLICATIONS

The Free Press. New, recyclable cannabis containers ready for blue bin. Oct. 28, 2019. <https://www.winnipegfreepress.com/arts-and-life/life/cannabis/2019/10/28/new-easy-to-recycle-cannabis-containers-ready-for-the-blue-bin> (Year: 2019).*

(Continued)

Primary Examiner — Darcey E Gottschalk

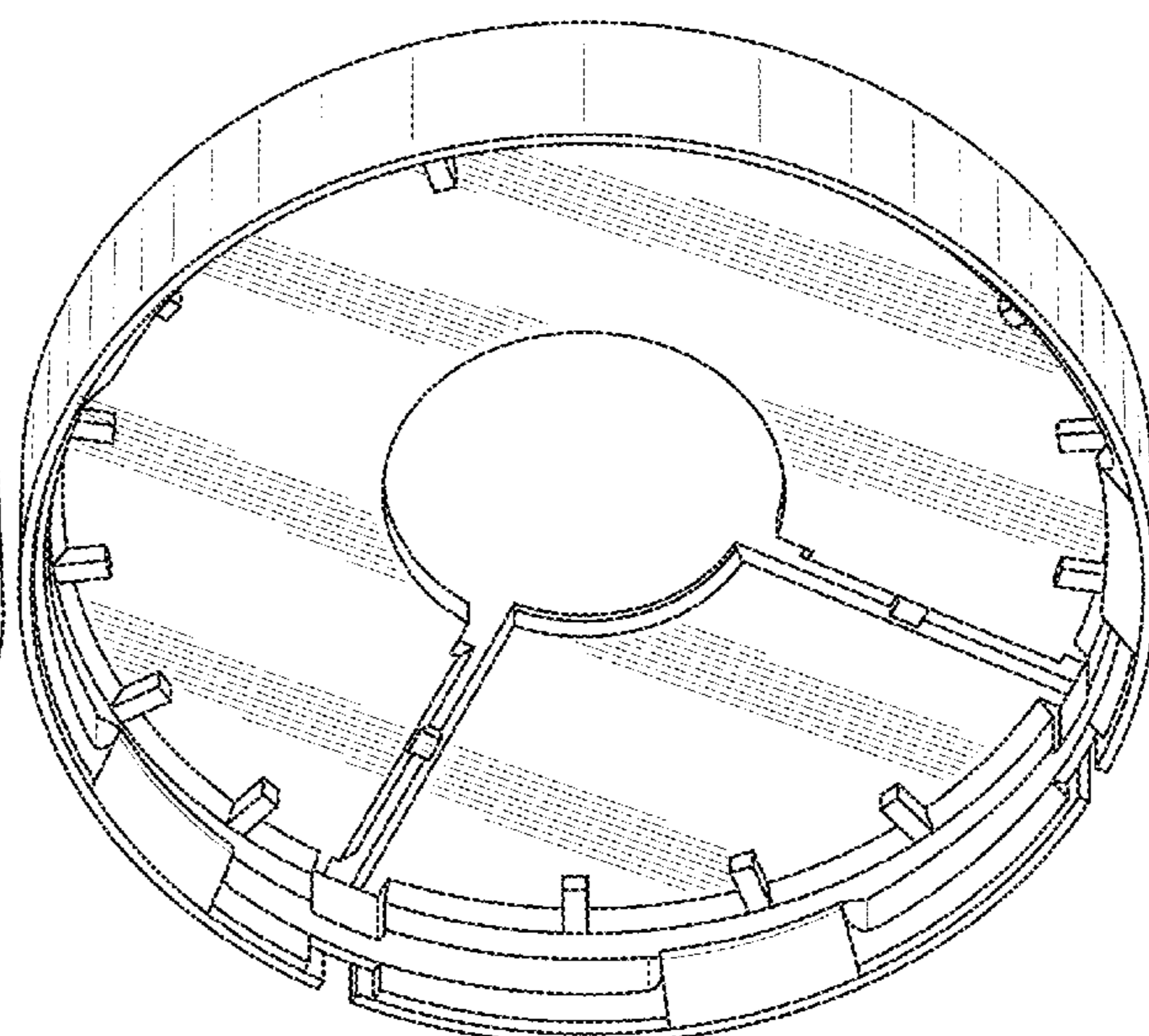
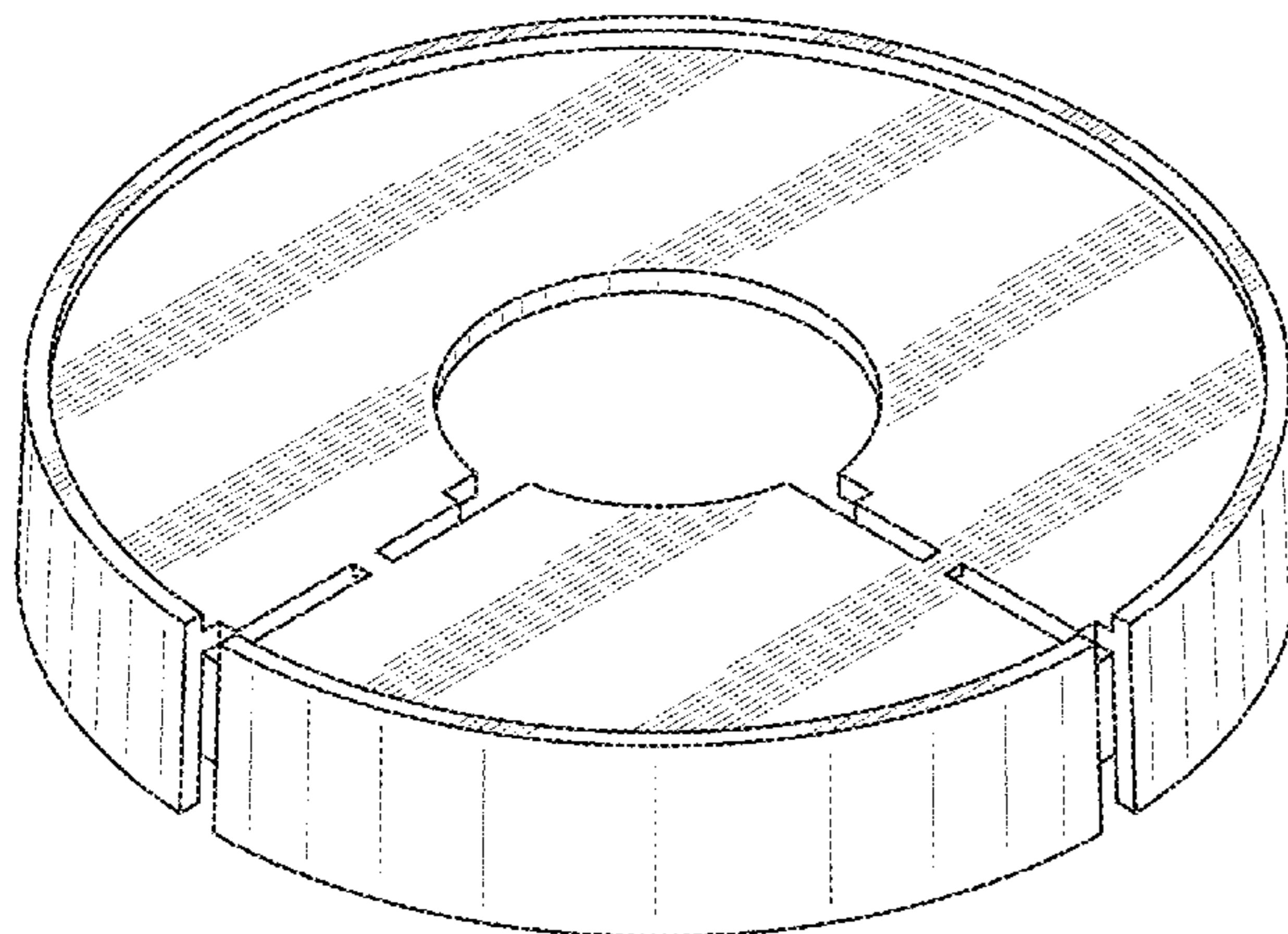
(57) **CLAIM**

The ornamental design for a beverage container lid, as shown and described.

DESCRIPTION

FIG. 1 is a front view of a beverage container lid showing my new design;
FIG. 2 is a rear view of the beverage container lid;
FIG. 3 is a right side view of the beverage container lid;
FIG. 4 is a left side view of the beverage container lid;
FIG. 5 is a top view of the beverage container lid;
FIG. 6 is a bottom view of the beverage container lid;
FIG. 7 is a top front side perspective view of the beverage container lid; and,
FIG. 8 is a bottom rear side perspective view of the beverage container lid.

1 Claim, 4 Drawing Sheets



(56)

References Cited

U.S. PATENT DOCUMENTS

D718,136 S * 11/2014 Harrity D9/499
D730,183 S * 5/2015 Fahl D24/155
D751,394 S * 3/2016 Chartier D9/440
D820,678 S 6/2018 Chapman
D855,390 S * 8/2019 Lullie D7/392.1
D873,139 S * 1/2020 Chapin D9/453
D875,528 S 2/2020 Houliaris
D877,558 S * 3/2020 Dorfmueller D7/391
D884,472 S * 5/2020 Matauch D7/392.1
D927,926 S * 8/2021 Jin D7/392.1
D957,940 S * 7/2022 Borg D9/452

OTHER PUBLICATIONS

The Growth Op. Windsor-area conference to look at pot's 'crazy' potential for local economy. Oct. 18, 2018. <https://www.thegrowthop.com/news/local-news/conference-to-look-at-pots-crazy-potential-for-local-economy/wcm/e5aa6aa5-2188-4d20-90bf-3de7b81be9a8> (Year: 2018).*

Packaging Insights. PakTech debuts child-resistant cannabis beverage cap boasting 100% recycled plastic. Jan. 28, 2021. <https://www.packaginginsights.com/news/paktech-debuts-child-resistant-cannabis-beverage-cap-boasting-100-recycled-plastic.html> (Year: 2021).*

Compliant. The Lever Lid: The Superior Alternative to Weed Packaging Cans. Dec. 28, 2020. <https://compliantpackaging.com/lever-lid-weed-packaging-cans/> (Year: 2020).*

* cited by examiner

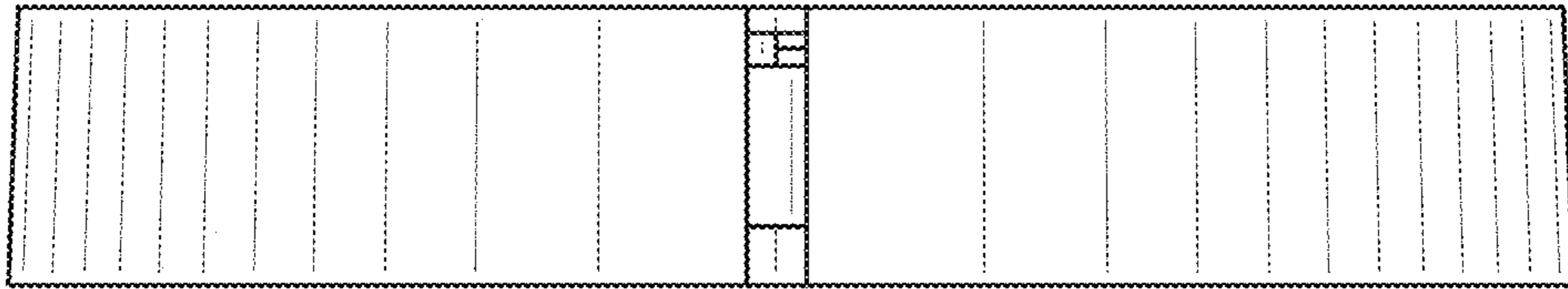


FIG. 1

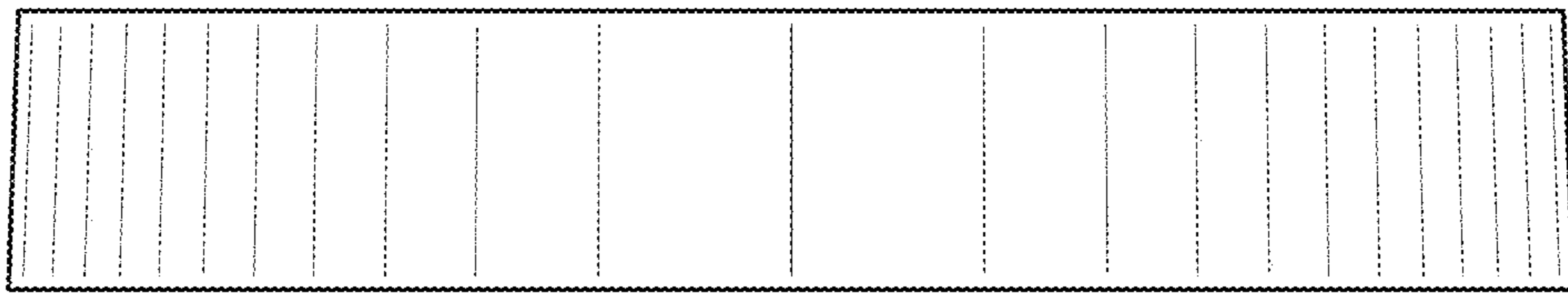


FIG. 2

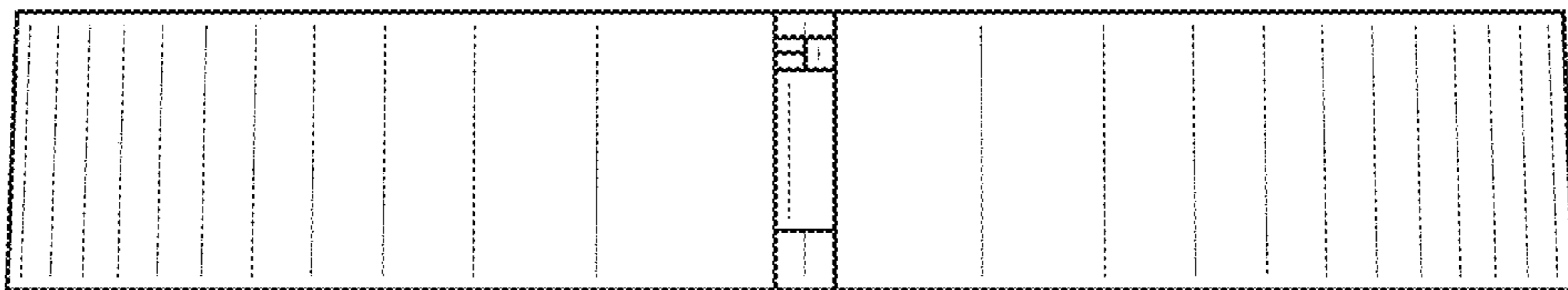


FIG. 3

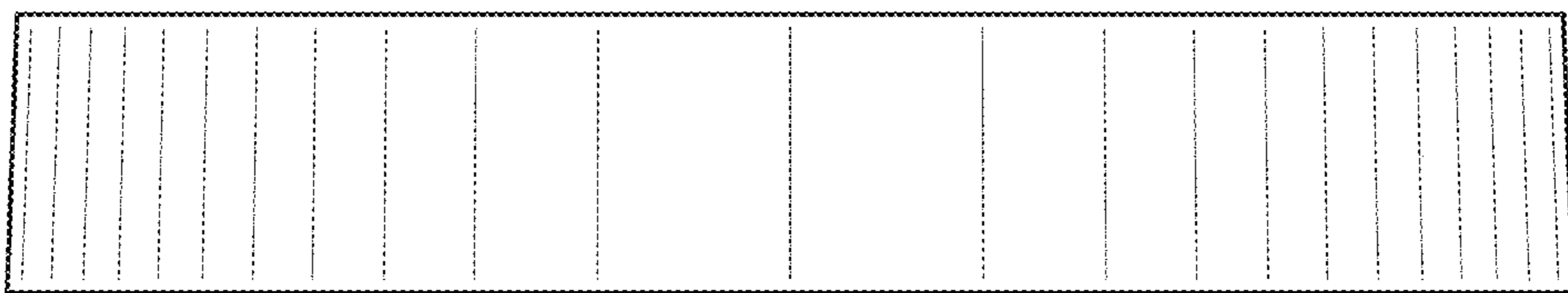


FIG. 4

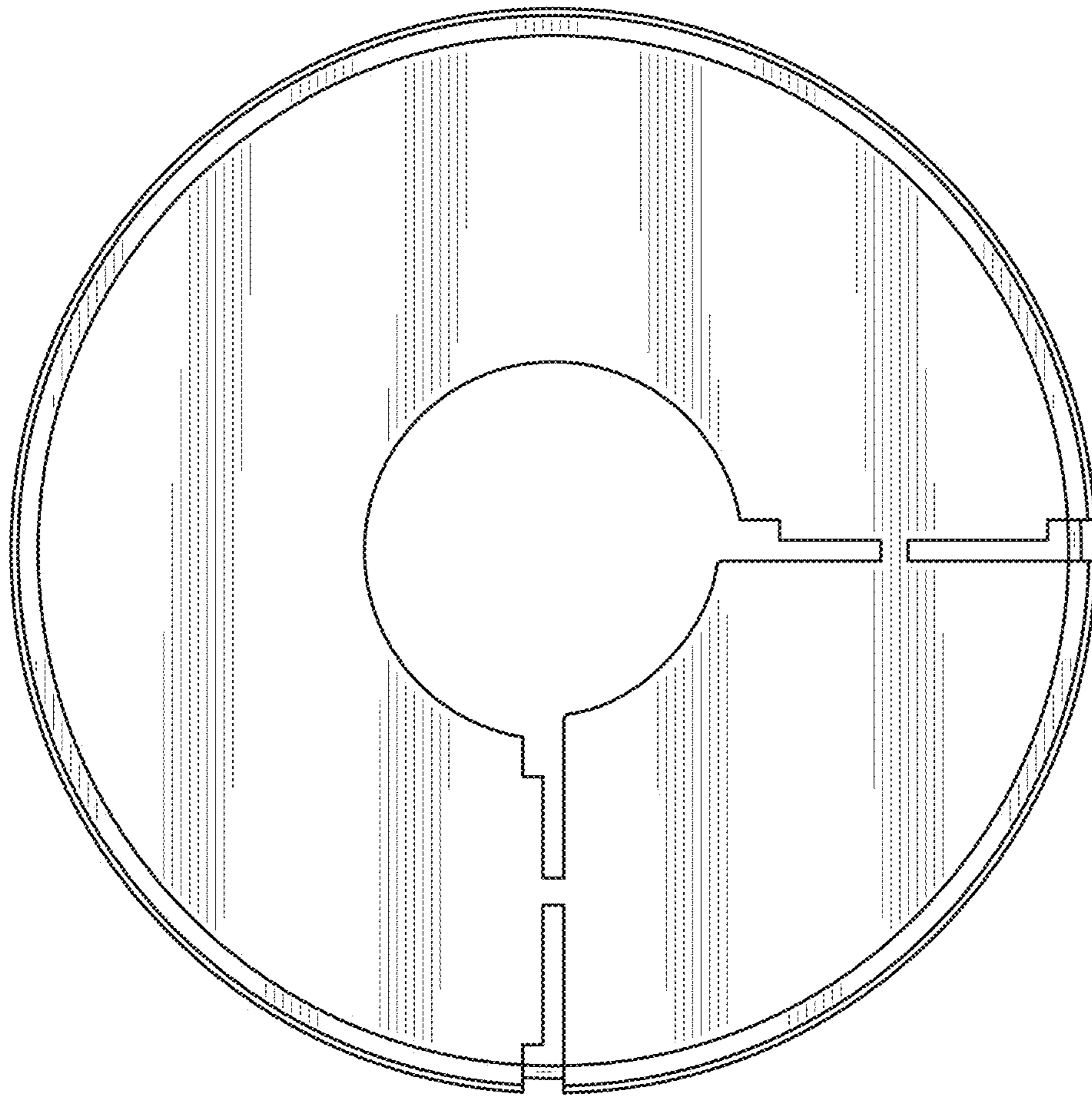


FIG. 5

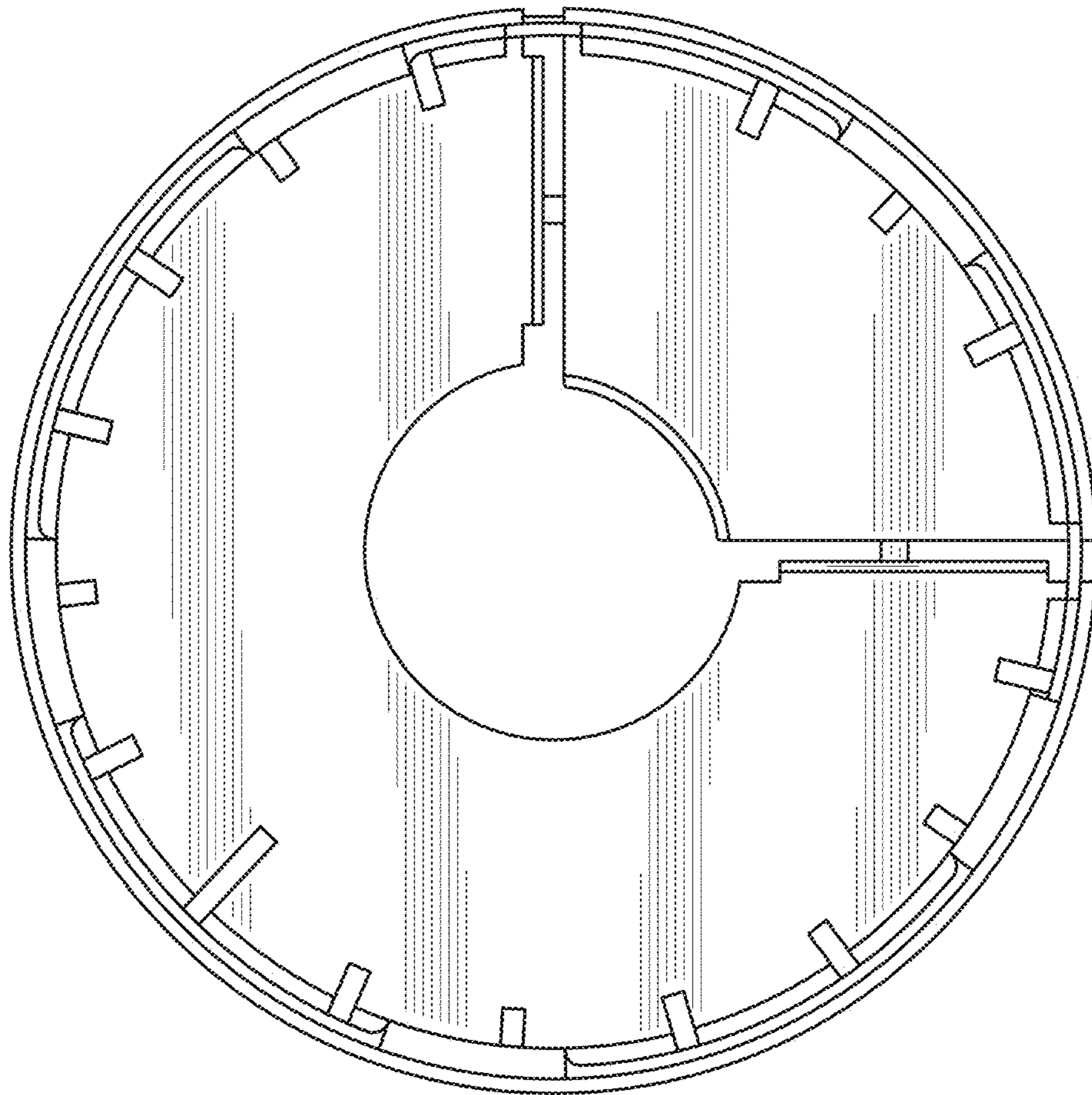


FIG. 6

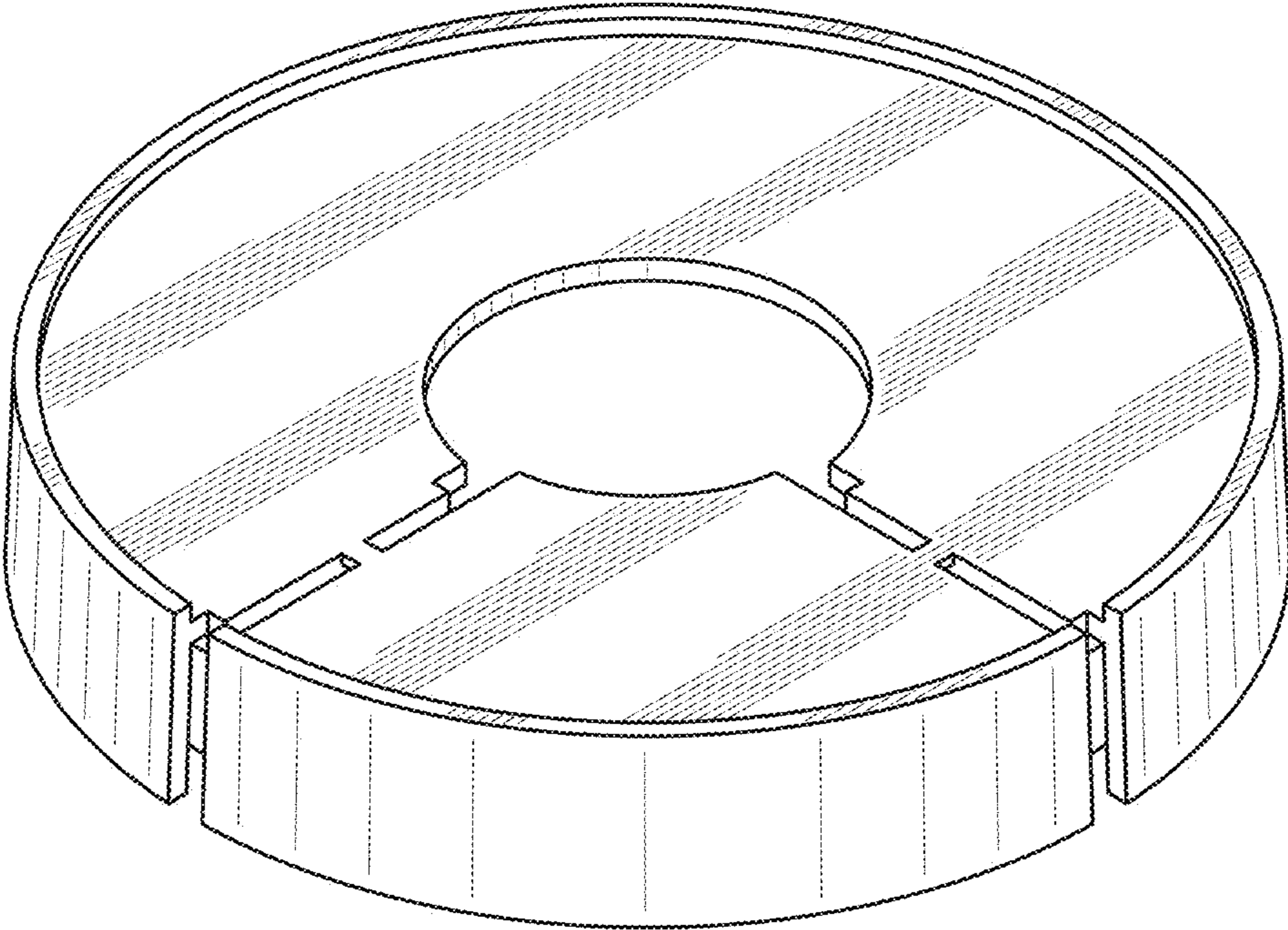


FIG. 7

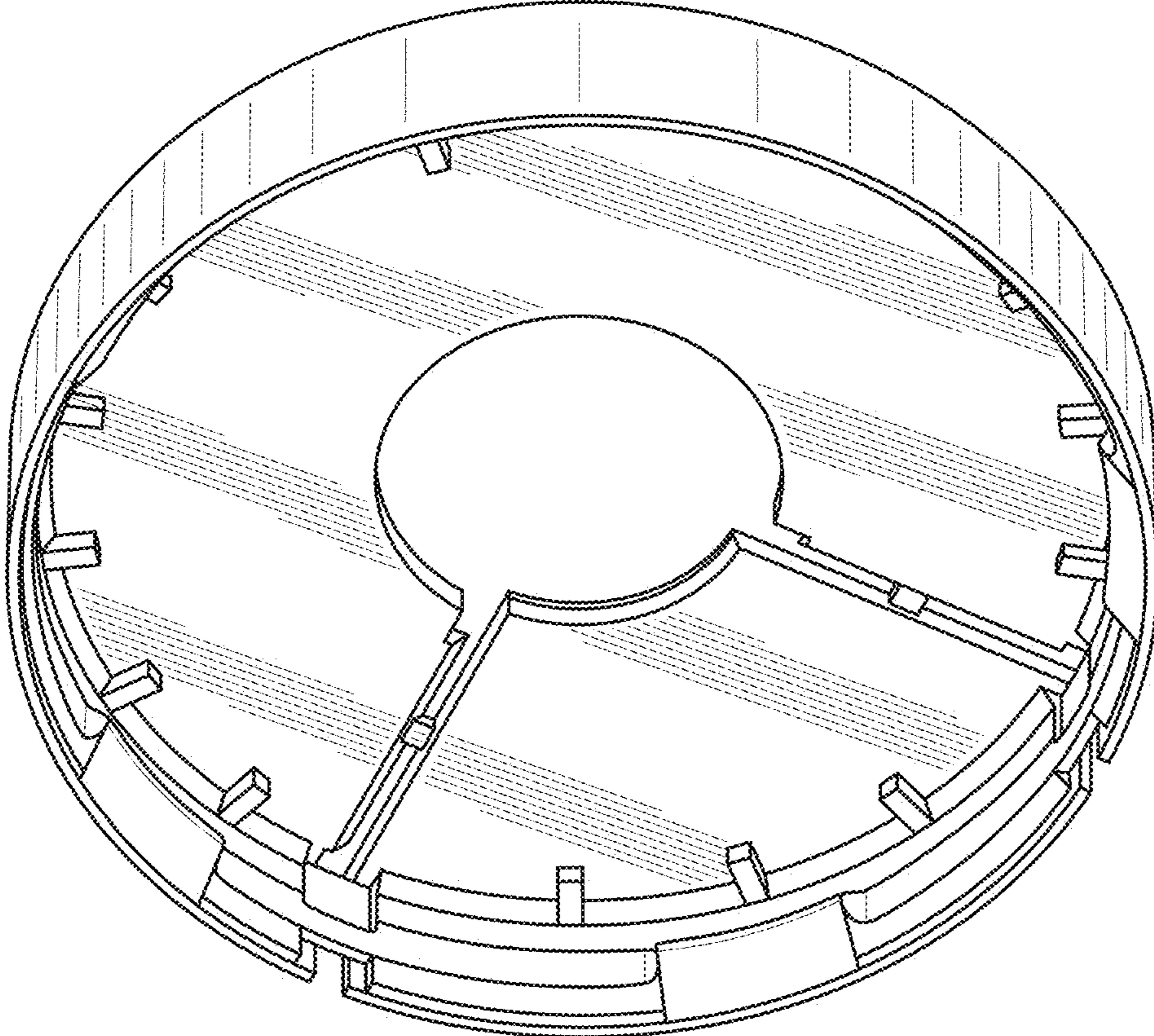


FIG. 8