



US00D978664S

(12) **United States Design Patent**
Patel et al.

(10) **Patent No.:** **US D978,664 S**

(45) **Date of Patent:** **** Feb. 21, 2023**

(54) **CONTAINER LID**

(71) Applicant: **American Snuff Company, LLC**,
Memphis, TN (US)

(72) Inventors: **Pankaj Patel**, Clemmons, NC (US);
Margaret Brennan Wilson,
Winston-Salem, NC (US); **James**
Demopoulos, Durham, NC (US)

(73) Assignee: **American Snuff Company, LLC**,
Memphis, TN (US)

(**) Term: **15 Years**

(21) Appl. No.: **29/737,468**

(22) Filed: **Jun. 9, 2020**

(51) **LOC (14) Cl.** **09-07**

(52) **U.S. Cl.**
USPC **D9/435; D9/454**

(58) **Field of Classification Search**
USPC D7/392.1, 396.2; D9/434–436, 454, 499;
D27/172, 183, 186, 189, 190–193
CPC ... A24F 23/00; B65D 43/0212; B65D 50/043;
B65D 53/04; B65D 2215/00; B65D
2543/00092

See application file for complete search history.

(56) **References Cited**

U.S. PATENT DOCUMENTS

D212,843 S *	12/1968	Hart	D9/452
3,480,177 A *	11/1969	Elliot	B65D 43/0212 206/509
D251,827 S *	5/1979	Commisso	D7/392.1
D281,758 S *	12/1985	Trombly	D7/629
D286,026 S *	10/1986	Rayner	D9/435
4,732,288 A *	3/1988	Morris, Sr.	B65D 50/045 215/214
D526,564 S *	8/2006	Slavin	D9/454
D535,880 S *	1/2007	Penfold	D9/454
D584,152 S *	1/2009	VerWeyst	D9/454
D609,568 S *	2/2010	Mazurkiewicz	D9/449

D731,239 S *	6/2015	Rothfield	D7/392.1
9,717,272 B2 *	8/2017	Patel	B65D 81/26
D871,834 S *	1/2020	Sarnoff	D7/392.1
10,526,115 B1 *	1/2020	Hawry	B65D 1/165
10,548,347 B2 *	2/2020	Playford	A24F 23/00
D897,849 S *	10/2020	Hawry	D9/503
D944,643 S *	3/2022	D'Amato	D9/435
D946,399 S *	3/2022	Whincup	D9/438
D947,675 S *	4/2022	Yamada	D9/454

(Continued)

OTHER PUBLICATIONS

Youtube. New Grizzly BIG CAN Review! (2020)—chrisdips1. Oct. 15, 2020. <https://www.youtube.com/watch?v=X8ySAFSWw-g> (Year: 2020).*

(Continued)

Primary Examiner — Darcey E Gottschalk

(74) *Attorney, Agent, or Firm* — Womble Bond Dickinson (US) LLP

(57) **CLAIM**

The ornamental design for a container lid, as shown and described.

DESCRIPTION

FIG. 1 is top perspective view of the container lid showing our new design;

FIG. 2 is a top view thereof;

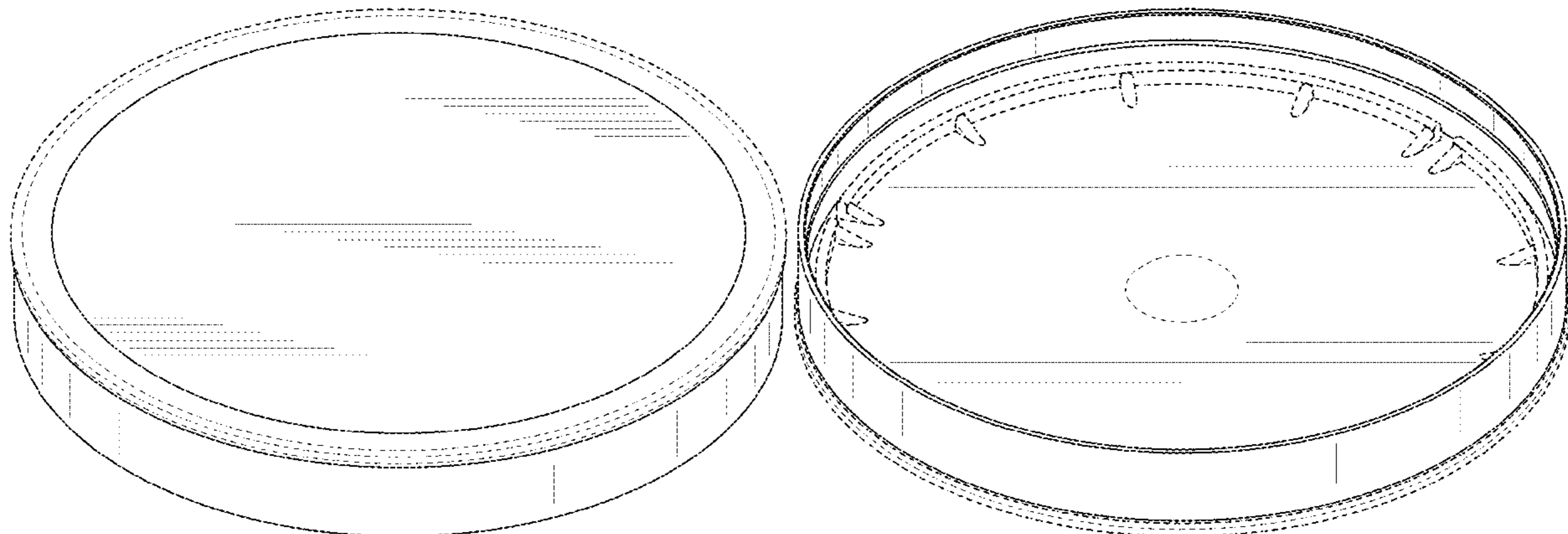
FIG. 3 is a side thereof, all side views of the container lid being substantially identical;

FIG. 4 is a bottom perspective view thereof; and,

FIG. 5 is a bottom view thereof.

The broken lines shown herein depict environmental subject matter only and form no part of the claimed design. For clarity, the matching sets of solid, horizontal lines are used to illustrate the metal material components and differentiate from the polymeric material components, which form a part of the claimed design.

1 Claim, 5 Drawing Sheets



(56)

References Cited

U.S. PATENT DOCUMENTS

D948,959 S * 4/2022 Tsai D7/397
D955,217 S * 6/2022 Choi D7/392.1
D957,938 S * 7/2022 Noh D9/454
2009/0230003 A1* 9/2009 Thiellier B65D 25/205
206/265
2015/0136618 A1* 5/2015 Patel B65D 81/22
206/0.5

OTHER PUBLICATIONS

The Wall Street Journal. Altria Investigating Whether Recalled Tobacco Products Were Tampered With—Jennifer Maloney. Feb. 3, 2017. <https://www.wsj.com/articles/altria-investigating-whether-recalled-tobacco-products-were-tampered-with-1486152476> (Year: 2017).*

* cited by examiner

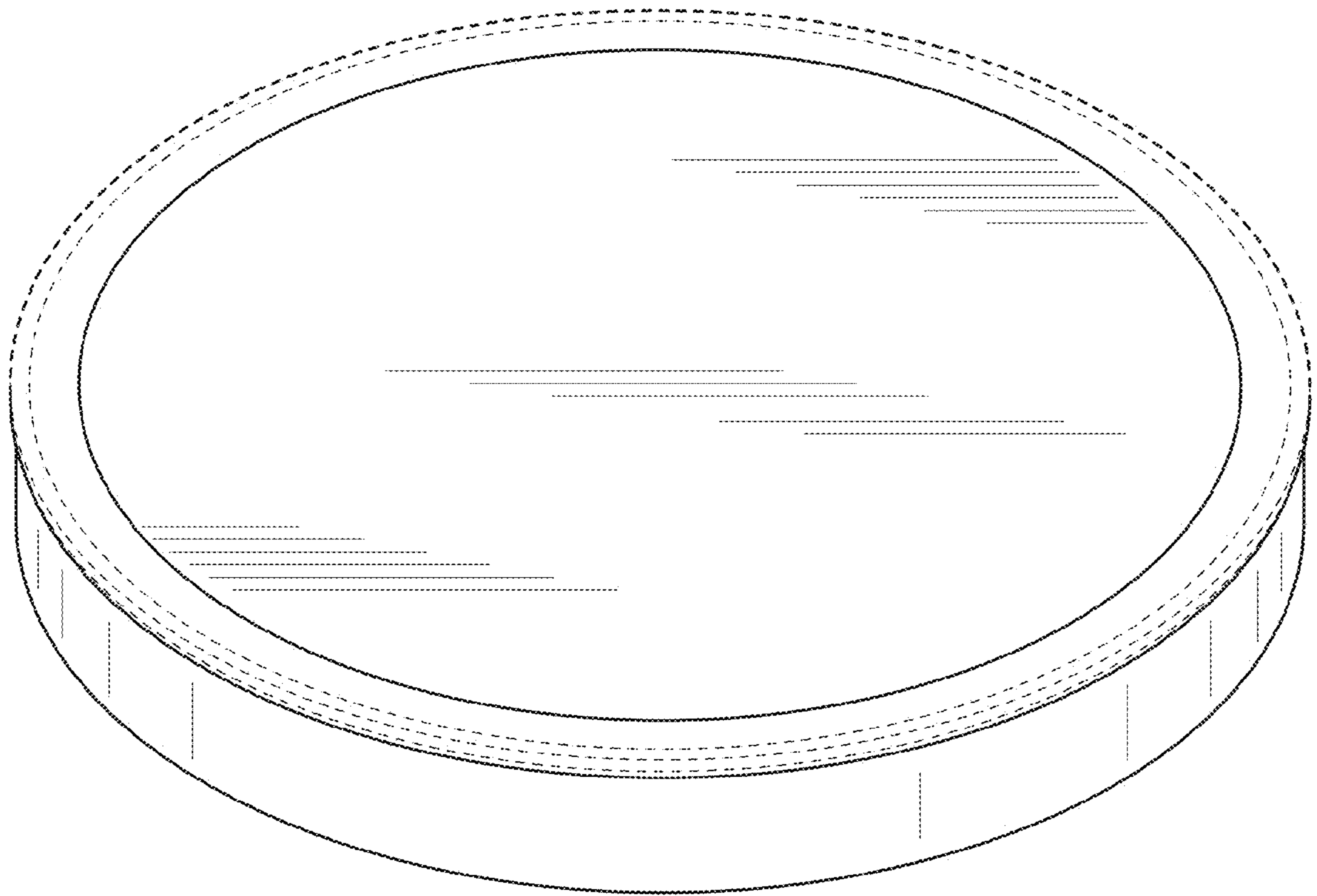


FIG. 1

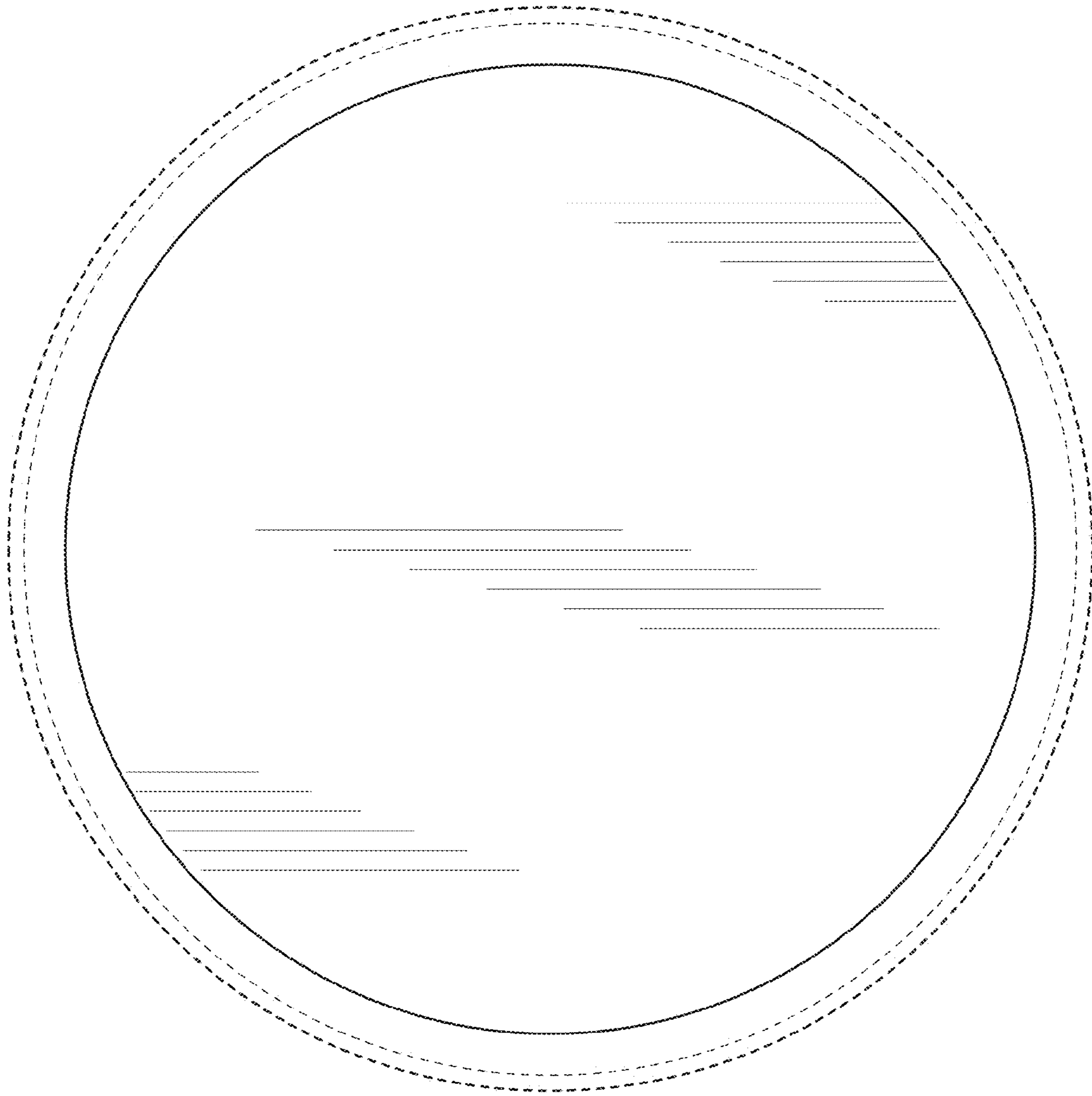


FIG. 2

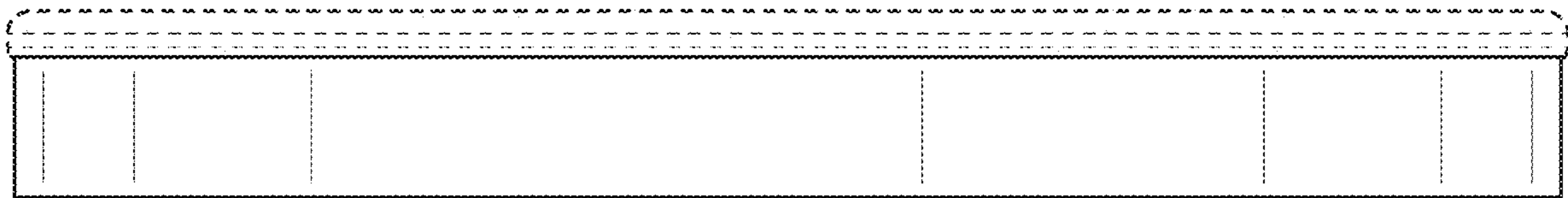


FIG. 3

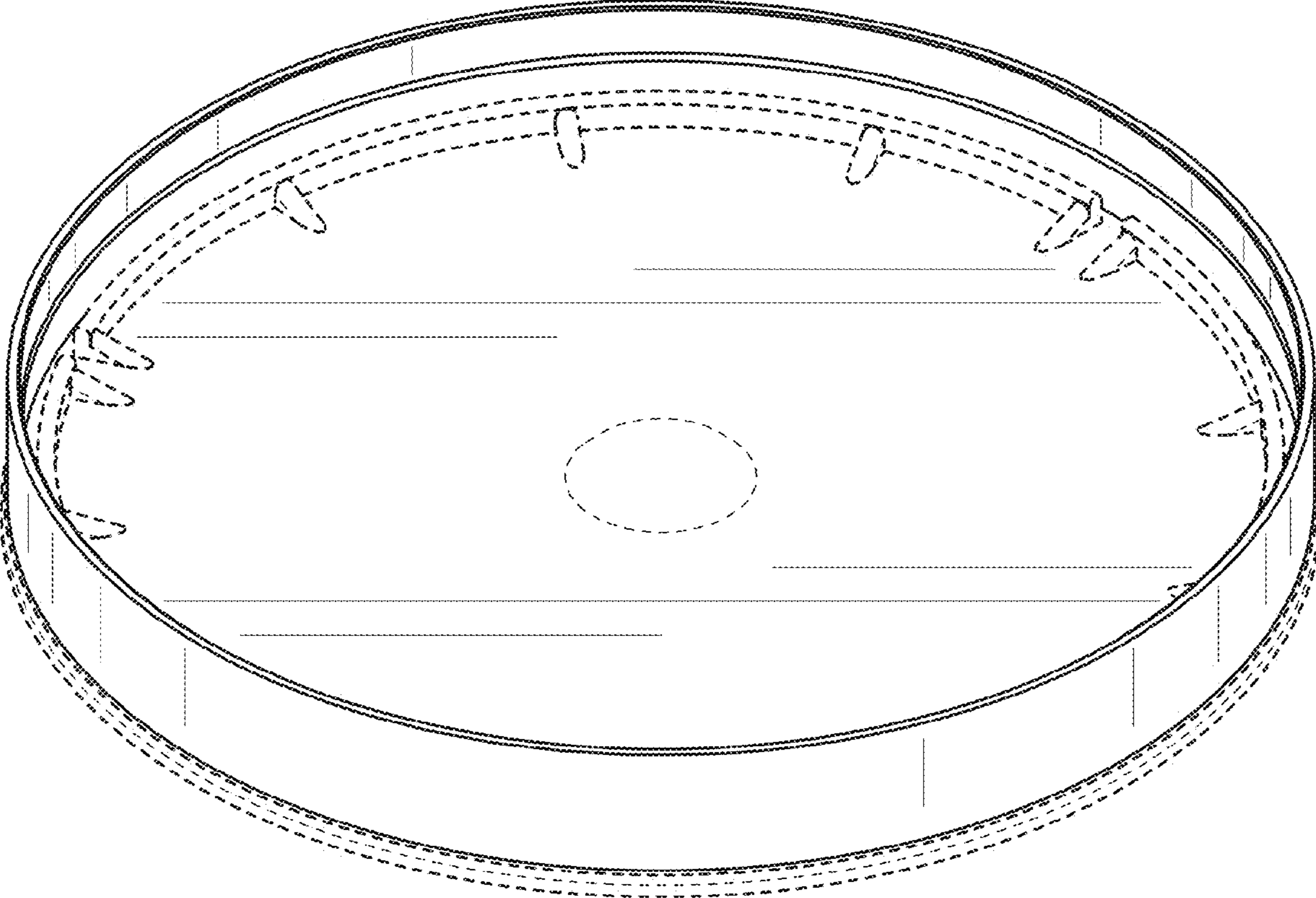


FIG. 4

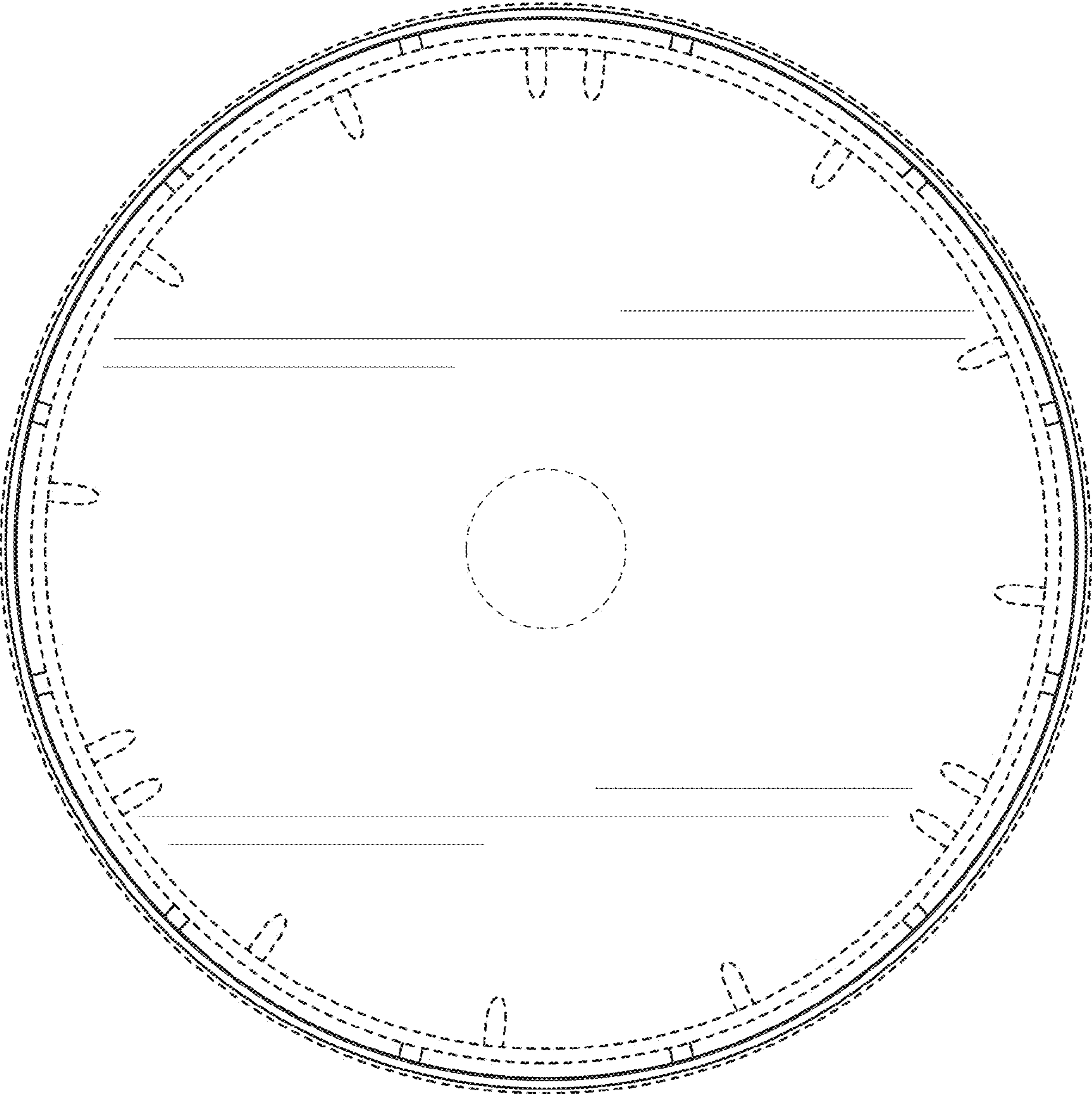


FIG. 5