

US00D978663S

(12) **United States Design Patent**
Griffin et al.

(10) **Patent No.:** **US D978,663 S**

(45) **Date of Patent:** **** Feb. 21, 2023**

(54) **CHILD RESISTANT STORAGE DEVICE**

(71) Applicants: **Jeremy Griffin**, Lancaster, CA (US);
Jacob Griffin, Lancaster, CA (US)

(72) Inventors: **Jeremy Griffin**, Lancaster, CA (US);
Jacob Griffin, Lancaster, CA (US)

(**) Term: **15 Years**

(21) Appl. No.: **29/859,016**

(22) Filed: **Nov. 7, 2022**

Related U.S. Application Data

(62) Division of application No. 29/839,099, filed on May 18, 2022.

(51) **LOC (14) Cl.** **09-03**

(52) **U.S. Cl.**
USPC **D9/432**

(58) **Field of Classification Search**
USPC D6/705; D3/201, 203.1, 203.2, 304, 315;
D9/414, 430-433, 434, 456
See application file for complete search history.

(56) **References Cited**

U.S. PATENT DOCUMENTS

5,080,222	A *	1/1992	McNary	B65D 43/12 220/345.3
7,866,476	B2	1/2011	McGonagle		
D653,537	S	2/2012	Lee		
D732,822	S	6/2015	Griffin		
9,938,042	B1 *	4/2018	Aryanpanah	B65D 11/20
10,124,941	B2	11/2018	Sibley		
D834,819	S	12/2018	Burek		
D878,197	S	3/2020	Griffin		
D887,137	S	6/2020	Burek		
D899,247	S *	10/2020	Kilduff	D9/418
D911,167	S	2/2021	Tsai		
D911,833	S *	3/2021	Toroyan	D9/416
D911,834	S *	3/2021	Tidwell	D9/418

D913,785	S *	3/2021	Kelly	D9/432
D917,279	S *	4/2021	Blomberg	D9/414
D918,714	S *	5/2021	Blomberg	D9/418
D933,954	S	10/2021	Ludlow		
D941,523	S	1/2022	Elkind		
D945,883	S	3/2022	Griffin		
D956,551	S *	7/2022	Altman	D9/432

(Continued)

OTHER PUBLICATIONS

The 109 Press N' Pull by Dragon Chewer, available in, announced in YouTube on date Feb. 6, 2020, site visited Sep. 23, 2022, Available from the internet URL: <https://www.youtube.com/watch?v=D6tXL8sH7AI> (Year: 2020).*

(Continued)

Primary Examiner — Mary Ann Calabrese

Assistant Examiner — Mark David Wolfley

(74) *Attorney, Agent, or Firm* — Todd R. Miller

(57) **CLAIM**

The ornamental design for a child resistant storage device, as shown and described.

DESCRIPTION

FIG. 1 is a top, front, left perspective view of a child resistant storage device;

FIG. 2 is a bottom, back, right perspective view thereof;

FIG. 3 is a top view thereof;

FIG. 4 is a left side view thereof, with the right side a mirror image thereof;

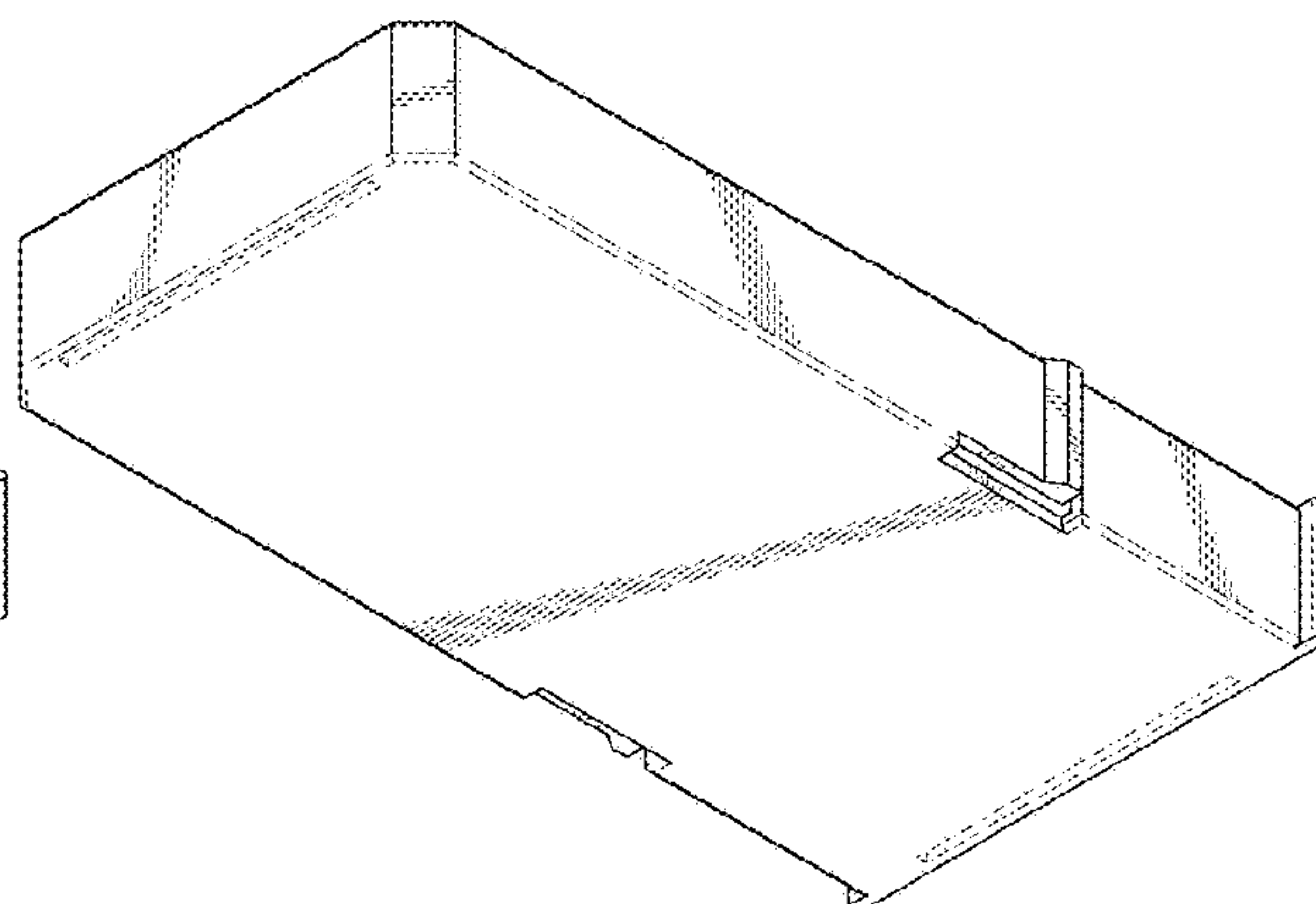
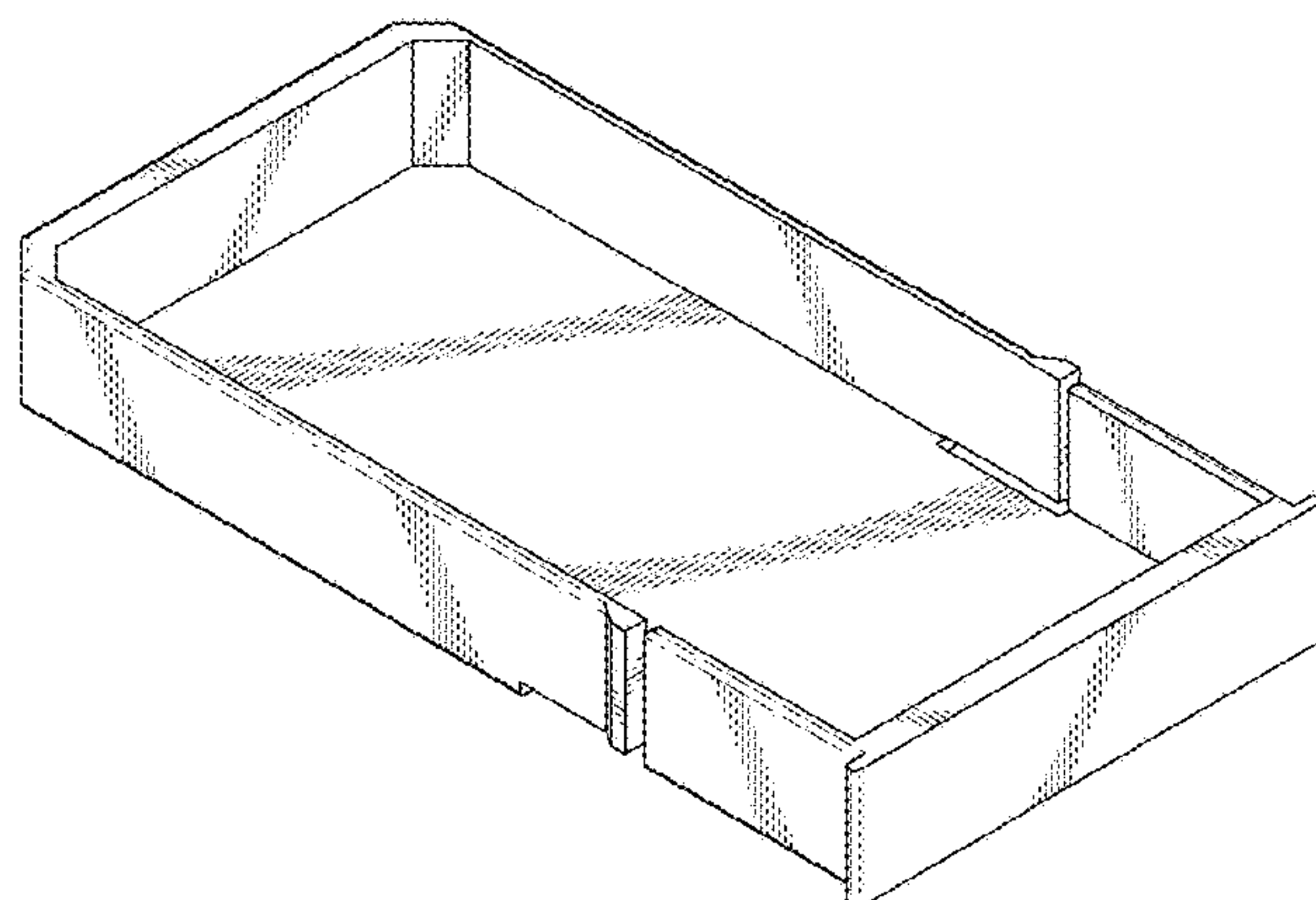
FIG. 5 is a bottom view thereof;

FIG. 6 is a front view thereof; and,

FIG. 7 is a rear view thereof.

The broken lines in the figures depict portions of the child resistant storage device that form no part of the claimed design.

1 Claim, 3 Drawing Sheets



(56)

References Cited

U.S. PATENT DOCUMENTS

2004/0099565 A1* 5/2004 Dehlin B65D 5/38
206/536
2009/0152134 A1* 6/2009 Katsis B65D 5/38
206/96

OTHER PUBLICATIONS

greenearthpackaging.com, dated May 12, 2022; available from Internet URL: <https://greenearthpackaging.com/collections/reusable-packaging/products/child-resistant-recyclable-push-n-slide-out-plastic-container>.

vapingpackaging.com, dated May 12, 2022; available from Internet URL: <https://vapingpackaging.com/product/child-resistant-packaging/>.

globalsources.com, dated May 12, 2022; available from Internet URL: <https://www.globalsources.com/Cardboard-gift/child-proof-drawer-packaging-1186382802p.htm>.

* cited by examiner

FIG. 1

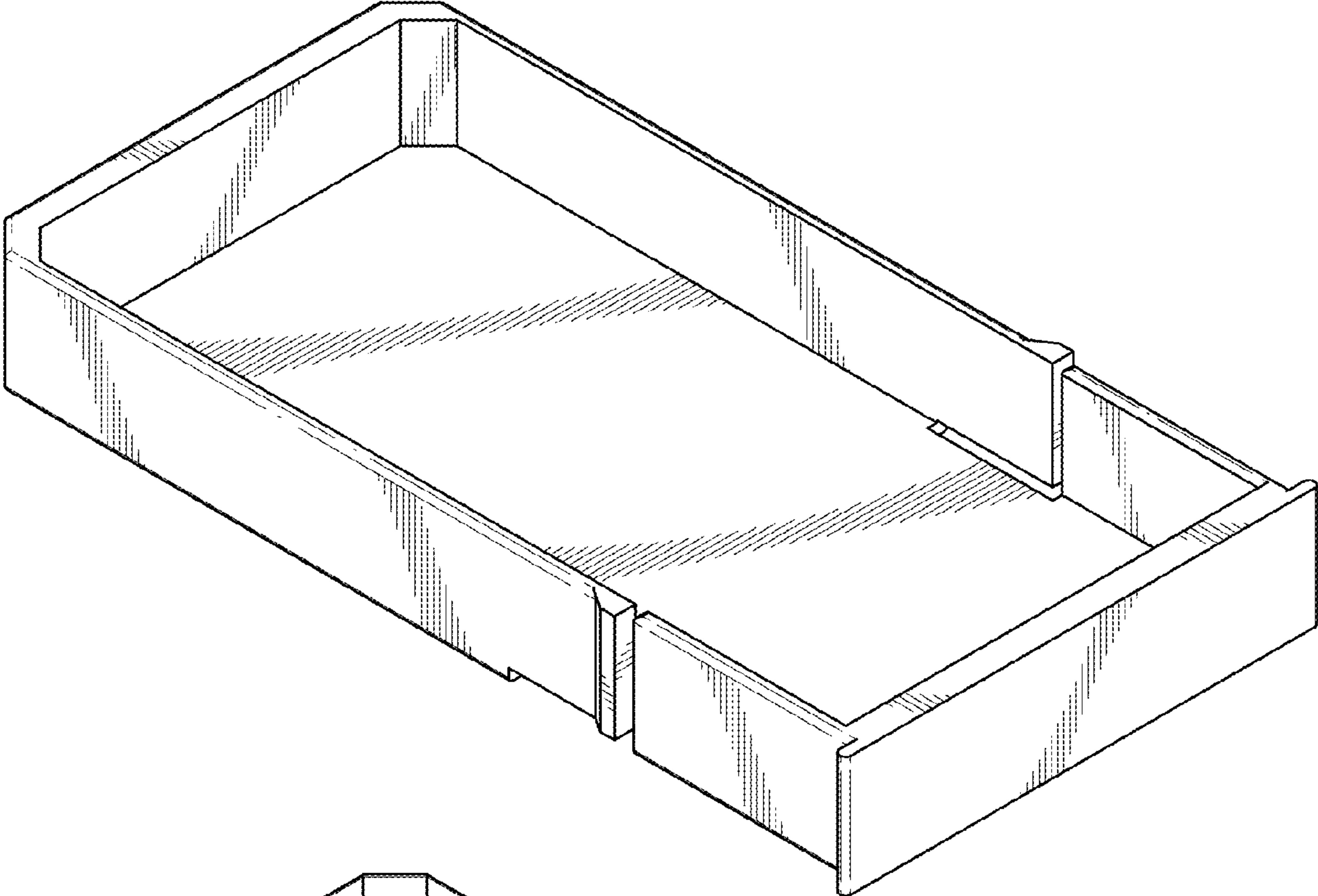


FIG. 2

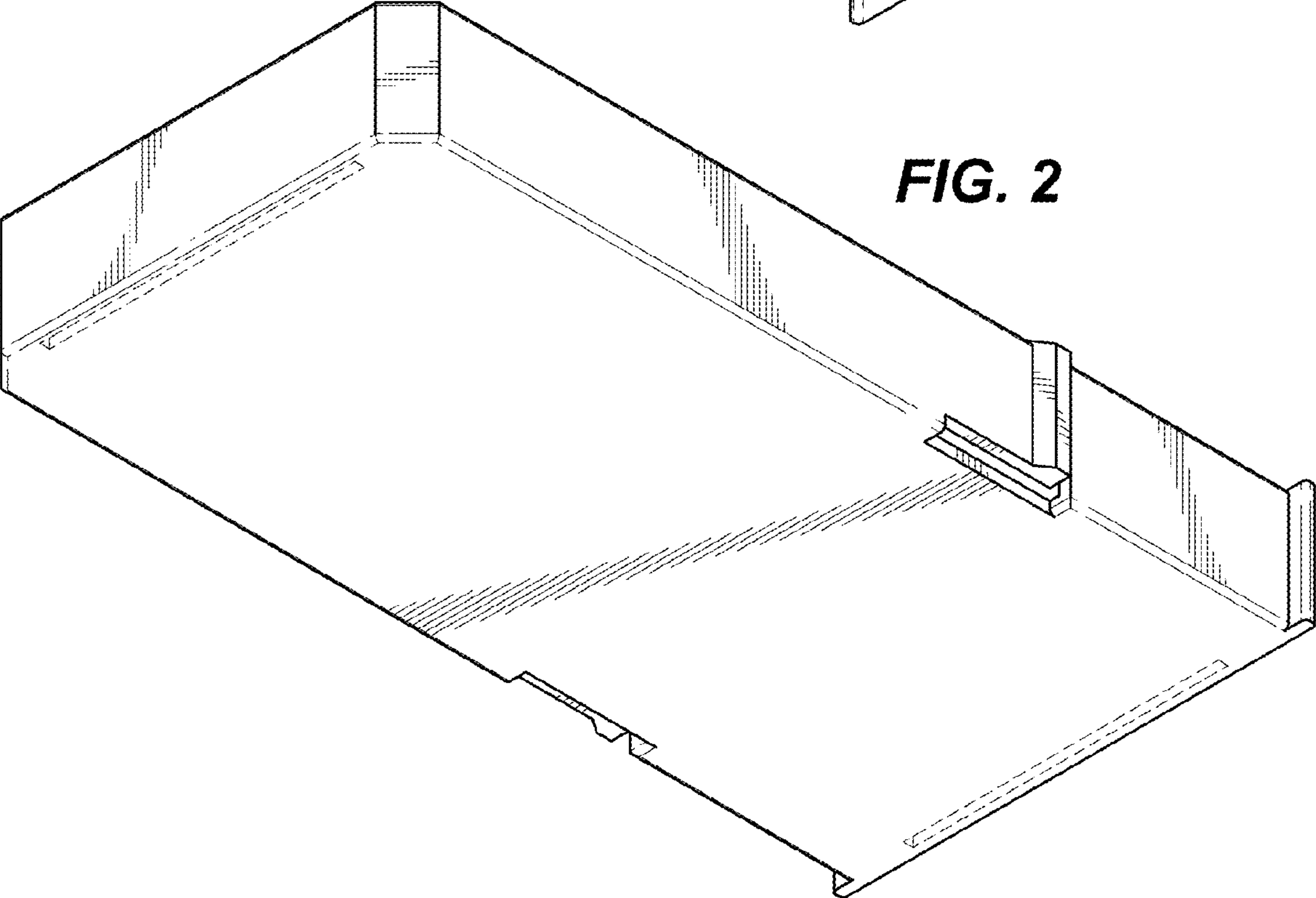


FIG. 3

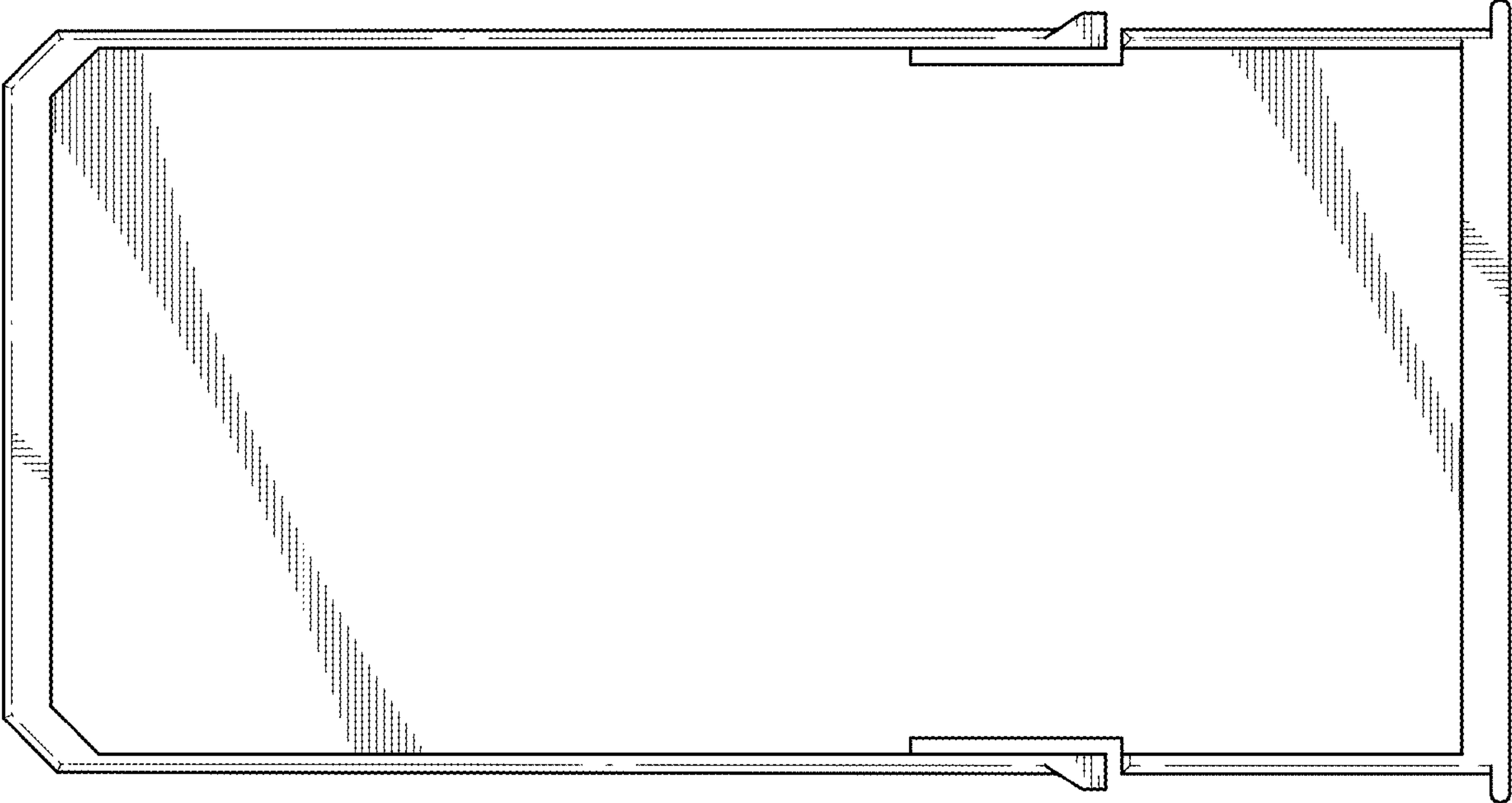


FIG. 4



FIG. 5

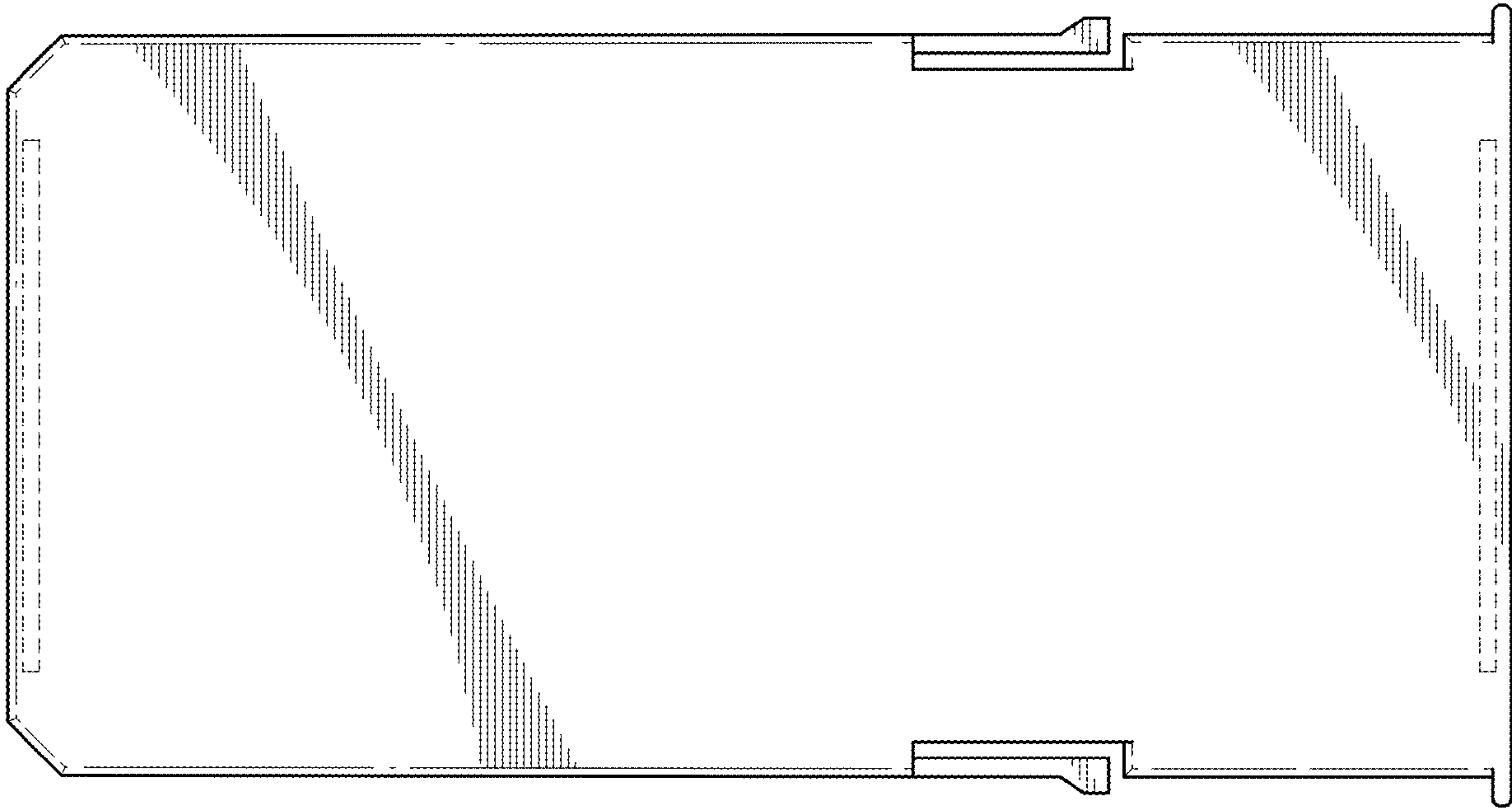


FIG. 6

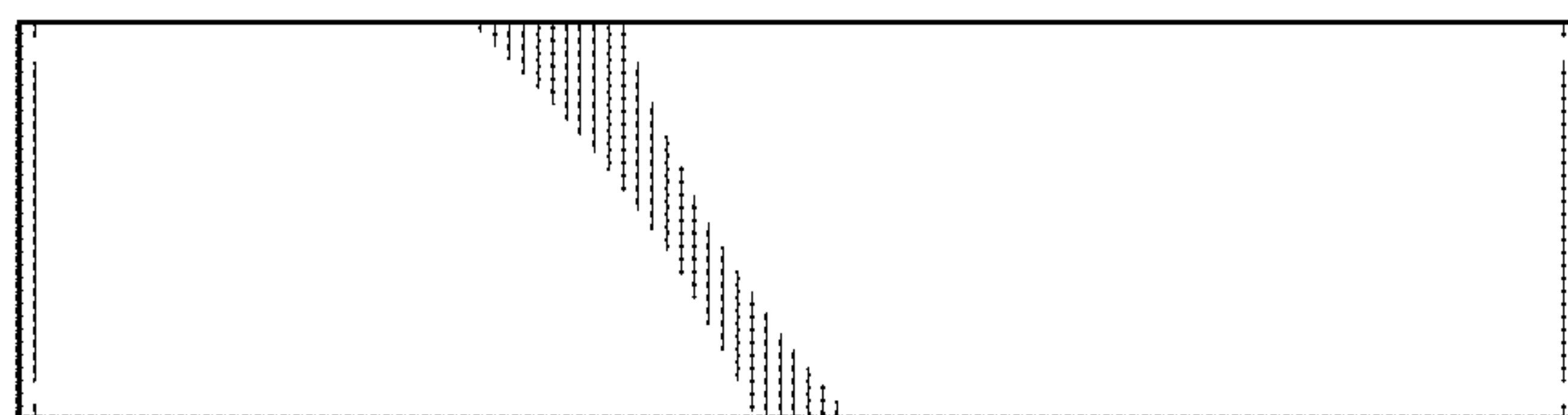


FIG. 7

