



US00D978660S

(12) **United States Design Patent** (10) **Patent No.:** **US D978,660 S**  
**Dai** (45) **Date of Patent:** **\*\* Feb. 21, 2023**

(54) **BUMPER**

(71) Applicant: **ShenZhen YiHong Technology Co., LTD**, Guangdong (CN)

(72) Inventor: **Yi Dai**, ShenZhen (CN)

(73) Assignee: **ShenZhen YiHong Technology CO., LTD**, ShenZhen (CN)

(\*\*) Term: **15 Years**

(21) Appl. No.: **29/819,976**

(22) Filed: **Dec. 18, 2021**

(51) **LOC (14) Cl.** ..... **08-09**

(52) **U.S. Cl.**  
USPC ..... **D8/402**

(58) **Field of Classification Search**

USPC ..... D8/1, 353, 354, 366, 402, 403; D3/304, D3/273, 201; D9/424, 504  
CPC ..... B65D 21/0233; B65D 21/0235; B65D 21/0234; B65D 21/00; B65D 21/02; B65D 2519/00955

See application file for complete search history.

(56) **References Cited**

**U.S. PATENT DOCUMENTS**

2,376,660 A	5/1945	Clark	
D169,743 S *	6/1953	Fritz, Jr.	..... B65D 1/26 220/DIG. 15
2,774,511 A *	12/1956	Menkin	..... B65D 21/045 206/511
D197,311 S *	1/1964	Spaak	..... D3/307
3,326,410 A *	6/1967	Asenbauer	..... B65D 85/505 206/507
3,420,402 A *	1/1969	Frater	..... B65D 21/045 206/520

(Continued)

**OTHER PUBLICATIONS**

Akro-Mils 35180 Nest and Stack Plastic Storage Container and Distribution Tote, (18-Inch Lx11-Inch Wx6-Inch H), Blue, (6-Pack);

Akro-Mils Store; Amazon.com; Nov. 9, 2004; accessed Sep. 29, 2022; URL:< <https://www.amazon.com/dp/B000LE8VFQ/?th=1> > (Year: 2004).\*

(Continued)

*Primary Examiner* — Rachel A. Voorhies

*Assistant Examiner* — Benjamin D. Wannemacher

(74) *Attorney, Agent, or Firm* — iPA & iPM

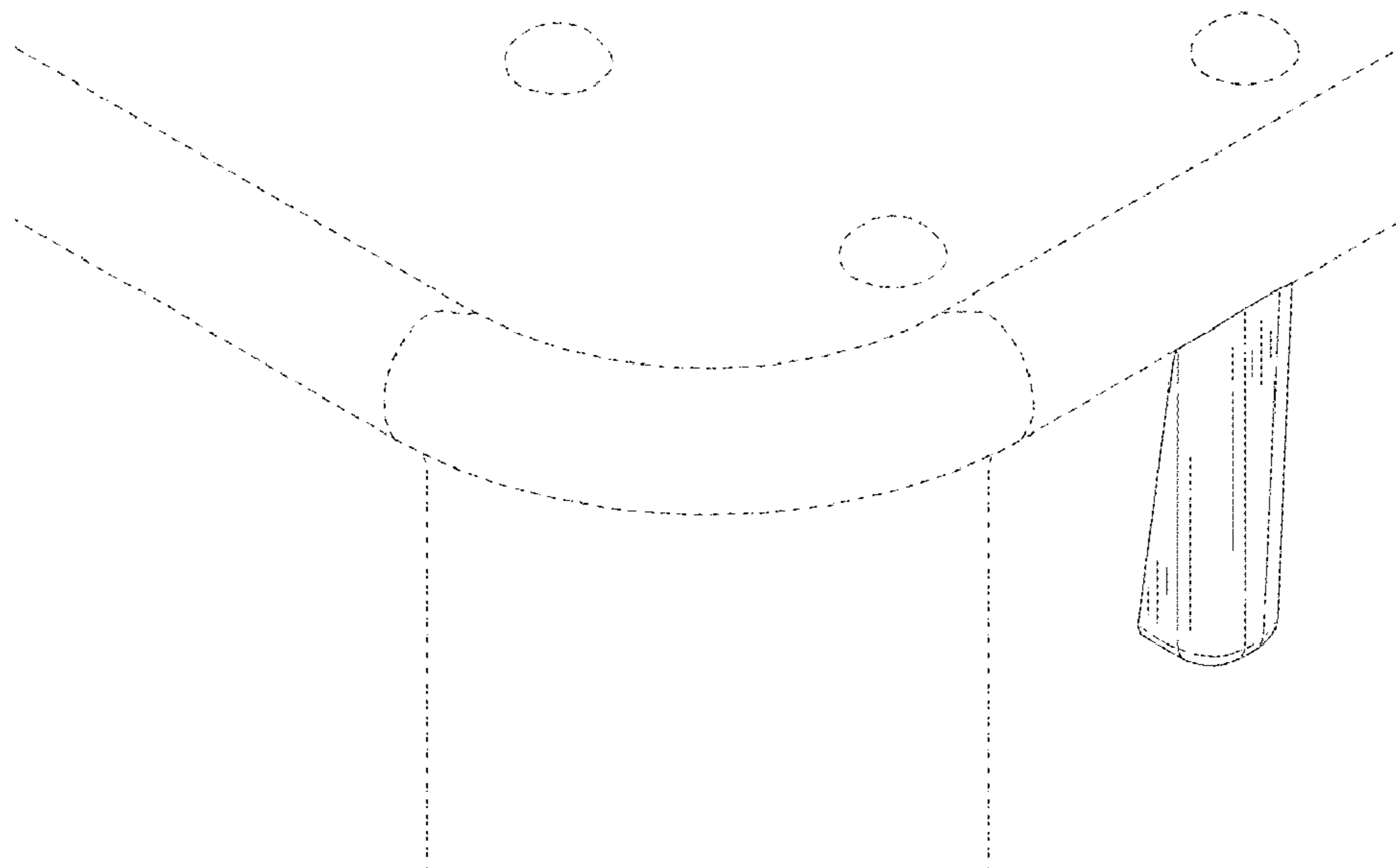
(57) **CLAIM**

The ornamental design for a bumper, as shown and described.

**DESCRIPTION**

FIG. 1 is a perspective view from above of a bumper, situated along an edge, showing my new design;  
 FIG. 2 is a perspective bottom view thereof;  
 FIG. 3 is a front view thereof;  
 FIG. 4 is a back view thereof;  
 FIG. 5 is a left side view thereof;  
 FIG. 6 is a right side view thereof;  
 FIG. 7 is a top view thereof;  
 FIG. 8 is a bottom view thereof;  
 FIG. 9 is a perspective view of the bumper shown in a use environment of a container;  
 FIG. 10 is a perspective view of the bumper shown in a use environment of containers in a stacked configuration; and  
 FIG. 11 is a perspective view from below thereof.  
 FIG. 12 is a perspective view from above of a plurality of bumpers organized around corner regions of a plurality of containers;  
 FIG. 13 is a perspective view from below thereof;  
 FIG. 14 is a perspective view of a second embodiment of a bumper with a degree of transparency; and,  
 FIG. 15 is a perspective view of a plurality of transparent bumpers organized around corner regions of a container.

**1 Claim, 15 Drawing Sheets**



(56)

References Cited

U.S. PATENT DOCUMENTS

3,447,715 A \* 6/1969 Beney ..... B65D 21/045  
206/507  
D224,369 S \* 7/1972 Mears ..... D3/304  
D247,025 S \* 1/1978 Cherry ..... B65D 21/046  
D3/312  
4,109,791 A \* 8/1978 Clipson ..... B65D 21/062  
206/505  
D251,479 S \* 4/1979 Cherry ..... D3/314  
4,238,032 A \* 12/1980 Thurman ..... B65D 21/041  
206/505  
4,291,804 A \* 9/1981 Weidt ..... B65D 21/0213  
220/532  
4,416,374 A \* 11/1983 Smith ..... B65D 19/04  
220/1.5  
D275,866 S \* 10/1984 Schembre ..... B65D 21/0213  
D19/92  
4,832,200 A \* 5/1989 Deaton ..... B65D 21/0217  
206/508  
D301,927 S \* 6/1989 Williams, Jr. .... D3/304  
4,848,580 A \* 7/1989 Wise ..... B65D 21/0233  
206/508  
4,852,744 A 8/1989 Frank  
5,175,041 A 12/1992 Webb et al.  
5,752,602 A \* 5/1998 Ackermann ..... B65D 21/046  
206/505  
D409,387 S \* 5/1999 Yemini ..... B65D 21/045  
D3/307  
D412,436 S 8/1999 Tsui  
D431,944 S \* 10/2000 Cazarez ..... D12/421  
6,134,853 A \* 10/2000 Haener ..... E04C 1/41  
52/745.1  
D452,149 S \* 12/2001 Nance ..... B65D 25/22  
D7/590  
D454,785 S \* 3/2002 Nance ..... B65D 25/22  
D9/424  
6,367,630 B1 \* 4/2002 Elskamp ..... B65D 19/04  
206/508  
D466,407 S \* 12/2002 Nance ..... D9/428  
6,840,372 B2 1/2005 Giles et al.  
D579,662 S \* 11/2008 Dretzka ..... D3/304  
D602,350 S 10/2009 Lavelle  
D666,829 S \* 9/2012 Liao ..... B65D 43/0206  
D3/304  
D682,552 S \* 5/2013 Ambrefe, Jr. .... D3/304  
8,573,399 B2 \* 11/2013 Ulmer ..... B65D 43/0206  
206/508  
8,720,687 B2 \* 5/2014 Hassell ..... B65D 21/046  
206/505  
8,752,727 B2 \* 6/2014 Niemann ..... B65D 51/04  
220/822

D737,680 S \* 9/2015 Breton ..... E04C 1/41  
D9/456  
D738,719 S \* 9/2015 Breton ..... B65D 25/22  
D9/425  
D783,856 S 4/2017 Super et al.  
D802,411 S 11/2017 Teng et al.  
D834,315 S \* 11/2018 Reinhart ..... D7/602  
D872,484 S 1/2020 Cziraky  
D880,628 S \* 4/2020 McHenry ..... D21/686  
D913,044 S \* 3/2021 Samartgis ..... B65D 21/045  
D7/602  
D913,045 S \* 3/2021 Samartgis ..... B65D 21/0212  
D7/602  
D925,347 S 7/2021 Bomer  
D934,635 S \* 11/2021 Samartgis ..... B65D 1/22  
D7/602  
D965,424 S \* 10/2022 Flam ..... B65D 81/057  
D8/403  
D966,076 S \* 10/2022 Charette ..... D8/354  
D967,631 S \* 10/2022 Greenwood ..... D3/307  
2002/0056656 A1 5/2002 Beliveau  
2004/0081528 A1 \* 4/2004 Sain ..... B65D 90/0026  
410/46  
2007/0017920 A1 \* 1/2007 Davis ..... B65D 1/26  
220/604  
2007/0205128 A1 \* 9/2007 Davis ..... B65D 1/44  
206/503  
2008/0169216 A1 \* 7/2008 Kaltz ..... B65D 21/0212  
206/507  
2009/0057305 A1 \* 3/2009 Moreau ..... B65D 1/22  
224/330  
2009/0229481 A1 \* 9/2009 Patterson ..... B41K 1/54  
101/333  
2009/0266739 A1 10/2009 Kindig  
2016/0332785 A1 \* 11/2016 Sexton ..... B65D 51/1683  
D21/686  
2019/0092524 A1 \* 3/2019 Reinhart ..... B65D 21/0215  
D7/602

OTHER PUBLICATIONS

Dynalon 208154-0010 Stackable Deep Lab Storage Bin/Tray, 10L Capacity; Dynalon; Amazon.com; Oct. 7, 2010; accessed Sep. 29, 2022; URL:< <https://www.amazon.com/Dynalon-208154-0010-Stackable-Storage-Capacity/dp/B0046A8UHA> > (Year: 2010).\*  
Nesting Tote, 12-3/8 in, 24 in, 20 in.; Buckhorn; Amazon.com; Mar. 17, 2013; accessed Sep. 29, 2022; URL:< <https://www.amazon.com/Nesting-Tote-12-3-24-20/dp/B007IBDKO2> > (Year: 2013).\*  
Xyskin 4-Pack Commercial Bus Box, Plastic Tote Box, Wash Tub/Bus Tub, Grey, 13 L Capacity; Xyskin; Amazon.com; Dec. 3, 2020; accessed Sep. 29, 2022; URL:< <https://www.amazon.com/dp/B08PKG4YTQ/?th=1> > (Year: 2020).\*

\* cited by examiner

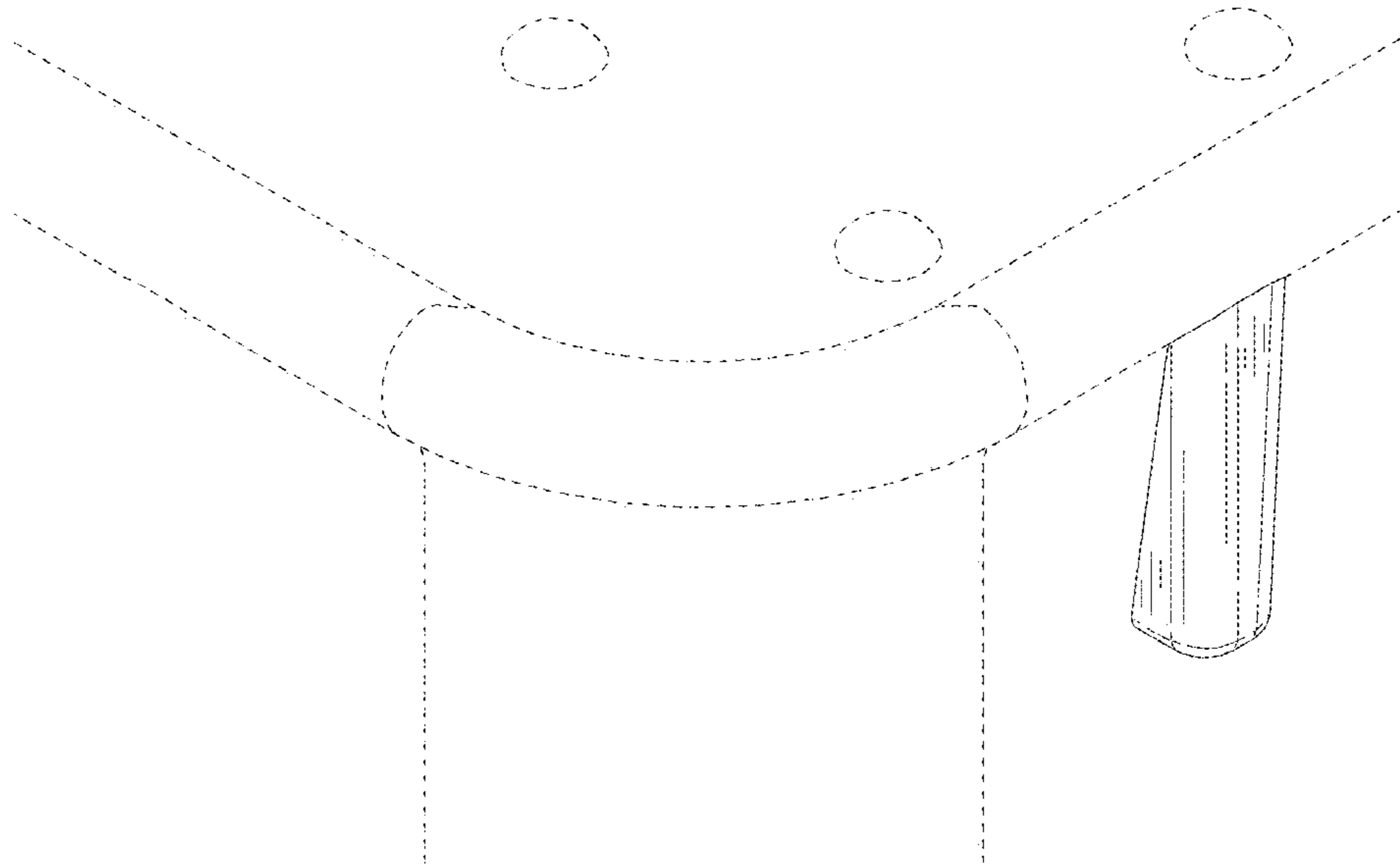


FIG. 1

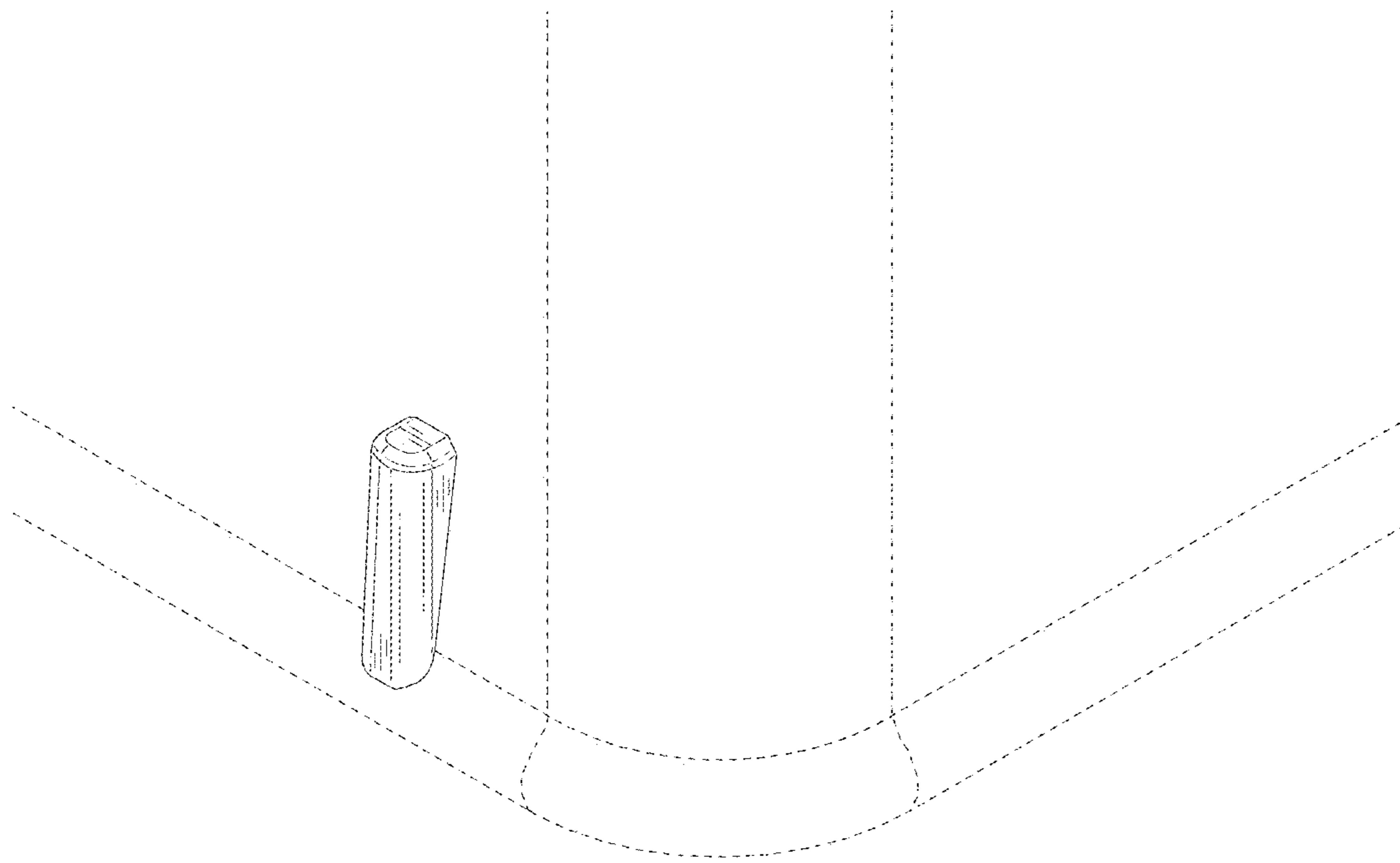


FIG. 2

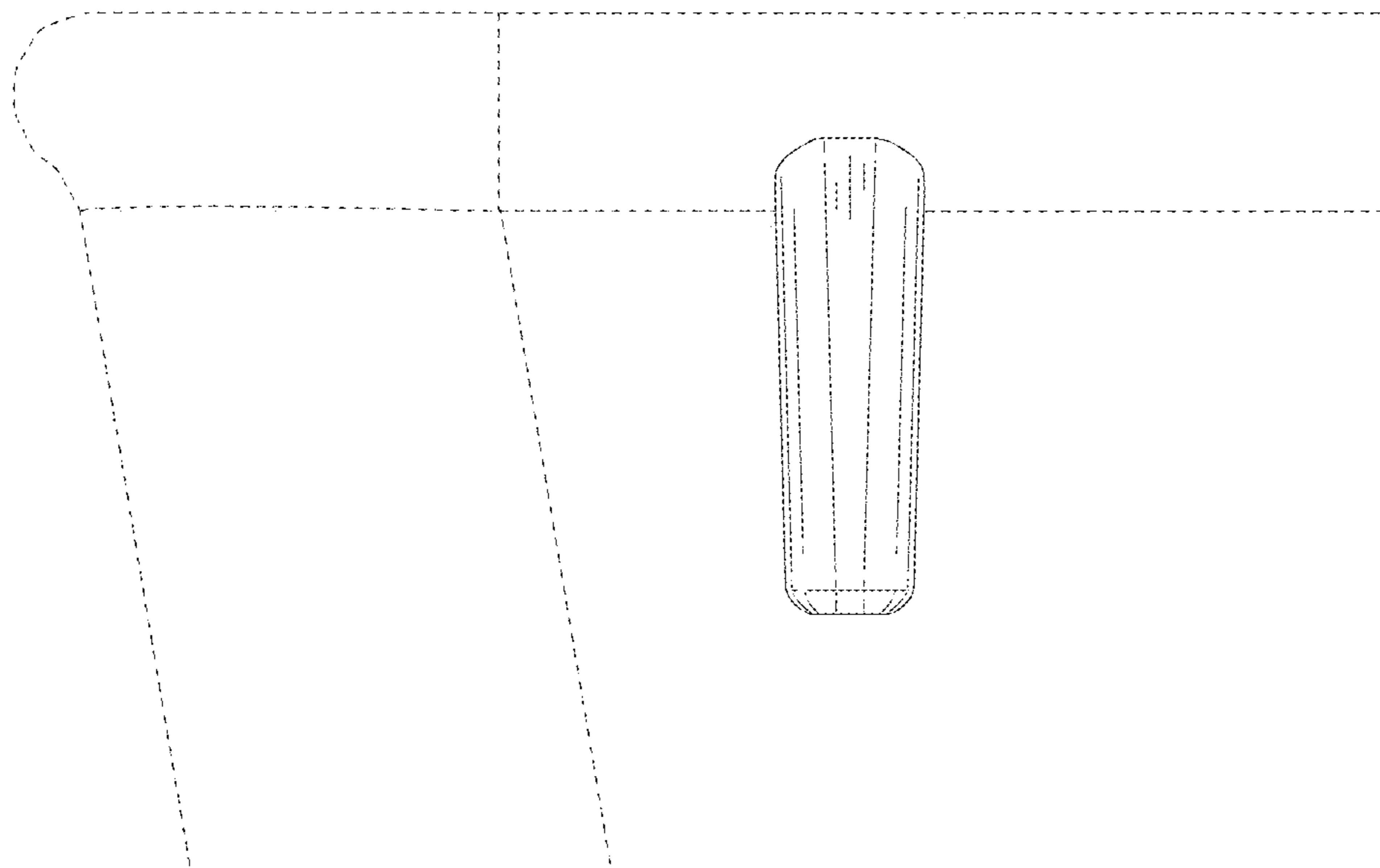


FIG. 3

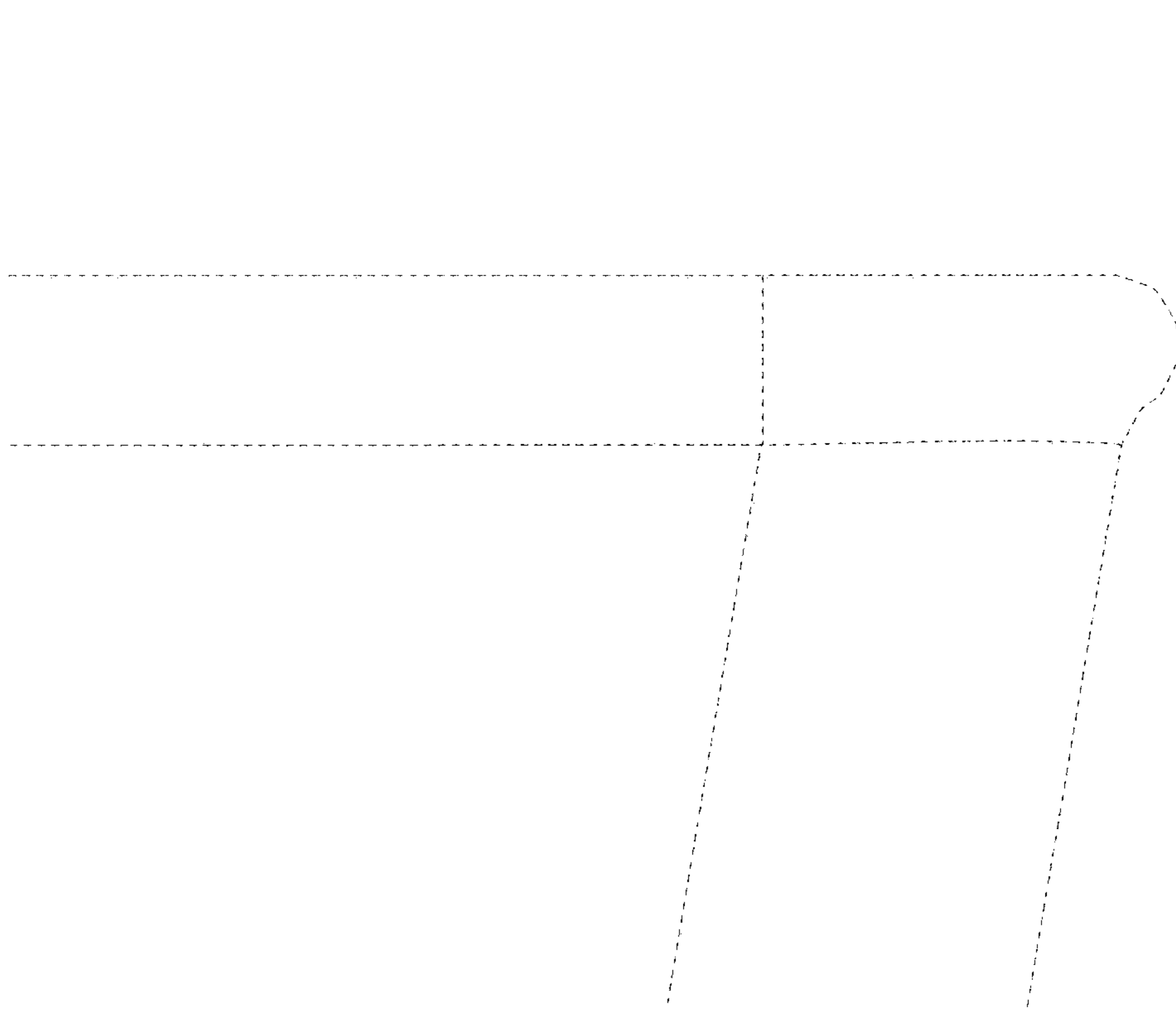


FIG. 4



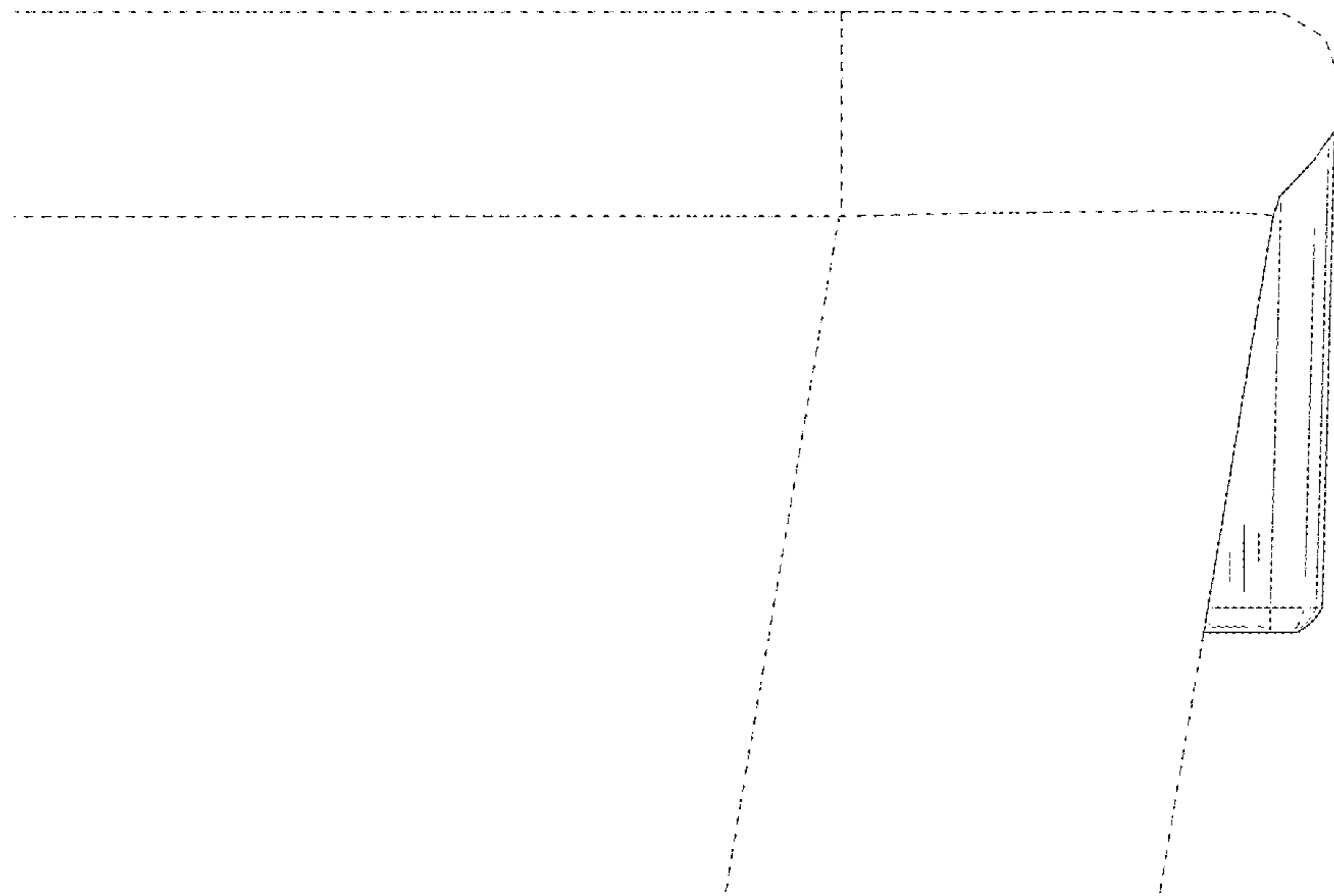


FIG. 5

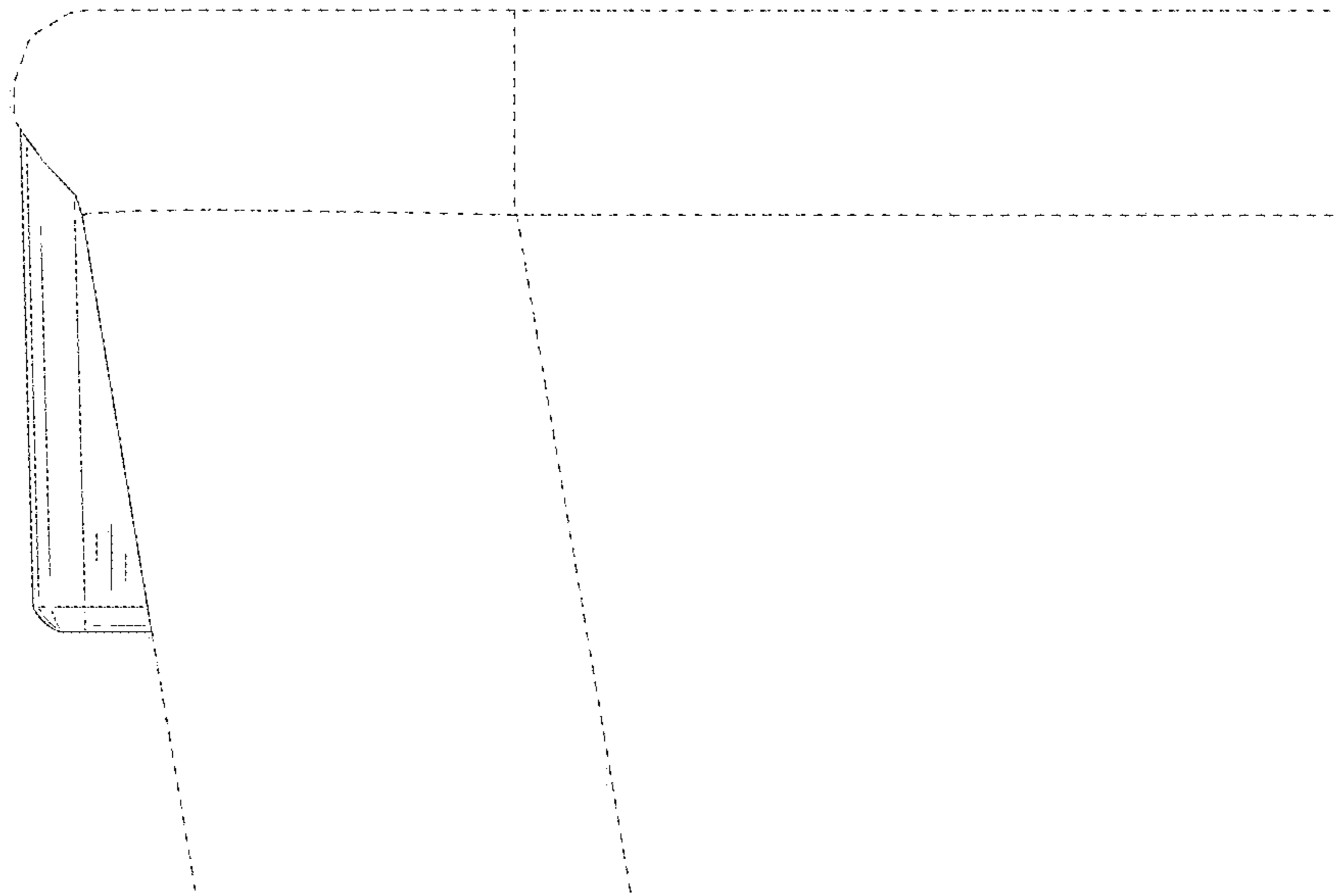


FIG. 6



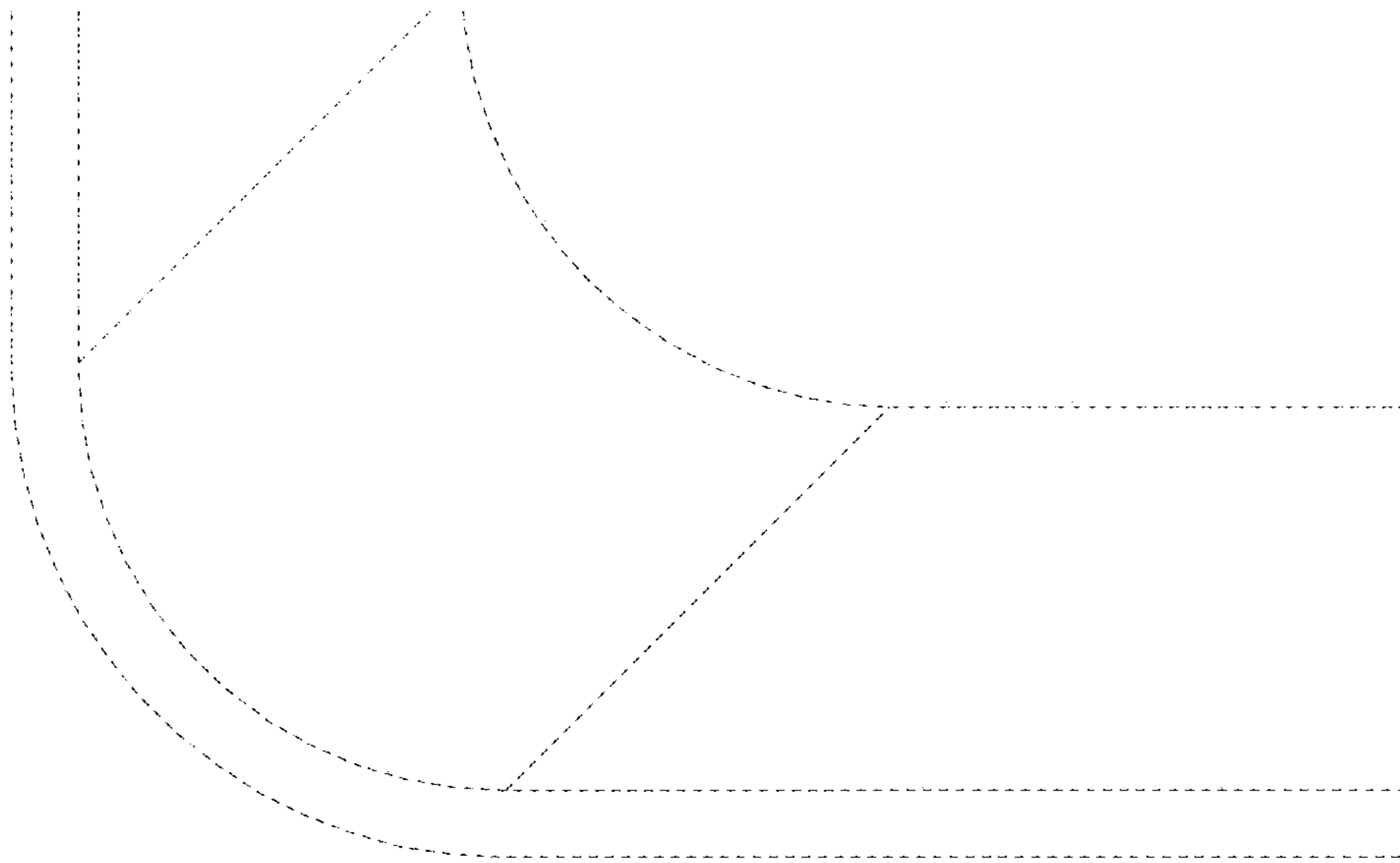


FIG. 7

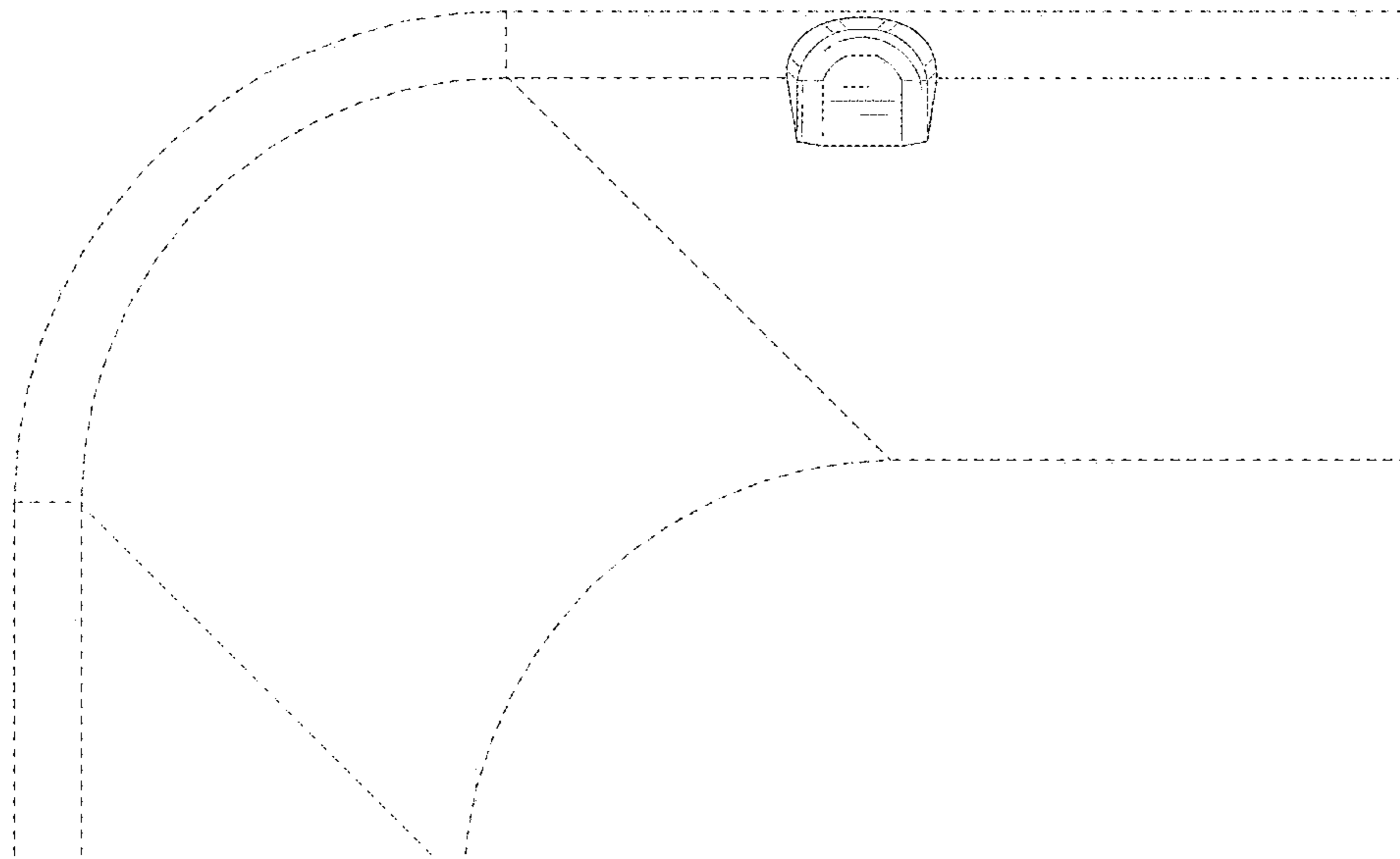


FIG. 8

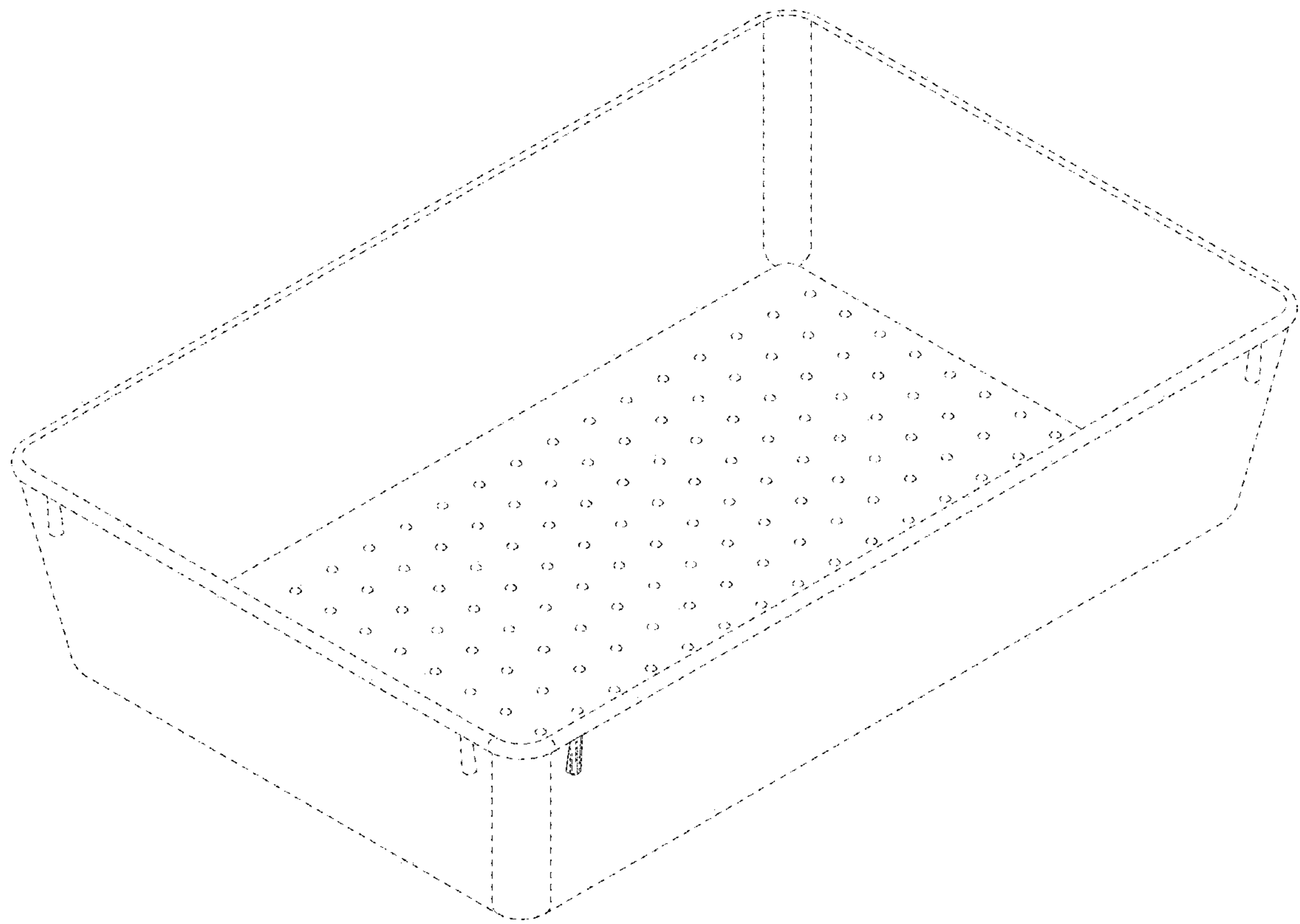


FIG. 9

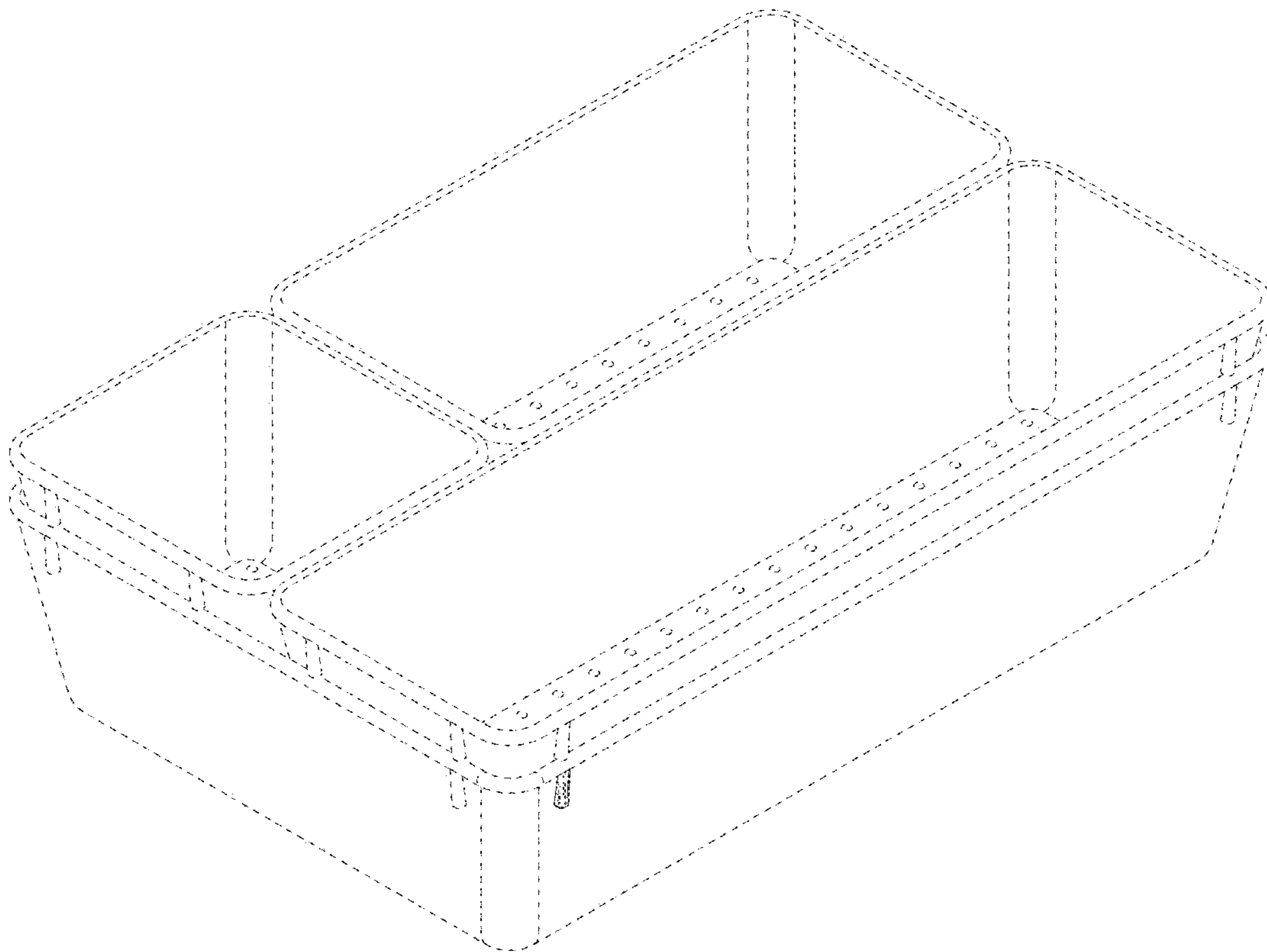


FIG.10

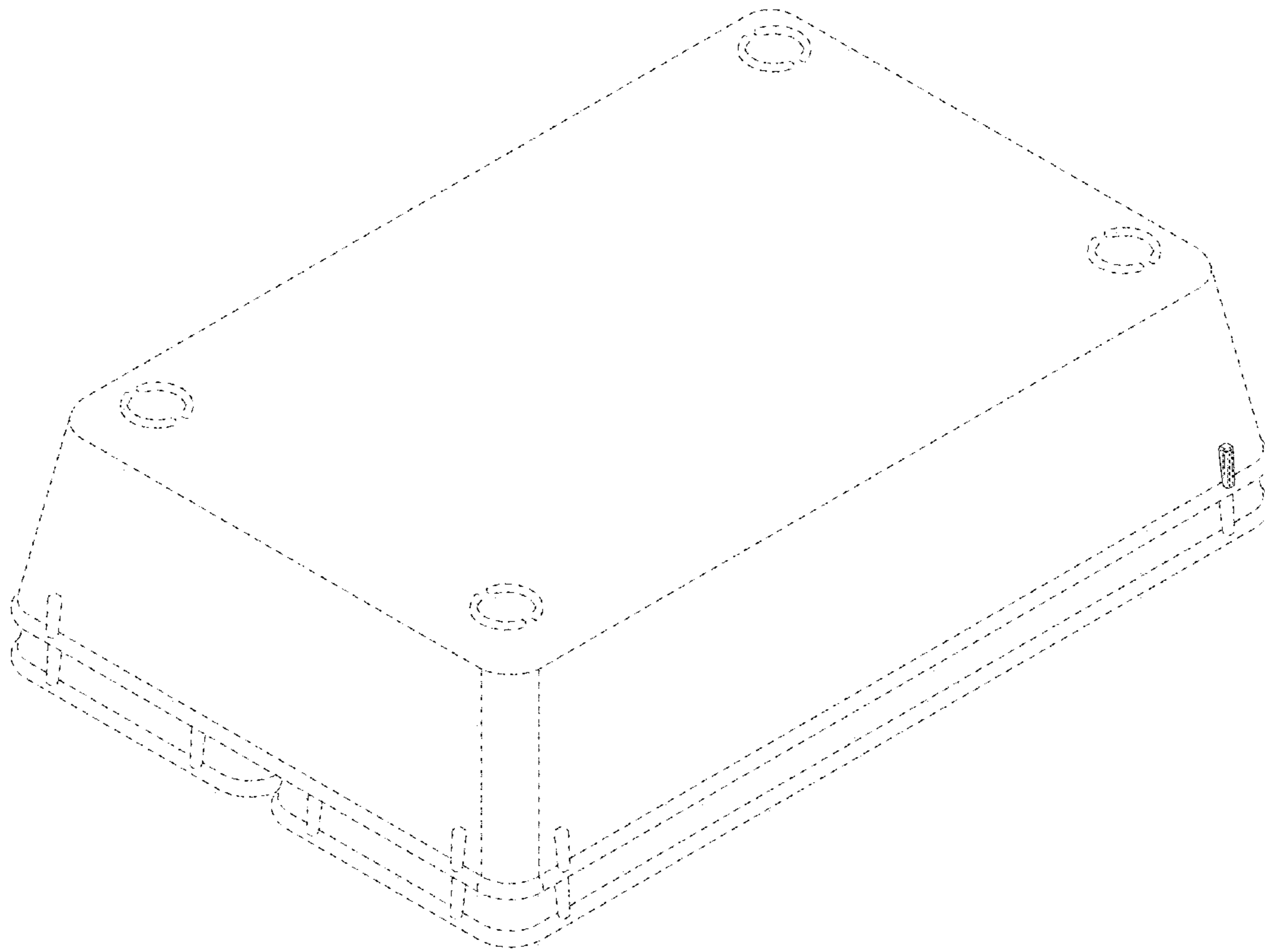


FIG.11

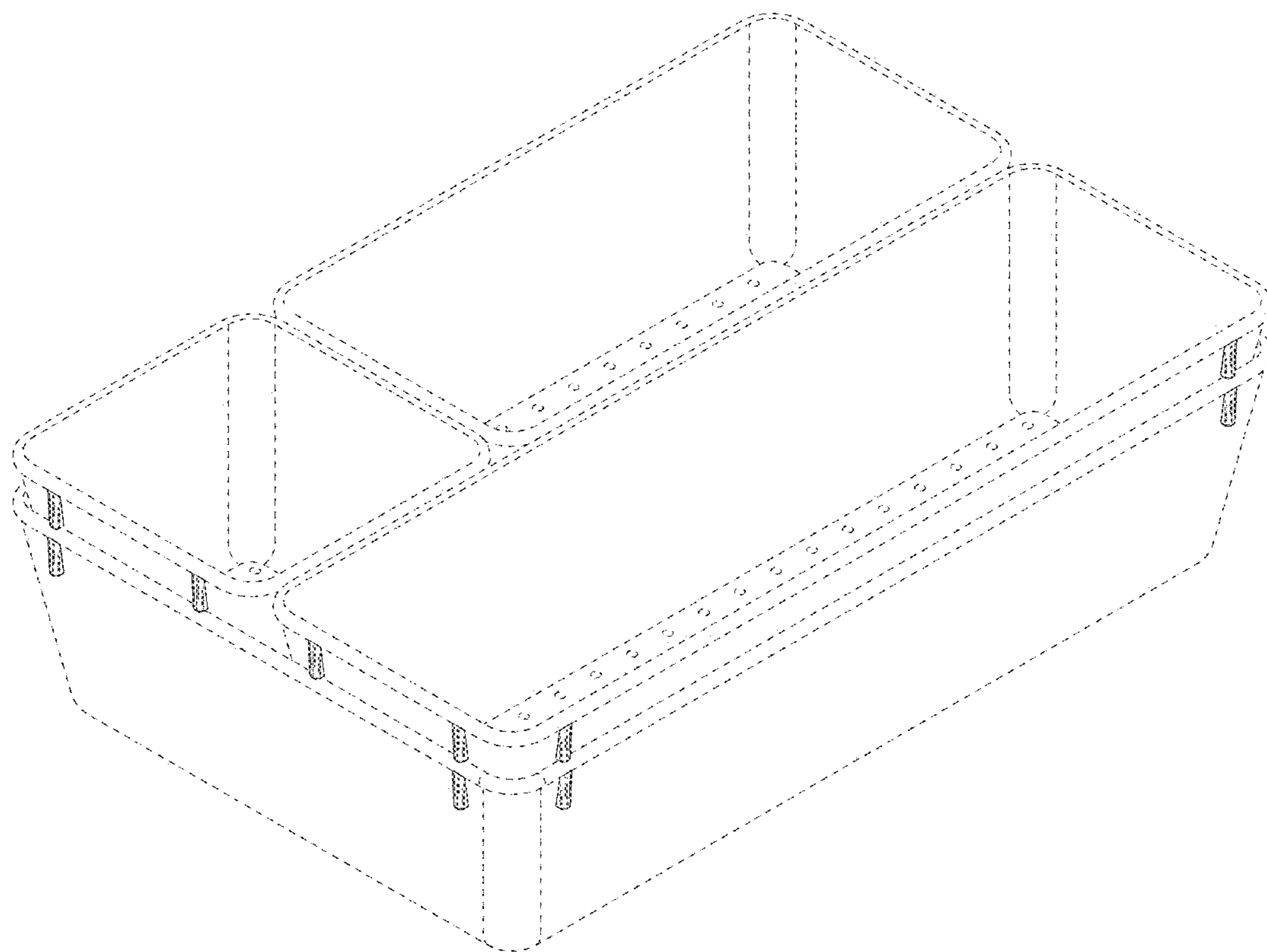


FIG.12

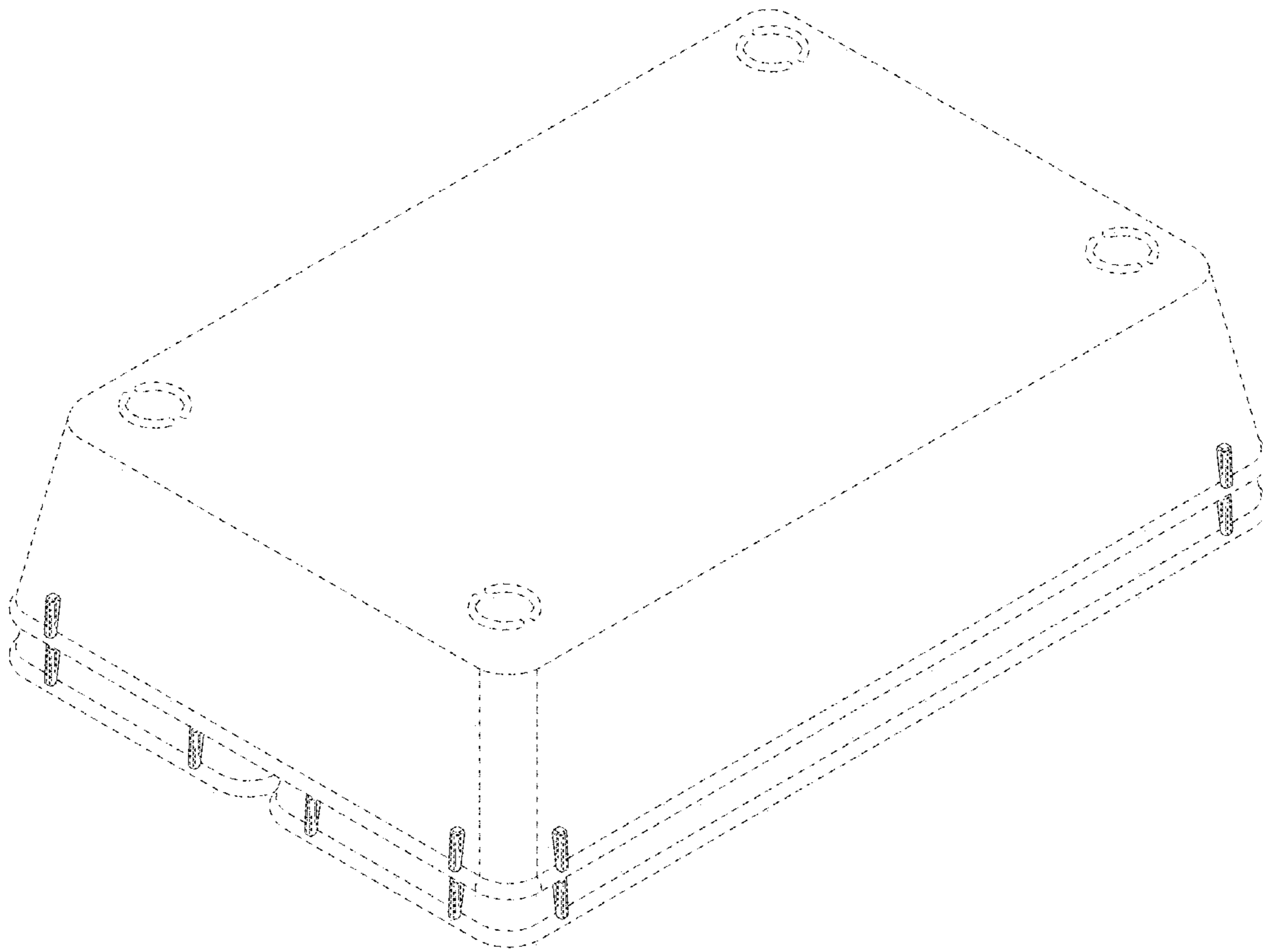


FIG.13



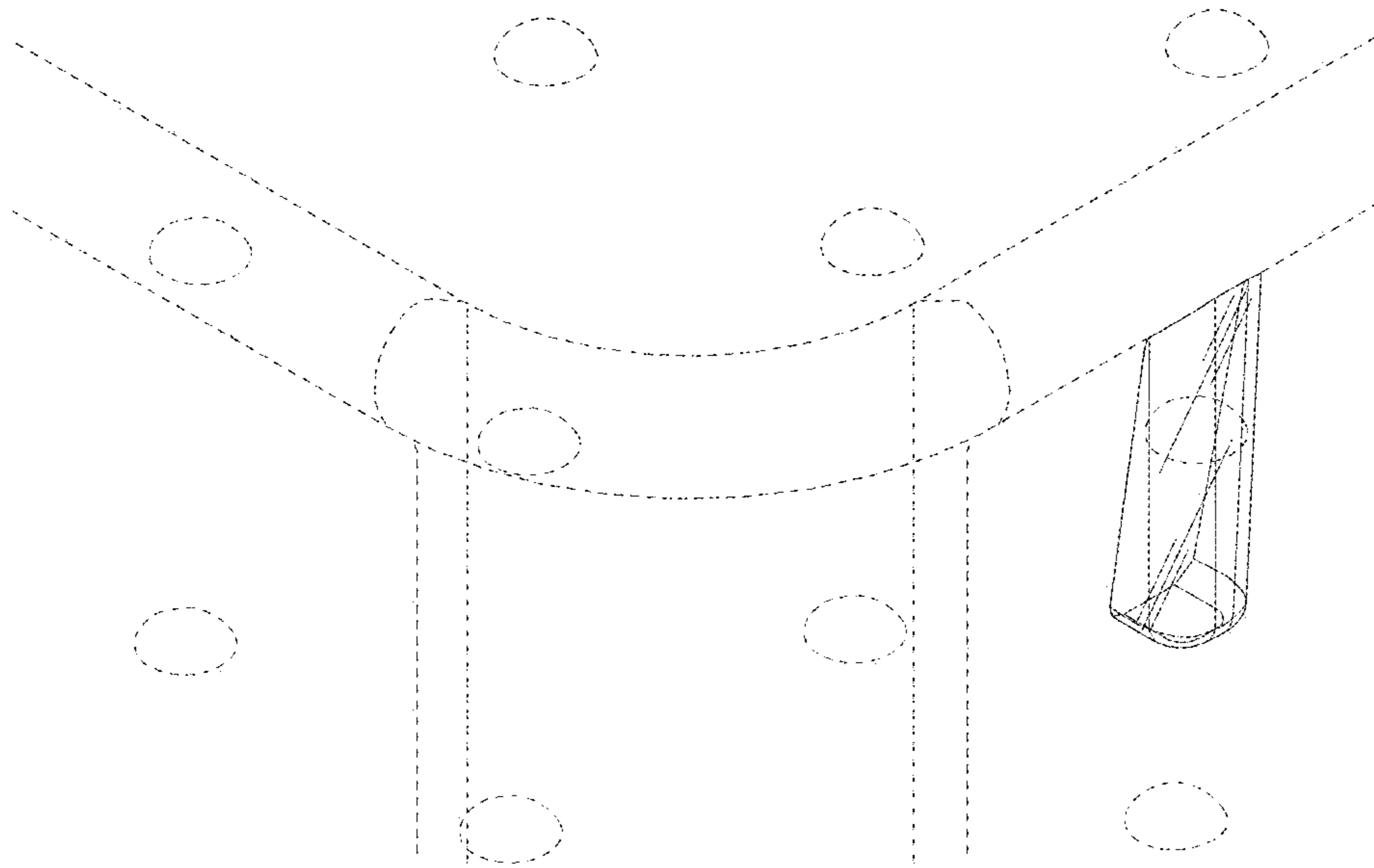


FIG.14

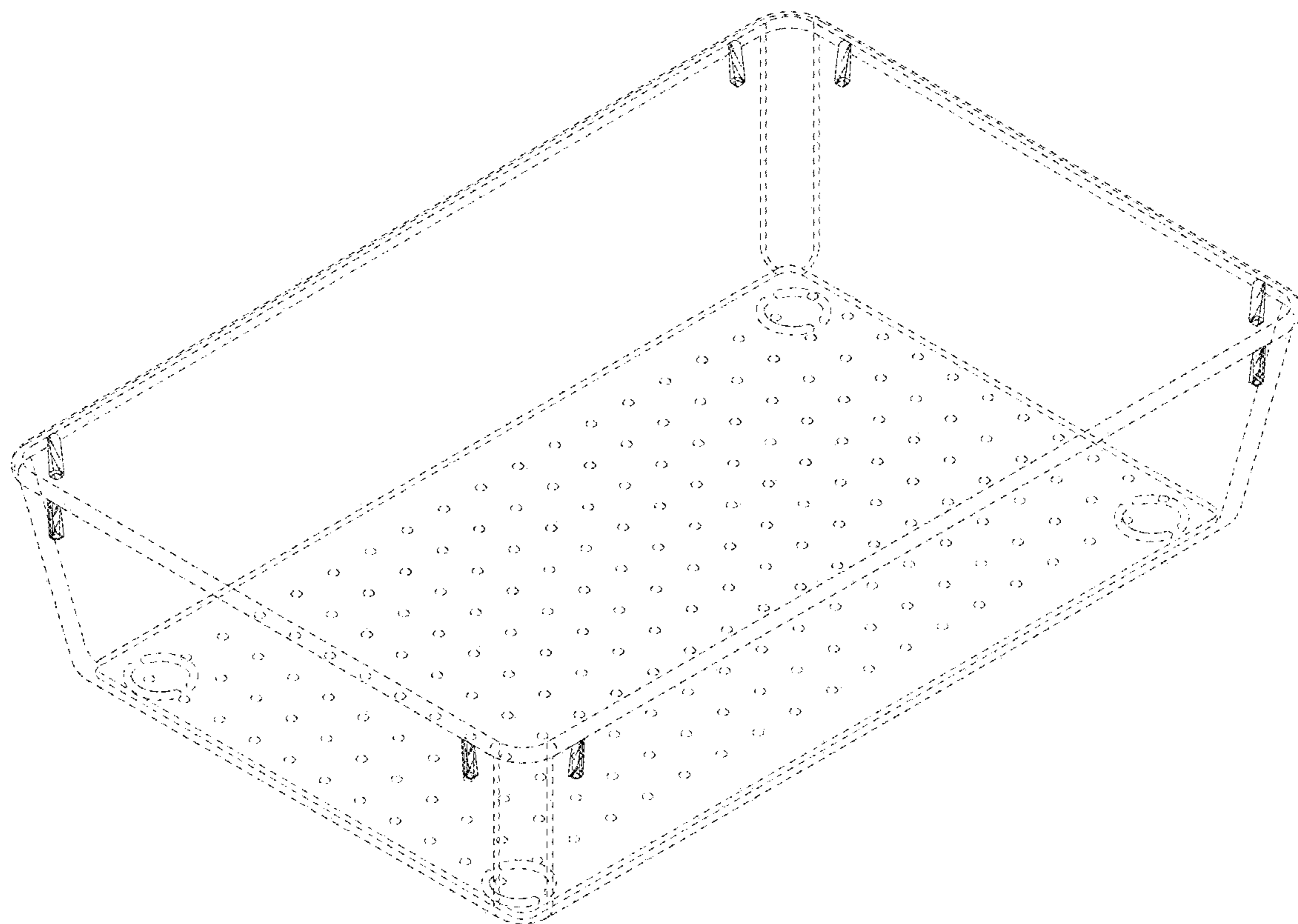


FIG.15