



US00D978658S

(12) **United States Design Patent**  
**Warner**

(10) **Patent No.:** **US D978,658 S**

(45) **Date of Patent:** **\*\* Feb. 21, 2023**

- (54) **TOILET FLANGE REPAIR KIT**
- (71) Applicant: **Kent Warner**, Huntsville, AL (US)
- (72) Inventor: **Kent Warner**, Huntsville, AL (US)
- (\*\*) Term: **15 Years**
- (21) Appl. No.: **29/794,066**
- (22) Filed: **Jun. 10, 2021**
- (51) **LOC (14) Cl.** ..... **08-08**
- (52) **U.S. Cl.**  
USPC ..... **D8/387; D23/303**
- (58) **Field of Classification Search**  
USPC ..... D8/385, 387, 384, 382; D23/303  
CPC ..... F16B 19/05; F16B 19/10; F16B 13/0833;  
F16B 13/128; F16B 31/024; F16B  
2200/50; F16B 2200/503; F16B 19/02;  
F16B 21/09; F16B 35/06; E03D 11/16;  
E03D 11/02; E03D 11/135  
See application file for complete search history.

- 6,430,756 B1 \* 8/2002 Reilly ..... E03D 11/16  
411/395
- D477,658 S 7/2003 Love
- 6,698,986 B2 \* 3/2004 Fraleigh ..... F16B 35/06  
411/301
- D631,736 S \* 2/2011 You ..... E04B 1/4107  
D8/387
- 7,954,179 B2 \* 6/2011 Johnson ..... E03D 11/16  
411/419
- D660,140 S \* 5/2012 Pawluk ..... D8/387
- D699,555 S \* 2/2014 Yazich ..... D8/387
- D720,609 S \* 1/2015 David ..... D8/387
- D766,069 S \* 9/2016 Miller ..... D8/349
- D767,964 S \* 10/2016 Dambacher ..... D8/72
- D829,087 S \* 9/2018 Law ..... D8/387
- D854,919 S \* 7/2019 Villanueva ..... D8/387

(Continued)

**FOREIGN PATENT DOCUMENTS**

- CN 301664189 \* 9/2011
- CN 301719088 \* 11/2011

(Continued)

*Primary Examiner* — Sheryl Lane  
*Assistant Examiner* — Ieisha N Price

(56) **References Cited**

**U.S. PATENT DOCUMENTS**

- 2,936,667 A \* 5/1960 Thornberg ..... F16B 37/045  
411/965
- D207,123 S \* 3/1967 Flood ..... D8/387
- 4,530,629 A \* 7/1985 Sakow ..... E03D 11/16  
411/533
- 4,907,923 A \* 3/1990 McGrath, Jr. .... E03D 11/14  
411/908
- 5,222,851 A \* 6/1993 Dickerson ..... E03D 11/16  
411/397
- 5,335,849 A 8/1994 Forbes
- 5,492,372 A 2/1996 Dranberg
- 6,125,479 A \* 10/2000 Fraleigh ..... E03D 11/16  
411/401
- 6,302,416 B1 \* 10/2001 Schmack ..... B62D 17/00  
280/86.754

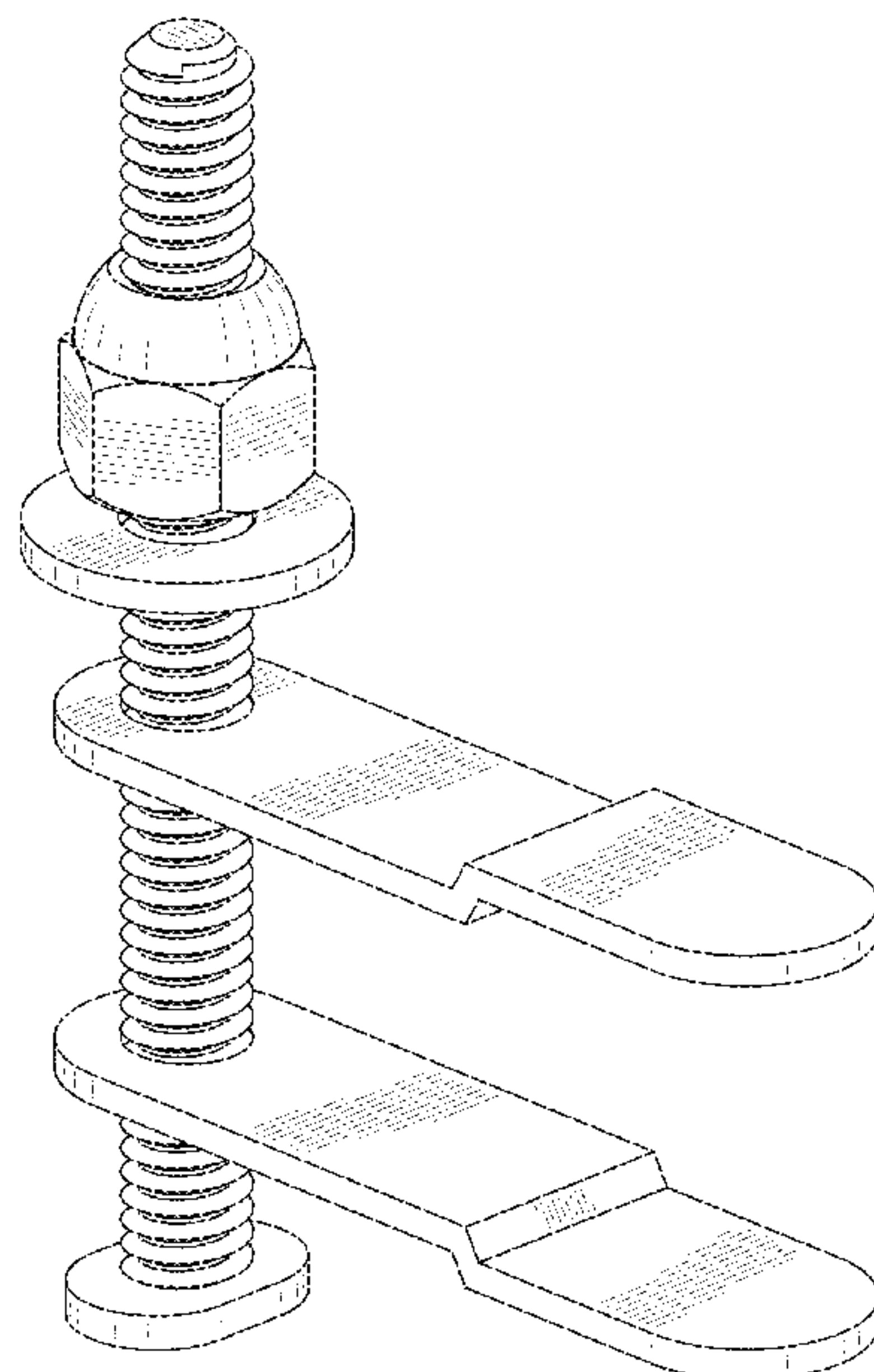
(57) **CLAIM**

The ornamental design for a toilet flange repair kit, as shown and described.

**DESCRIPTION**

FIG. 1 is a front view of a toilet flange repair kit showing my new design;  
FIG. 2 is a rear view of the toilet flange repair kit;  
FIG. 3 is a right side view of the toilet flange repair kit;  
FIG. 4 is a left side view of the toilet flange repair kit;  
FIG. 5 is a top view of the toilet flange repair kit;  
FIG. 6 is a bottom view of the toilet flange repair kit; and,  
FIG. 7 is a top front side perspective view of the toilet flange repair kit.

**1 Claim, 5 Drawing Sheets**



(56)

**References Cited**

U.S. PATENT DOCUMENTS

10,494,805	B2	12/2019	Doty	
D931,093	S *	9/2021	Wang	..... D8/387
2003/0053882	A1 *	3/2003	Reuter	..... F16B 21/09 411/107
2007/0186336	A1	8/2007	Gately	
2008/0016606	A1 *	1/2008	Serret	..... E03D 11/16 4/252.1
2008/0184469	A1 *	8/2008	Johnson	..... E03D 11/16 4/252.1
2012/0155986	A1 *	6/2012	Schaser	..... F16B 41/002 470/12
2012/0201625	A1 *	8/2012	Ikuno	..... F16B 31/021 411/5
2014/0053326	A1 *	2/2014	Kennedy	..... E03D 11/16 4/252.1
2014/0314523	A1 *	10/2014	Lin	..... F16B 25/0084 411/387.4
2015/0368891	A1 *	12/2015	Miller	..... E03D 11/16 4/252.1
2016/0281758	A1 *	9/2016	Dagenais	..... F16B 21/065
2017/0130418	A1 *	5/2017	Servais	..... E02D 35/00

FOREIGN PATENT DOCUMENTS

CN	302648135	*	11/2013
CN	306154201	*	11/2020
CN	307157312	*	3/2022
CN	307382391	*	6/2022
CN	307388687	*	6/2022
EP	1843075	A1	10/2007

\* cited by examiner

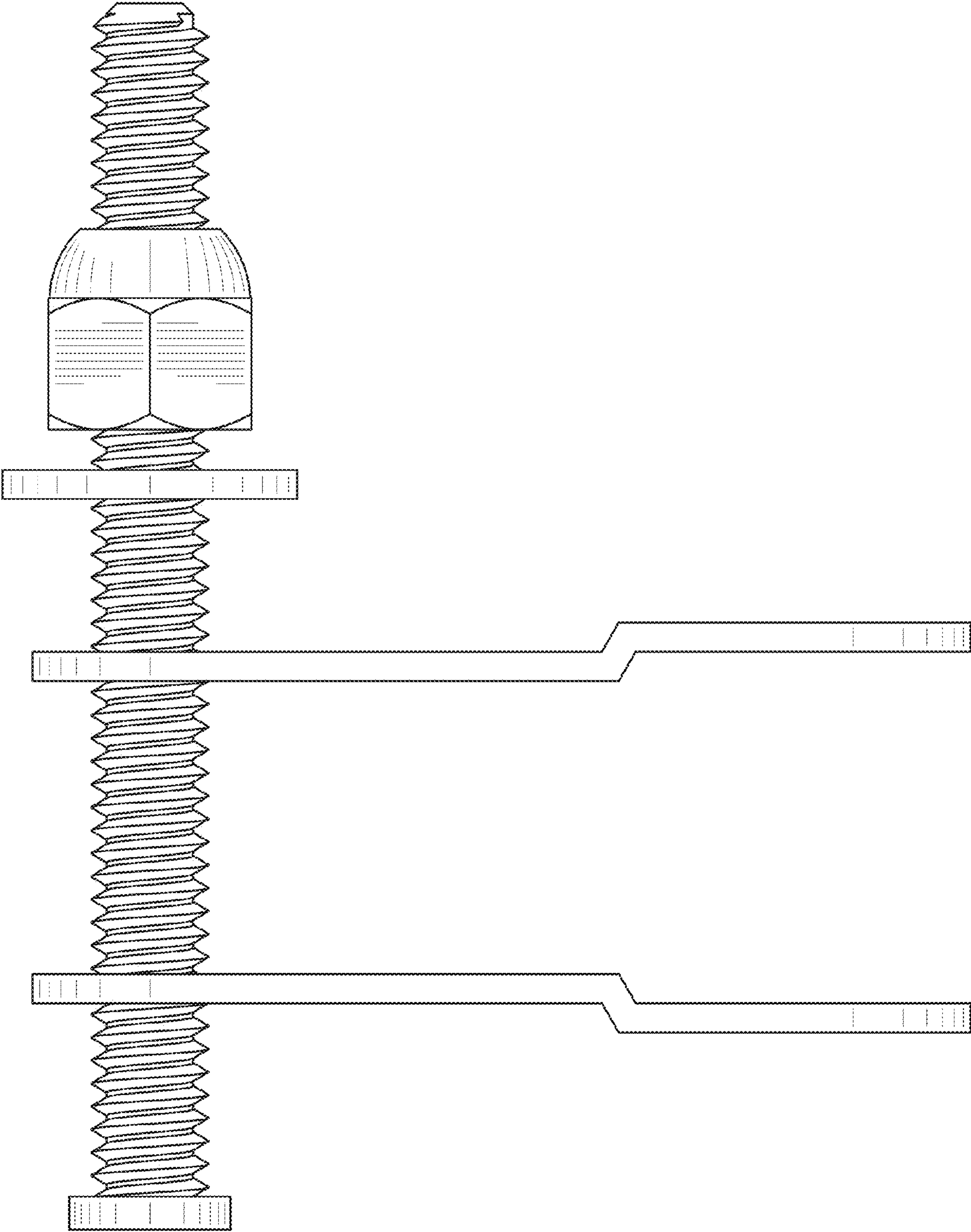


FIG. 1

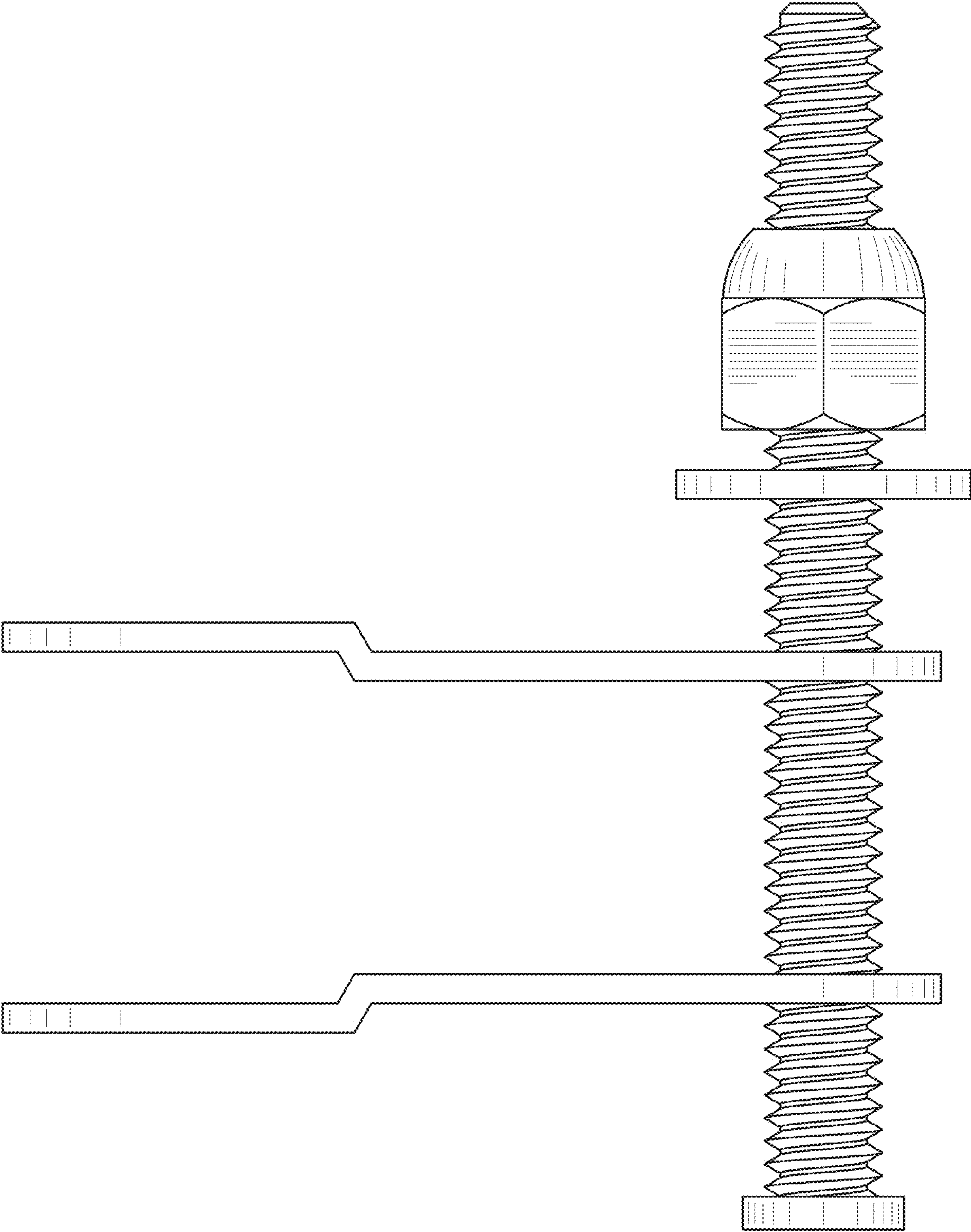


FIG. 2



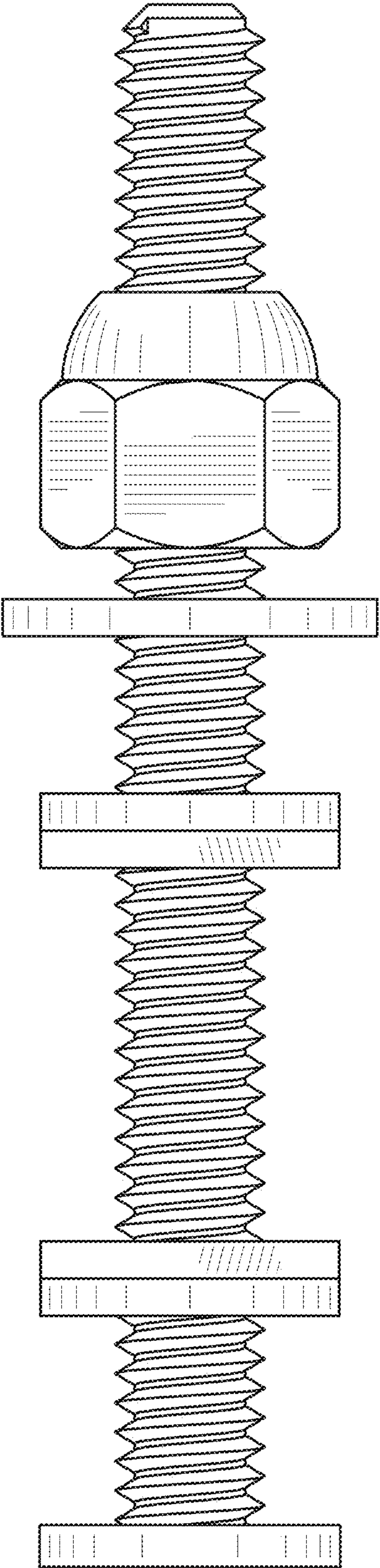


FIG. 3

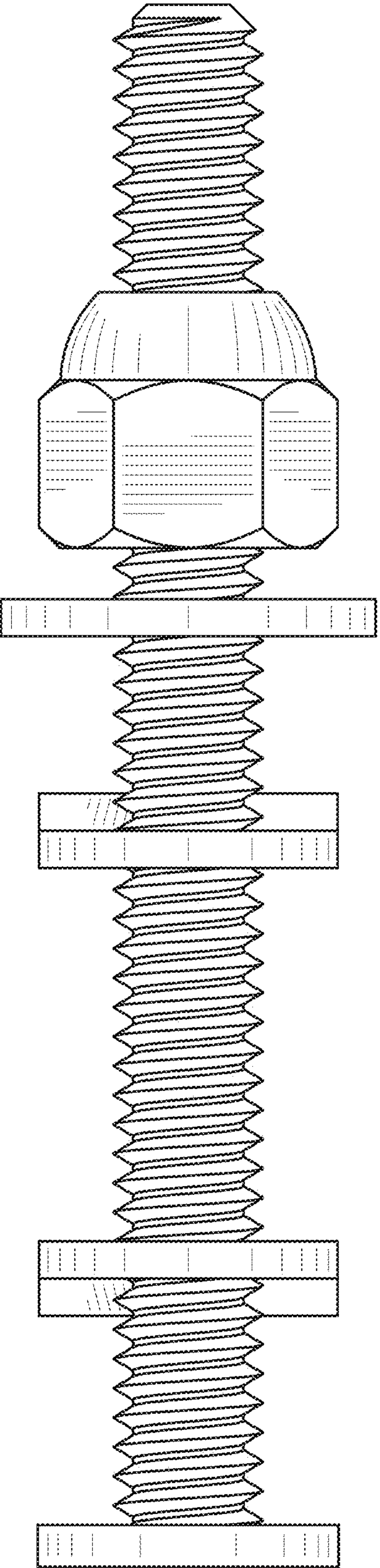


FIG. 4

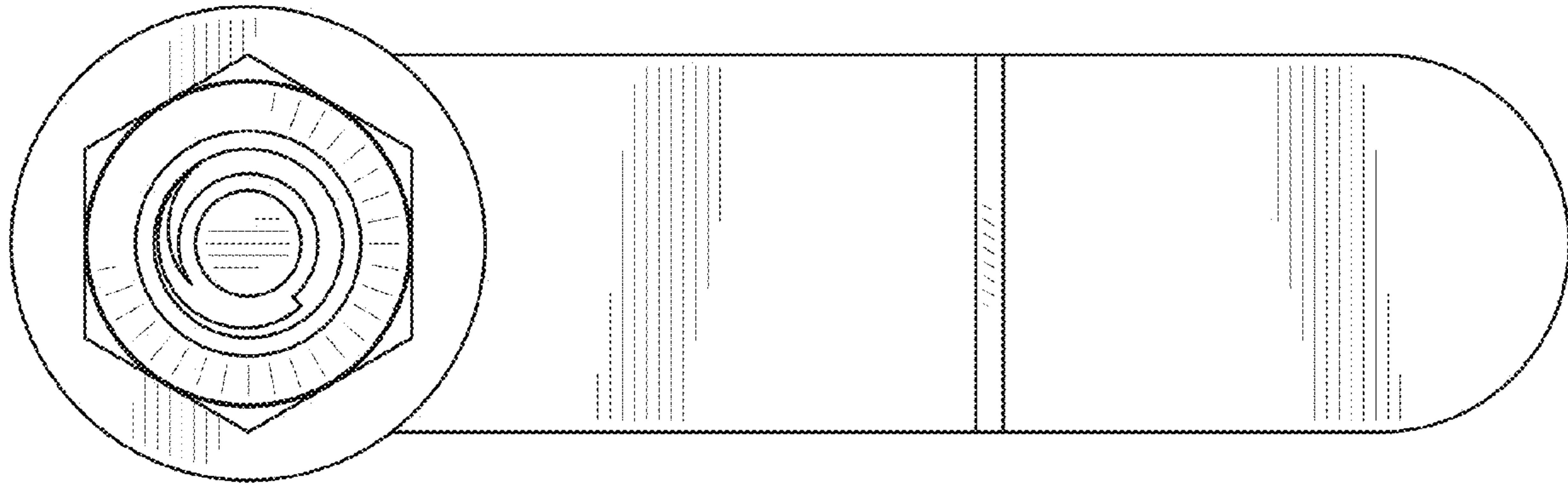


FIG. 5

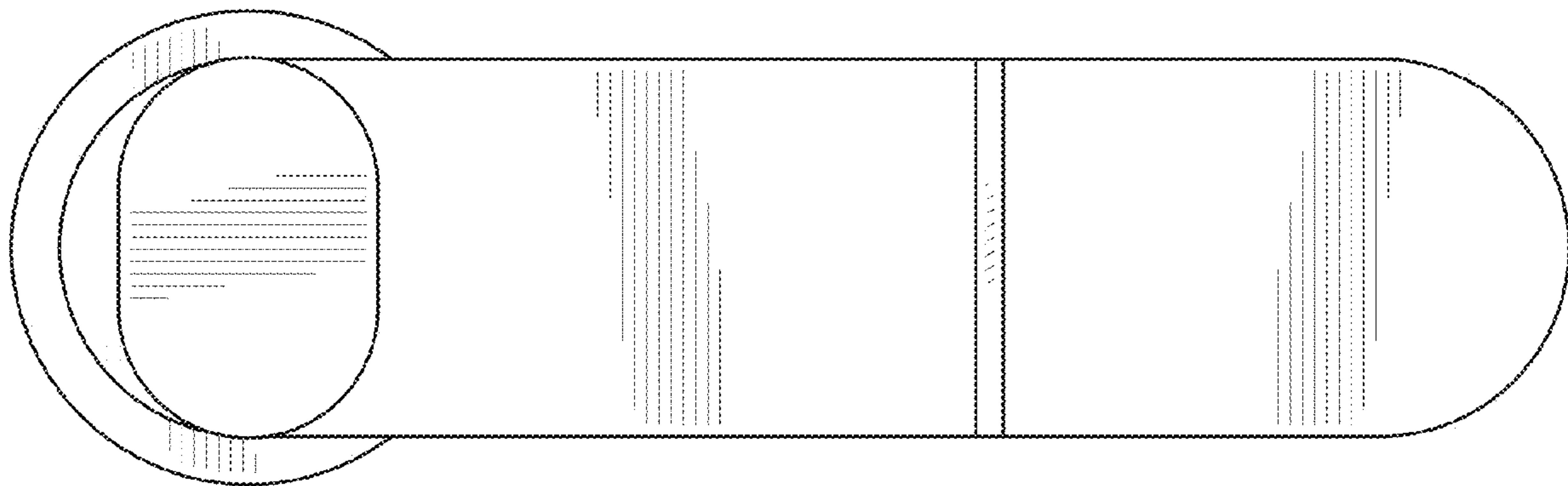


FIG. 6

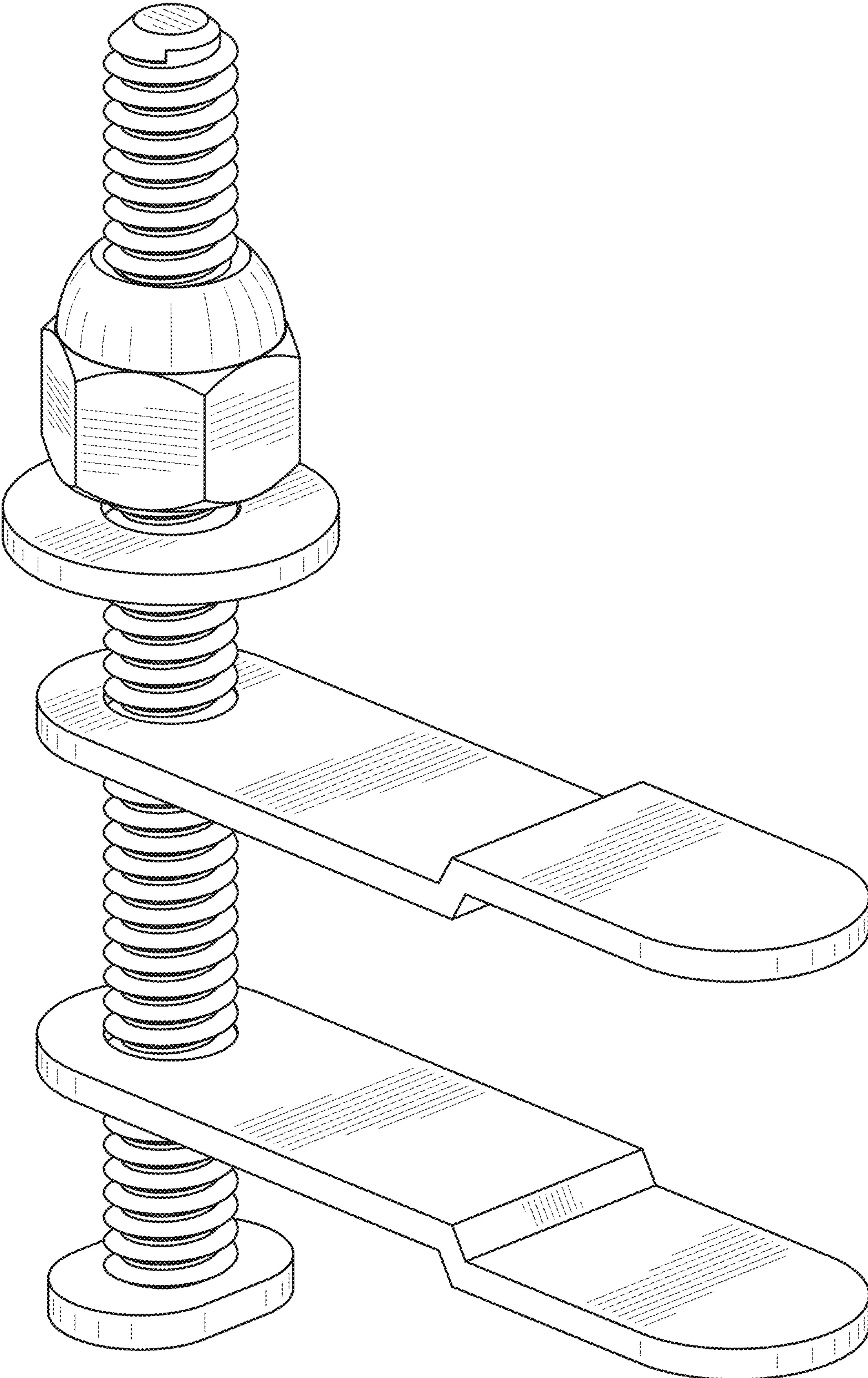


FIG. 7