



US00D978656S

(12) **United States Design Patent** (10) **Patent No.:** **US D978,656 S**  
**Bright et al.** (45) **Date of Patent:** **\*\* Feb. 21, 2023**

(54) **BRACKET**

(71) Applicant: **A&M Hardware Inc**, Mount Joy, PA (US)

(72) Inventors: **Mike Bright**, Lititz, PA (US); **Jared Ingold**, Manheim, PA (US)

(\*\*) Term: **15 Years**

(21) Appl. No.: **29/695,146**

(22) Filed: **Jun. 17, 2019**

(51) **LOC (14) Cl.** ..... **08-05**

(52) **U.S. Cl.**  
USPC ..... **D8/354**

(58) **Field of Classification Search**  
USPC ..... D8/366, 349, 327, 363–365, 380–382, D8/353–355, 373; D25/119, 133, 400, D25/406, 223, 414  
CPC ..... F04B 1/122; F04B 1/2085; F04B 53/16; F16C 19/364; F16C 19/385; F16C 23/084; F16C 2360/00; F16C 2360/42; F16C 27/04; F16C 33/723; F16C 33/7886; F16C 35/067; F16C 35/077; E04C 2003/0421; E04C 3/02  
See application file for complete search history.

(56) **References Cited**

**U.S. PATENT DOCUMENTS**

D325,488 S \* 4/1992 Sheriff ..... D8/373  
D439,502 S \* 3/2001 Shan ..... D8/354  
D586,204 S \* 2/2009 Robbins, III ..... D8/380  
(Continued)

**OTHER PUBLICATIONS**

Solid Heavy Duty Flat Wall Counter Top Support Bracket, Date Visited: Nov. 4, 2022, Amazon, Date Available: Aug. 26, 2015, <https://www.amazon.com/Heavy-Duty-Countertop-Support-Bracket/dp/B014102ZJG> (Year: 2015).\*

(Continued)

*Primary Examiner* — Karen S Acker  
*Assistant Examiner* — Elizabeth S Ko  
(74) *Attorney, Agent, or Firm* — Steve O'Donnell

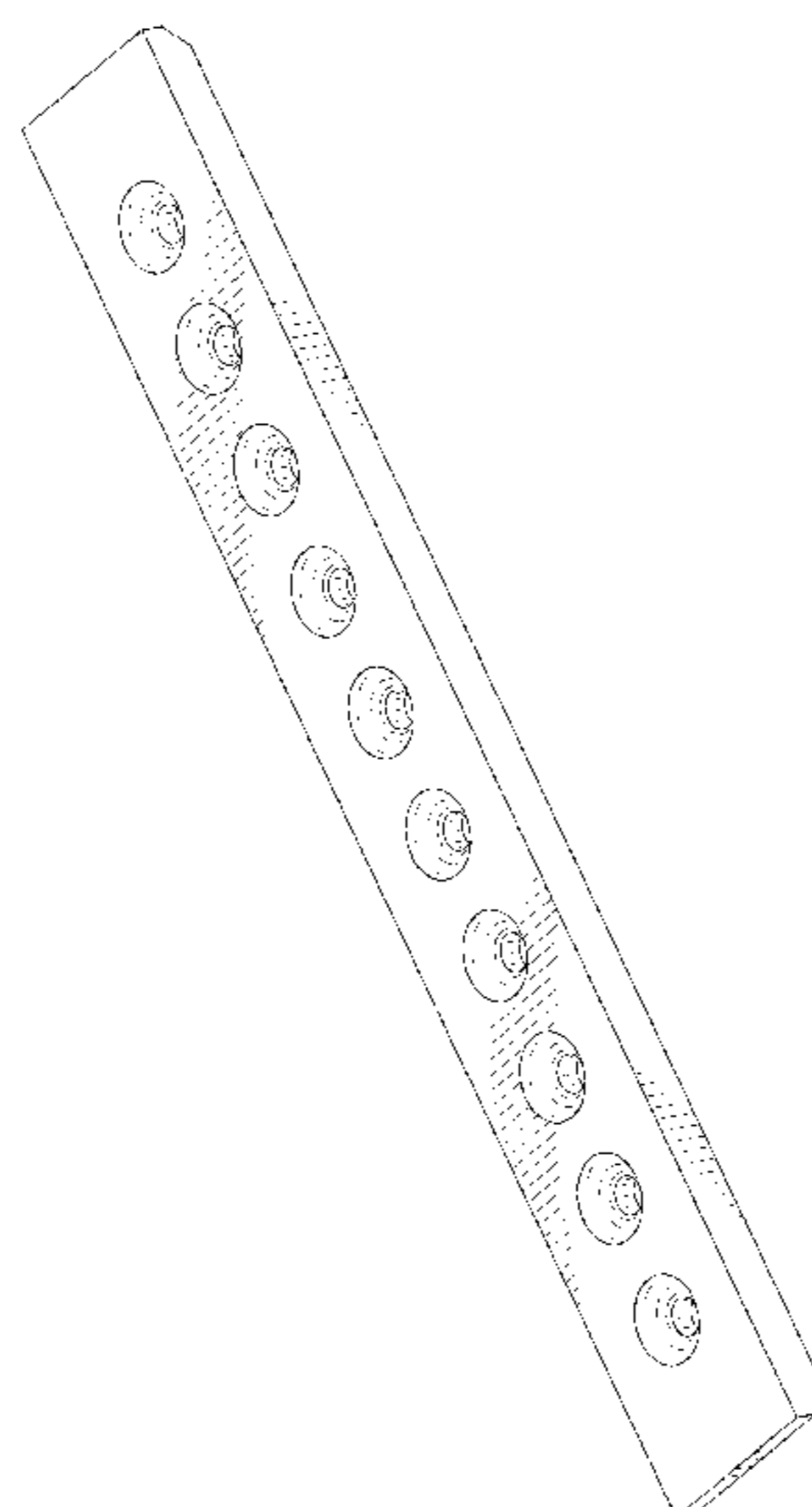
(57) **CLAIM**

The ornamental design for a bracket, as shown and described.

**DESCRIPTION**

FIG. 1 is a top perspective view of a first embodiment of our design;  
FIG. 2 is a bottom perspective view thereof;  
FIG. 3 is a top view thereof;  
FIG. 4 is a bottom view thereof;  
FIG. 5 is a left side elevation view thereof, the right side elevation view being a mirror image;  
FIG. 6 is a front elevation view thereof, the rear elevation view being a mirror image;  
FIG. 7 is a top perspective view of a second embodiment of our design;  
FIG. 8 is a bottom perspective view thereof;  
FIG. 9 is a top view thereof;  
FIG. 10 is a bottom view thereof;  
FIG. 11 is a left side elevation view thereof, the right side elevation view being a mirror image;  
FIG. 12 is a front elevation view thereof, the rear elevation view being a mirror image;  
FIG. 13 is a top perspective view of a third embodiment of our design;  
FIG. 14 is a bottom perspective view thereof.  
FIG. 15 is a top view thereof;  
FIG. 16 is a bottom view thereof;  
FIG. 17 is a left side elevation view thereof, the right side elevation view being a mirror image; and,  
FIG. 18 is a front elevation view thereof, the rear elevation view being a mirror image.  
Broken lines are included for the purpose of illustrating environmental elements that form no part of the claimed design.

**1 Claim, 12 Drawing Sheets**



(56)

References Cited

U.S. PATENT DOCUMENTS

D586,205 S \* 2/2009 Robbins, III ..... D8/380  
 D608,625 S \* 1/2010 Mercado ..... D8/380  
 D619,446 S \* 7/2010 Reti ..... D8/354  
 D640,123 S \* 6/2011 Stearns ..... D8/355  
 D649,863 S \* 12/2011 Meyer ..... D8/354  
 D702,534 S \* 4/2014 Nowak ..... D8/355  
 D796,303 S \* 9/2017 Stultz ..... D8/354  
 D828,743 S \* 9/2018 Bright ..... D8/380  
 D847,621 S \* 5/2019 Kolar ..... D8/381  
 D848,245 S \* 5/2019 Hammer ..... D8/363  
 D848,819 S \* 5/2019 French ..... D8/349  
 D892,599 S \* 8/2020 Witherbee ..... D8/354  
 D898,554 S \* 10/2020 Evans ..... D8/354  
 D902,694 S \* 11/2020 Freeman ..... D8/349  
 D904,361 S \* 12/2020 Pei ..... D14/239  
 D904,861 S \* 12/2020 McWilliams ..... D8/354  
 D905,070 S \* 12/2020 Pei ..... D14/239  
 D913,998 S \* 3/2021 Pei ..... D14/239  
 D932,874 S \* 10/2021 Del Rossa ..... D8/354  
 D943,458 S \* 2/2022 Campman ..... E01B 26/00  
 D12/51

D946,378 S \* 3/2022 Hummel ..... D8/354  
 D947,005 S \* 3/2022 Pavlov ..... D8/354  
 D948,315 S \* 4/2022 Pavlov ..... D8/354

OTHER PUBLICATIONS

FastCap 09394, Date Visited: Nov. 4, 2022, Amazon, Date Available: May 11, 2015, <https://www.amazon.com/FastCap-09394-BL-2-inches-16-inches-SpeedBrace/dp/B00XIKJUQ4> (Year: 2015).  
 Solid Heavy Duty Steel Countertop Support Bracket, Date Visited: Nov. 4, 2022, Amazon, Date Available: Nov. 20, 2018, <https://www.amazon.com/Flat-Wall-Countertop-Support-Bracket/dp/B07KP4WSZZ> (Year: 2018).  
 Island Bar And Brackets, Date Visited: Nov. 4, 2022, A&M Hardware, Date Available: Nov. 4, 2022, <https://www.aandmhardware.com/PDF/IslandBarBracketCutSheet.pdf> (Year: 2022).  
 2-D Island Bracket Drawings \_ A&M Hardware, Date Visited: Nov. 4, 2022, A&M Hardware, Date Available: Nov. 4, 2022, <https://www.aandmhardware.com/island-brackets-2d-drawings.php> (Year: 2022).

\* cited by examiner

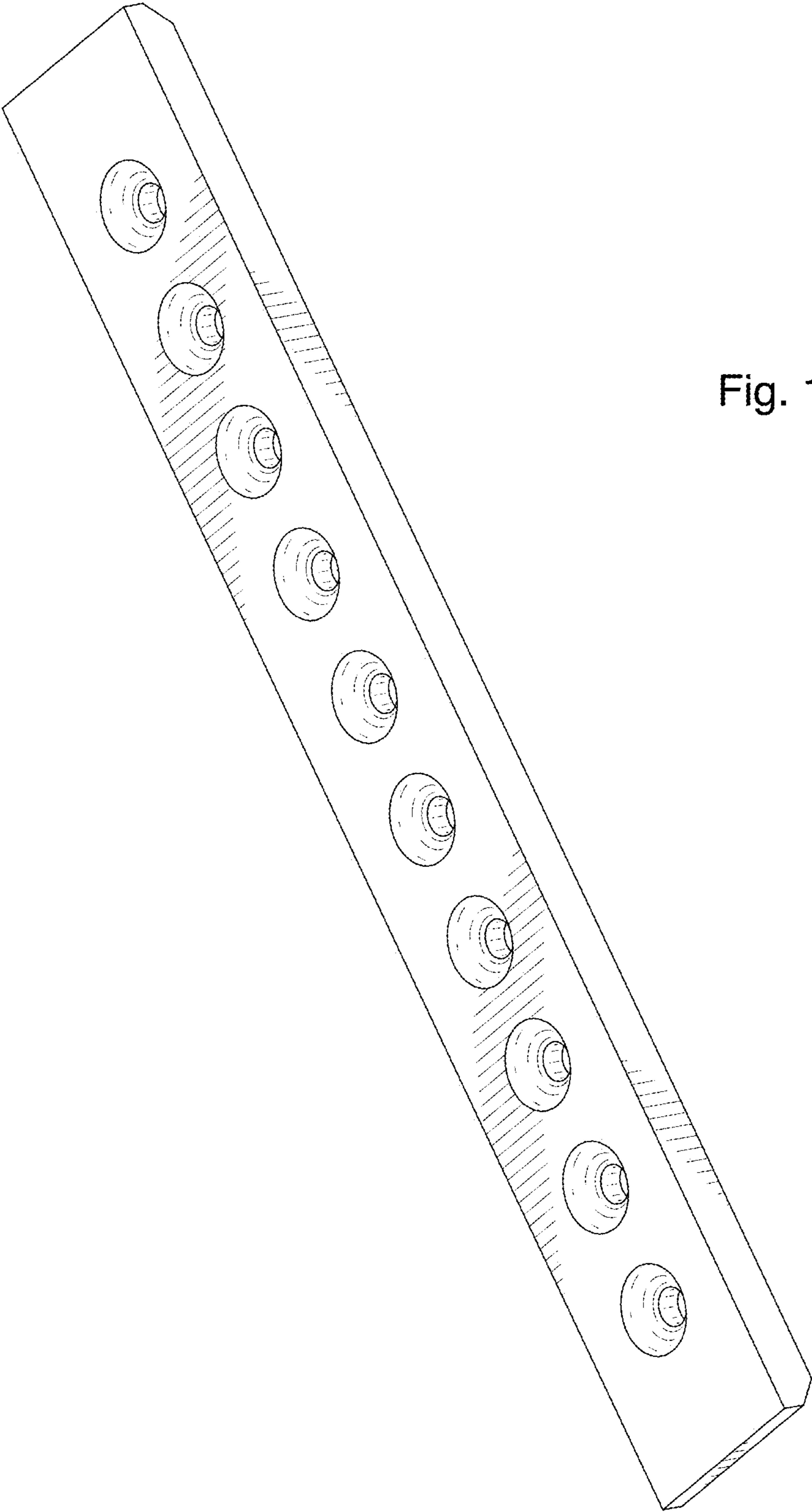


Fig. 1

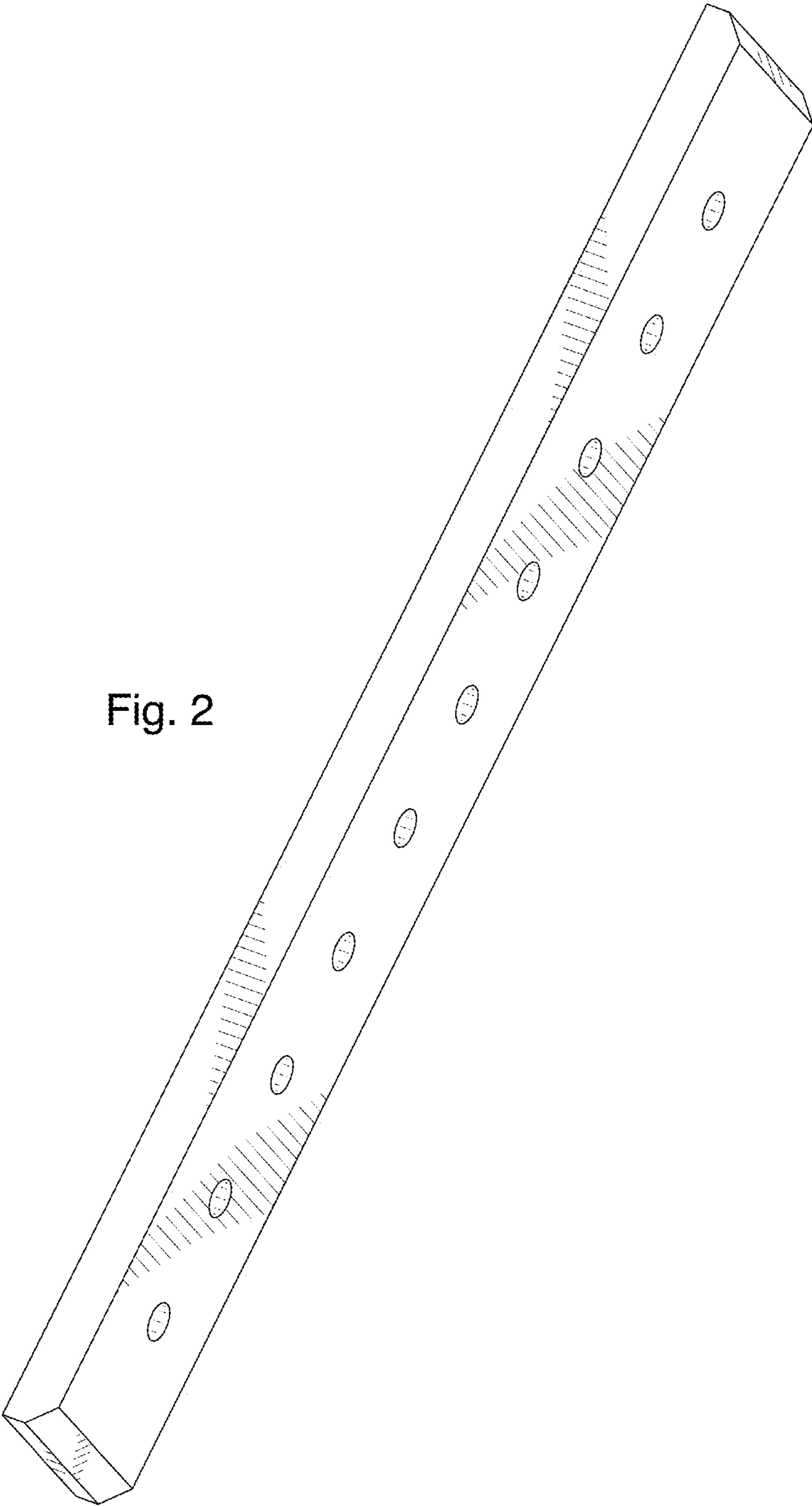


Fig. 2

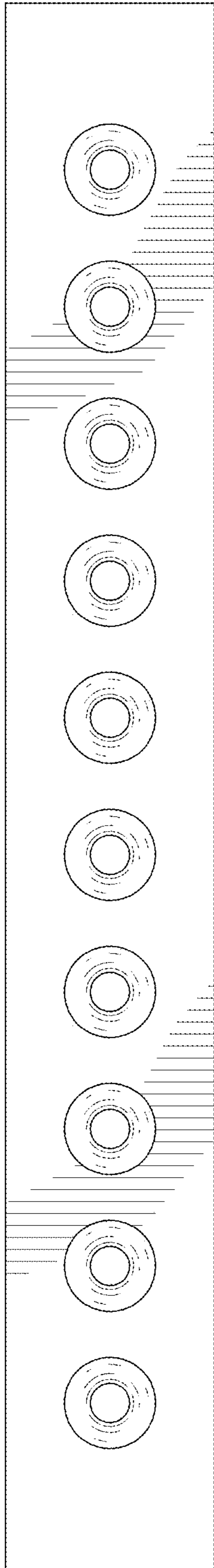


Fig. 3

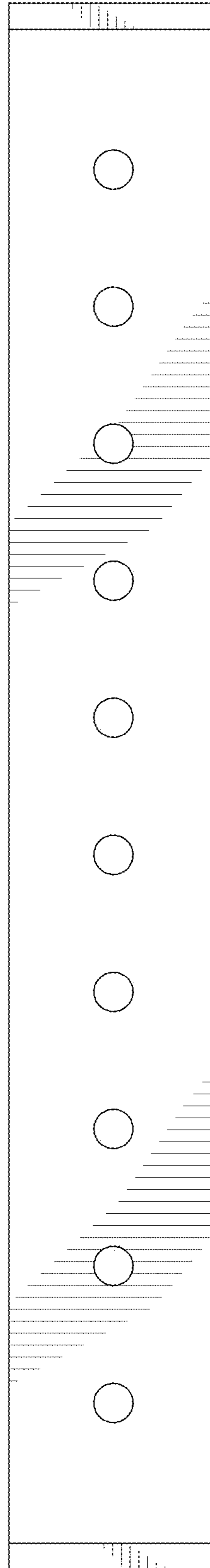


Fig. 4



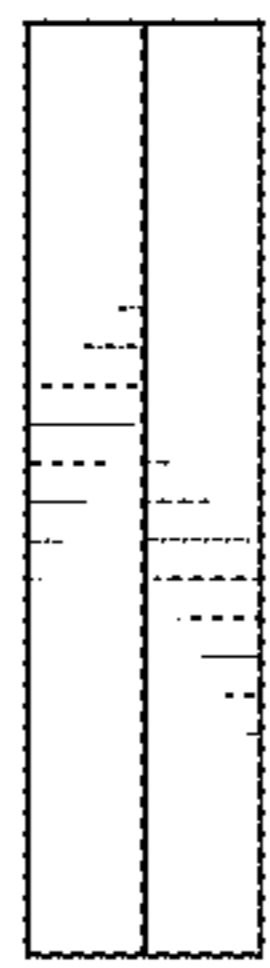


Fig. 5



Fig. 6

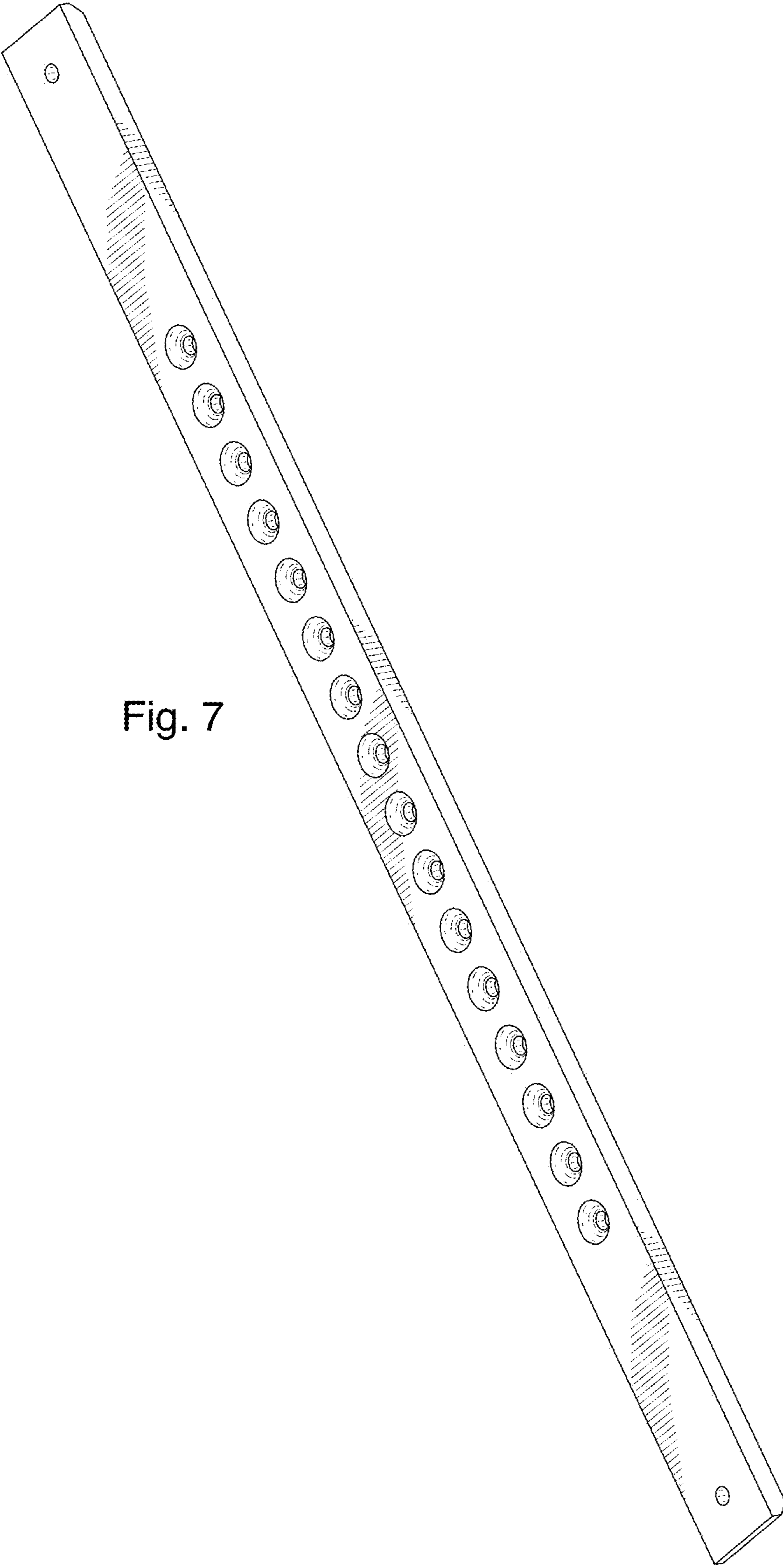


Fig. 7

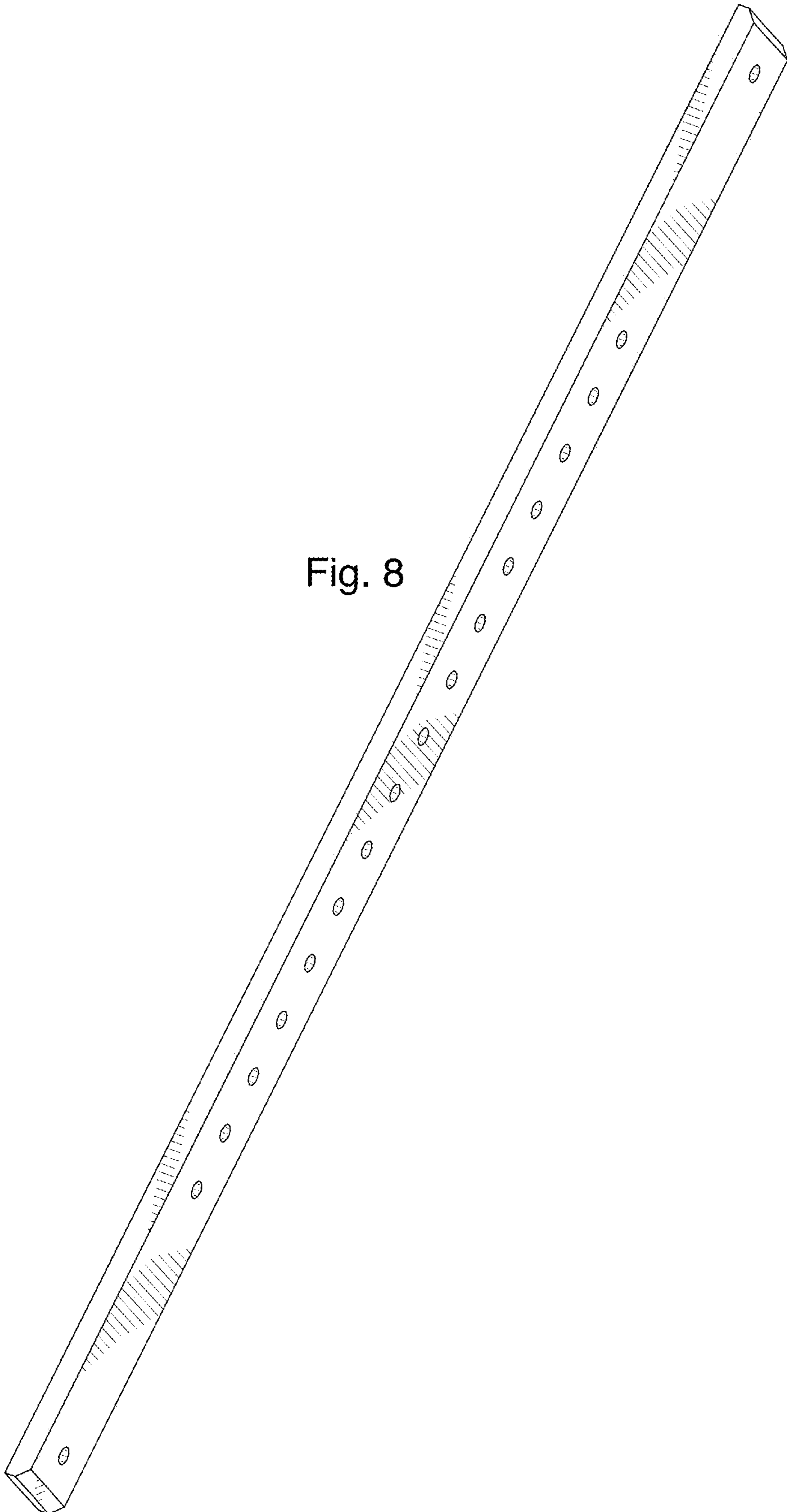


Fig. 8



Fig. 9

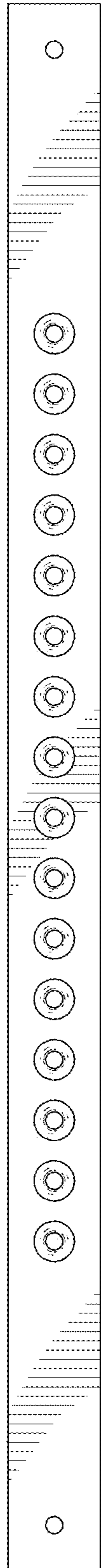
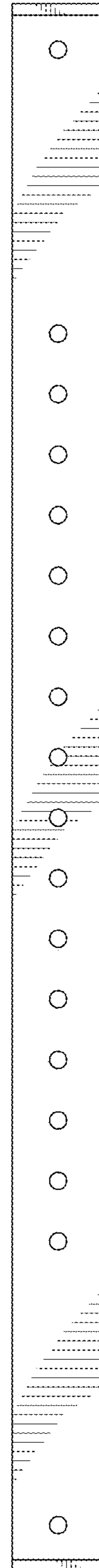


Fig. 10



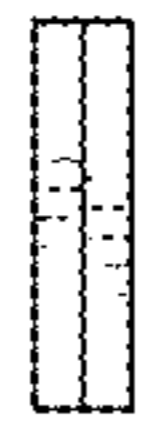


Fig. 11

Fig. 12



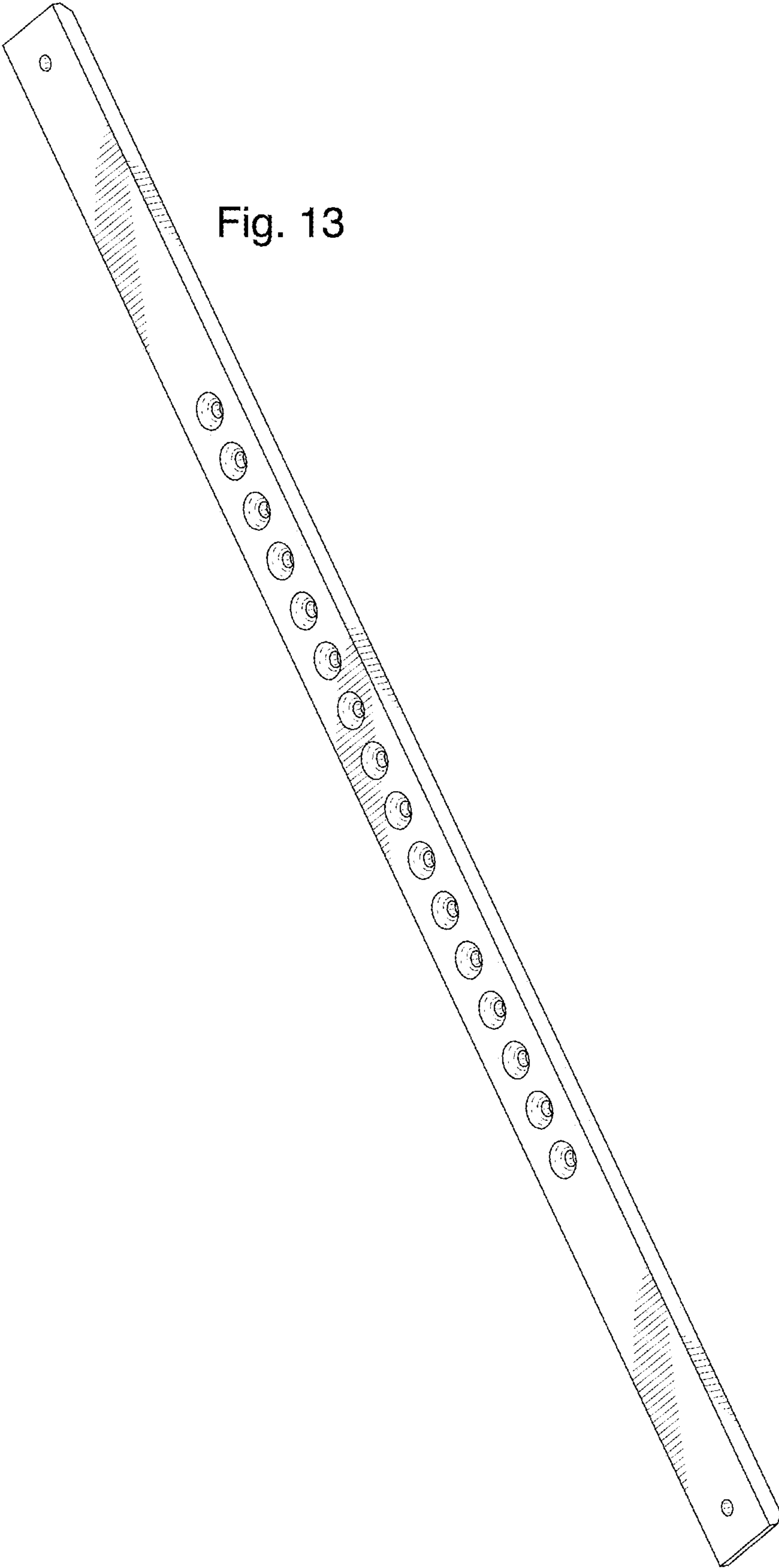


Fig. 13

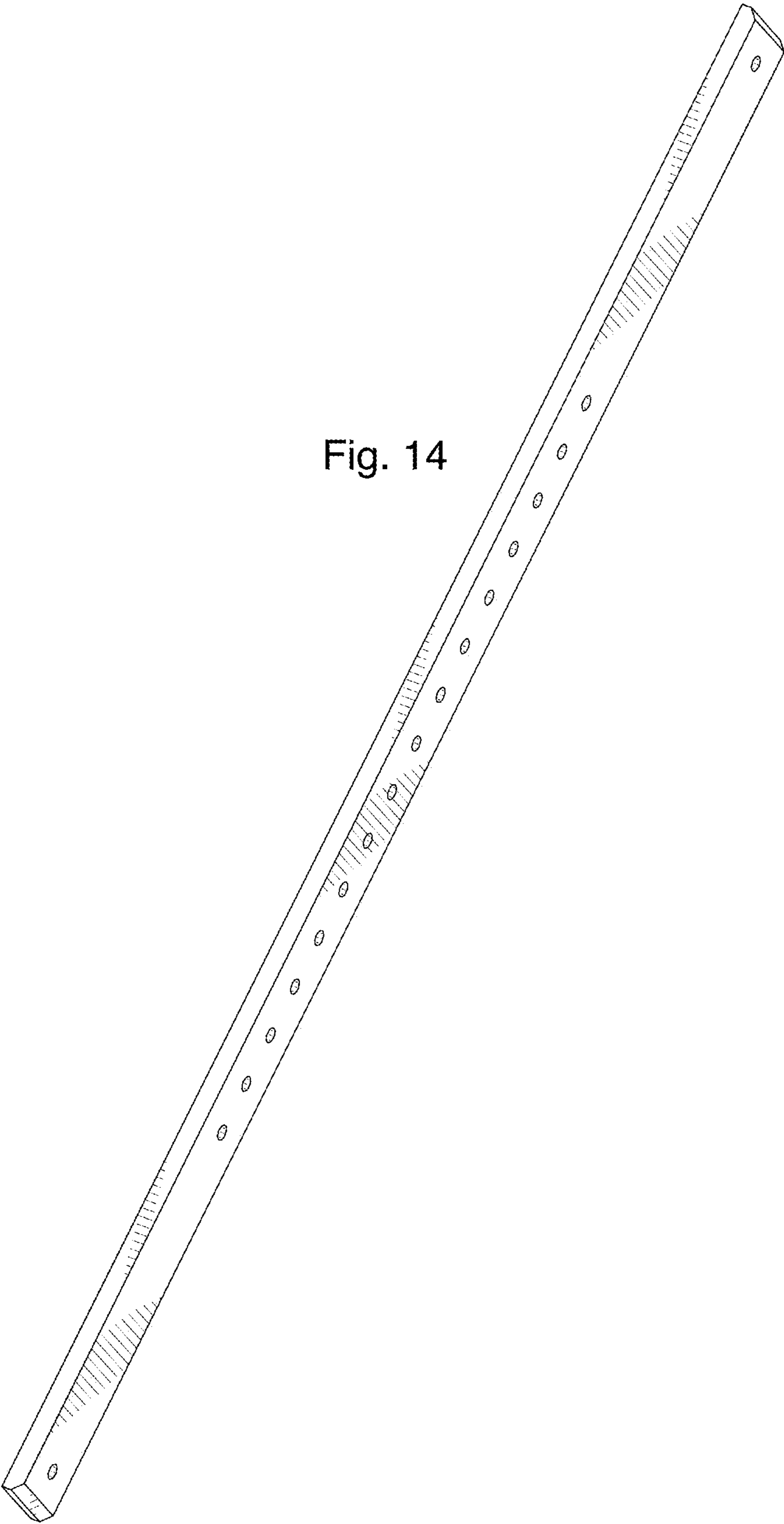


Fig. 14

Fig. 15

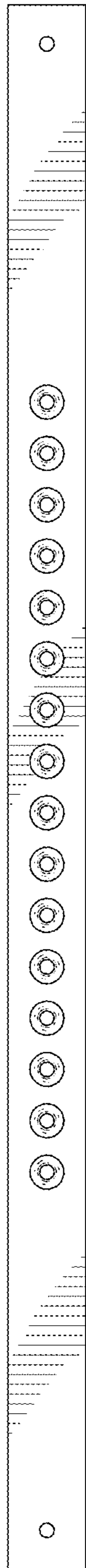
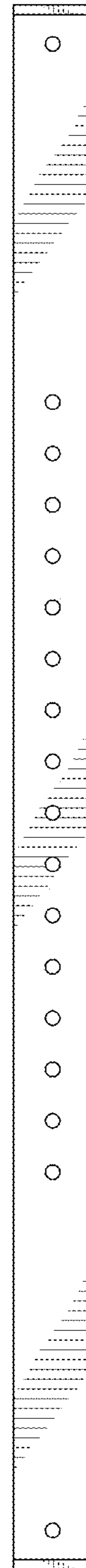


Fig. 16



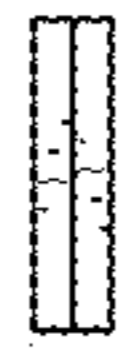


Fig. 17

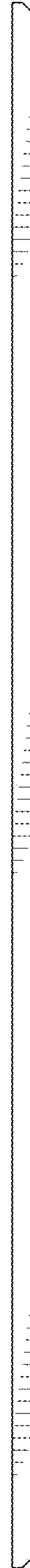


Fig. 18