



US00D978655S

(12) **United States Design Patent**
Ding

(10) **Patent No.:** **US D978,655 S**

(45) **Date of Patent:** **** Feb. 21, 2023**

- (54) **SET OF SMART LOCKS**
- (71) Applicant: **Shenzhen Juneng Sino-foreign Technology Co., Ltd., Shenzhen (CN)**
- (72) Inventor: **Mengdong Ding, Shenzhen (CN)**
- (73) Assignee: **Shenzhen Juneng Sino-foreign Technology Co., Ltd., Shenzhen (CN)**
- (**) Term: **15 Years**
- (21) Appl. No.: **29/838,174**
- (22) Filed: **May 11, 2022**
- (51) **LOC (14) Cl.** **08-07**
- (52) **U.S. Cl.**
USPC **D8/331**
- (58) **Field of Classification Search**
USPC D8/300, 331, 330, 349, 303, 310
CPC . E05B 3/02; E05B 3/003; E05B 71/00; E05B 3/04; E05B 2047/0057; E05B 47/00; E05B 1/00; E05B 2047/0058; Y10T 292/85
See application file for complete search history.

- D939,922 S * 1/2022 Xin E05B 9/00 D8/330
- D957,231 S * 7/2022 Dai E05B 9/02 D8/343
- 2018/0283044 A1* 10/2018 Morstatt E05B 3/02

OTHER PUBLICATIONS

Smart Door Lock, by MDHAND on Amazon.com. Dated May 17, 2022. Found online [Aug. 16, 2022]. <https://www.amazon.com/MDHAND-Keyless-Compatible-Google-Fingerprint/dp/B09Z6R5LRJ>.*

* cited by examiner

Primary Examiner — Eliza Z Harvey
Assistant Examiner — Kayla Marie Bennett
(74) *Attorney, Agent, or Firm* — ScienBiziP, P.C.

(57) **CLAIM**

The ornamental design for a set of smart locks, as shown and described.

DESCRIPTION

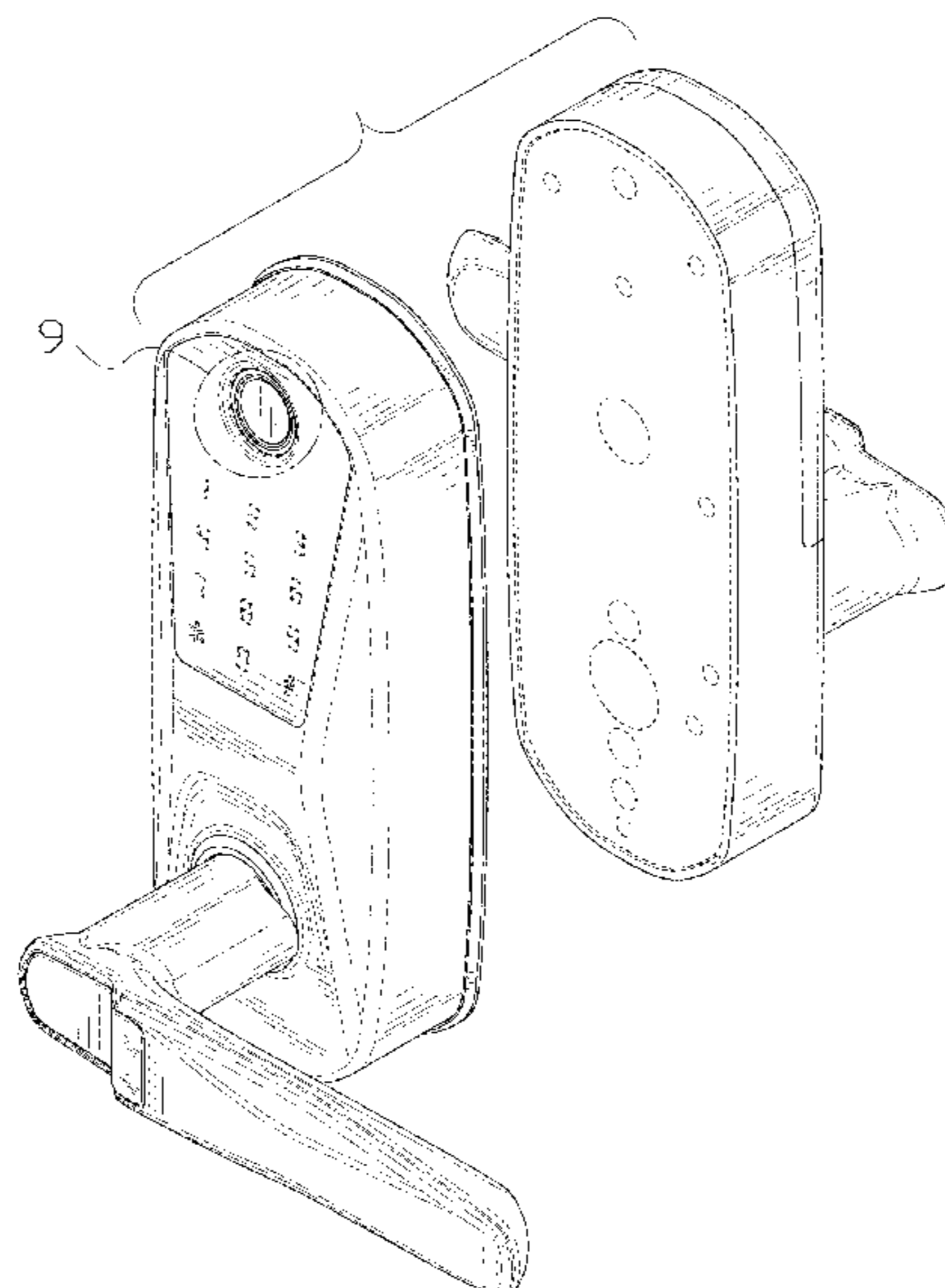
FIG. 1 is a front, right and top perspective view of a set of smart locks, showing my design.
 FIG. 2 is a rear, left and bottom perspective view thereof.
 FIG. 3 is a front elevation view thereof.
 FIG. 4 is a rear elevation view thereof.
 FIG. 5 is a left side elevation view thereof.
 FIG. 6 is a right side elevation view thereof.
 FIG. 7 is a top plan view thereof.
 FIG. 8 is a bottom plan view thereof; and,
 FIG. 9 is a partial enlarged view of an area labeled 9 in FIG. 1.
 The broken lines show portions of the set of smart locks that form no part of the claimed design. The dash-dash broken lines represent boundaries of the claimed design and form no part of the claimed design.
 The dot-dash broken lines surrounding the detail views shown in FIGS. 1 and 9 are for annotative purposes only and form no part thereof.

1 Claim, 9 Drawing Sheets

(56) **References Cited**

U.S. PATENT DOCUMENTS

- 6,733,050 B1 * 5/2004 Yao E05B 63/044 292/137
- D660,129 S * 5/2012 Genord D8/330
- D679,986 S * 4/2013 Hsieh D8/330
- D737,657 S * 9/2015 Nadgouda D8/350
- D790,948 S * 7/2017 Lai D8/330
- D794,414 S * 8/2017 Chou D8/350
- D814,265 S * 4/2018 Kasper D8/330
- D840,785 S * 2/2019 Kasper D8/330
- D901,278 S * 11/2020 Zheng D8/331
- D911,147 S * 2/2021 Li D8/330
- D920,766 S * 6/2021 Zheng D8/331
- D938,798 S 12/2021 Hirvesaar
- D938,799 S * 12/2021 Wei D8/331



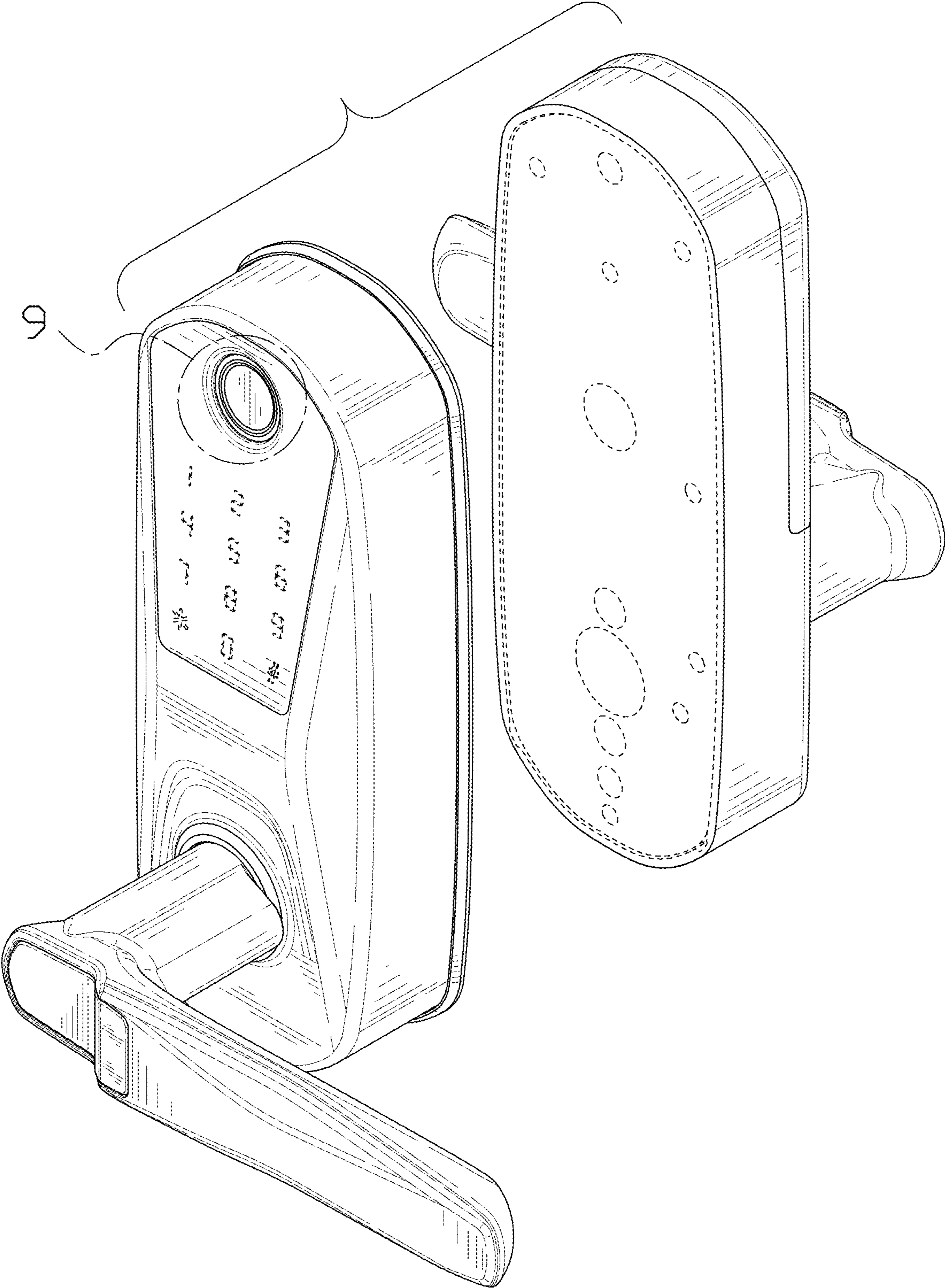


FIG. 1

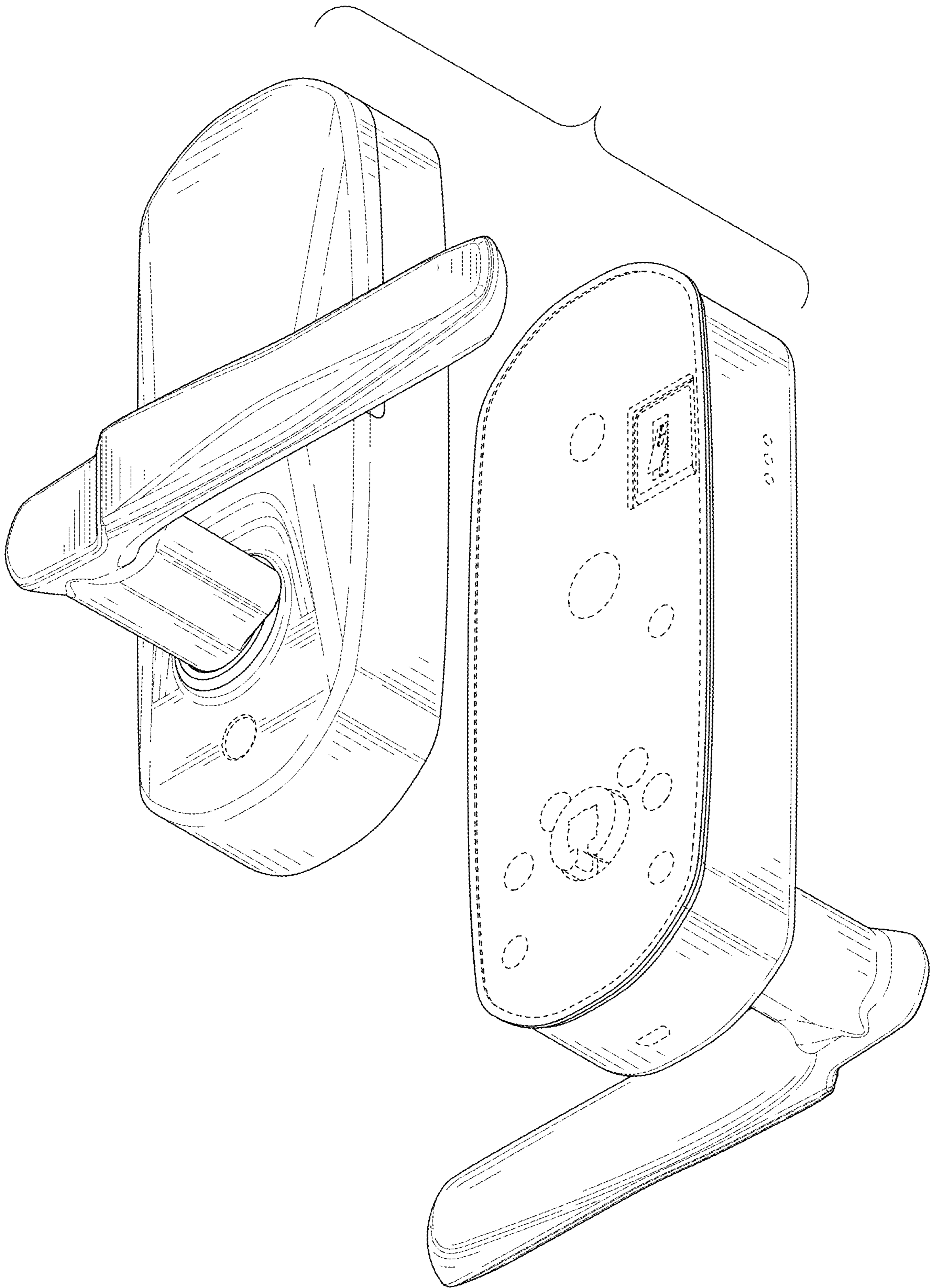


FIG. 2

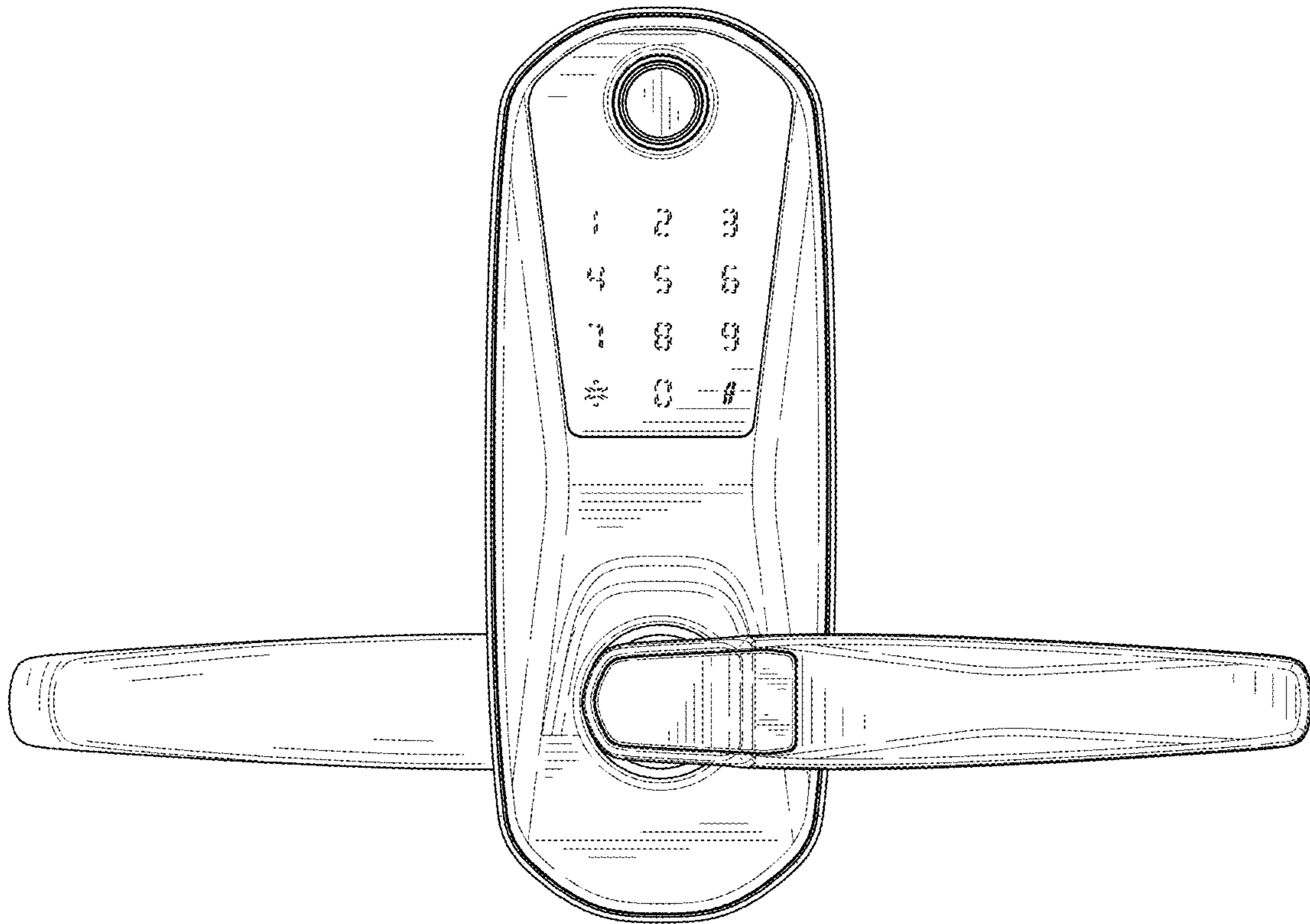


FIG. 3

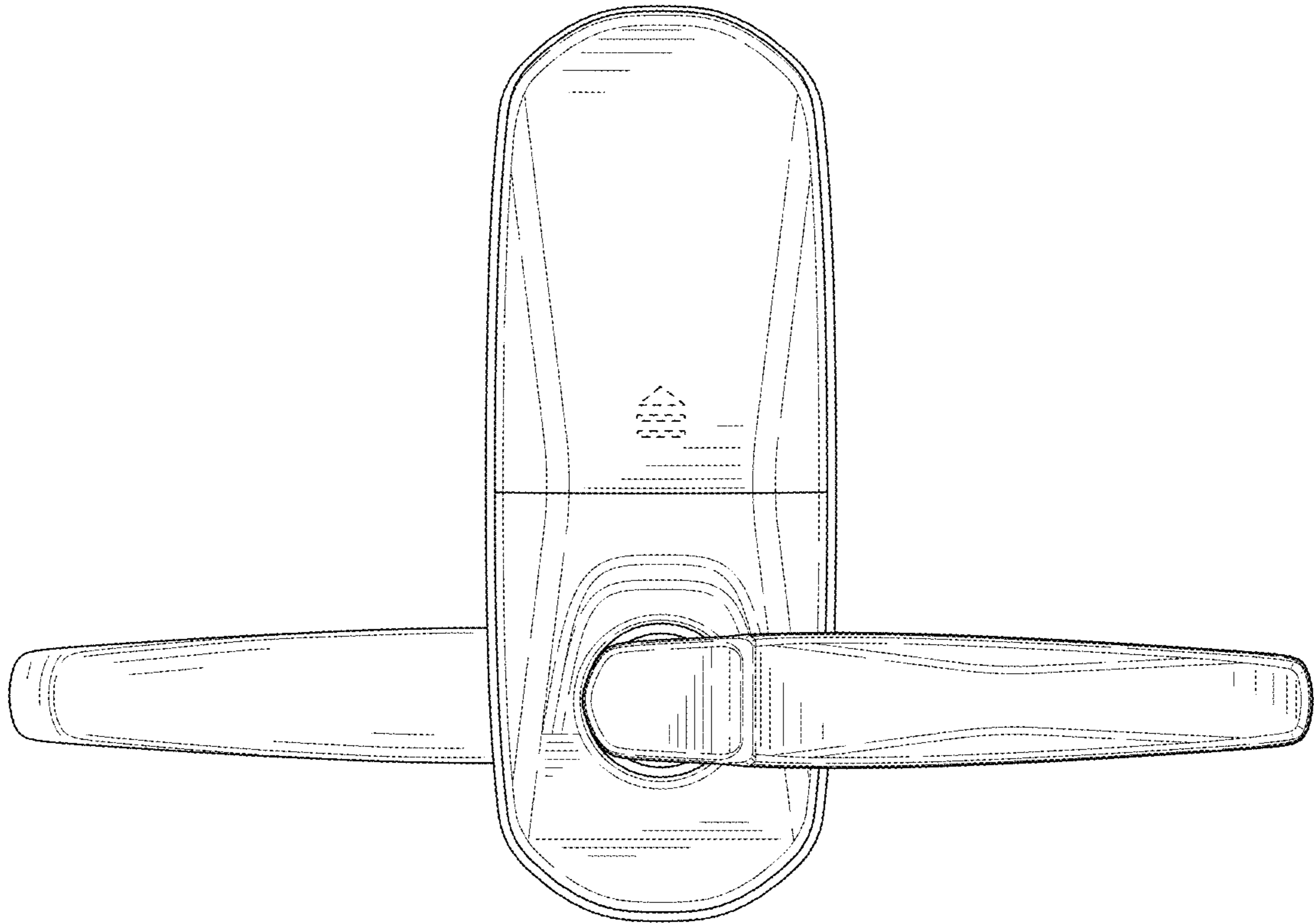


FIG. 4

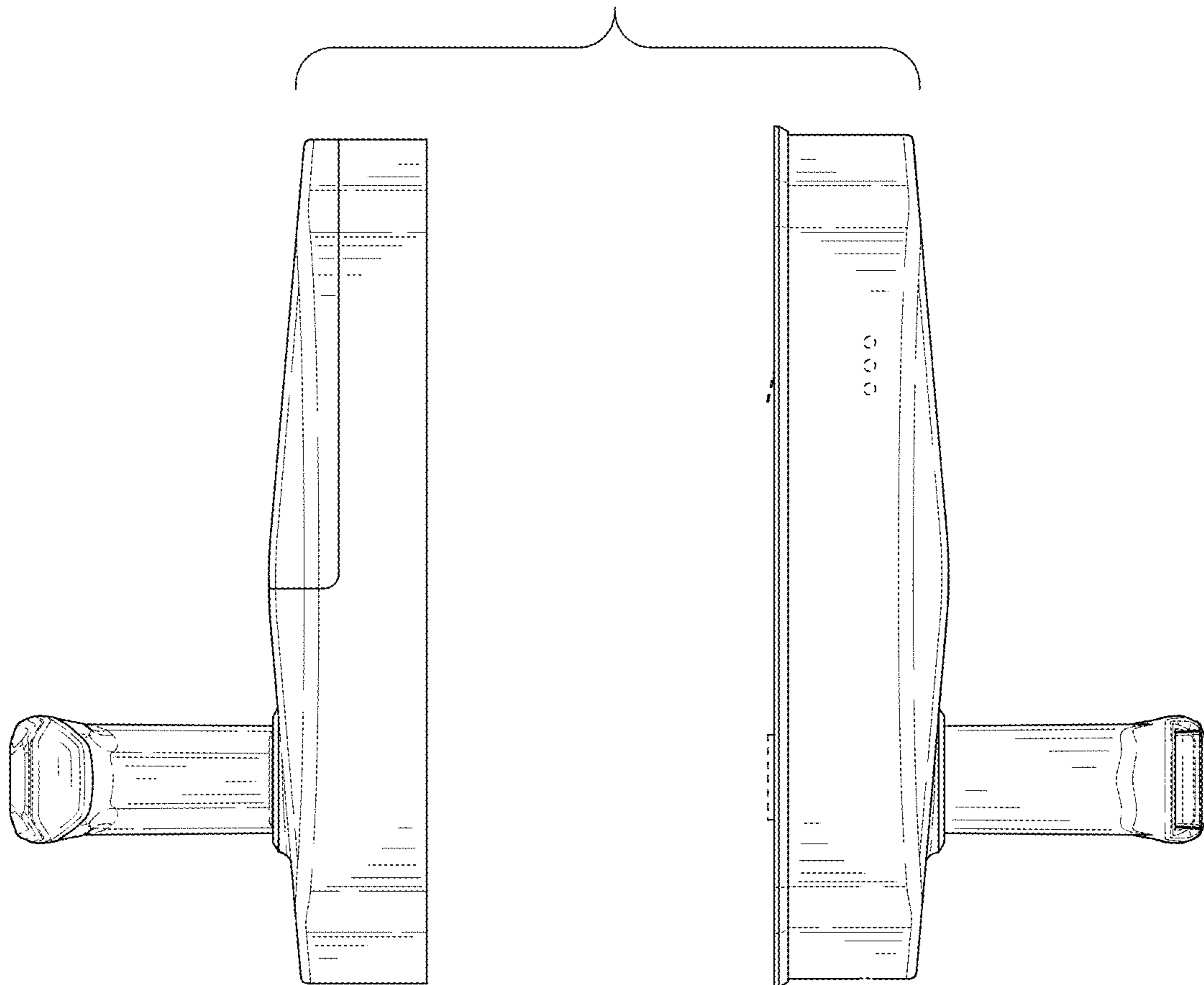


FIG. 5

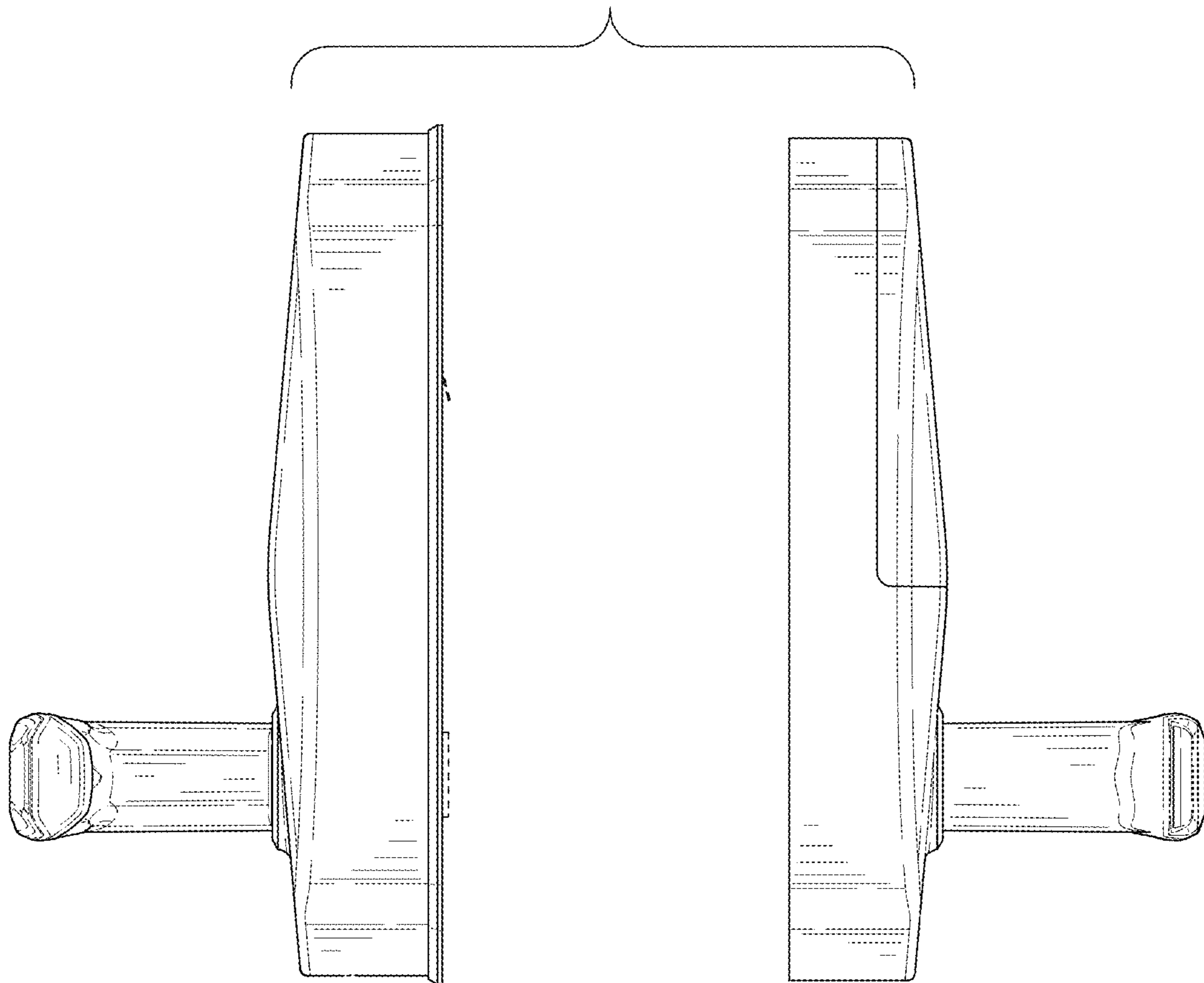


FIG. 6

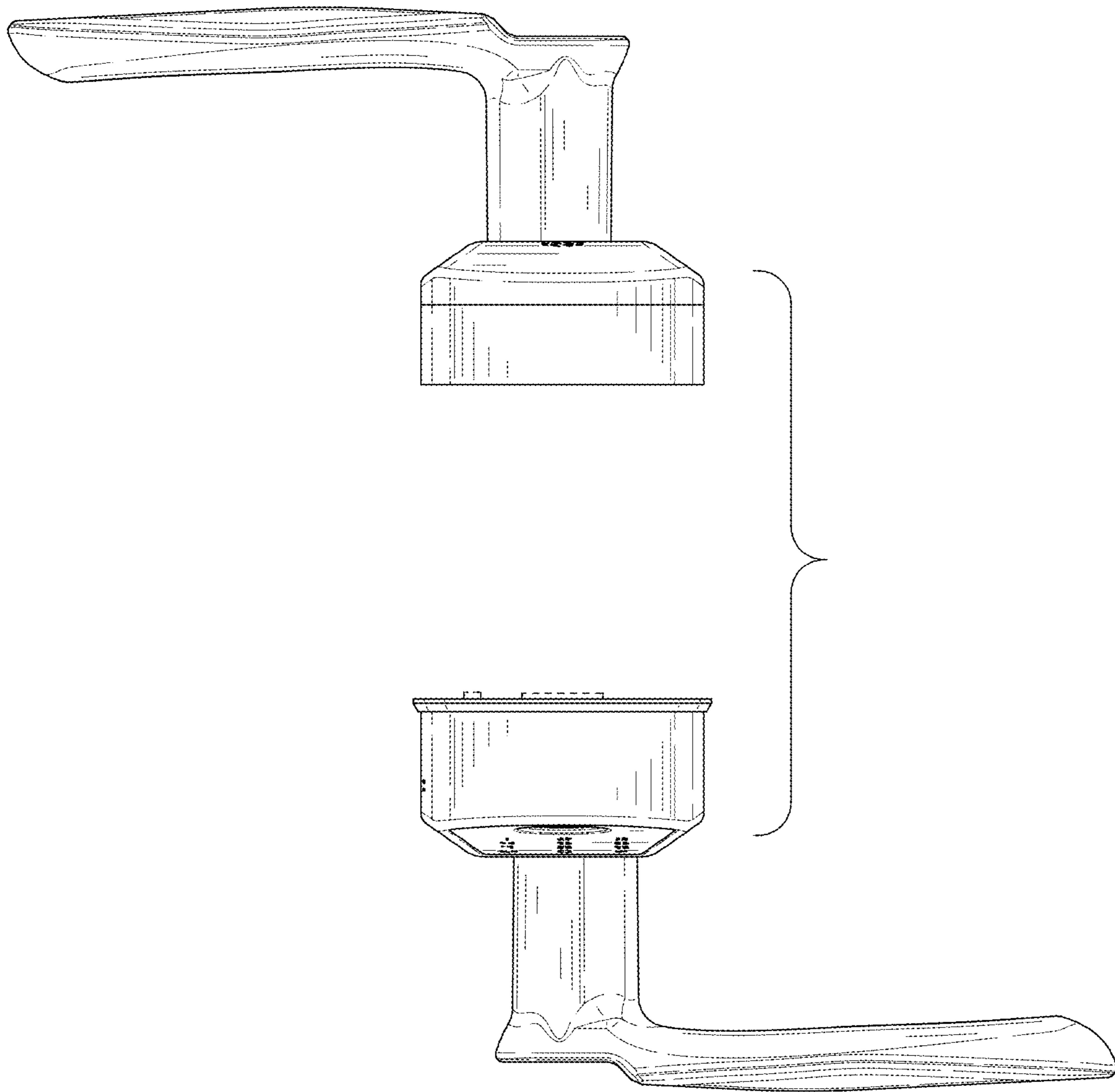


FIG. 7

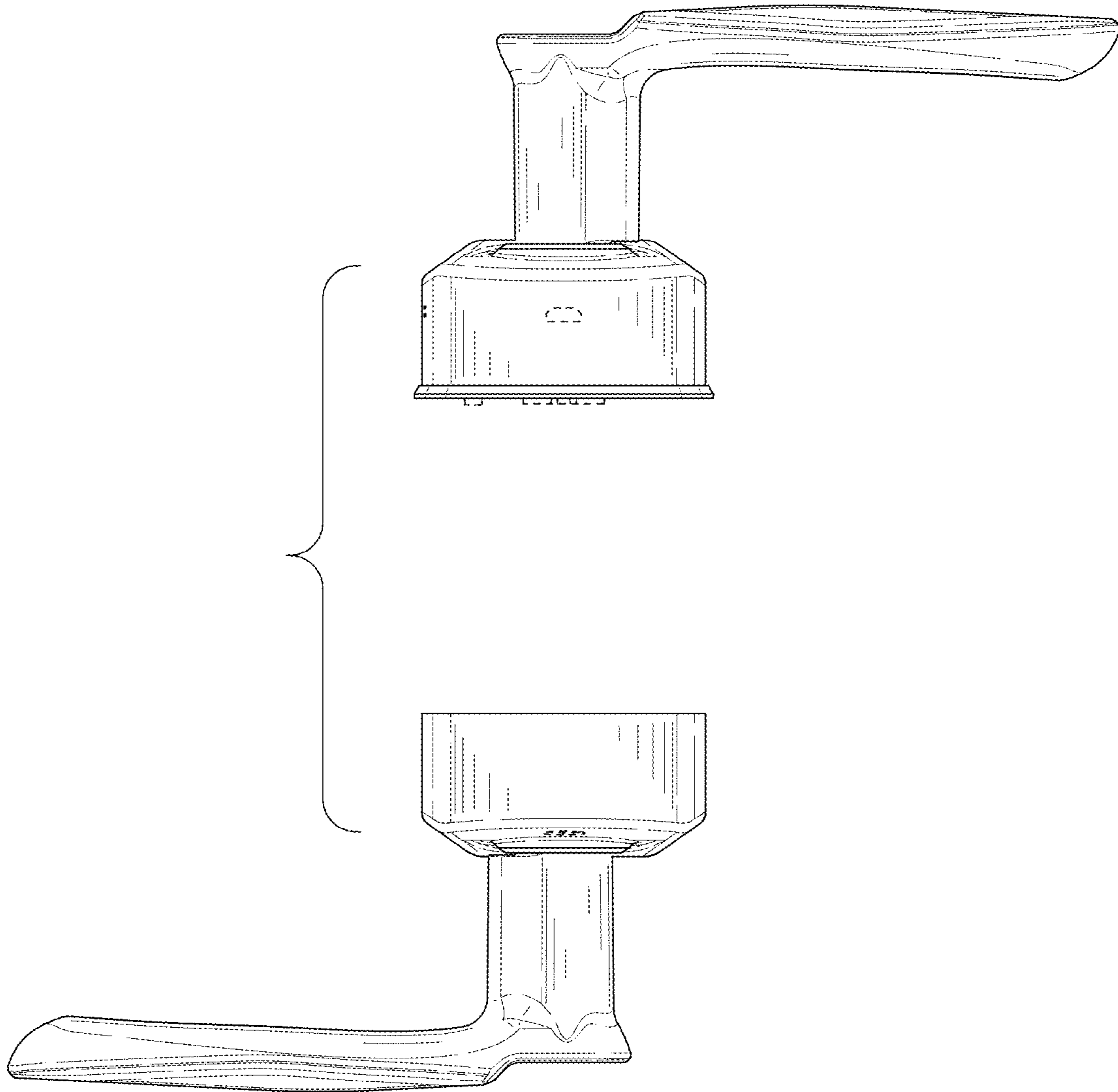


FIG. 8

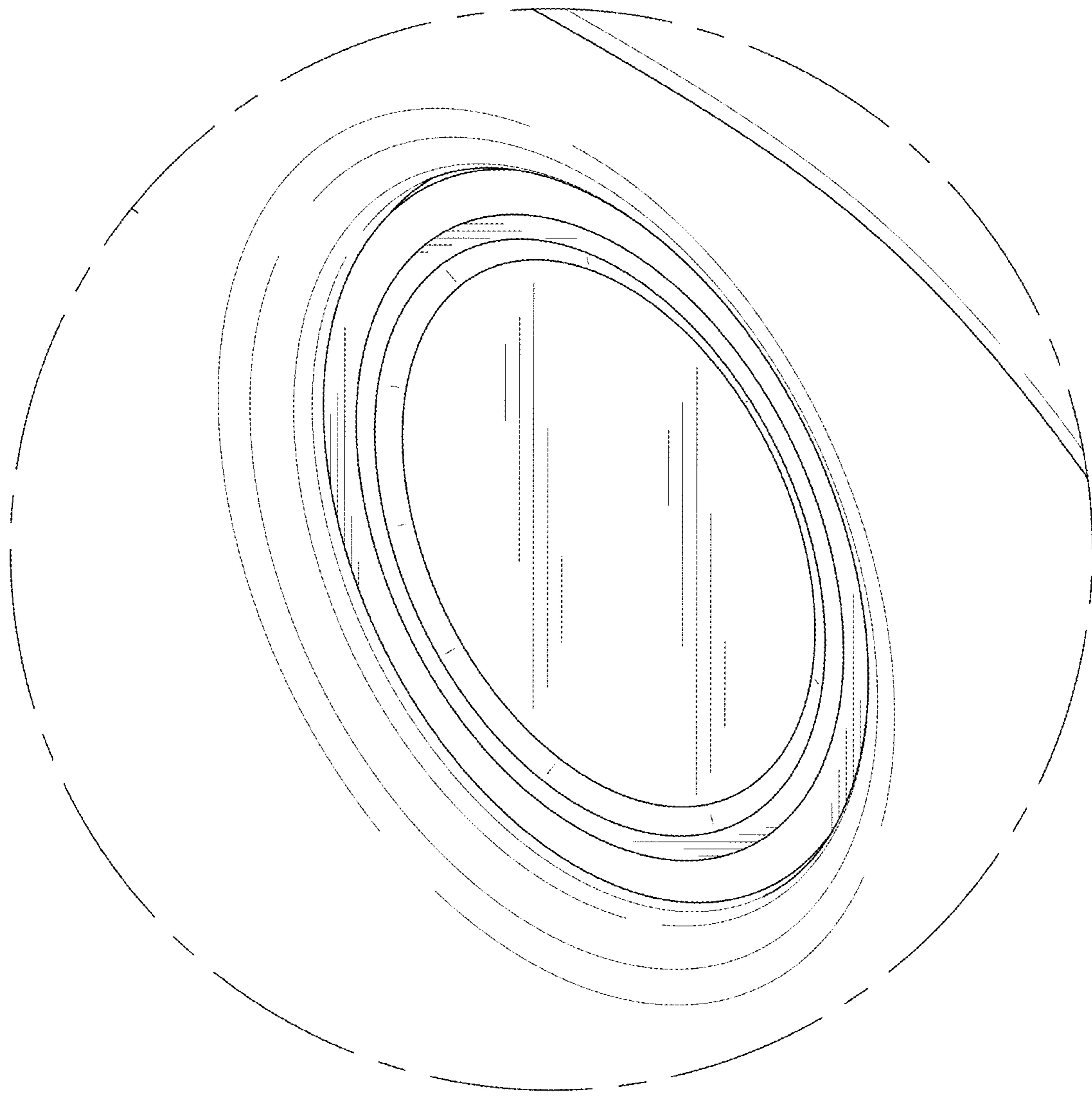


FIG. 9