



US00D978653S

(12) **United States Design Patent** (10) **Patent No.:** **US D978,653 S**  
**Li et al.** (45) **Date of Patent:** **\*\* Feb. 21, 2023**

(54) **HANDLE**  
(71) Applicant: **Keurig Green Mountain, Inc.**,  
Burlington, MA (US)  
(72) Inventors: **Weifeng Li**, Guangdong (CN); **Mario Liuzza**, Chelmsford, MA (US); **Poa Xuan Yeap**, Guangdong (CN)  
(73) Assignee: **Keurig Green Mountain, Inc.**,  
Burlington, MA (US)  
(\*\*) Term: **15 Years**  
(21) Appl. No.: **29/804,588**  
(22) Filed: **Aug. 20, 2021**  
(51) **LOC (14) Cl.** ..... **08-06**  
(52) **U.S. Cl.**  
USPC ..... **D8/313**; D8/321; D7/393; D7/397  
(58) **Field of Classification Search**  
USPC ..... D8/300, 303, 306, 307, 308, 311, 313,  
D8/314, 321; D7/393-395, 397, 399  
CPC . Y10T 74/20828; Y10T 16/476; Y10T 16/44;  
Y10T 292/57; Y10T 74/2087; Y10S  
16/12; Y10S 16/19; Y10S 16/30; Y10S  
16/90; B25G 1/102; B25G 1/10; A47J  
31/407; A47J 31/4407; A47J 31/44  
See application file for complete search history.

(56) **References Cited**  
U.S. PATENT DOCUMENTS  
D118,506 S \* 1/1940 Reinecke et al. .... D7/393  
D118,507 S \* 1/1940 Reinecke et al. .... D7/393  
D126,567 S \* 4/1941 Borchers ..... D8/314  
D161,643 S 1/1951 Prescott  
D172,206 S \* 5/1954 Anderson ..... D8/DIG. 1  
D174,223 S \* 3/1955 Howie ..... D7/393  
D181,721 S 12/1957 Fletcher et al.

D181,778 S \* 12/1957 Boldt ..... D7/393  
3,091,488 A 5/1963 Vander et al.  
D367,215 S 2/1996 Jones  
5,618,067 A 4/1997 Carlson et al.  
D385,339 S 10/1997 Jones et al.  
6,155,615 A 12/2000 Schultz  
D453,898 S 2/2002 Barnes et al.  
D456,688 S 5/2002 Polowinczak et al.  
D501,784 S 2/2005 Tibbenham et al.  
D520,341 S 5/2006 Eenigenburg  
D550,499 S 11/2007 Argabrite et al.  
D565,178 S 3/2008 Tanaka  
D584,131 S 1/2009 Roberts  
D616,720 S 6/2010 Aruga et al.  
D628,802 S \* 12/2010 Kraemer ..... D3/318  
D644,958 S 9/2011 Blackford et al.  
D663,158 S 7/2012 Jacquet et al.  
D674,233 S 1/2013 Lavy et al.  
D680,849 S 4/2013 Berger et al.

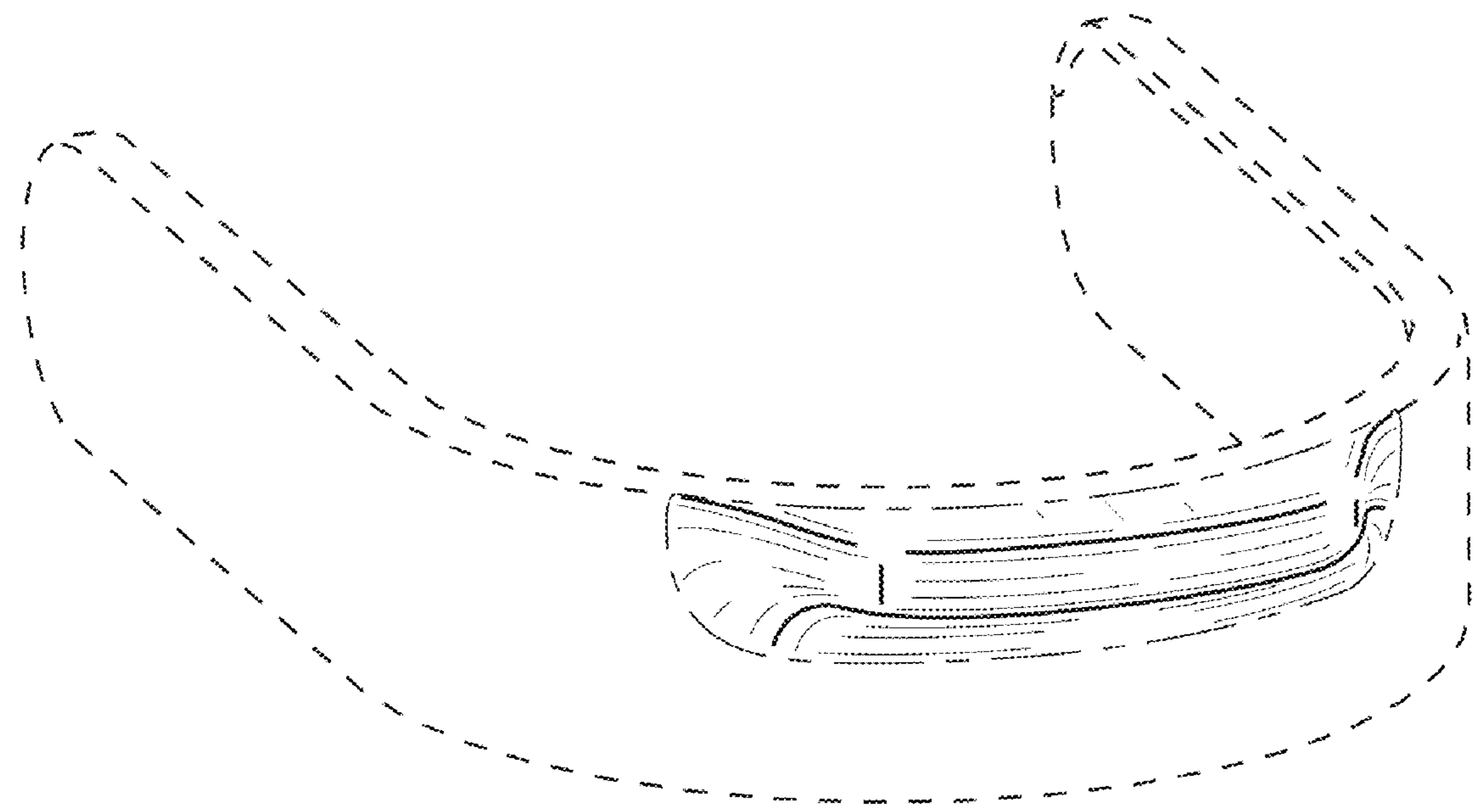
(Continued)

*Primary Examiner* — Lauren R Calve  
(74) *Attorney, Agent, or Firm* — Wolf, Greenfield & Sacks, P.C.

(57) **CLAIM**  
The ornamental design for a handle, as shown and described.

**DESCRIPTION**  
FIG. 1 is a top, front, left side perspective view of a handle;  
FIG. 2 is a front elevation view thereof;  
FIG. 3 is a rear elevation view thereof;  
FIG. 4 is a left side elevation view thereof;  
FIG. 5 is a right side elevation view thereof;  
FIG. 6 is a top plan view thereof; and,  
FIG. 7 is a bottom plan view thereof.  
The short dash-long dash broken lines illustrate boundaries of the claimed design and form no part of the claimed design. The dash-dash broken lines illustrate portions of the handle that form no part of the claimed design.

**1 Claim, 3 Drawing Sheets**



(56)

References Cited

U.S. PATENT DOCUMENTS

D699,065	S	2/2014	Bucher et al.	
D704,525	S	5/2014	Coakley et al.	
D720,180	S	12/2014	Manly	
D752,383	S	3/2016	Zox	
D756,774	S	5/2016	McWilliams	
D779,910	S	2/2017	Paquette	
D842,677	S *	3/2019	Spray .....	D8/313
D843,797	S	3/2019	Joseph	
D854,364	S	7/2019	Fucci et al.	
D877,563	S	3/2020	Cauwood et al.	
D893,945	S *	8/2020	Cauwood .....	D7/397
D909,173	S *	2/2021	Sabberton .....	D7/393
D911,103	S	3/2021	Vogt	
D936,445	S	11/2021	Sabberton et al.	
2009/0265882	A1 *	10/2009	Rhea .....	A47L 7/0042 55/357
2011/0265658	A1	11/2011	Talon et al.	
2012/0216684	A1 *	8/2012	Gregory .....	A47J 43/287 99/324
2015/0173563	A1	6/2015	Priley et al.	
2015/0216350	A1	8/2015	Talon et al.	
2016/0256003	A1 *	9/2016	Altenritter .....	A47J 43/0716
2019/0212205	A1	7/2019	McColl	

\* cited by examiner

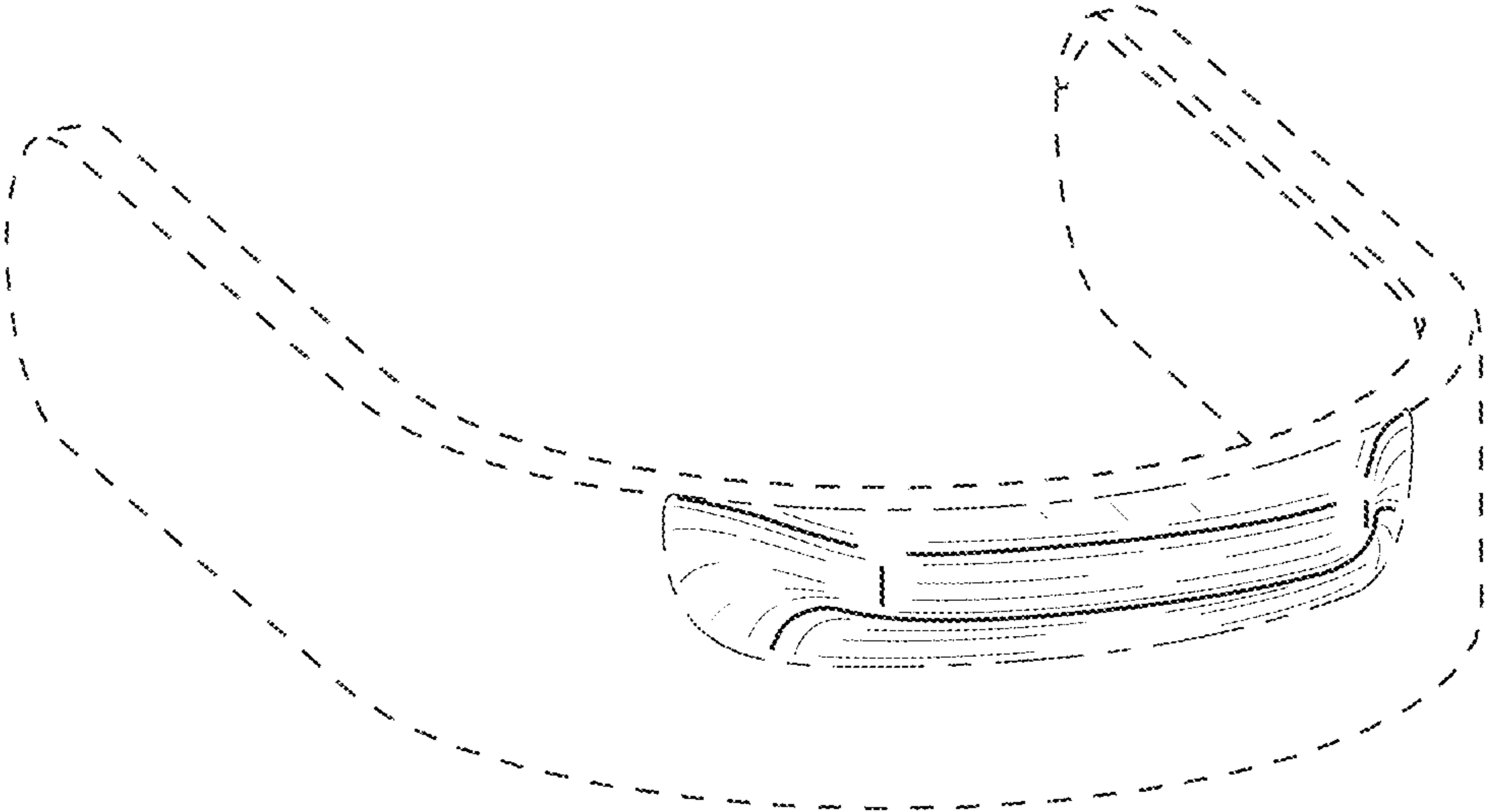


FIG. 1

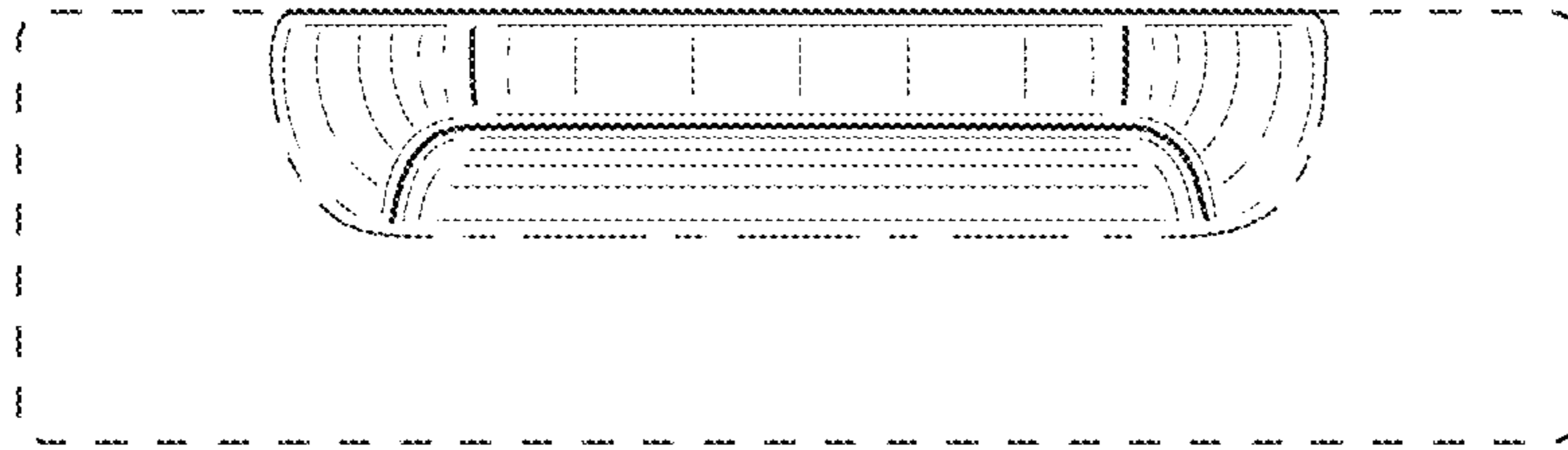


FIG. 2



FIG. 3



FIG. 4



FIG. 5

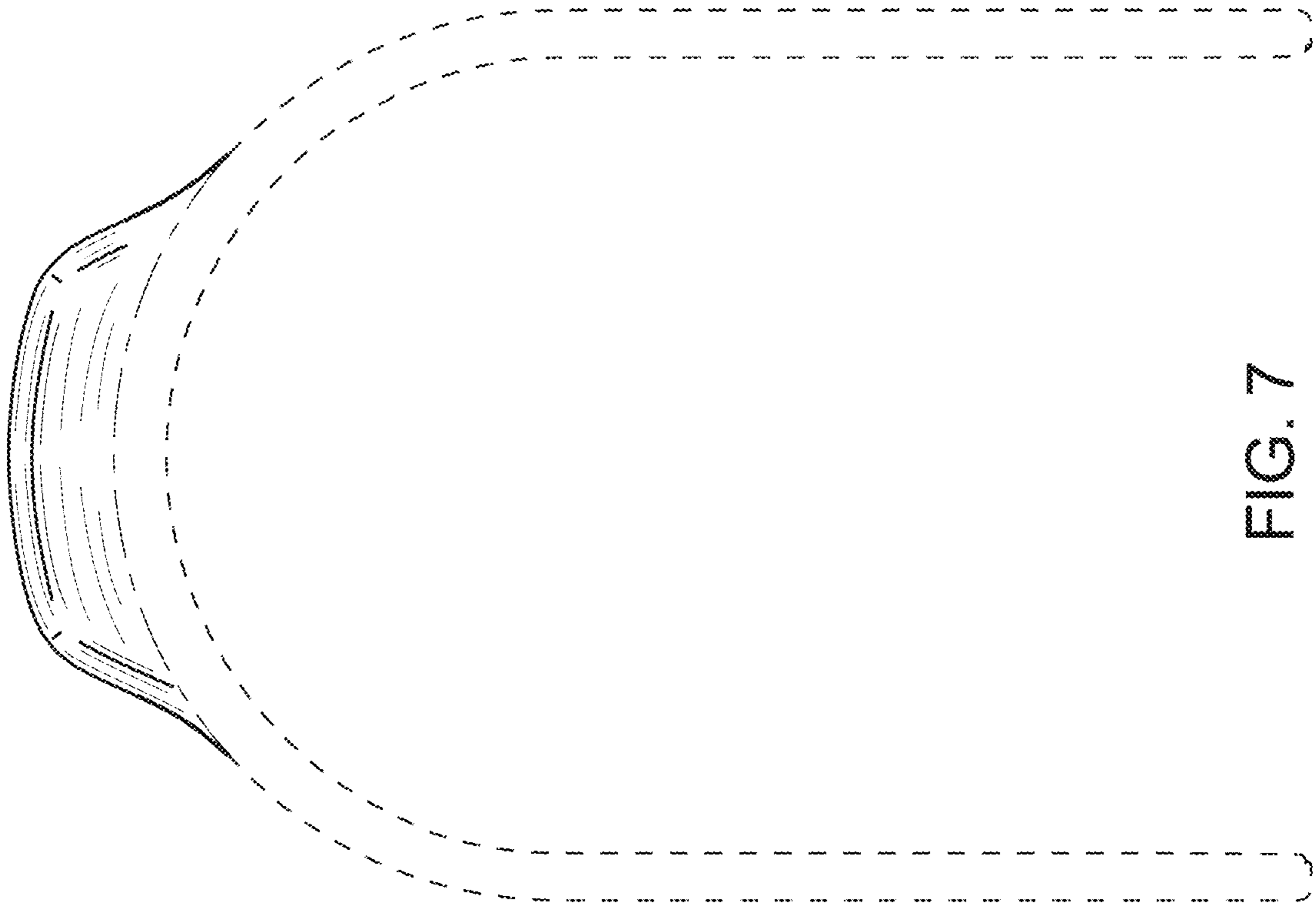


FIG. 7

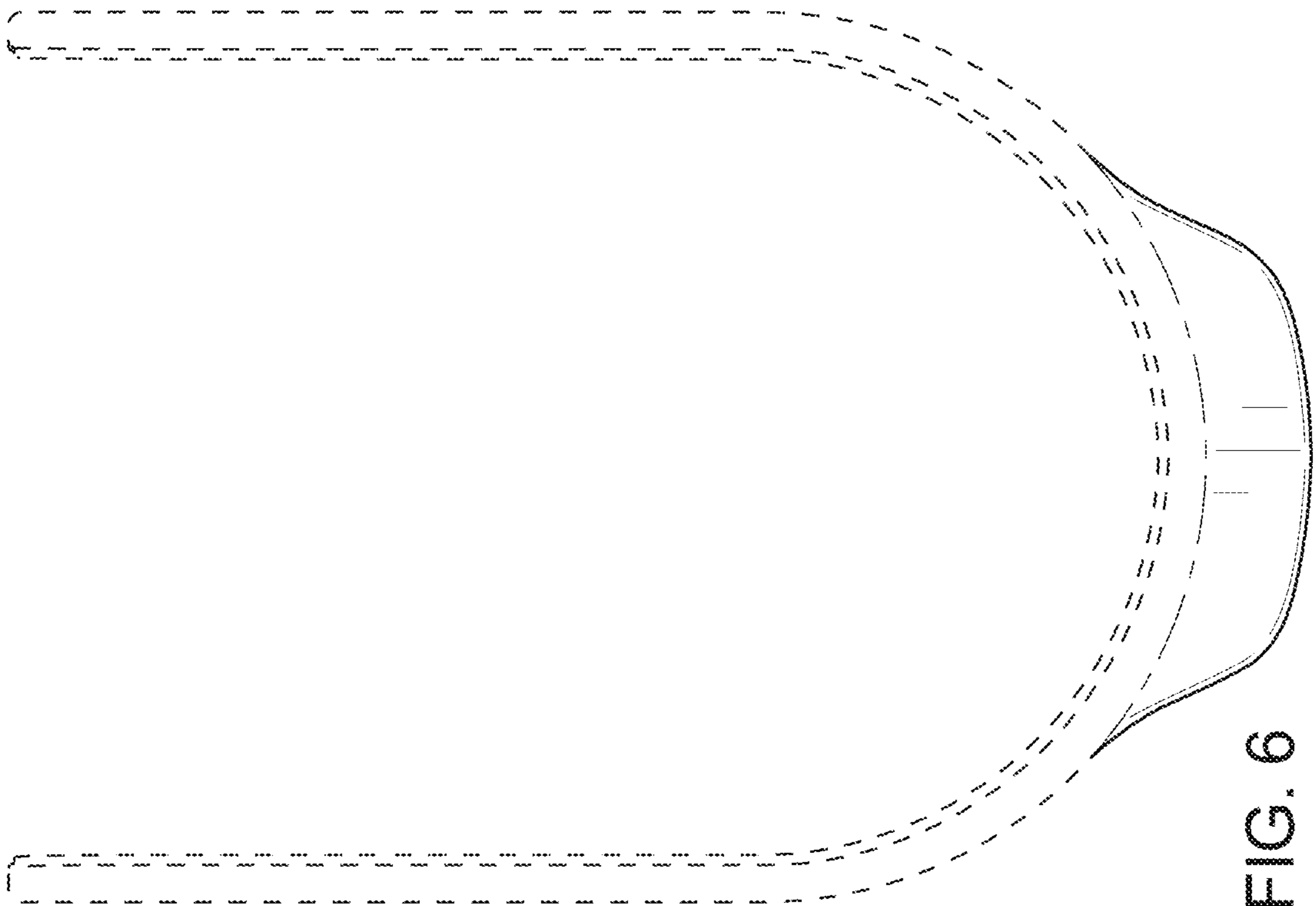


FIG. 6