



US00D978649S

(12) **United States Design Patent** (10) **Patent No.:** **US D978,649 S**  
**Su** (45) **Date of Patent:** **\*\* Feb. 21, 2023**

- (54) **ELECTRIC TOOL HANDLE**
- (71) Applicant: **Hong Ann Tool Industries Co., Ltd.,**  
Taichung (TW)
- (72) Inventor: **Cheng-Wei Su,** Taichung (TW)
- (73) Assignee: **Hong Ann Tool Industries Co., Ltd.,**  
Taichung (TW)
- (\*\*) Term: **15 Years**
- (21) Appl. No.: **29/768,747**
- (22) Filed: **Feb. 1, 2021**
- (51) **LOC (14) Cl.** ..... **08-04**
- (52) **U.S. Cl.**  
USPC ..... **D8/61; D8/107**
- (58) **Field of Classification Search**  
USPC .... D8/14, 61, 82, 83, 84, 85, 105, 107, 300,  
D8/303; D7/395; D4/138; D24/133  
CPC ..... B25G 1/10; B25G 1/102; B25G 1/105;  
B25B 15/02; B25B 15/04; B25B 15/06;  
B25B 1/025; B25B 1/005; B25B 1/085  
See application file for complete search history.

(56) **References Cited**

U.S. PATENT DOCUMENTS

D442,049 S *	5/2001	Shu	.....	D8/83
D454,770 S *	3/2002	Chang	.....	D8/83
D468,182 S *	1/2003	Thompson	.....	D8/83
D516,893 S *	3/2006	Kuo	.....	D8/83
D525,850 S *	8/2006	Huang	.....	D8/83
D585,261 S *	1/2009	Shih	.....	D8/83
D616,277 S *	5/2010	Molina	.....	D8/82
D617,170 S *	6/2010	Lai	.....	D8/107
D633,357 S *	3/2011	Garcia	.....	D8/83
D633,358 S *	3/2011	Deguglimo	.....	D8/83
D642,887 S *	8/2011	Good	.....	D8/83
D645,717 S *	9/2011	Ou	.....	D8/83

D778,703 S *	2/2017	Nelson	.....	D8/83
D859,119 S *	9/2019	Hyma	.....	D8/83
D880,265 S *	4/2020	Ruivivar	.....	D8/61
D889,227 S *	7/2020	Chen	.....	D8/61
D910,408 S *	2/2021	Lin	.....	B25G 1/105 D8/83
D916,573 S *	4/2021	Zhong	.....	D8/61
D919,403 S *	5/2021	Lin	.....	D8/107
D927,278 S *	8/2021	Zhong	.....	D8/61
D927,951 S *	8/2021	Haringer	.....	D8/61
D928,576 S *	8/2021	Lee	.....	D8/61
D930,450 S *	9/2021	Li	.....	D8/61
D946,375 S *	3/2022	Chen	.....	D8/107
D950,337 S *	5/2022	Zaß	.....	D8/61
D950,338 S *	5/2022	Yang	.....	D8/61
2010/0095812 A1 *	4/2010	Lai	.....	B25B 23/0042 81/438

(Continued)

Primary Examiner — Darlington Ly

(74) Attorney, Agent, or Firm — Alan D. Kamrath; Karin L. Williams; Mayer & Williams PC

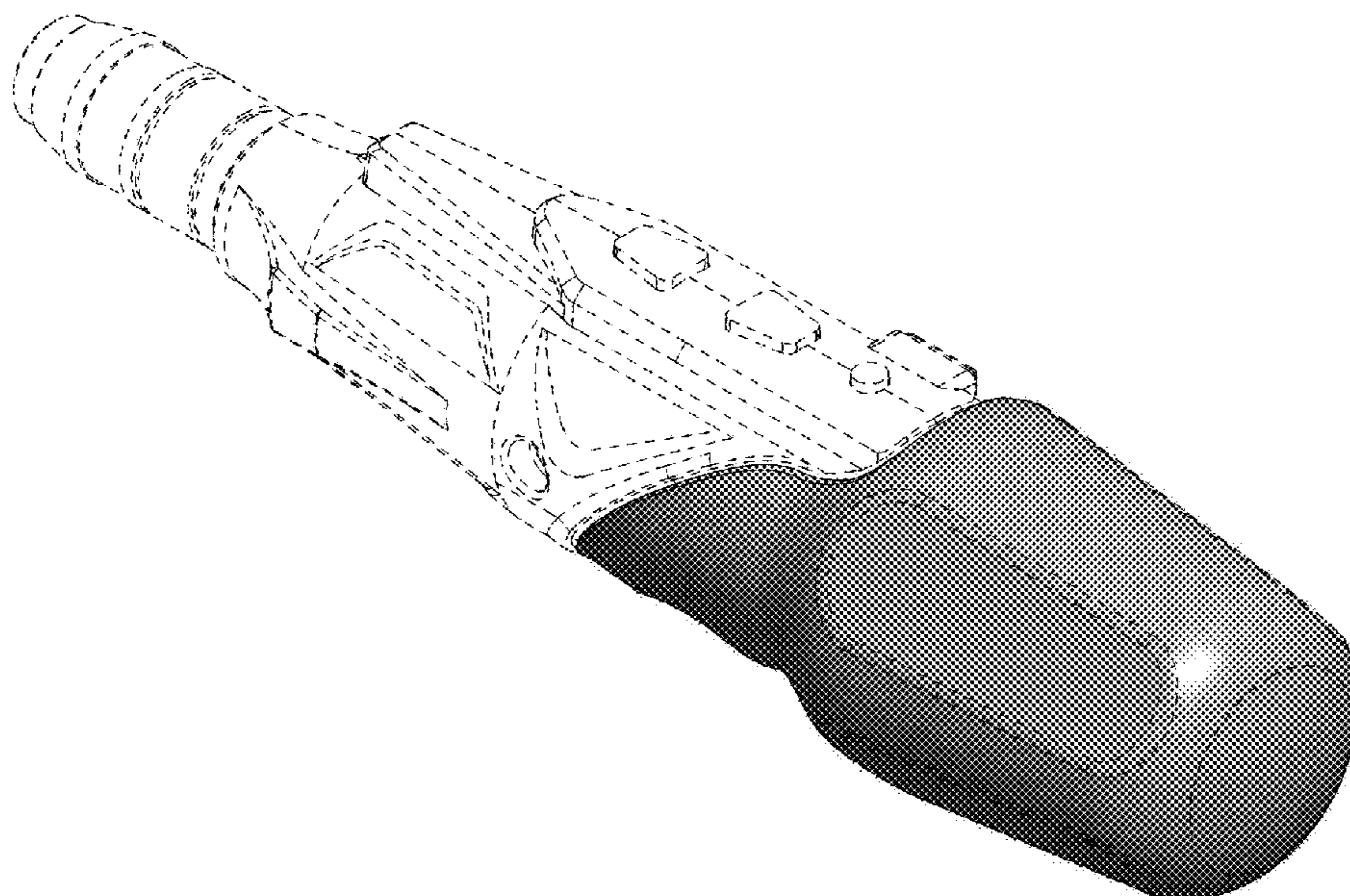
(57) **CLAIM**

The ornamental design for an electric tool handle, as shown and described.

**DESCRIPTION**

FIG. 1 is a top and left side perspective view of an electric tool handle embodying my new design; FIG. 2 is front elevation view thereof; FIG. 3 is a rear elevation view thereof; FIG. 4 is a left side elevation view thereof; FIG. 5 is a right side elevation view thereof; FIG. 6 is a top plan view thereof; FIG. 7 is a bottom plan view thereof; and, FIG. 8 is a bottom and right side perspective view thereof. The broken lines in the drawings illustrate portions of the electric tool handle and environmental electric tool that form no part of the claimed design.

**1 Claim, 8 Drawing Sheets**



(56)

**References Cited**

U.S. PATENT DOCUMENTS

2016/0052124 A1\* 2/2016 Lai ..... B25G 1/085  
81/438  
2017/0305008 A1\* 10/2017 Wang ..... B25G 1/102  
2019/0091850 A1\* 3/2019 Ou ..... B25G 1/105

\* cited by examiner



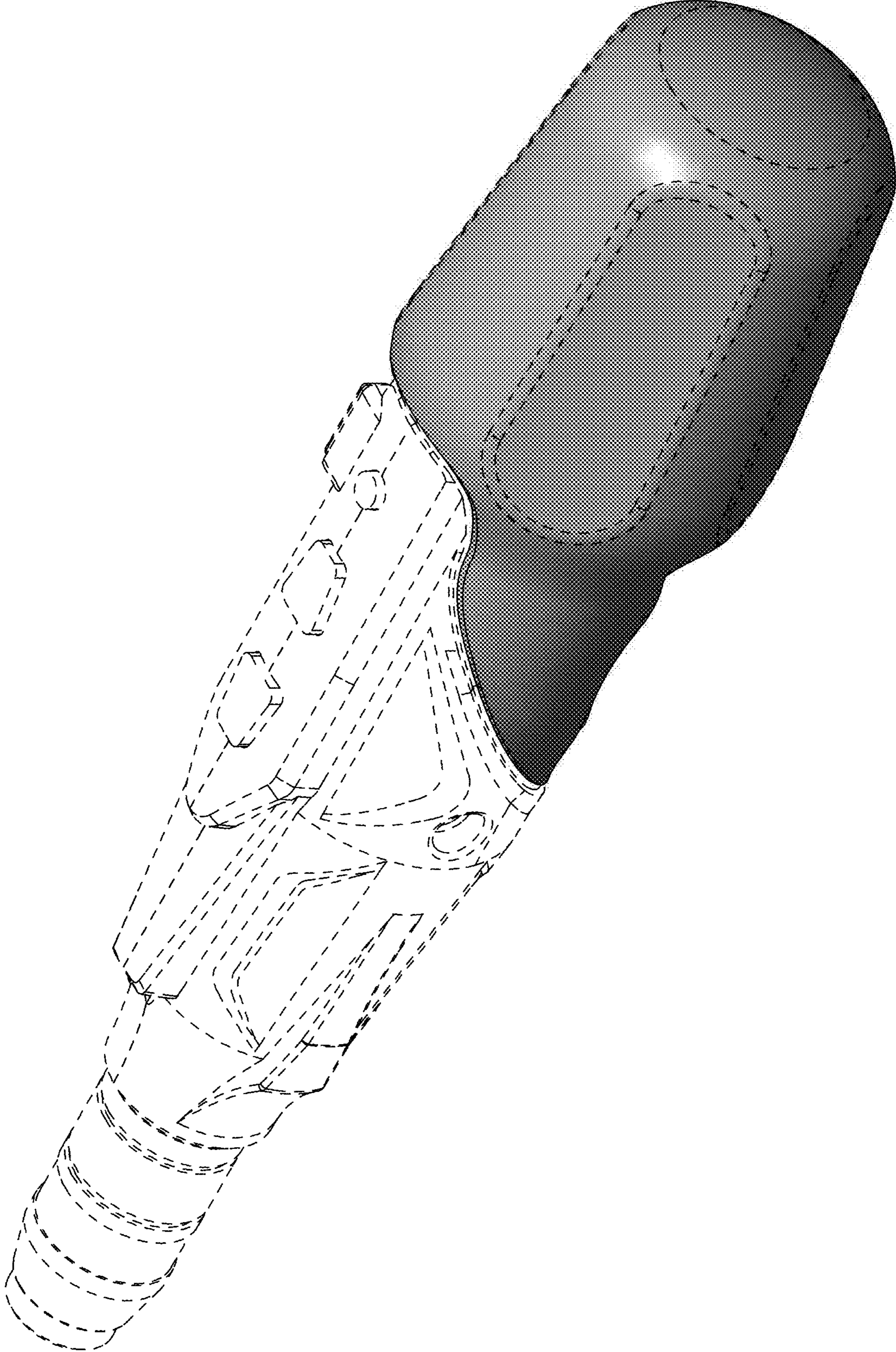


FIG. 1

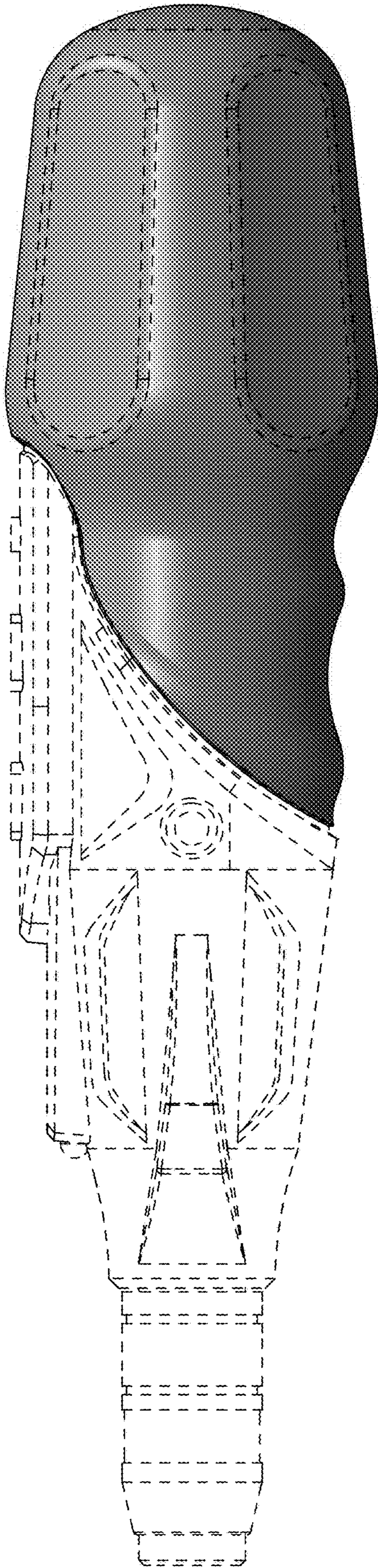


FIG. 2



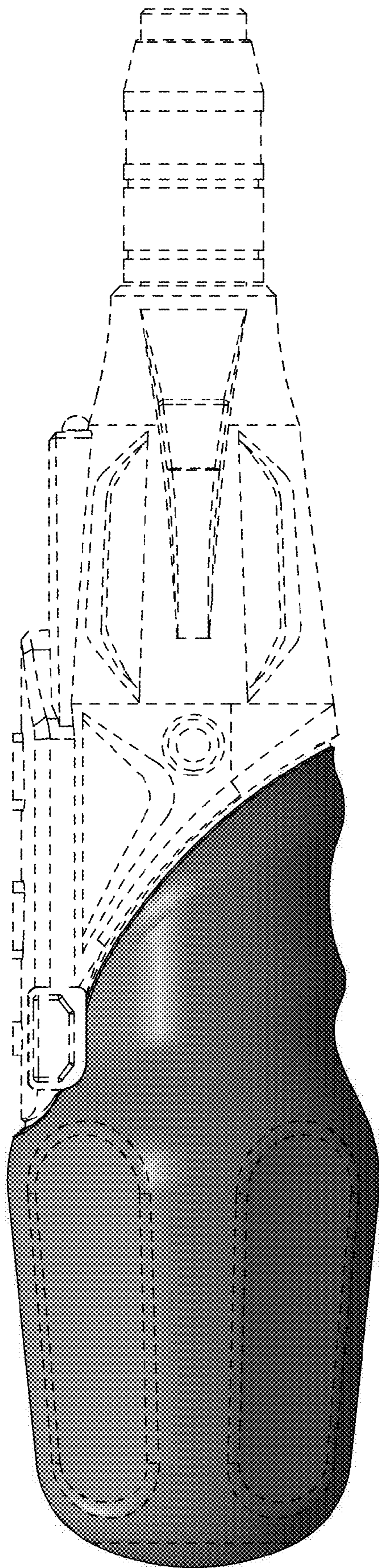


FIG. 3

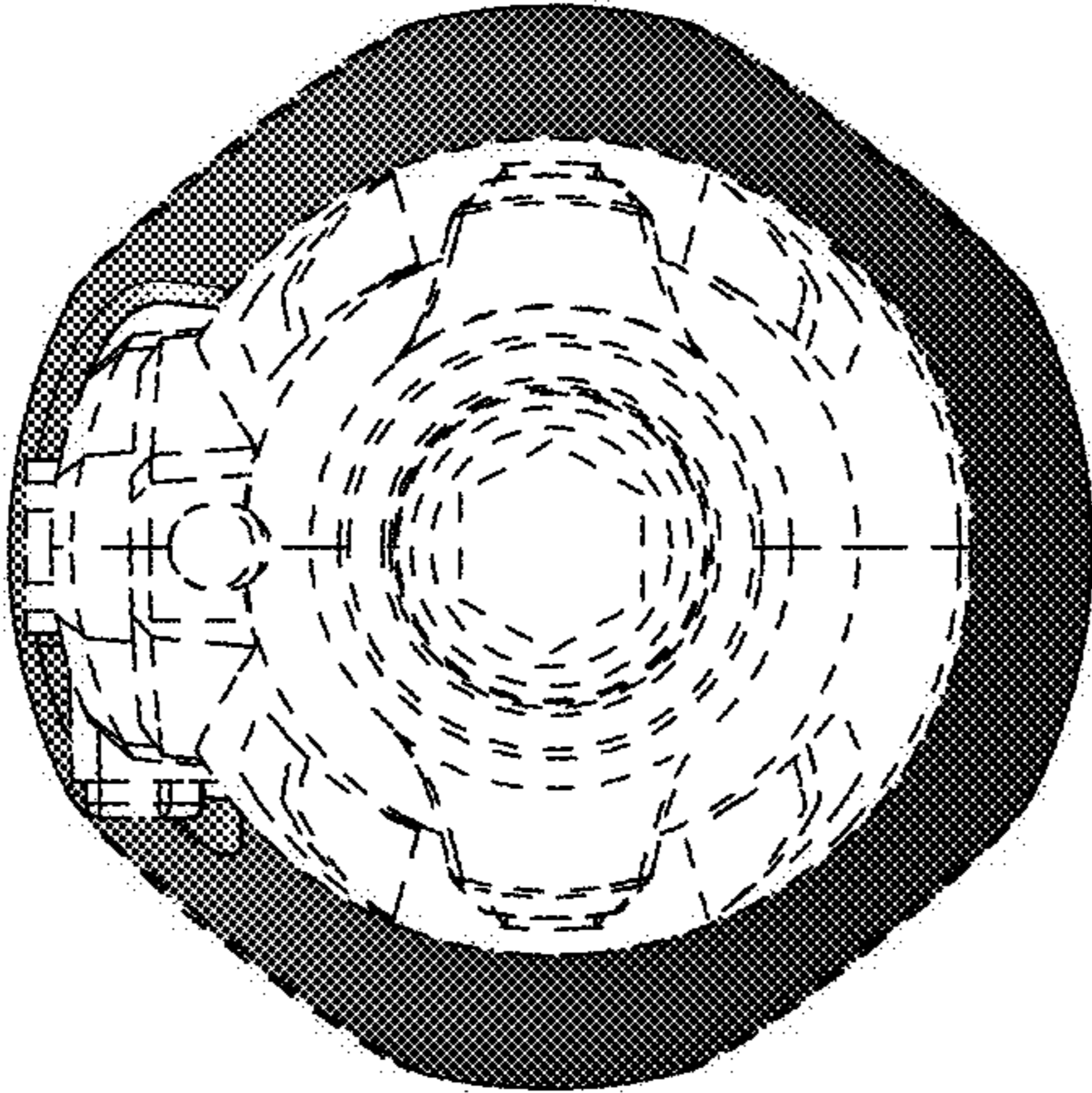


FIG. 4

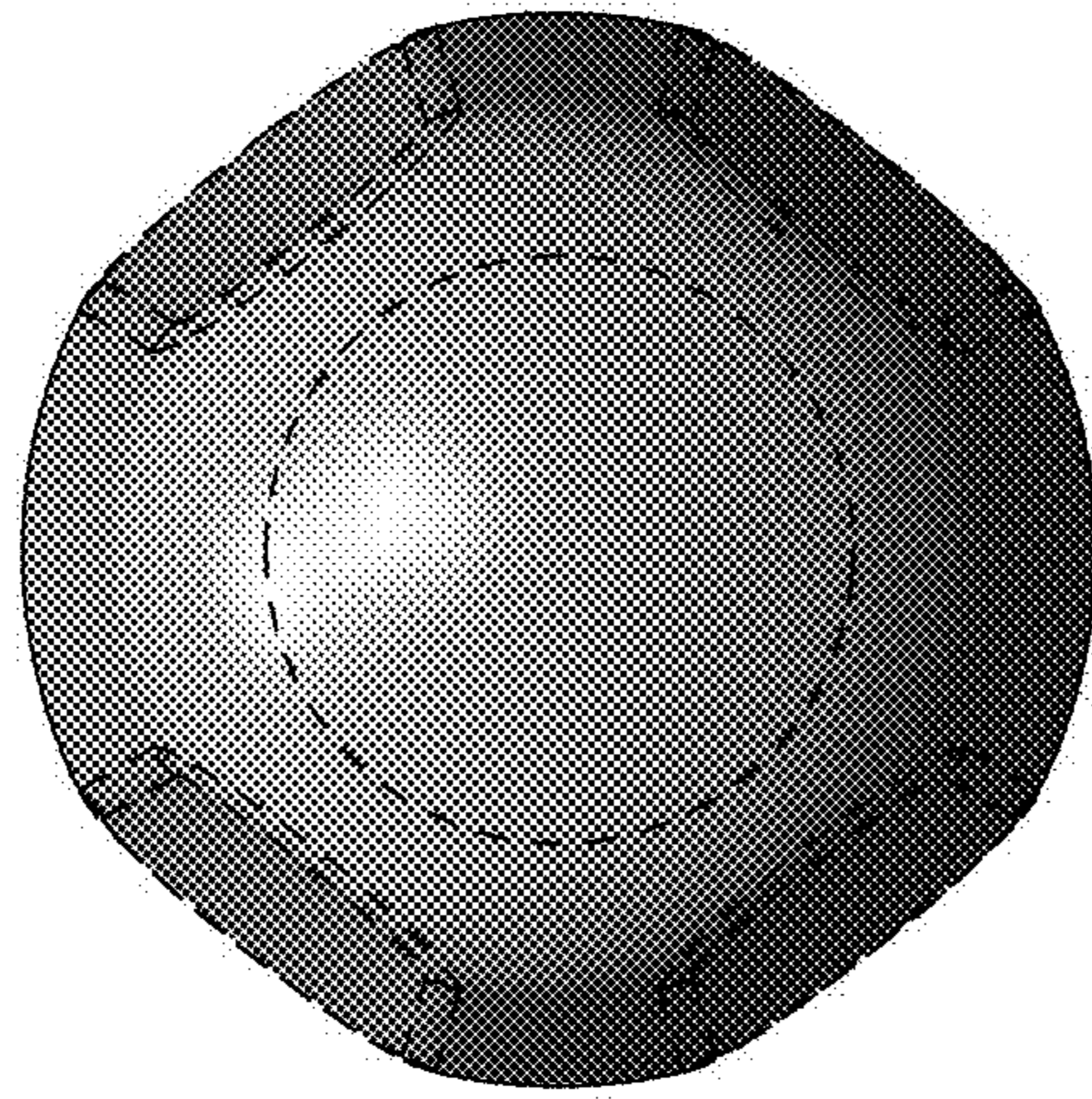


FIG. 5



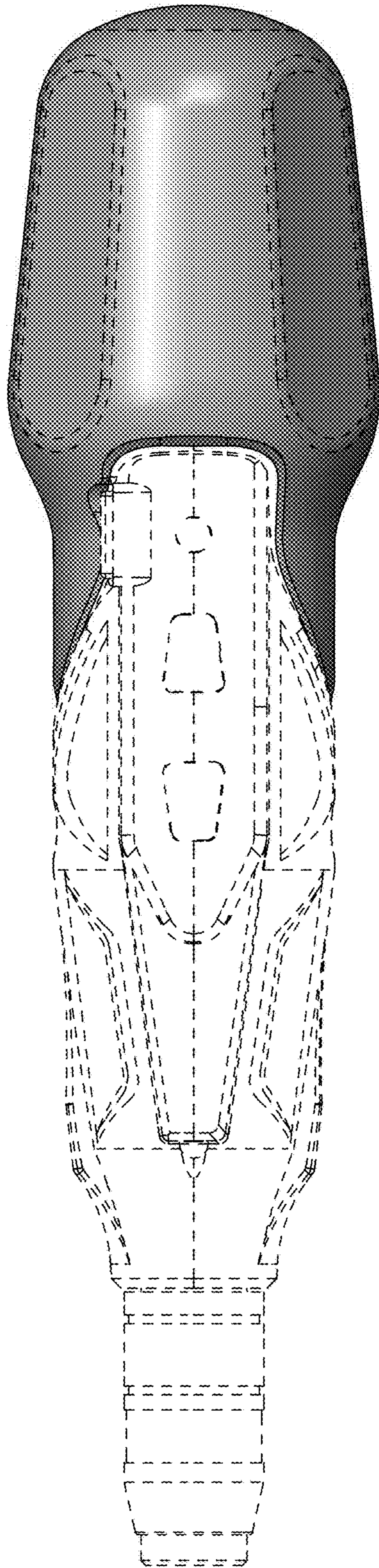


FIG. 6



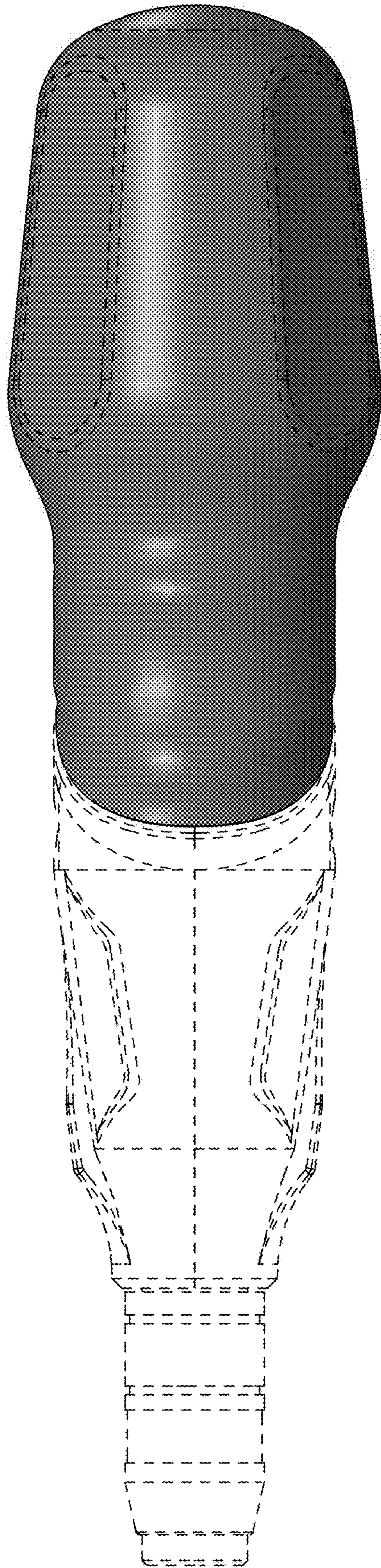


FIG. 7



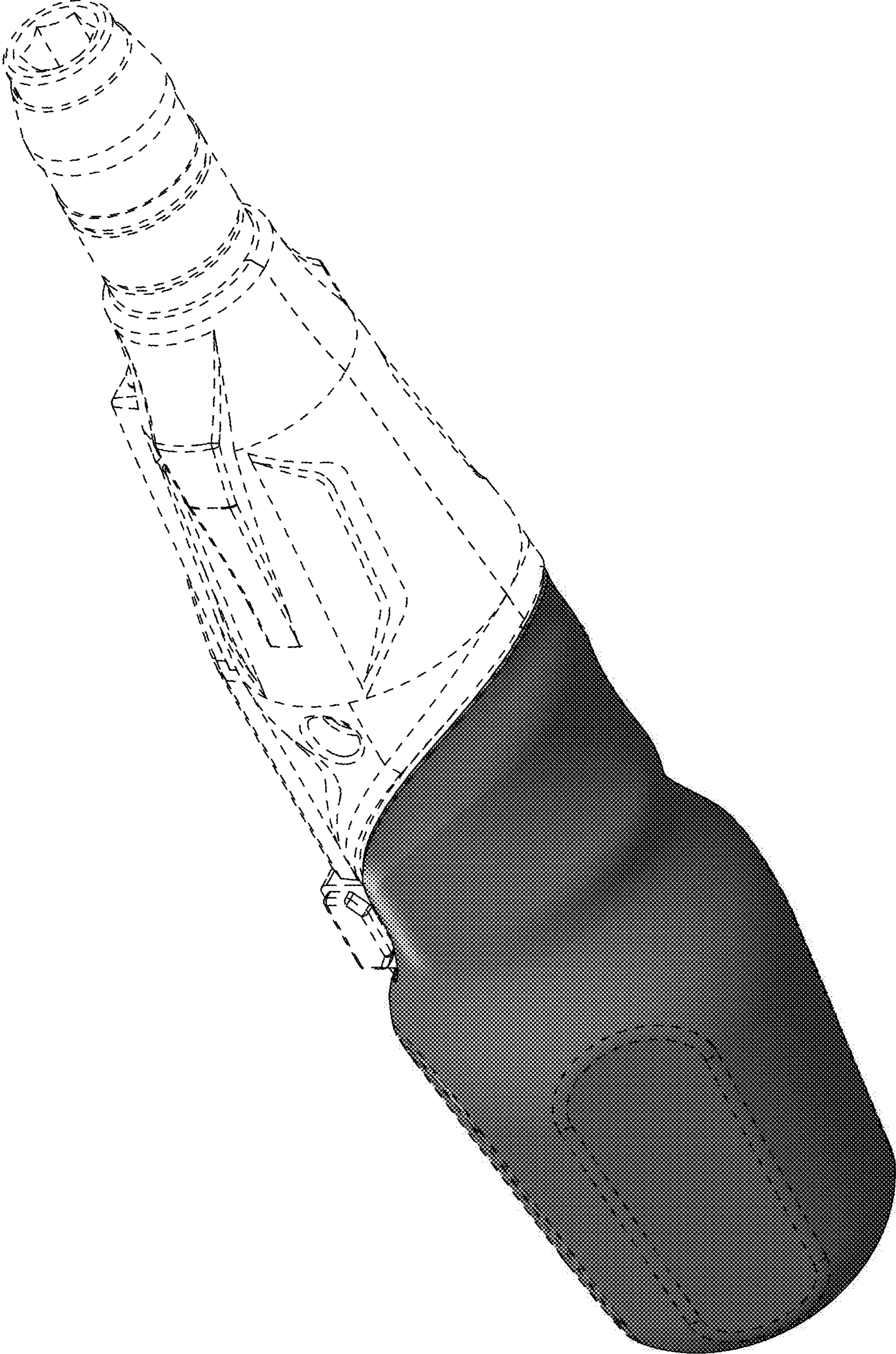


FIG. 8