



US00D978648S

(12) **United States Design Patent** (10) **Patent No.:** **US D978,648 S**  
**Tang** (45) **Date of Patent:** **\*\* Feb. 21, 2023**

(54) **PLIERS**  
(71) Applicant: **Shanghai Laoai Tools Co., Ltd.,**  
Shanghai (CN)  
(72) Inventor: **Yeyong Tang,** Shanghai (CN)  
(\*\*) Term: **15 Years**

2002/0124322 A1\* 9/2002 Montague ..... B25F 1/04  
7/128  
2003/0037644 A1\* 2/2003 Rivera ..... B25F 1/003  
81/440  
2006/0032344 A1\* 2/2006 Hernandez ..... B25B 7/04  
81/305  
2015/0062876 A1\* 3/2015 Brauner ..... B25B 7/22  
362/119

(Continued)

(21) Appl. No.: **29/775,511**  
(22) Filed: **Mar. 24, 2021**

**FOREIGN PATENT DOCUMENTS**

CN 306913085 \* 11/2021  
EM 008431597-0001 \* 2/2021

(30) **Foreign Application Priority Data**

Feb. 10, 2021 (EM) ..... 008431597

**OTHER PUBLICATIONS**

(51) **LOC (14) Cl.** ..... **08-05**  
(52) **U.S. Cl.**  
USPC ..... **D8/52**

Mini long nose plier with spring, Google.com, [online], [site visited Jun. 2, 2022], Available from internet URL: <https://amtechdiy.com/product/mini-long-nose-plier-with-spring/> (Year: NA).\*

(Continued)

(58) **Field of Classification Search**  
USPC ..... D8/34, 55, 51, 52, 21-26, 75, 105-107;  
D24/107  
CPC ..... B25B 7/02; B25B 25/005; B25B 7/123;  
F15L 33/03; H02G 1/12; H02G 1/1204;  
B25F 1/003; B26B 13/16  
See application file for complete search history.

*Primary Examiner* — Michael A. Pratt  
(74) *Attorney, Agent, or Firm* — Prakash Nama; Global IP Services, PLLC

(56) **References Cited**

(57) **CLAIM**

The ornamental design for a pliers, as shown and described.

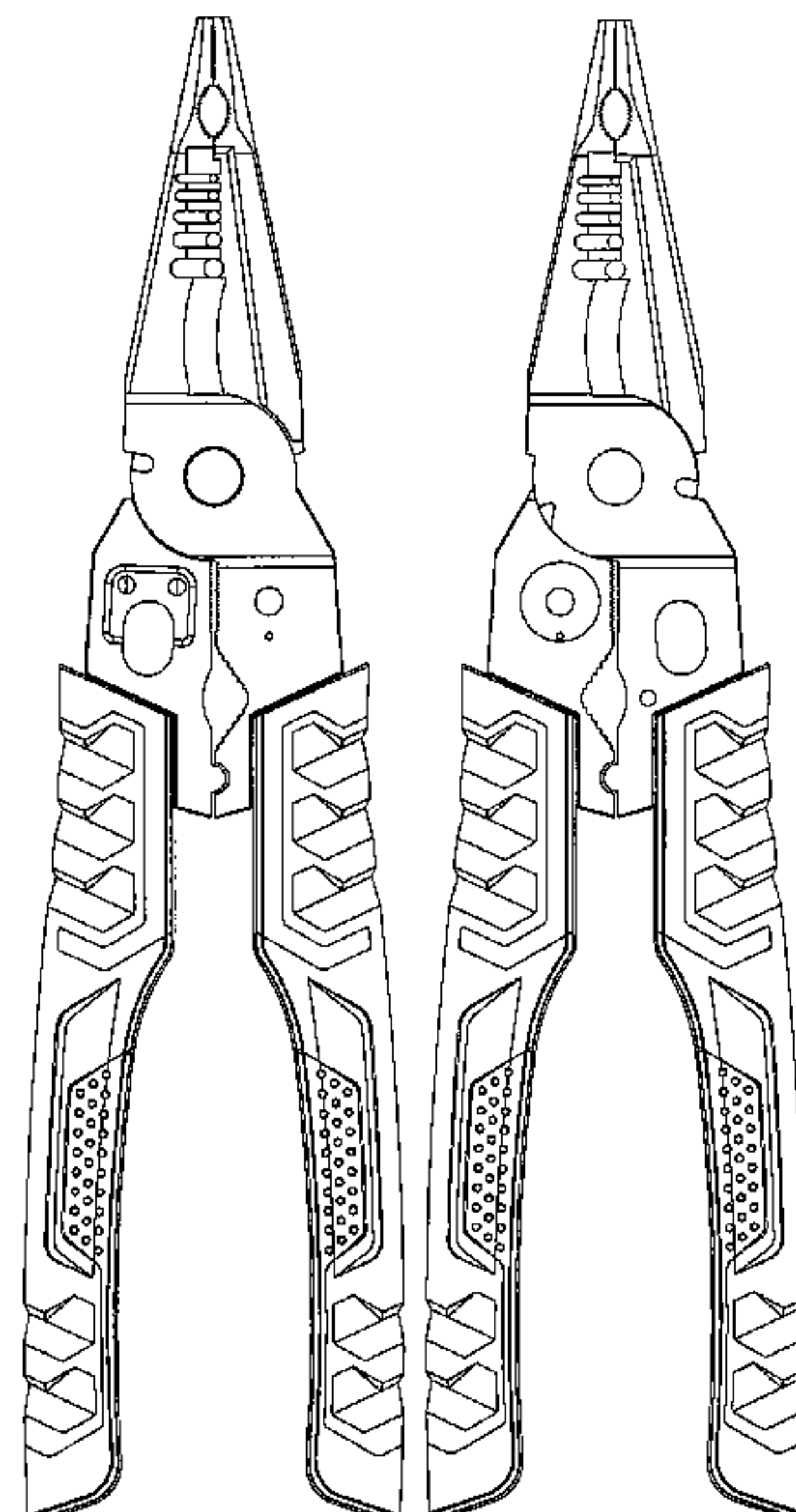
**U.S. PATENT DOCUMENTS**

**DESCRIPTION**

D218,141 S \* 7/1970 Neff ..... D8/58  
D368,634 S \* 4/1996 Frazer ..... D8/55  
D369,534 S \* 5/1996 Liou ..... D8/55  
D407,286 S \* 3/1999 Seber ..... D8/55  
D414,092 S \* 9/1999 Chang ..... D8/55  
D421,376 S \* 3/2000 Neff ..... D8/58  
D486,715 S \* 2/2004 Ping ..... D8/55  
D654,344 S \* 2/2012 Rivera ..... D8/107  
D732,915 S \* 6/2015 Mandic ..... D8/52  
D801,771 S \* 11/2017 Wu ..... D8/52  
D950,336 S \* 5/2022 Chen ..... D8/55  
2002/0023302 A1\* 2/2002 Montague ..... B26B 17/00  
7/128

FIG. 1 is a front elevational view of a pliers showing my new design;  
FIG. 2 is a rear elevational view thereof;  
FIG. 3 is a left side view thereof;  
FIG. 4 is a right side view thereof;  
FIG. 5 is a perspective view thereof; and,  
FIG. 6 is another perspective view thereof.  
The broken lines depict portions of the pliers that form no part of the claimed design.

**1 Claim, 6 Drawing Sheets**



(56)

**References Cited**

U.S. PATENT DOCUMENTS

2015/0196998 A1\* 7/2015 Crawford ..... F21L 4/00  
362/119

OTHER PUBLICATIONS

Klein Tools J207-8CR All-Purpose Pliers with Crimper, Google.com, [online], [site visited Jun. 2, 2022], Available from internet URL: <https://www.ebay.com/p/14017658046?iid=284826852671> (Year: NA).\*

\* cited by examiner

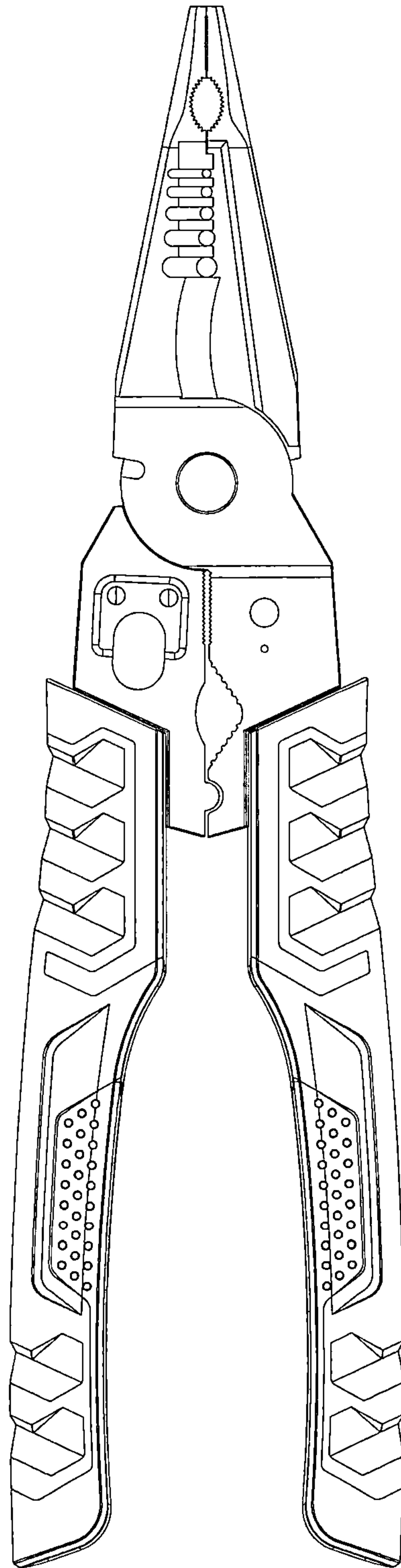


FIG.1

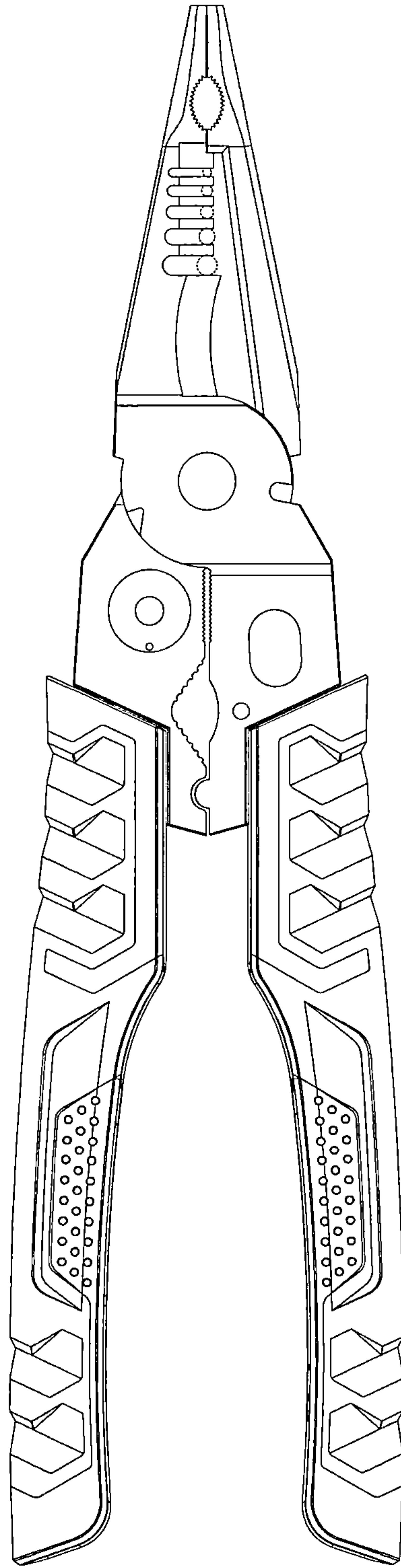


FIG.2

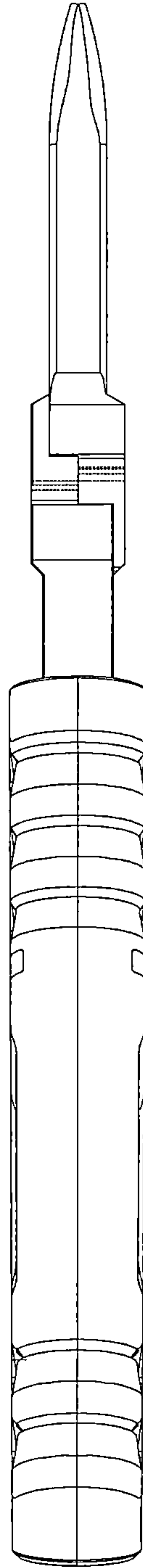


FIG.3

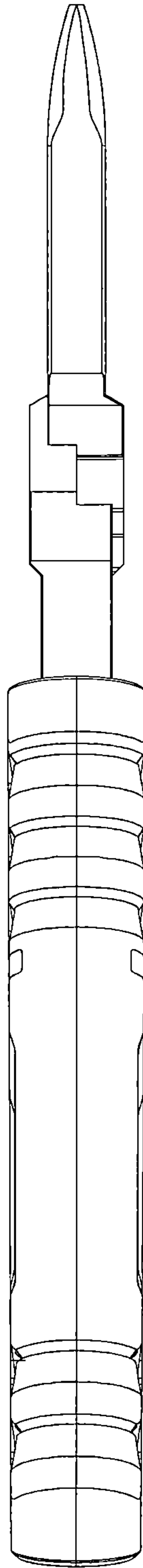


FIG.4

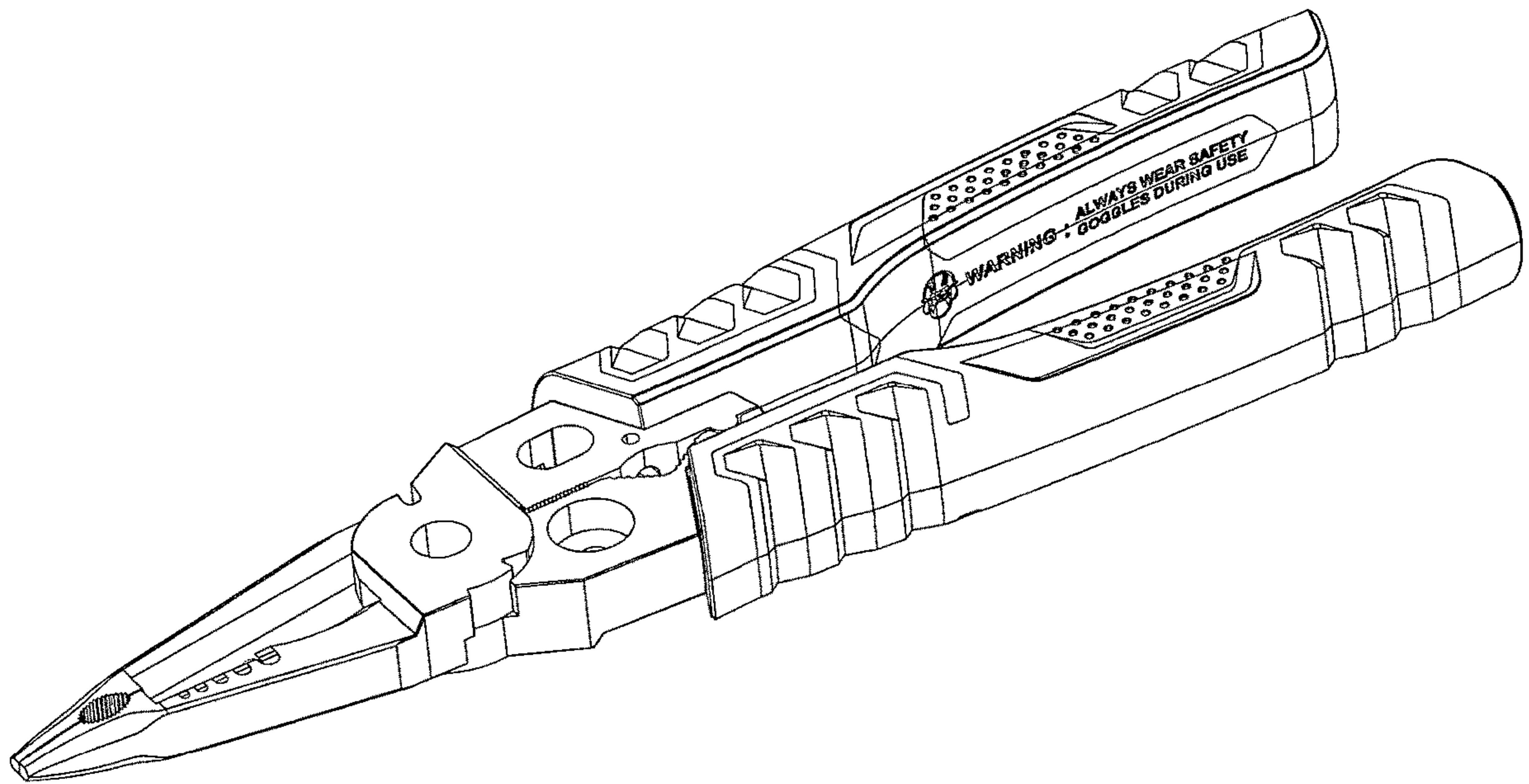


FIG.5



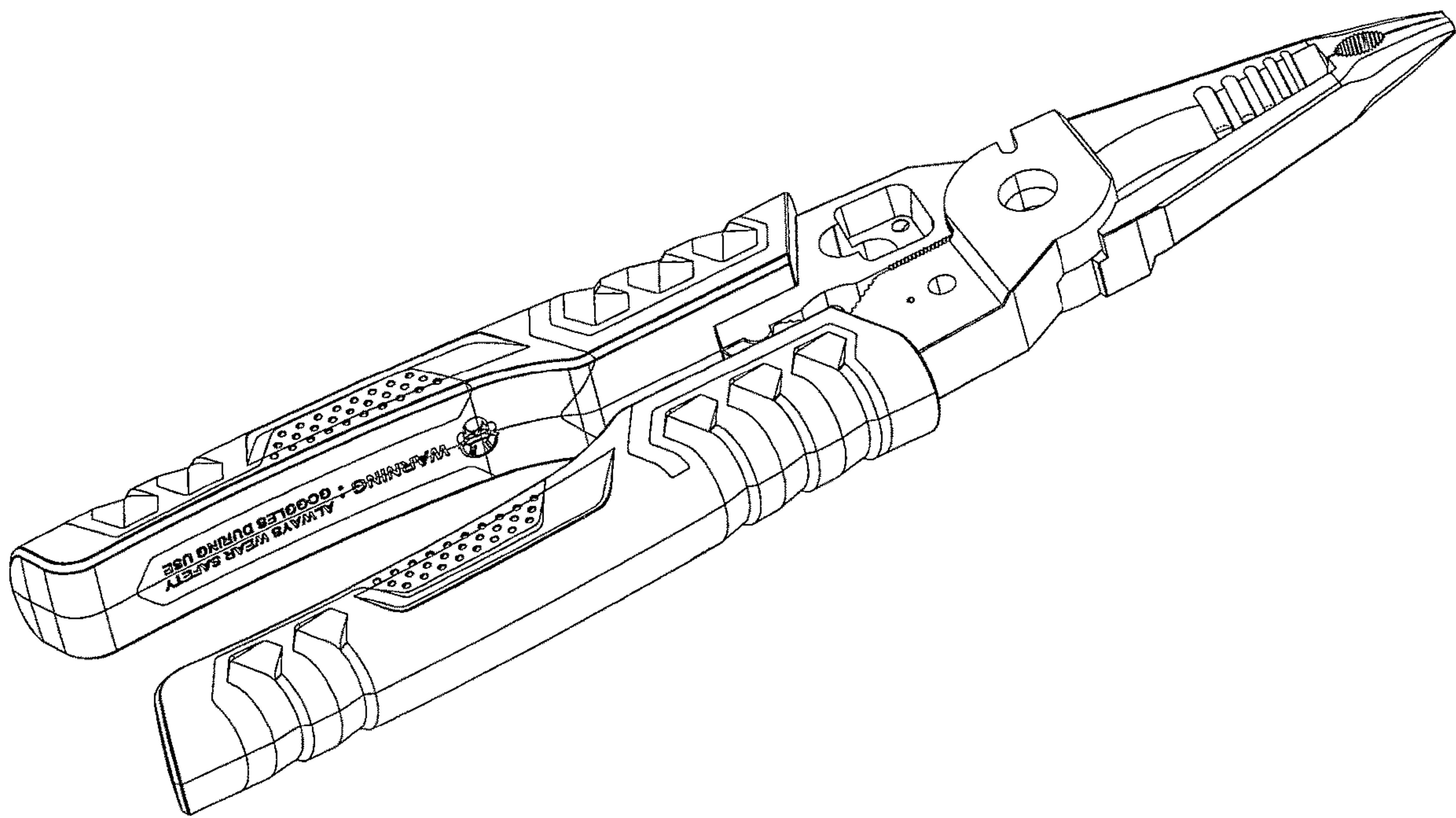


FIG.6